



US00D423039S

United States Patent [19] Cox

[11] **Patent Number: Des. 423,039**

[45] **Date of Patent: ** Apr. 18, 2000**

[54] **PUNCHING AND BINDING MACHINE**

[75] Inventor: **Scott Cox**, Warwick, United Kingdom

[73] Assignee: **Acco UK Limited**, United Kingdom

[**] Term: **14 Years**

[21] Appl. No.: **29/088,925**

[22] Filed: **Jun. 3, 1998**

[30] **Foreign Application Priority Data**

Apr. 12, 1997 [GB] United Kingdom 2070906

[51] **LOC (6) Cl.** **18-04**

[52] **U.S. Cl.** **D18/34**

[58] **Field of Search** D18/34; D15/128;
412/16, 39-40, 900, 37, 7, 33, 34, 38, 43;
156/908; 281/21.1, 27.2, 28

[56] **References Cited**

U.S. PATENT DOCUMENTS

D. 284,870 7/1986 Terracciano D18/34

D. 359,065	6/1995	Cox	D18/34
D. 369,179	4/1996	Botta et al.	D18/34
2,820,974	1/1958	Hodge	412/37
4,906,157	3/1990	Todaro et al.	412/43
5,211,522	5/1993	Ho	412/16

Primary Examiner—Louis S. Zarfes
Assistant Examiner—Gregory Andoll
Attorney, Agent, or Firm—Kirschstein, et al.

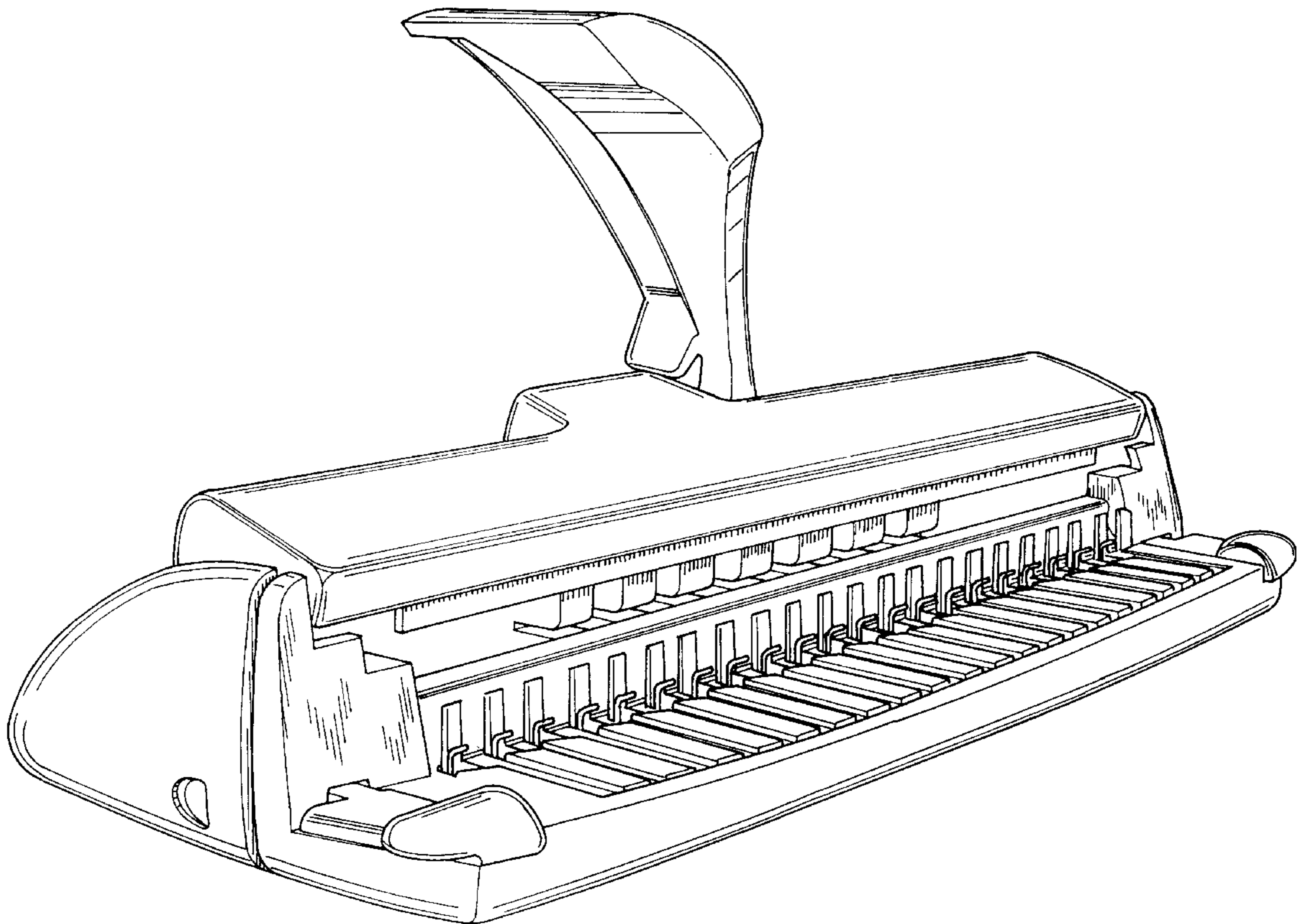
[57] **CLAIM**

The ornamental design for a punching and binding machine, as shown and described.

DESCRIPTION

FIG. 1 is a front, top and left side, perspective view of a punching and binding machine in one operative position according to my design;
FIG. 2 is a top plan view thereof;
FIG. 3 is a rear, bottom and right side, perspective view thereof; and,
FIG. 4 is a view analogous to FIG. 1, but in another operative position.

1 Claim, 4 Drawing Sheets



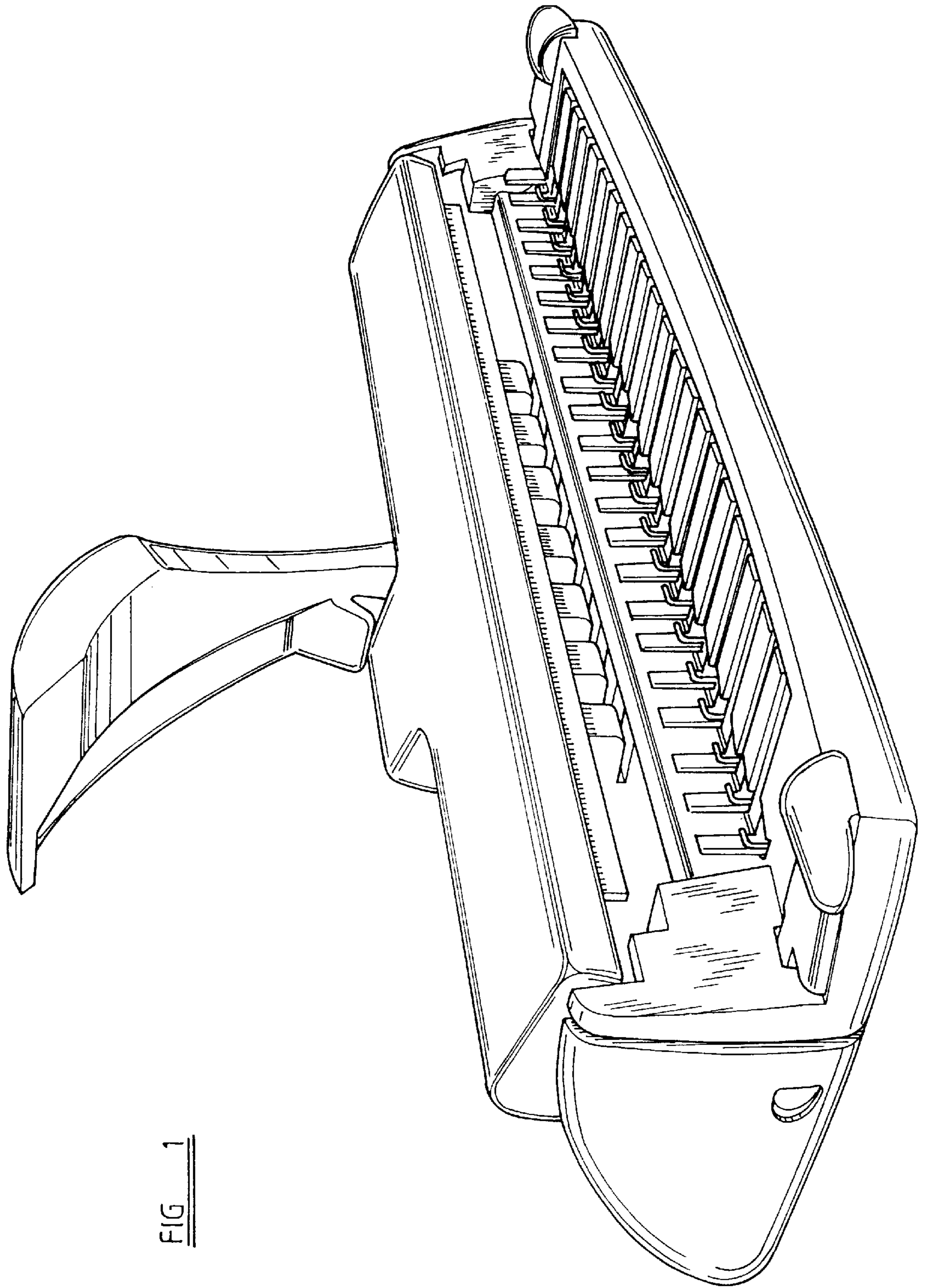


FIG 1

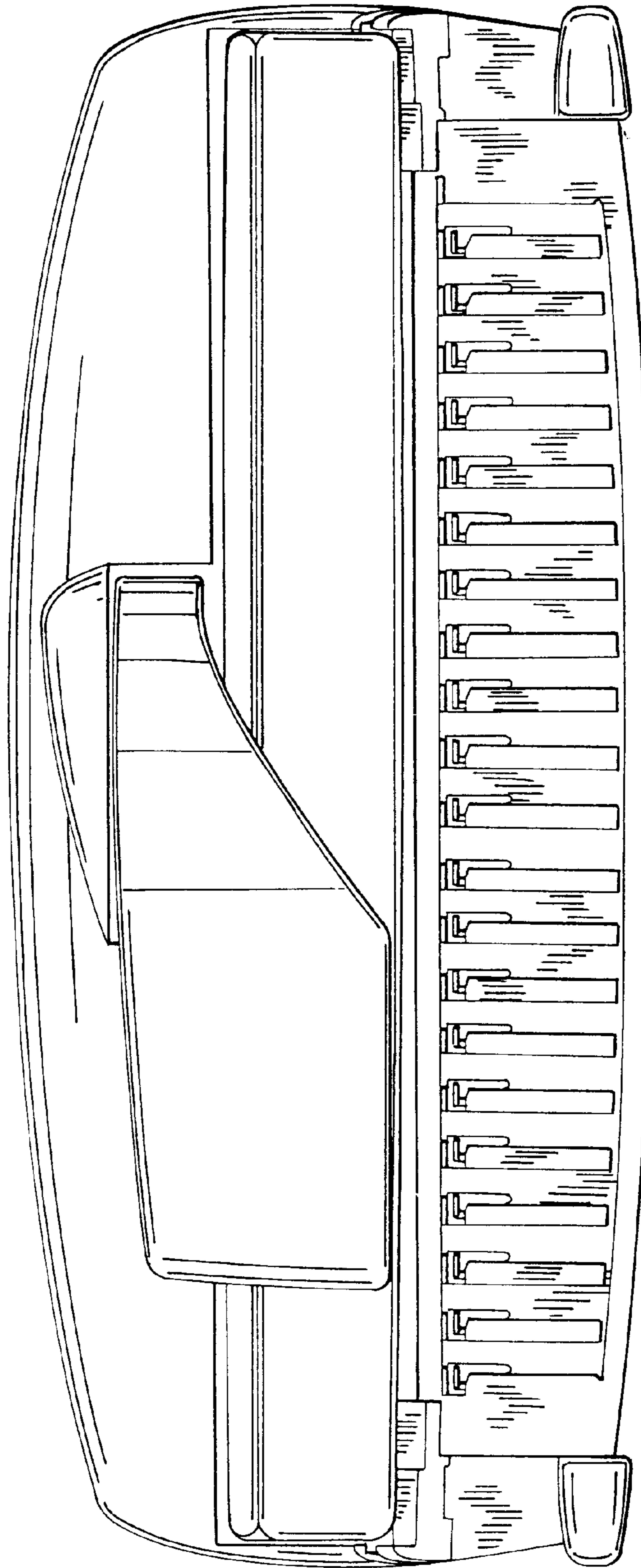


FIG 2

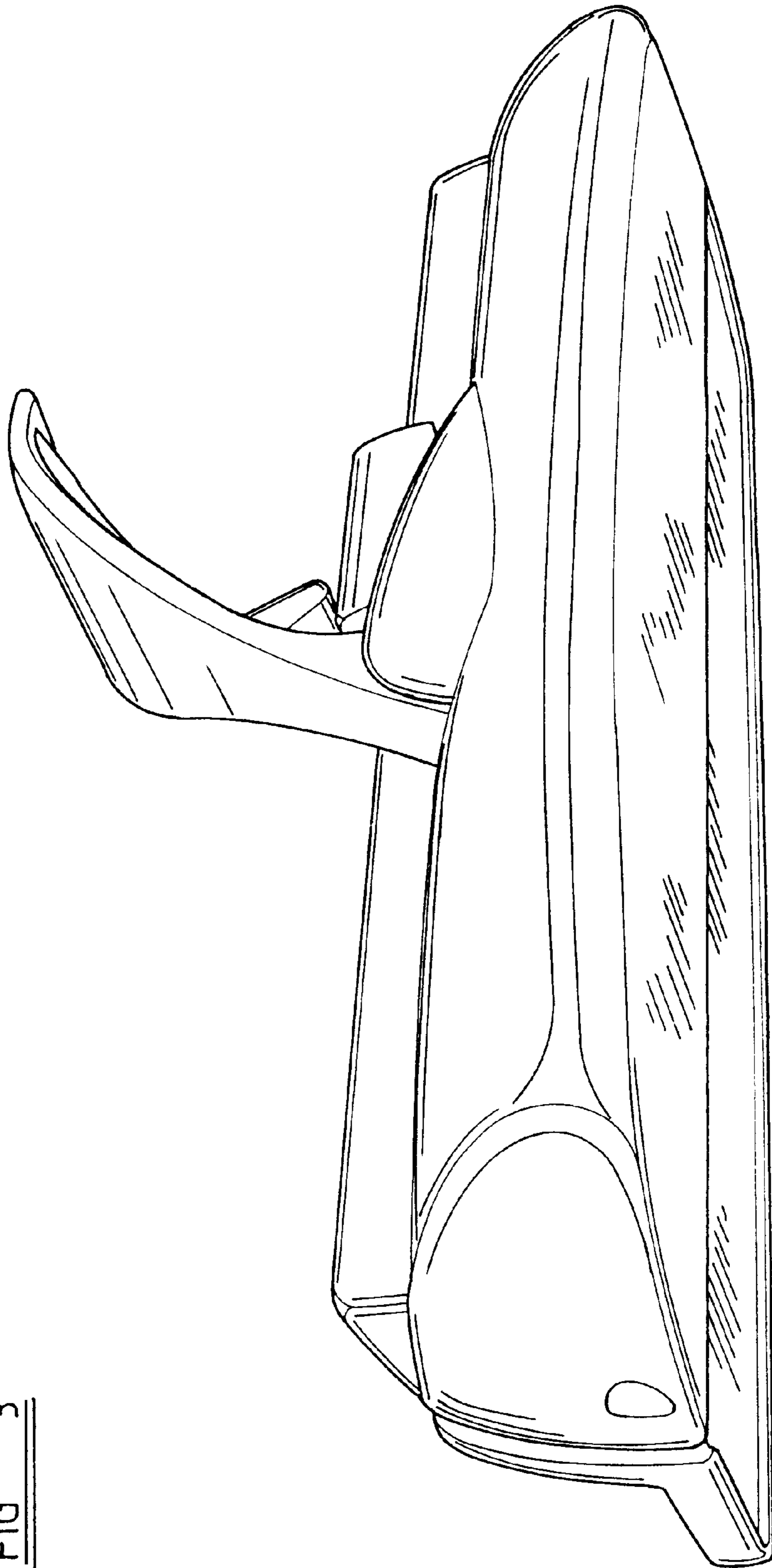


FIG 3

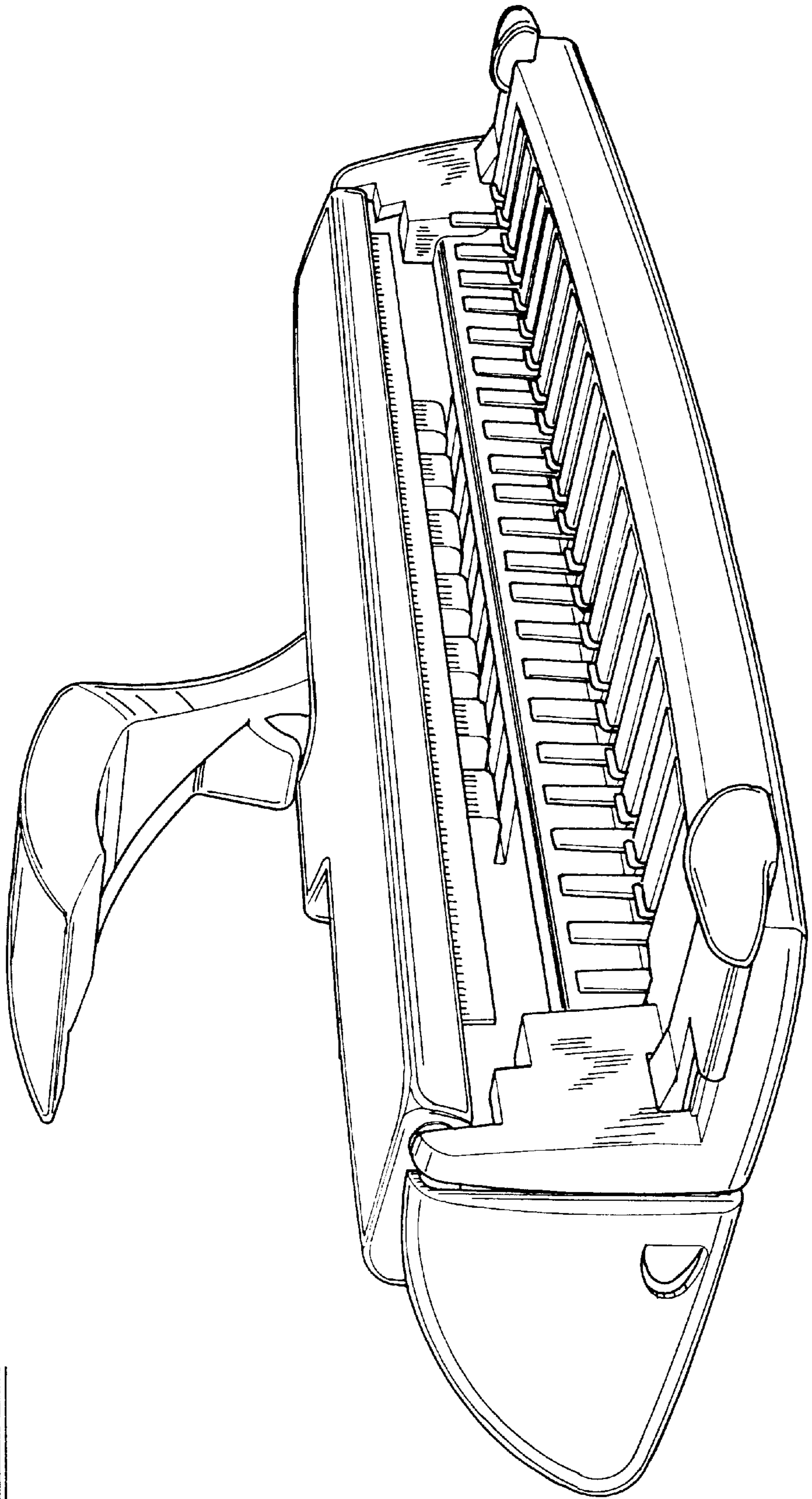


FIG 4