



US00D423038S

# United States Patent [19]

Shimoyama et al.

[11] Patent Number: Des. 423,038

[45] Date of Patent: \*\* Apr. 18, 2000

[54] INK REEL

5,455,617 10/1995 Stephenson et al. .... 400/208 X  
5,492,422 2/1996 Kondo ..... 400/208.1

[75] Inventors: **Atsuhiko Shimoyama; Junichi Yamamoto**, both of Toyohashi, Japan

*Primary Examiner*—Caron D. Veynar  
*Attorney, Agent, or Firm*—McDermott, Will & Emery

[73] Assignee: **Minolta Co., Ltd.**, Japan

[57] CLAIM

[\*\*] Term: **14 Years**

The ornamental design for ink reel, as shown and described.

[21] Appl. No.: **29/073,839**

### DESCRIPTION

[22] Filed: **Jun. 30, 1997**

### [30] Foreign Application Priority Data

Dec. 30, 1996 [JP] Japan ..... 8-40018

[51] LOC (6) Cl. .... **18-01**

[52] U.S. Cl. .... **D18/12**

[58] Field of Search ..... D18/12, 40, 43,  
D18/56; 400/207, 208, 208.1, 242, 246,  
249

FIG. 1 is a perspective view of the ink reel showing our new design, the broken line showings are for environmental purposes only and form no part of the claimed design;

FIG. 2 is a side elevational view, the other side views are identical thereof;

FIG. 3 is a bottom plan view thereof;

FIG. 4 is a top plan view thereof;

FIG. 5 is a bottom perspective view of a second embodiment of our new design, the broken line showings are for environmental purposes only and form no part of the claimed design;

FIG. 6 is a side elevational view of the embodiment of FIG. 5, the other side views are identical thereof;

FIG. 7 is a bottom view of the embodiment of FIG. 5;

FIG. 8 is a top view of the embodiment of FIG. 5;

FIG. 9 is a bottom perspective view of a third embodiment of our new design;

FIG. 10 is a side elevational view of the embodiment of FIG. 9, the other side views are identical thereof;

FIG. 11 is a bottom plan view of the embodiment of FIG. 9; and,

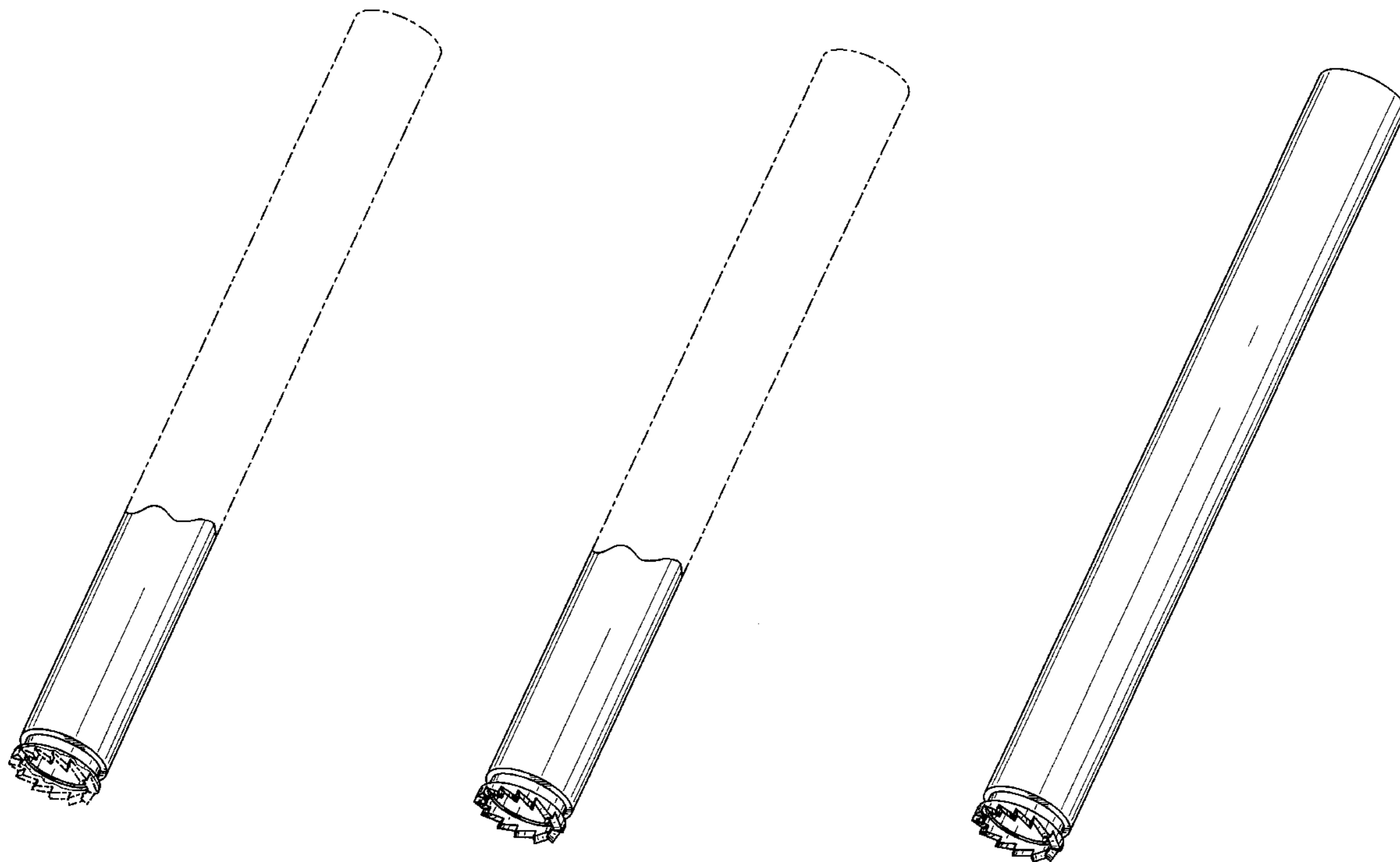
FIG. 12 is a top view of the embodiment of FIG. 9.

### [56] References Cited

#### U.S. PATENT DOCUMENTS

2,902,136	9/1959	Whippo	400/219.5
3,752,290	8/1973	Langheinrich	400/219
4,160,605	7/1979	Neubaum	400/208
5,110,228	5/1992	Yokomizo	400/208
5,243,360	9/1993	Tomoda et al.	400/207
5,352,049	10/1994	Shiraishi et al.	400/208
5,385,416	1/1995	Maekawa et al.	400/208
5,393,149	2/1995	Iima	400/208
5,399,034	3/1995	Fujii et al.	400/207
5,399,035	3/1995	Nakae	400/207

1 Claim, 6 Drawing Sheets



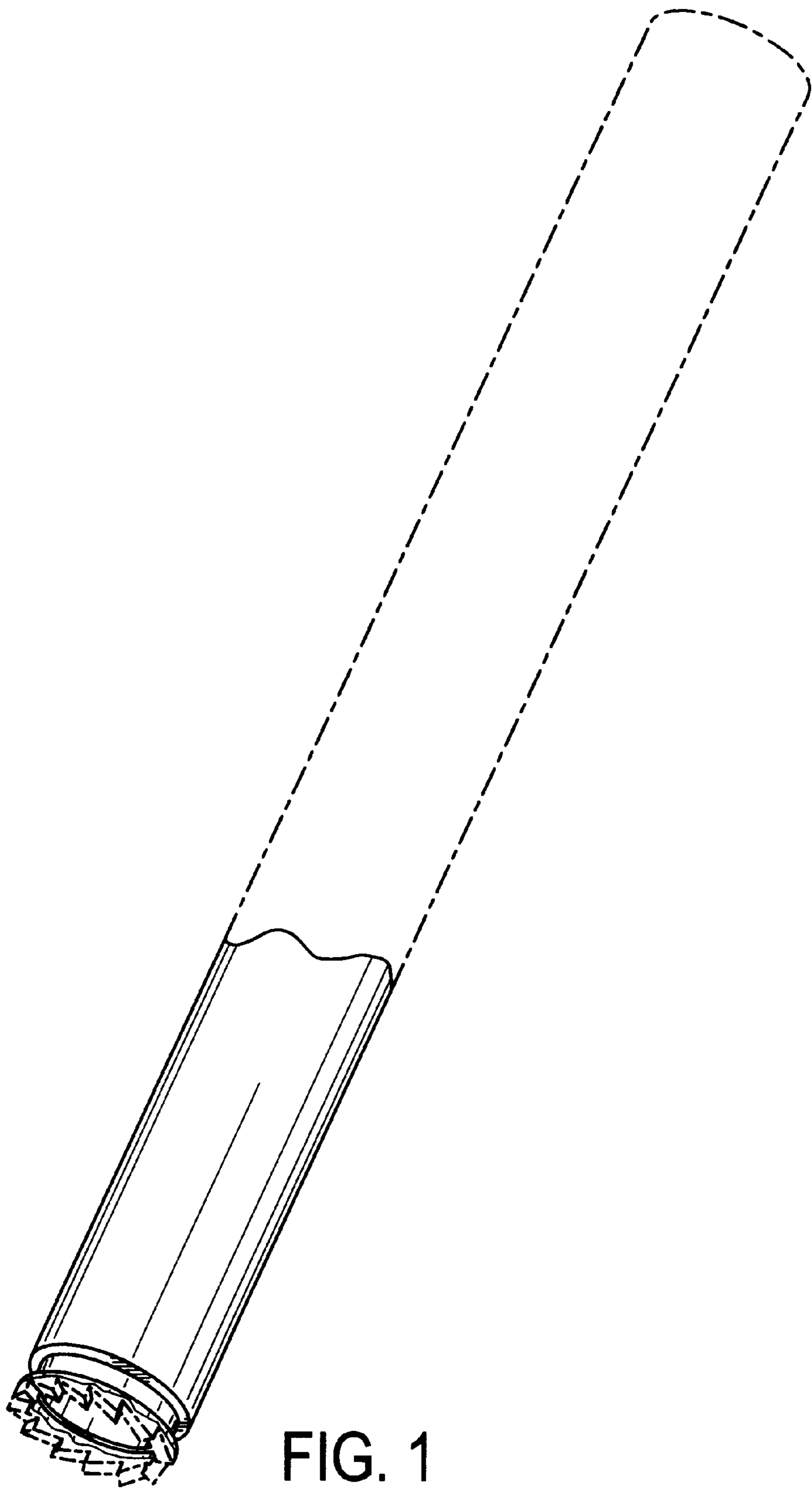


FIG. 1

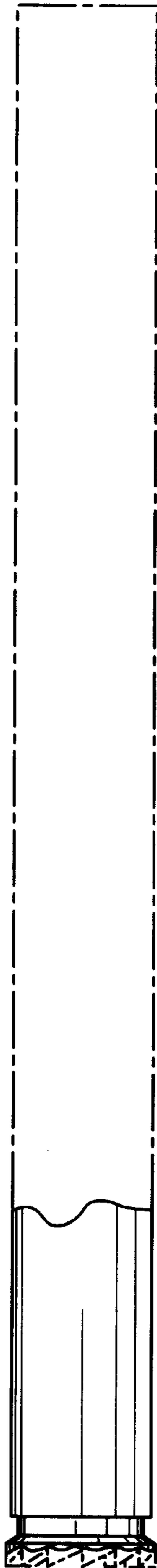


FIG. 2

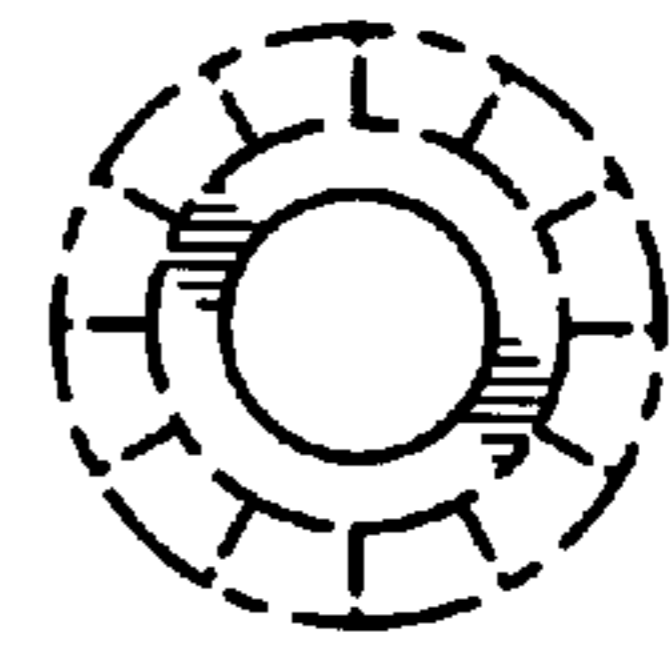


FIG. 3

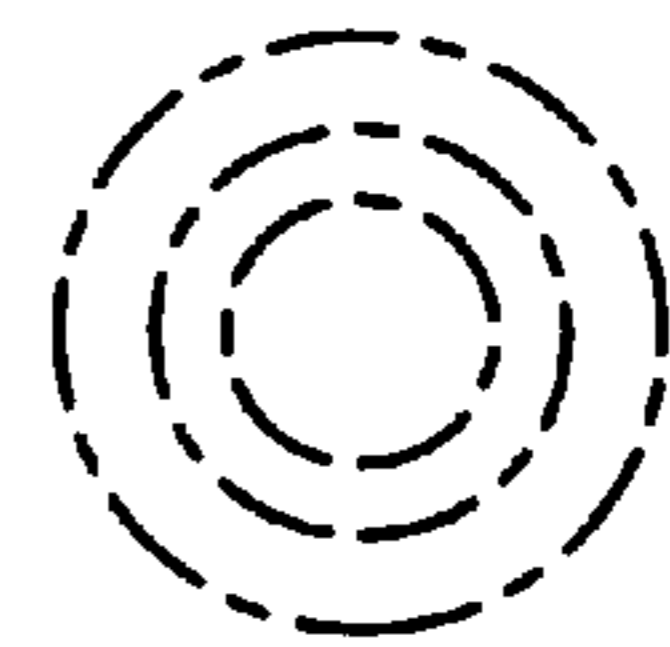


FIG. 4

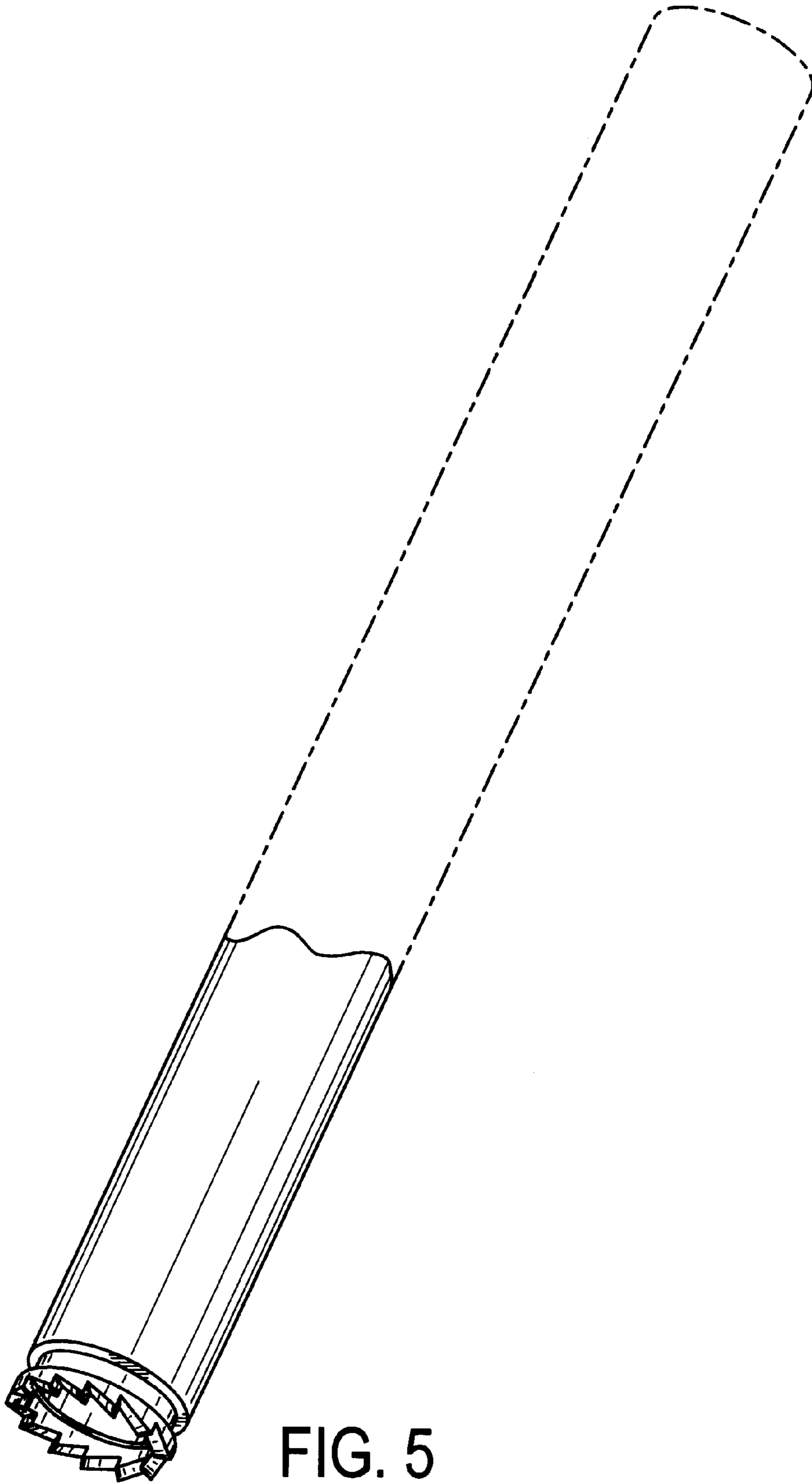


FIG. 5

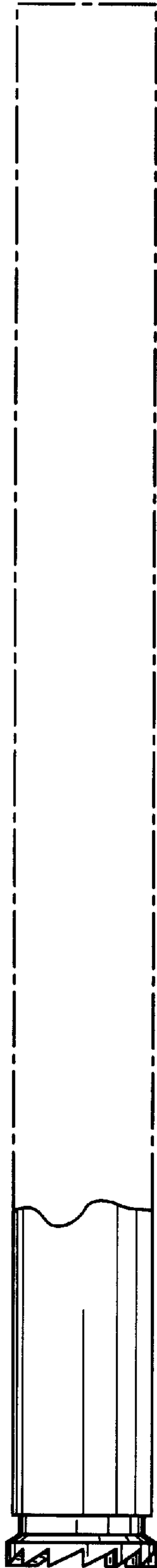


FIG. 6

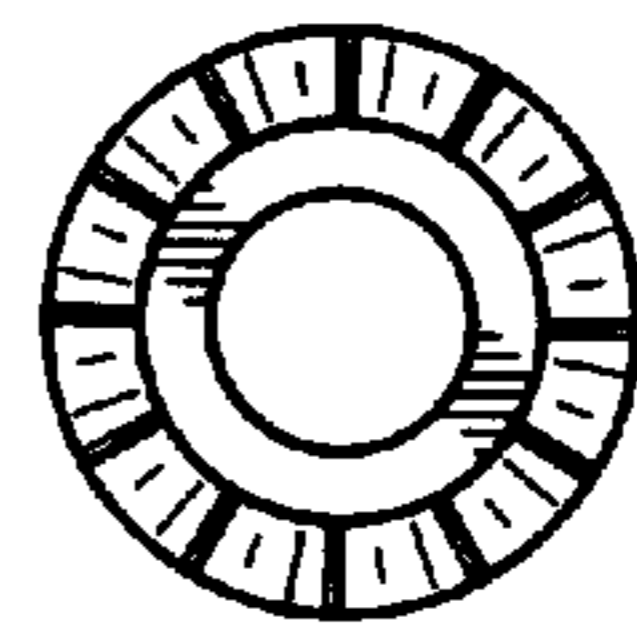


FIG. 7

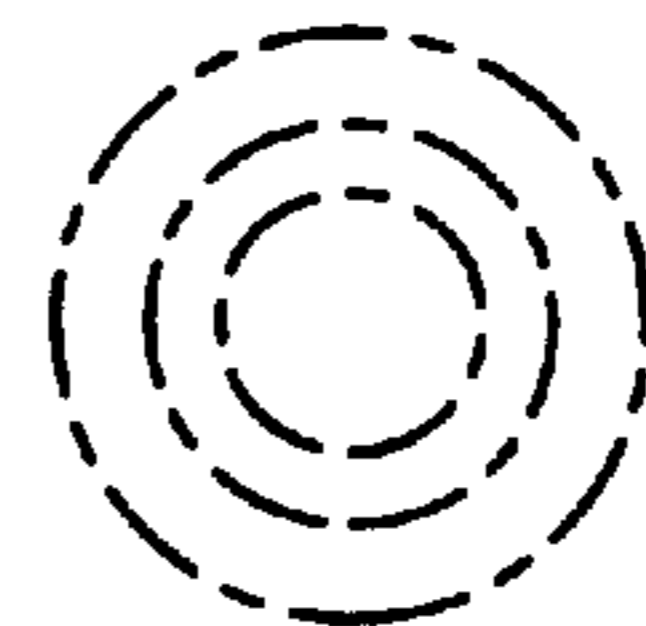


FIG. 8

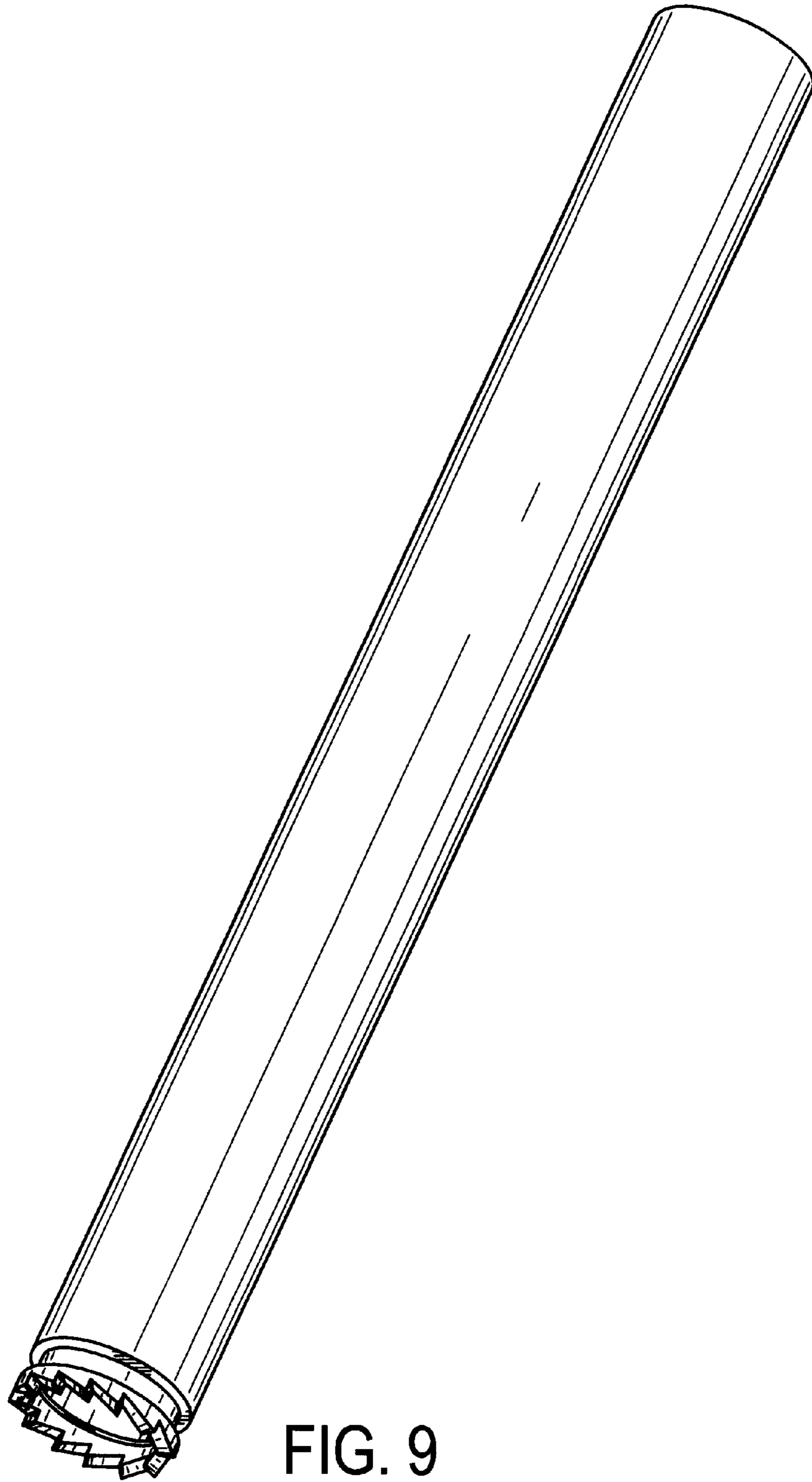


FIG. 9

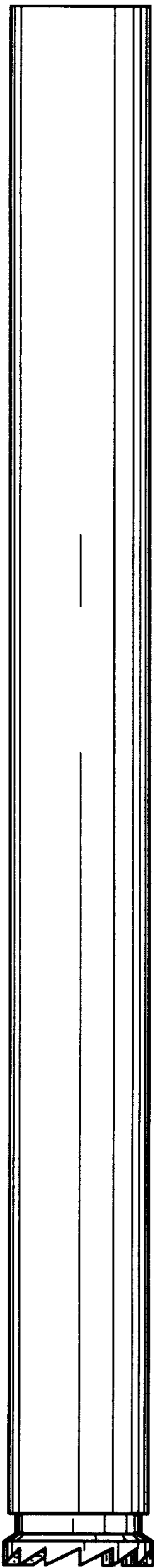


FIG. 10

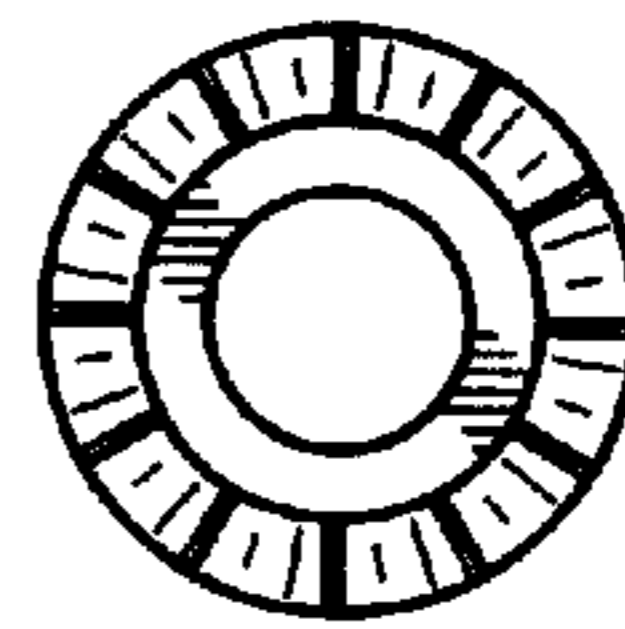


FIG. 11

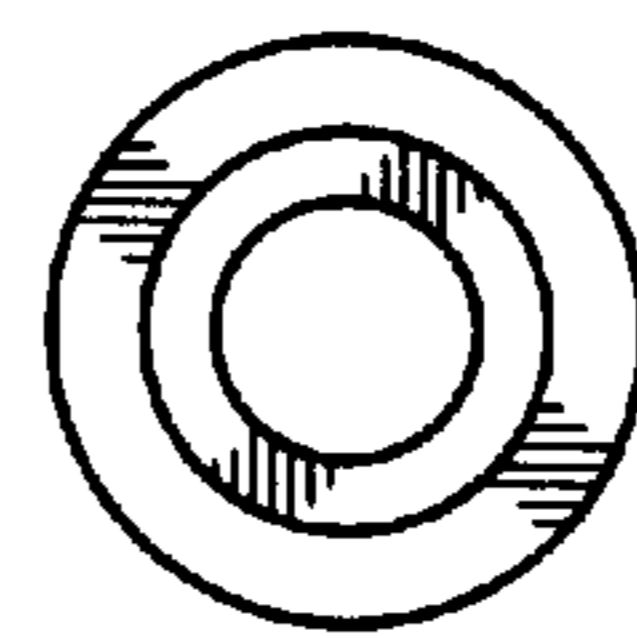


FIG. 12