



US00D423037S

United States Patent [19]

Ohki et al.

[11] **Patent Number: Des. 423,037**

[45] **Date of Patent: ** Apr. 18, 2000**

[54] **ELECTRONIC VALUE PROCESSING DEVICE**

[75] Inventors: **Masayuki Ohki**, Kodaira; **Atsuhiko Urushihara**, Higashiyamato; **Koji Suso**, Kokubunji; **Jun Furuya**, Hachioji; **Takashi Matsubara**, Kodaira; **Yuhei Abe**, Hitachinaka, all of Japan

[73] Assignee: **Hitachi, Ltd.**, Tokyo, Japan

[**] Term: **14 Years**

[21] Appl. No.: **29/090,248**

[22] Filed: **Jul. 2, 1998**

[30] **Foreign Application Priority Data**

Feb. 27, 1998 [JP] Japan 10-5117

[51] **LOC (6) Cl.** **18-01**

[52] **U.S. Cl.** **D18/4**

[58] **Field of Search** D18/14, 6, 7, 11; D14/100, 105, 106, 115; 235/1 D, 1 E, 2, 4, 7 R, 10, 145, 375, 380, 419; 364/404, 405

[56] **References Cited**

U.S. PATENT DOCUMENTS

D. 306,015 2/1990 Pulio, Jr. et al. D14/105

D. 367,044 2/1996 Arakaki .
D. 383,484 9/1997 Yamaguchi D18/4
D. 389,466 1/1998 Nakao et al. D14/105
D. 409,650 5/1999 Hanna et al. D18/4

Primary Examiner—Caron D. Veynar
Attorney, Agent, or Firm—Antonelli, Terry, Stout & Kraus, LLP

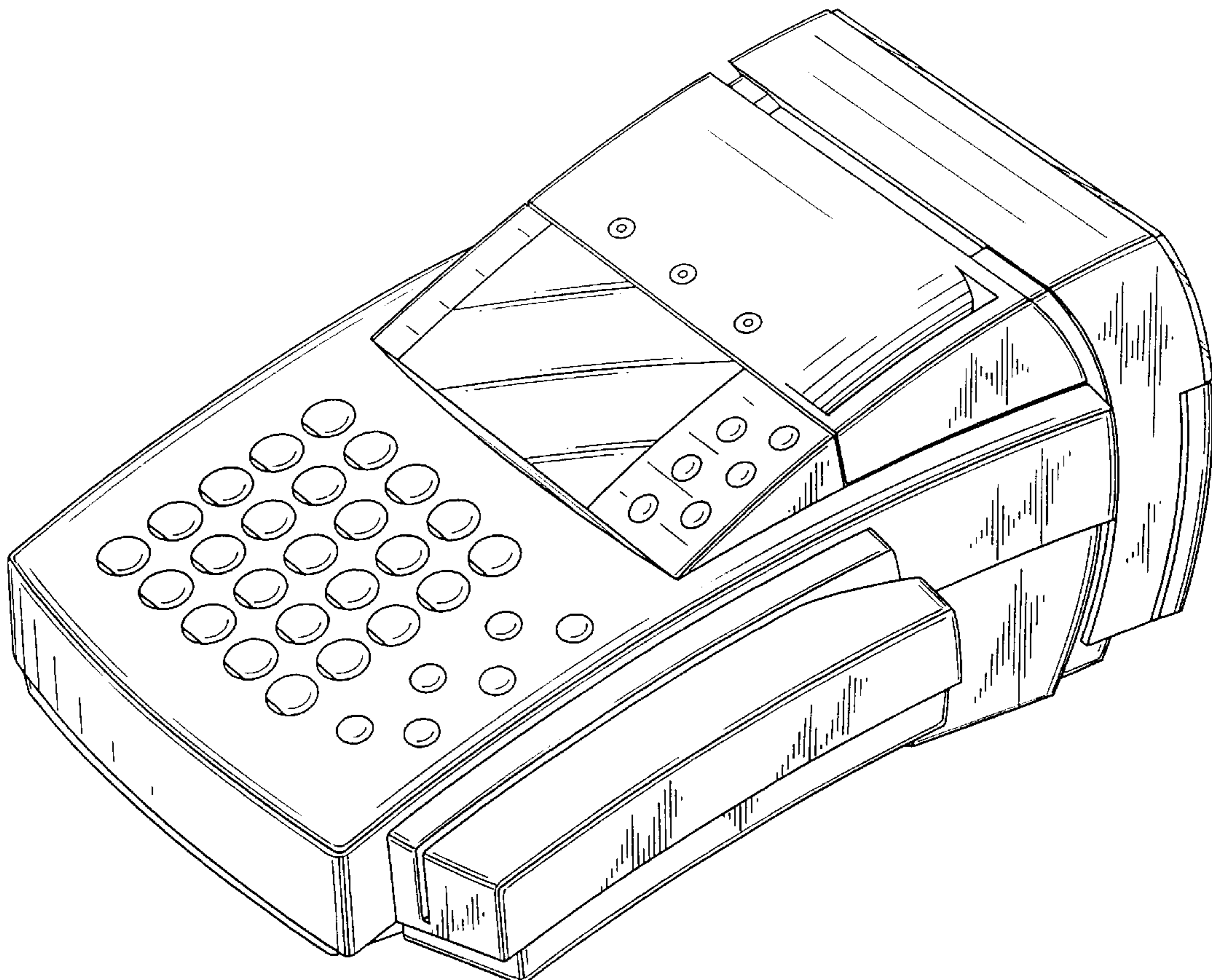
[57] **CLAIM**

The ornamental design for a electronic value processing device, as shown and described.

DESCRIPTION

FIG. 1 is a right side, front and top perspective view of the electronic value processing device showing our new design; FIG. 2 is a front elevational view; FIG. 3 is a rear elevational view; FIG. 4 is a top plan view; FIG. 5 is a right side elevational view; FIG. 6 is a left side elevational view; FIG. 7 is a bottom plan view; FIG. 8 is an explanatory top view when the rear cover is opened; and, FIG. 9 is an explanatory right side view thereof when the rear cover is opened.

1 Claim, 8 Drawing Sheets



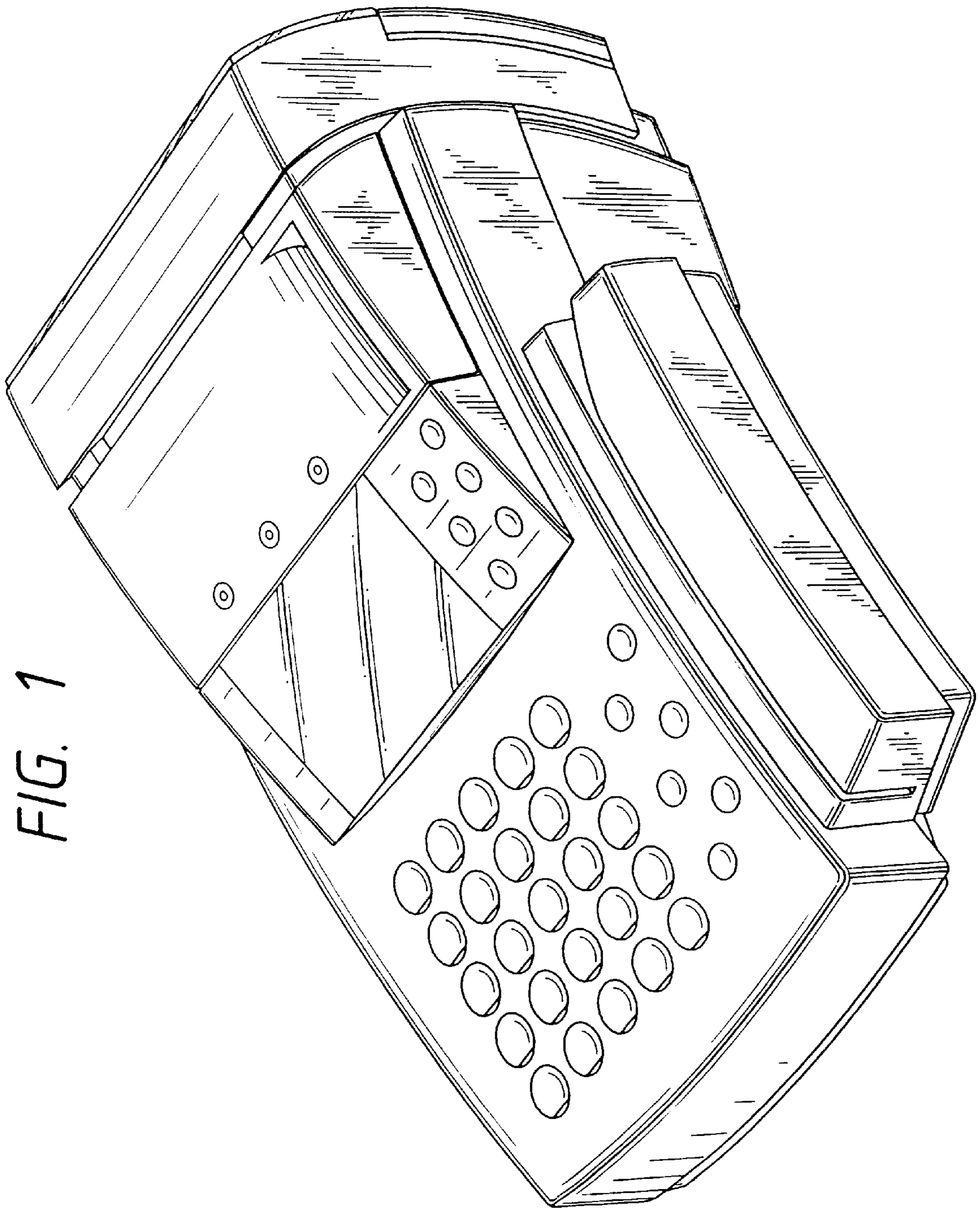


FIG. 1

FIG. 2

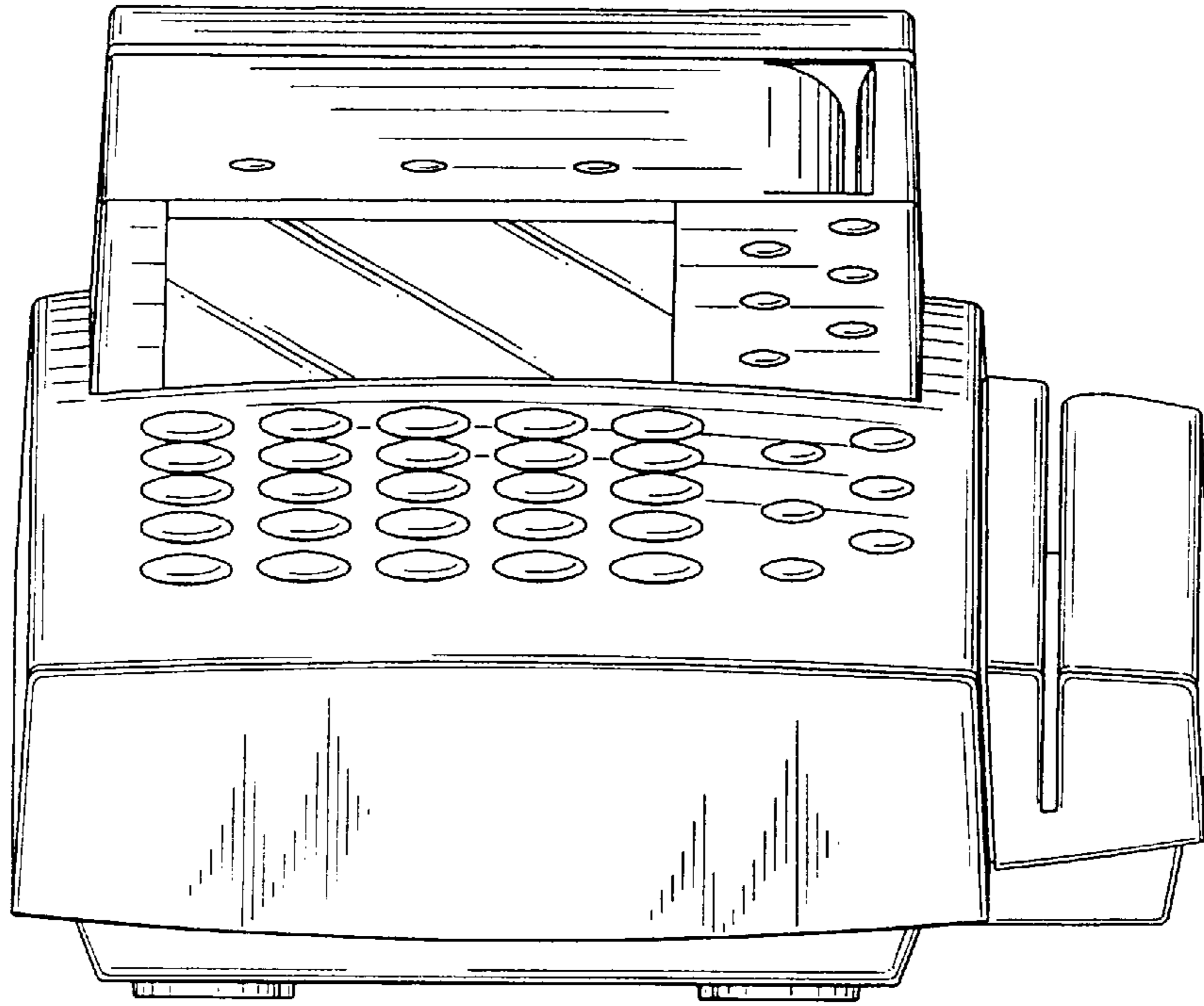


FIG. 3

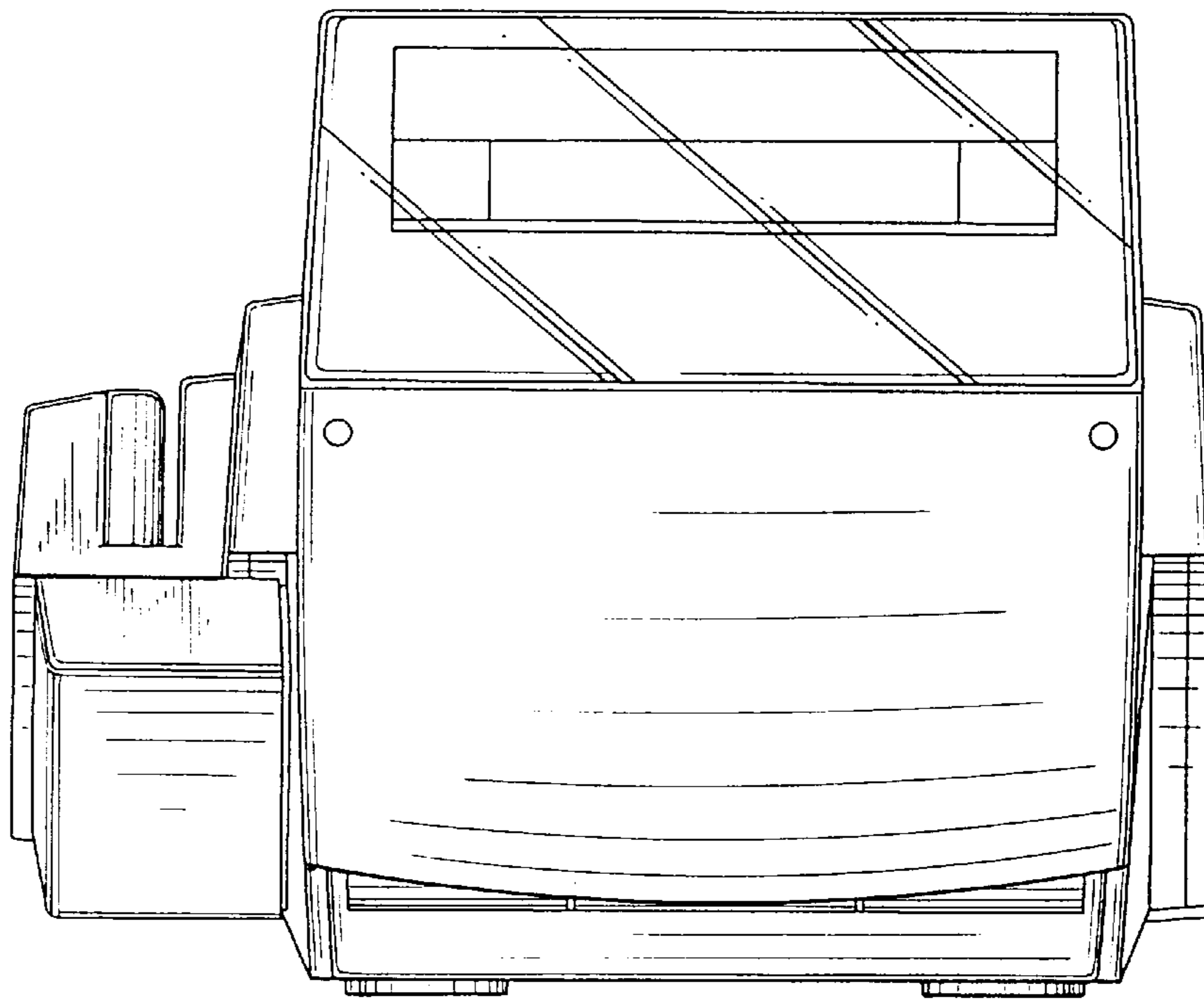


FIG. 4

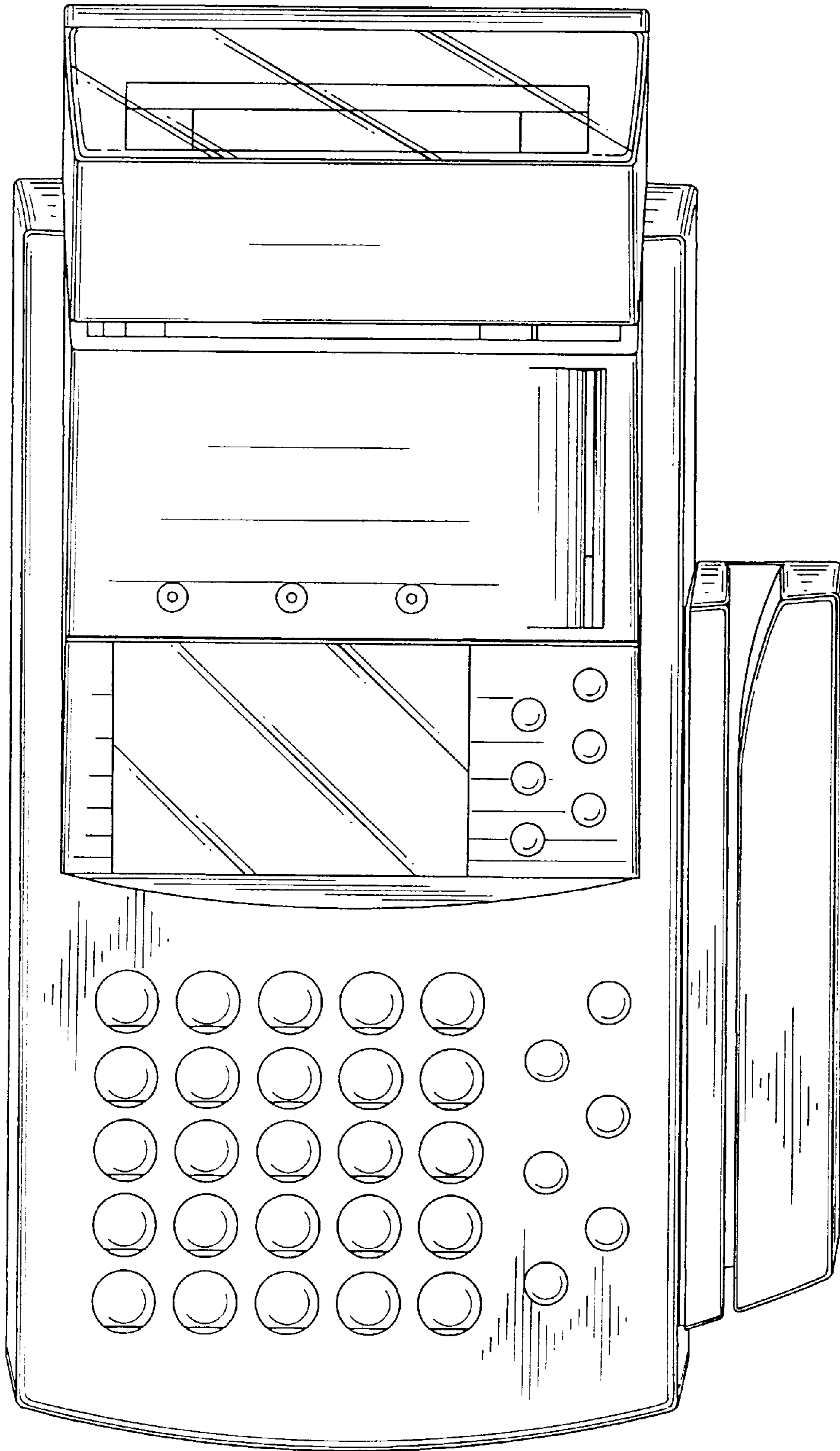


FIG. 5

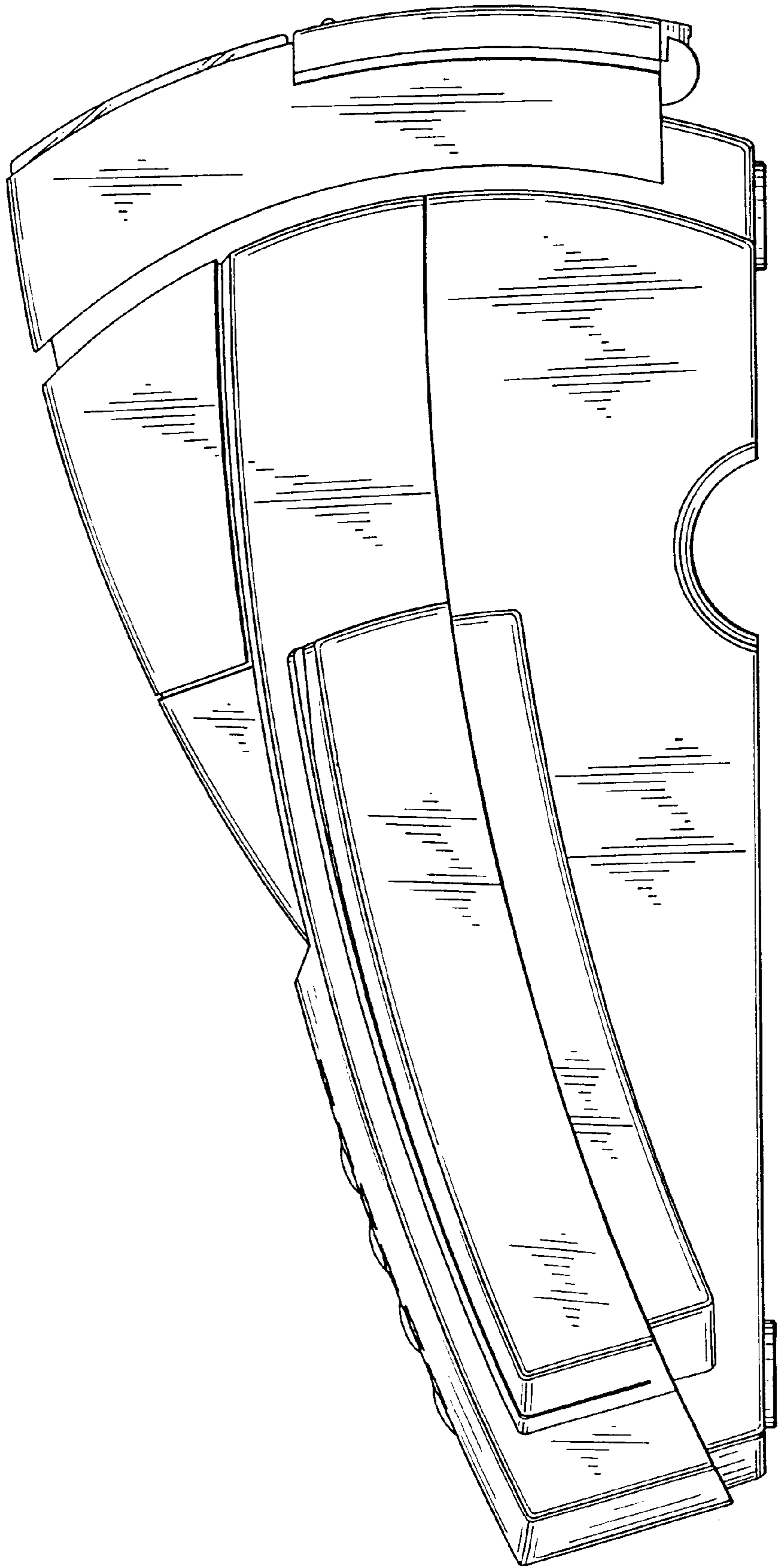


FIG. 6

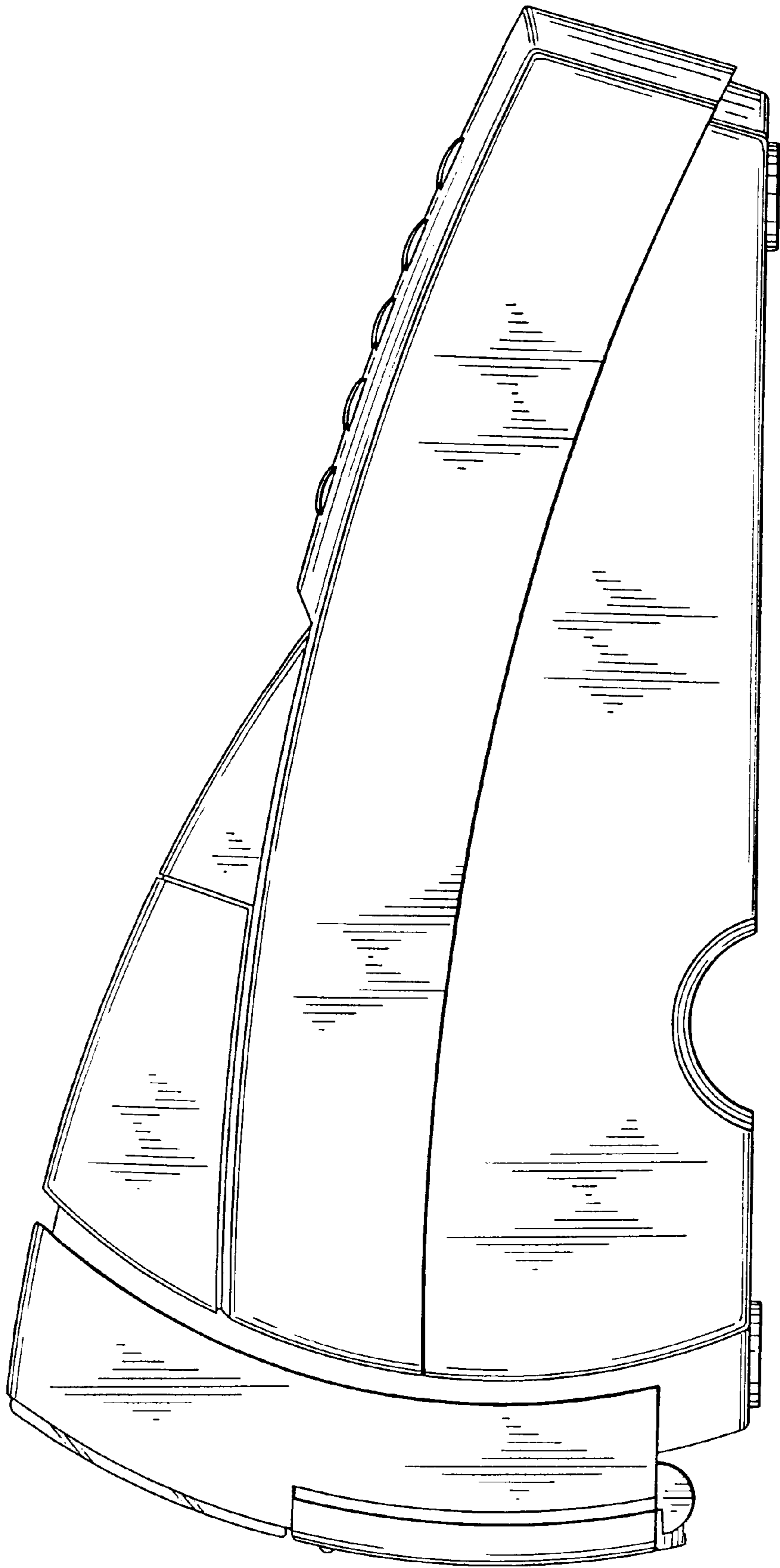


FIG. 7

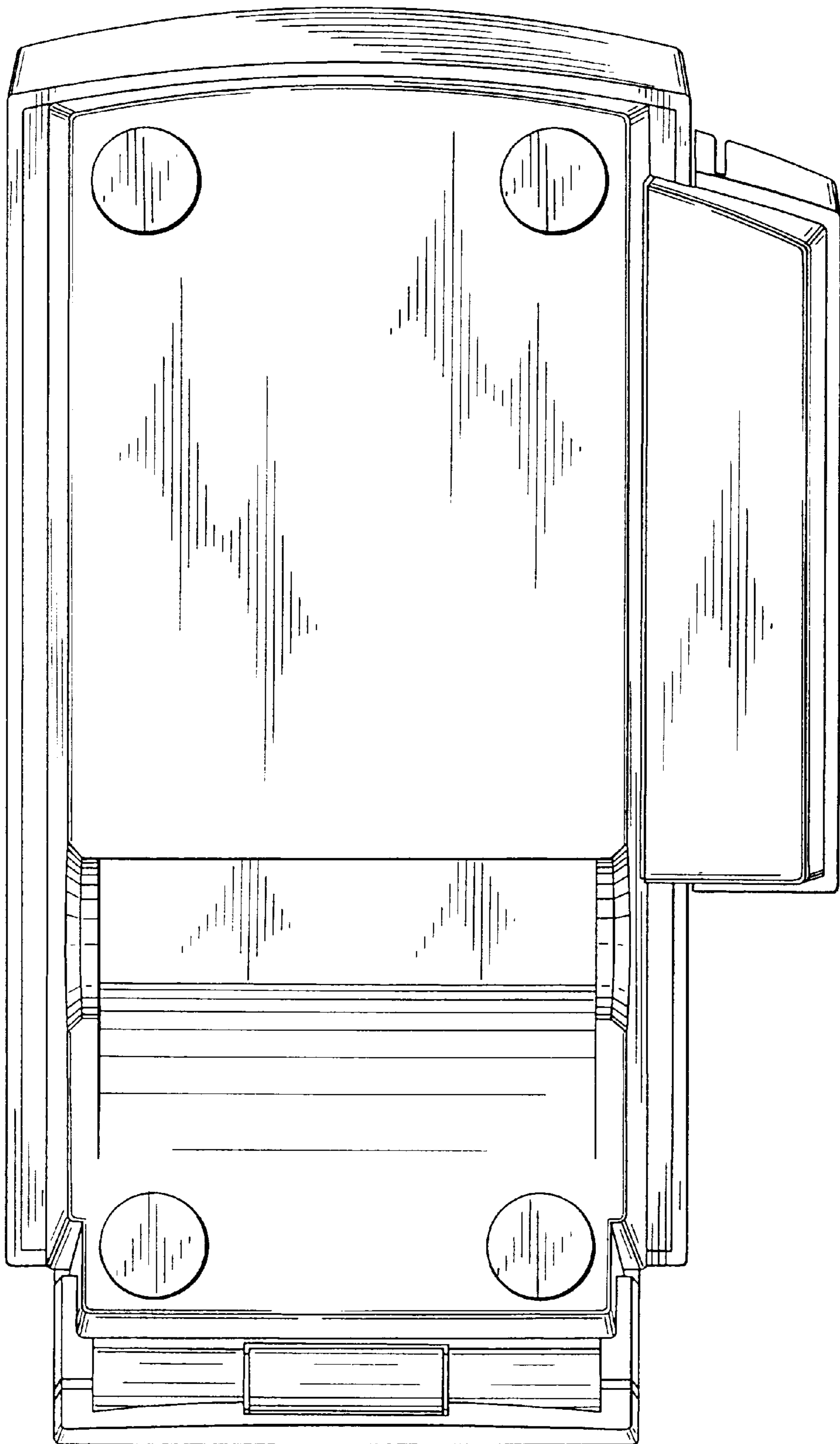


FIG. 8

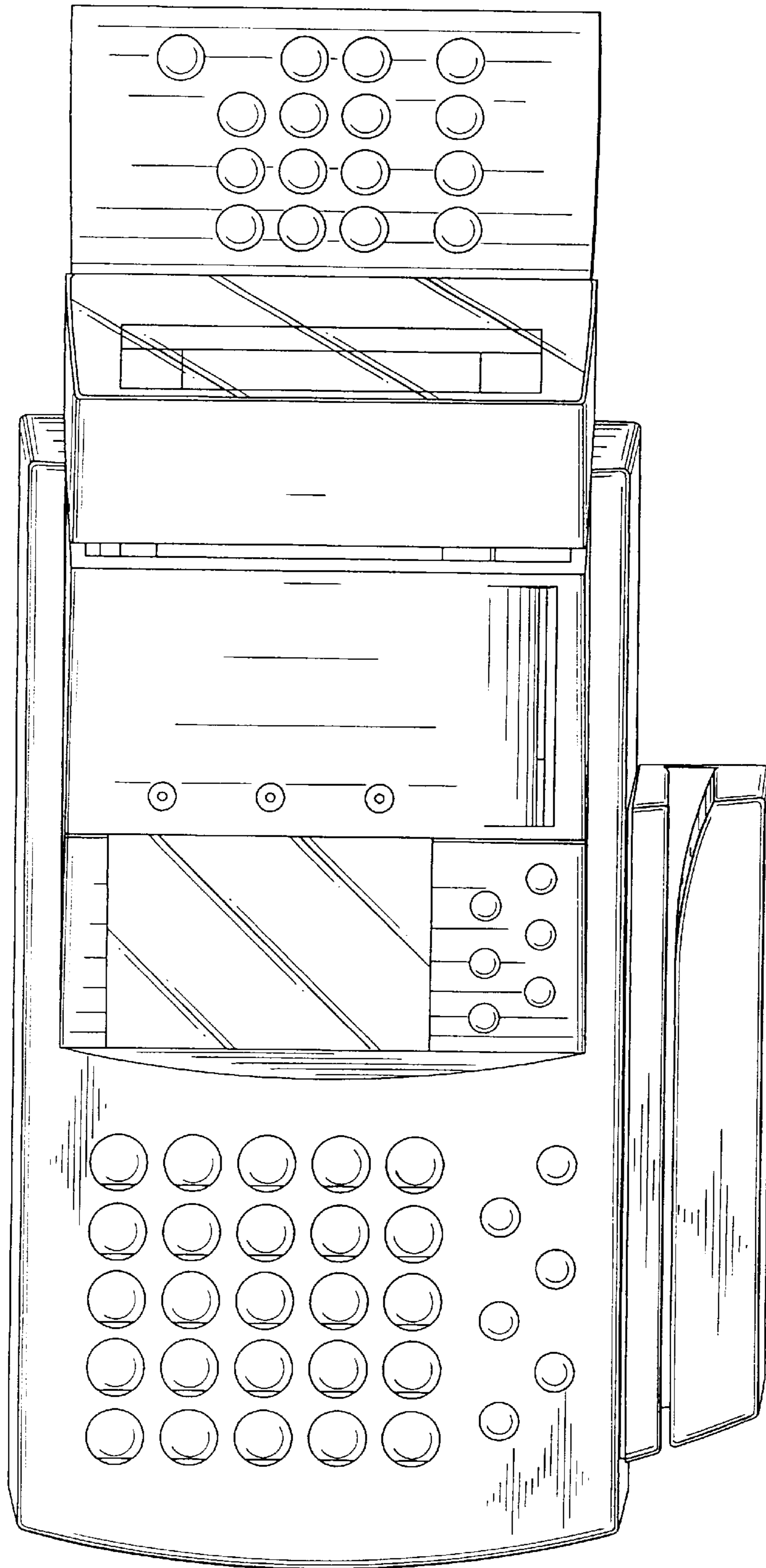


FIG. 9

