



US00D423036S

# United States Patent [19] Lombardi

[11] **Patent Number: Des. 423,036**

[45] **Date of Patent: \*\* Apr. 18, 2000**

[54] **PERCUSSION INSTRUMENT STAND**

[75] Inventor: **Donald G. Lombardi**, Thousand Oaks, Calif.

[73] Assignee: **Drum Workshop, Inc.**, Oxnard, Calif.

[\*\*] Term: **14 Years**

[21] Appl. No.: **29/085,572**

[22] Filed: **Mar. 26, 1998**

[51] **LOC (6) Cl.** ..... **17-04**

[52] **U.S. Cl.** ..... **D17/22**

[58] **Field of Search** ..... D6/419; D17/22,  
D17/99; 84/327, 329, 421, 453; 248/168,  
170, 171

[56] **References Cited**

**U.S. PATENT DOCUMENTS**

- D. 218,259 8/1970 Thompson ..... D17/22
- D. 219,713 1/1971 Thompson ..... D17/22

- 3,118,339 1/1964 Hoellerich ..... 84/421
- 4,606,525 8/1986 Lombardi ..... 248/460
- 5,739,447 4/1998 Hoshino ..... 84/402

**OTHER PUBLICATIONS**

Dixon X Series Hardware '98.

*Primary Examiner*—Adir Aronovich  
*Attorney, Agent, or Firm*—William W. Haefliger

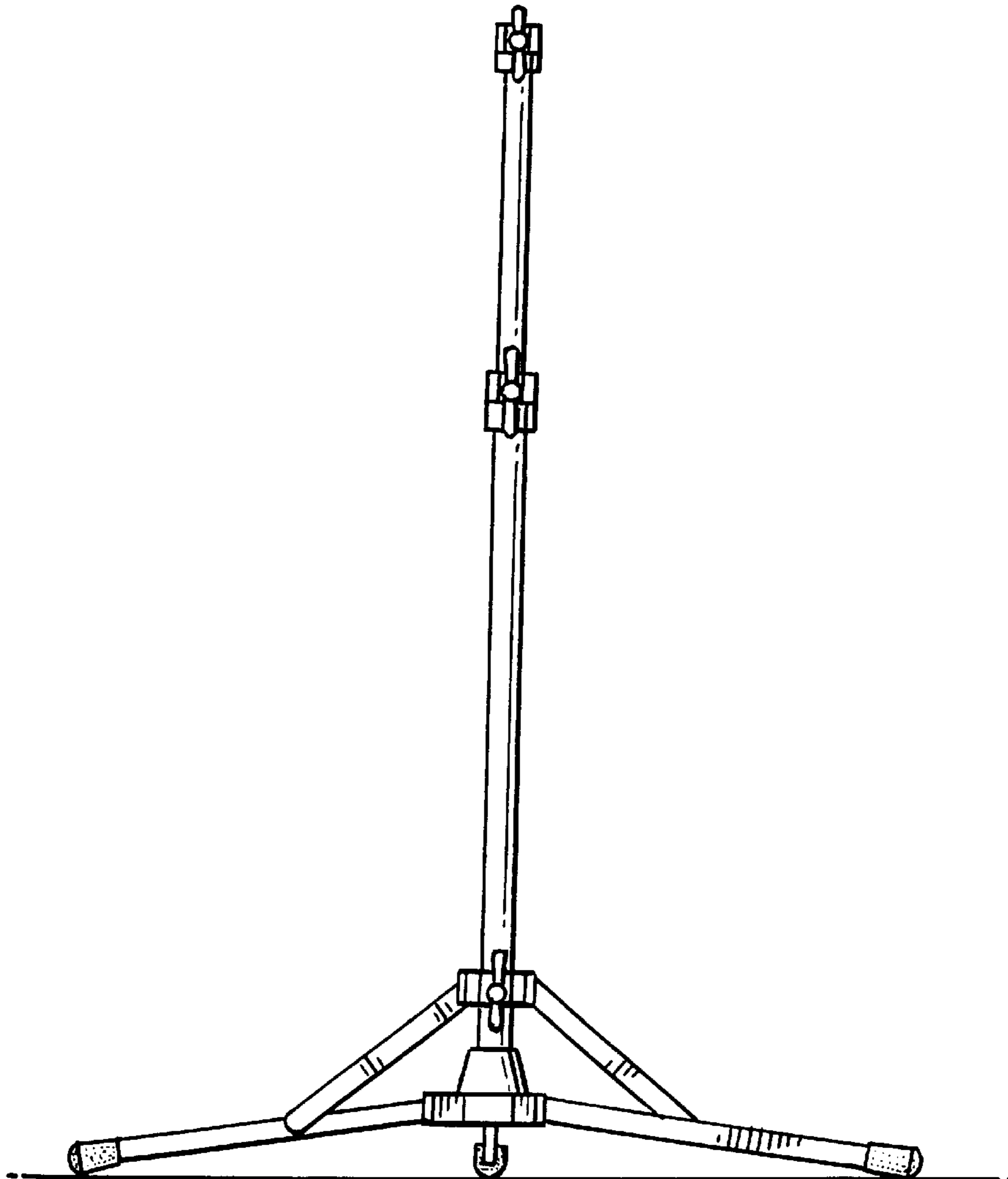
[57] **CLAIM**

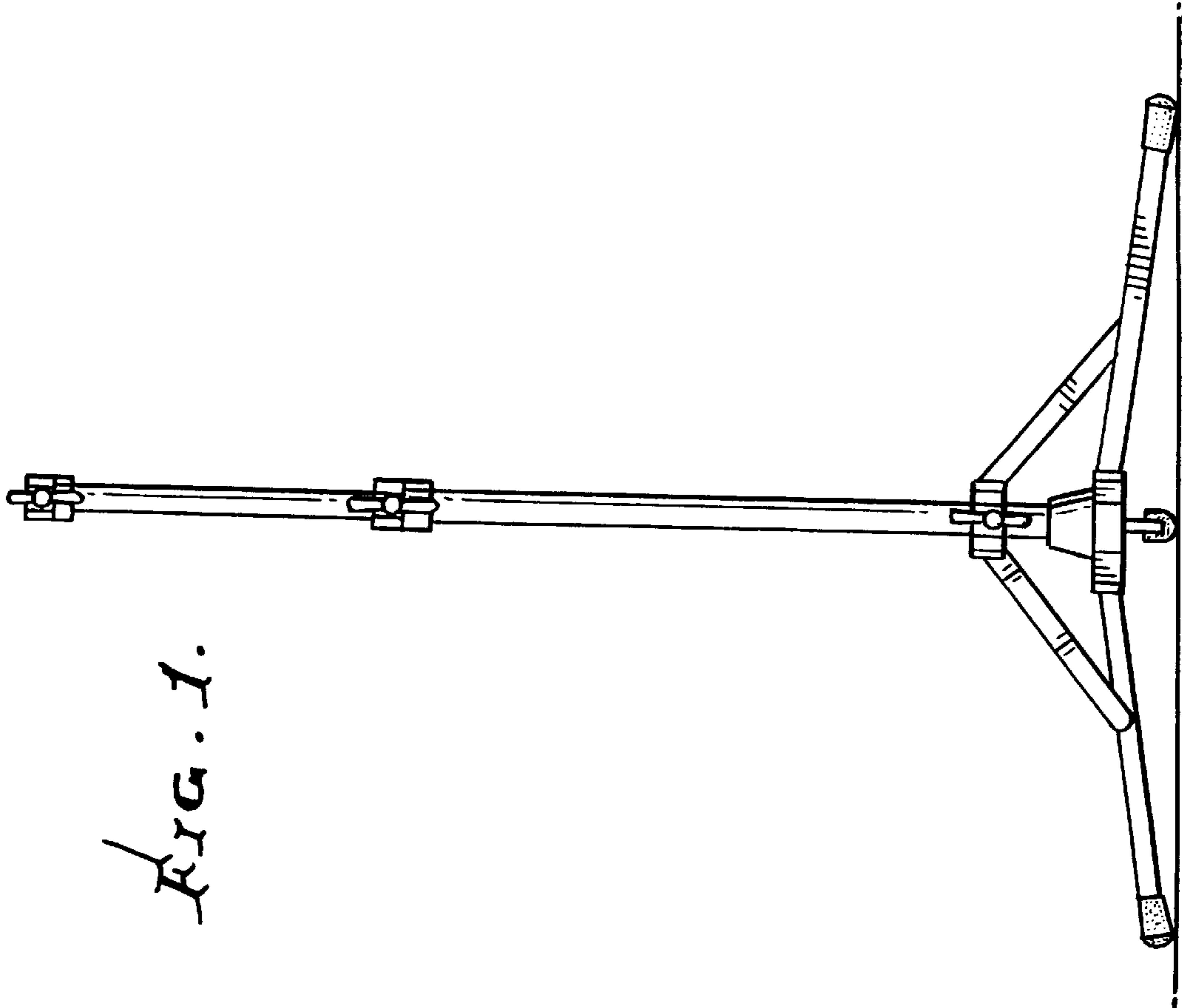
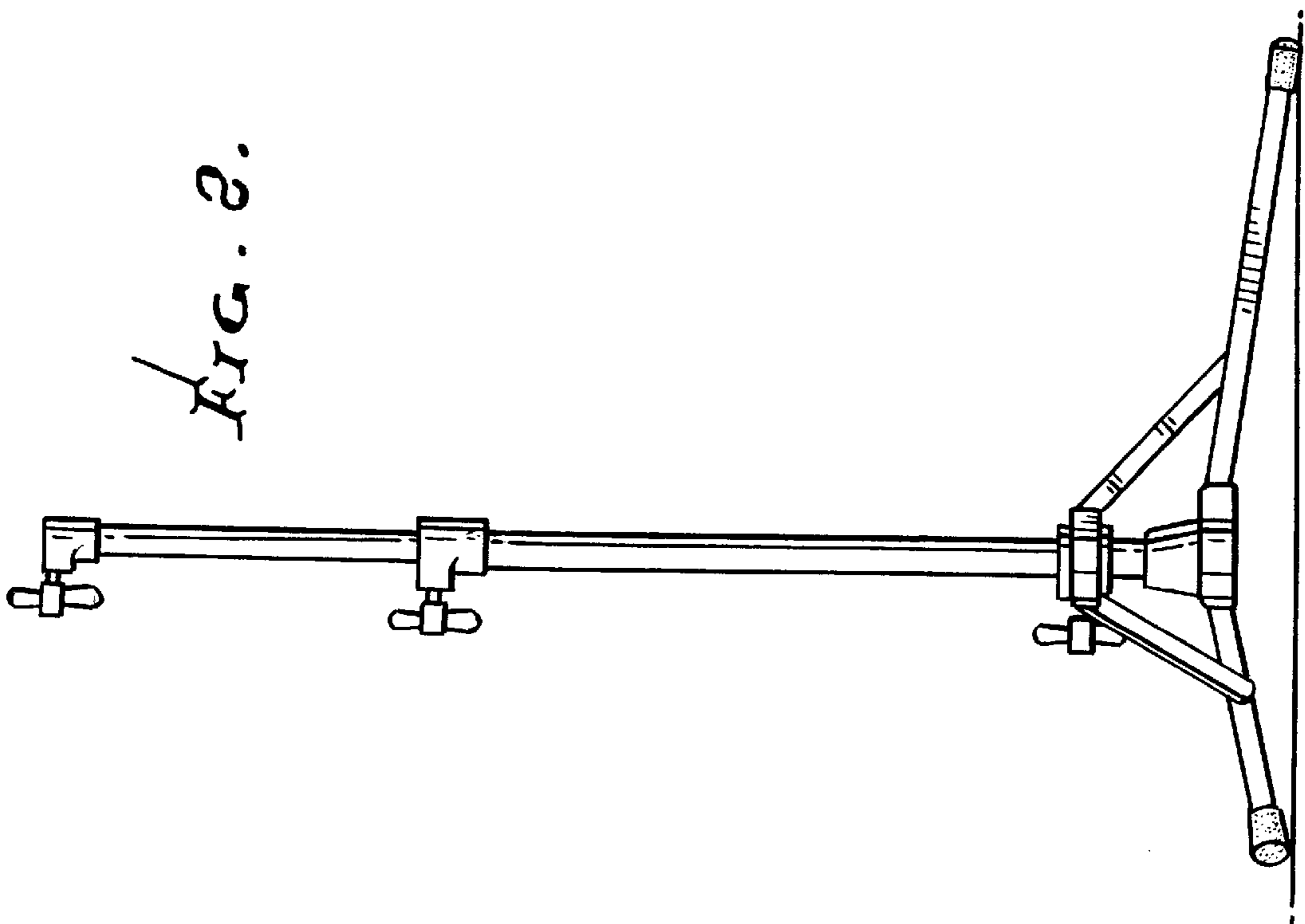
The ornamental design for a percussion instrument stand, as shown and described.

**DESCRIPTION**

FIG. 1 is a front elevation showing the stand;  
FIG. 2 is a right side elevation showing the stand;  
FIG. 3 is a rear elevation showing the stand;  
FIG. 4 is a left side elevation showing the stand;  
FIG. 5 is a top plan view of the stand; and,  
FIG. 6 is a bottom plan view of stand.

**1 Claim, 3 Drawing Sheets**





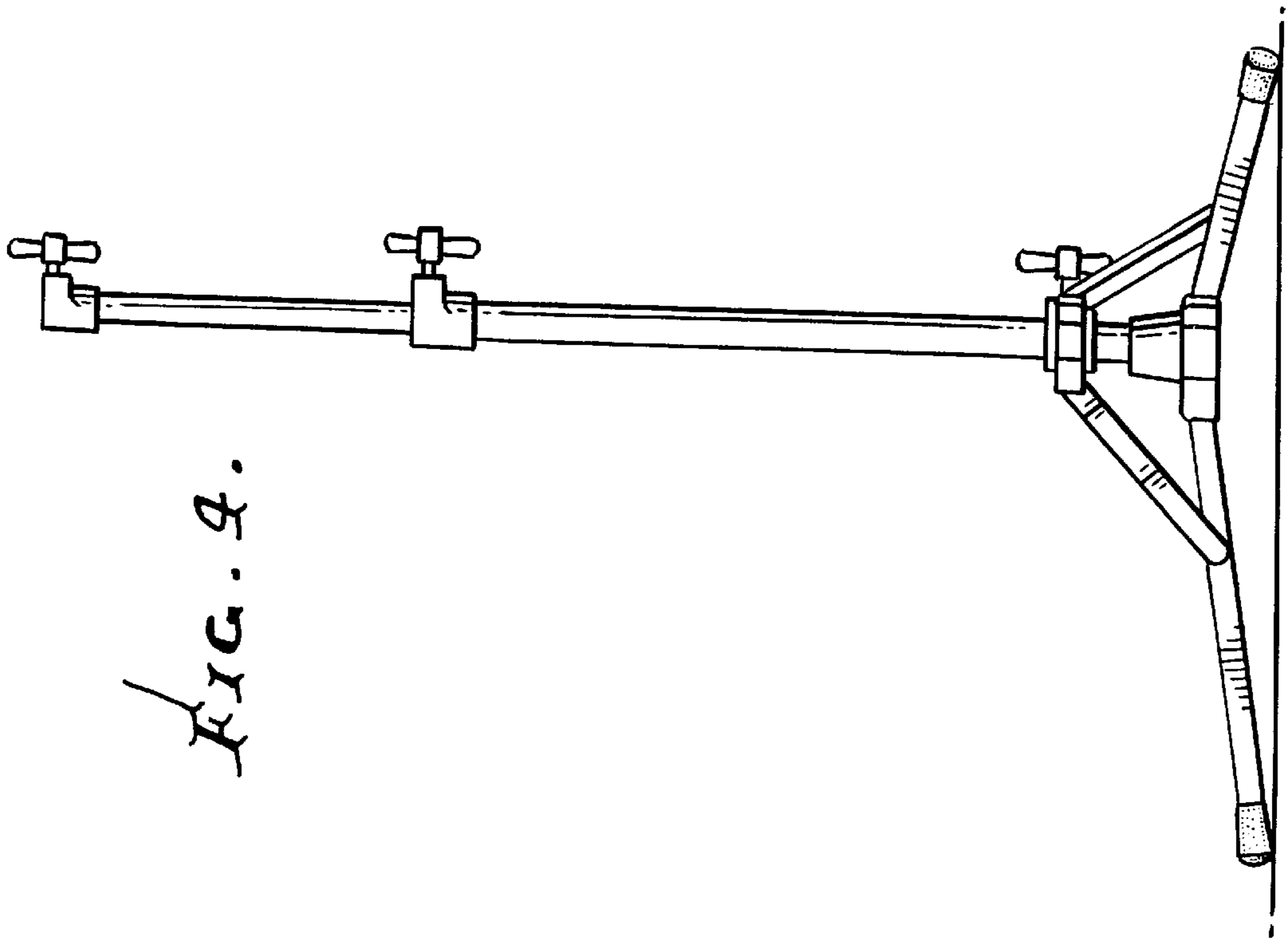


FIG. 4.

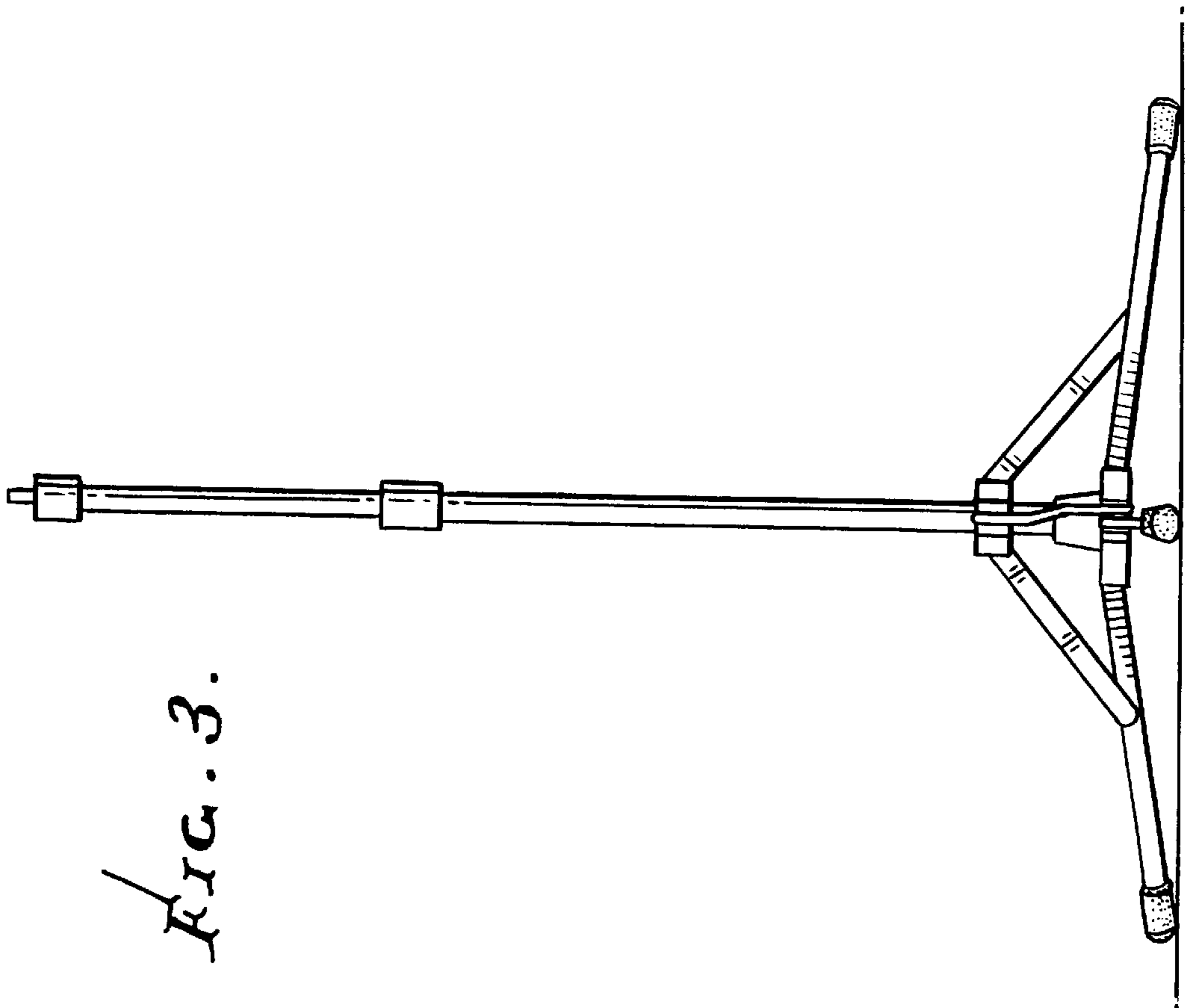
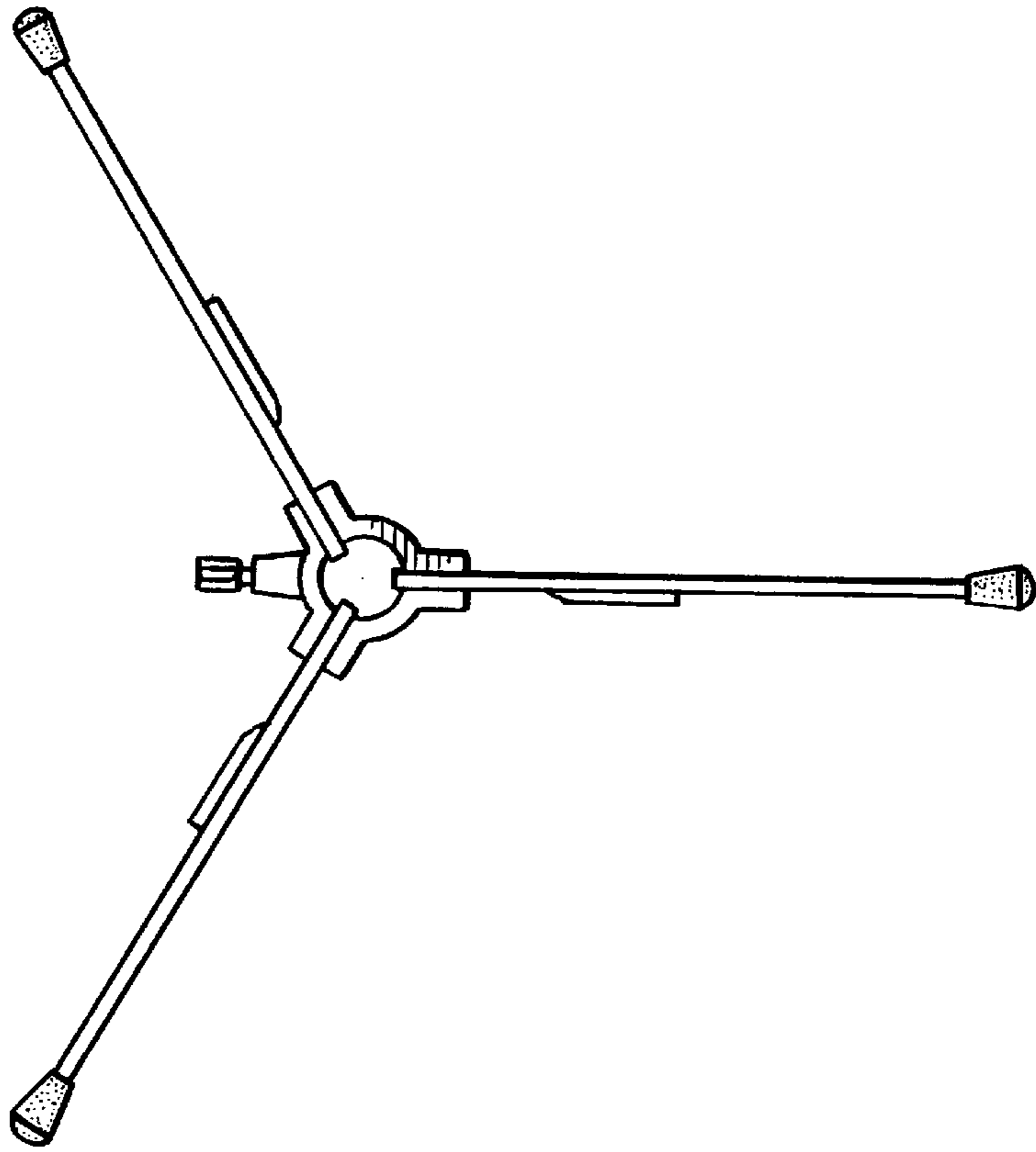


FIG. 3.

*FIG. 6.*



*FIG. 5.*

