



US00D423031S

United States Patent [19]

[11] **Patent Number: Des. 423,031**

Shinohara et al.

[45] **Date of Patent: ** Apr. 18, 2000**

[54] **DIGITAL STILL CAMERA**

D. 410,665	6/1999	Shinano	D16/202
D. 412,517	8/1999	Hayamizu	D16/209
4,943,822	7/1990	Braunhut	396/373

[75] Inventors: **Noriyuki Shinohara; Norihiko Shimose**, both of Ehime, Japan

OTHER PUBLICATIONS

[73] Assignee: **Matsushita Electric Industrial Co., Ltd.**, Japan

Olympus C-820-L and C-420-L Model, Catalog issued in Feb. 1998.

[**] Term: **14 Years**

Epson CP-500 Model, Catalog issued in Jun. 13, 1997.

[21] Appl. No.: **29/089,163**

Primary Examiner—Adir Aronovich
Attorney, Agent, or Firm—Saidman DesignLaw Group

[22] Filed: **Jun. 9, 1998**

[57] CLAIM

[30] Foreign Application Priority Data

The ornamental design for a digital still camera, as shown and described.

Dec. 18, 1997 [JP] Japan 9-78882

DESCRIPTION

[51] **LOC (6) Cl.** **16-01**

[52] **U.S. Cl.** **D16/202; D16/218**

[58] **Field of Search** D16/200-206,
D16/208, 209, 217-218; 348/373-376;
358/906, 909.1; 396/535-541

FIG. 1 is a perspective view of the top, front and right side of a digital still camera showing our new design;
FIG. 2 is a front view thereof;
FIG. 3 is a top plan view thereof;
FIG. 4 is a left side view thereof;
FIG. 5 is a right side view thereof;
FIG. 6 is a rear view thereof; and,
FIG. 7 is a bottom view thereof.

[56] References Cited

U.S. PATENT DOCUMENTS

D. 386,775	11/1997	Shiotani et al.	D16/218
D. 388,449	12/1997	Ohi et al.	D16/202
D. 394,076	5/1998	Matsumura et al.	D16/209

1 Claim, 3 Drawing Sheets

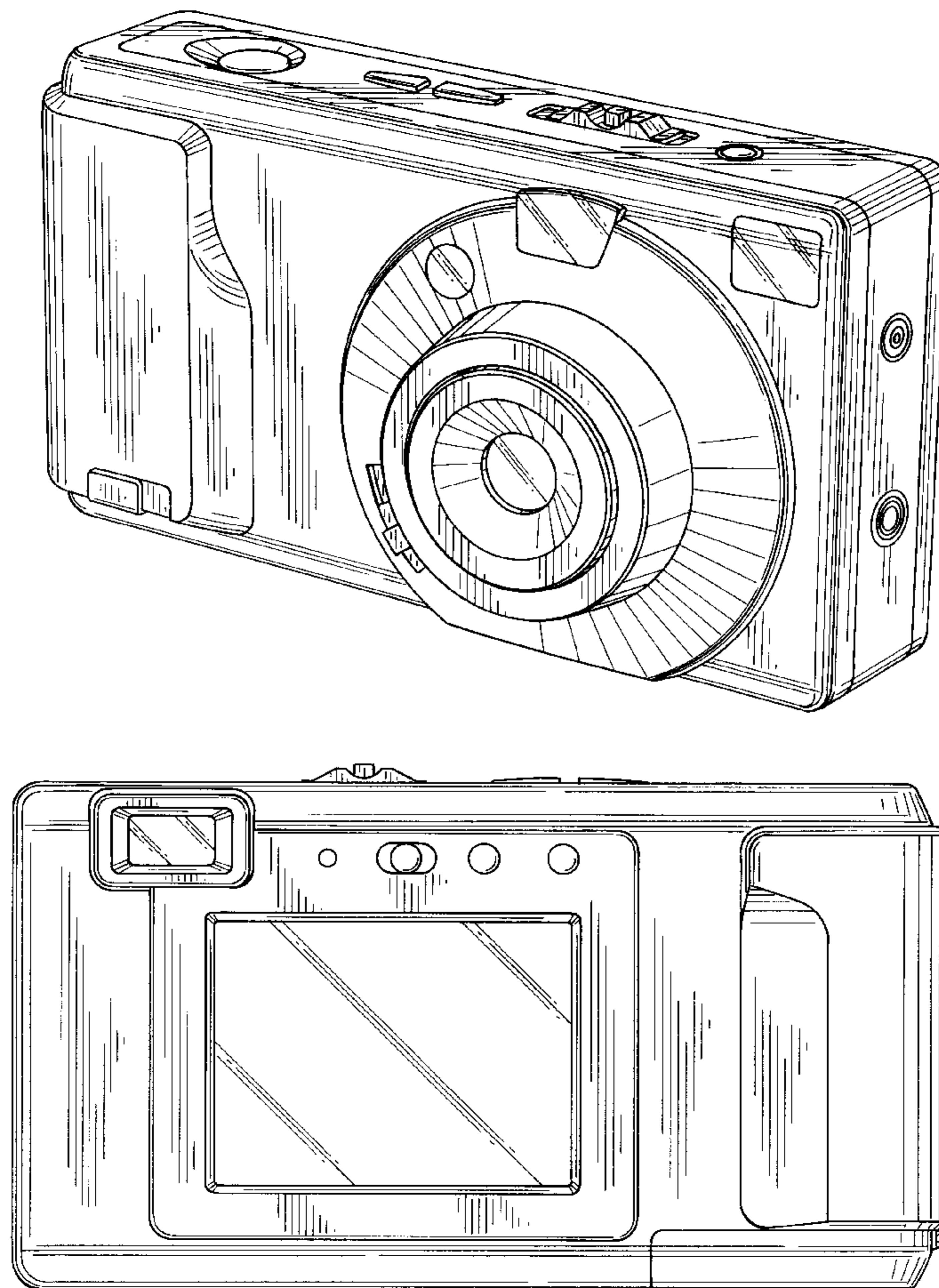


FIG. 1

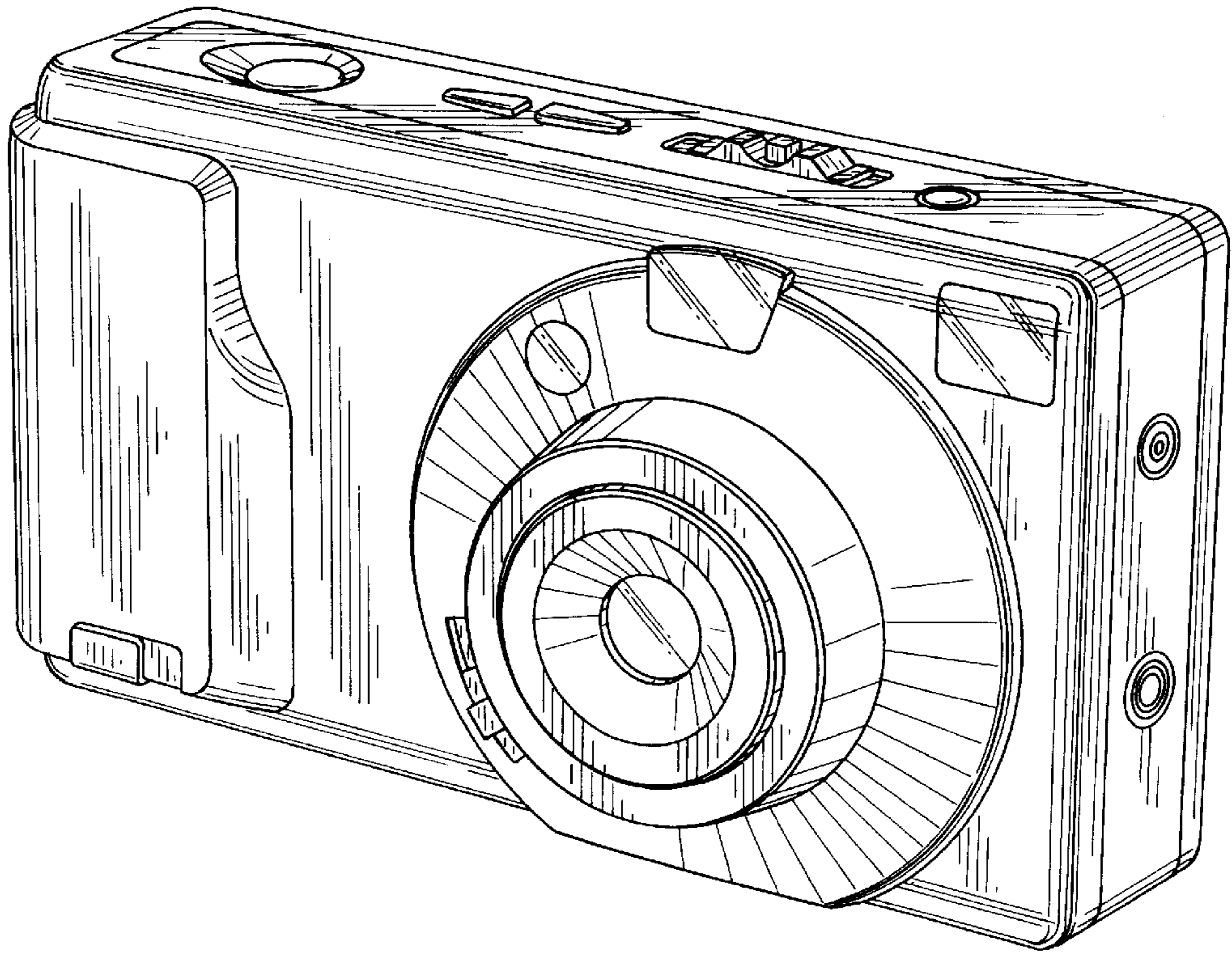


FIG. 2

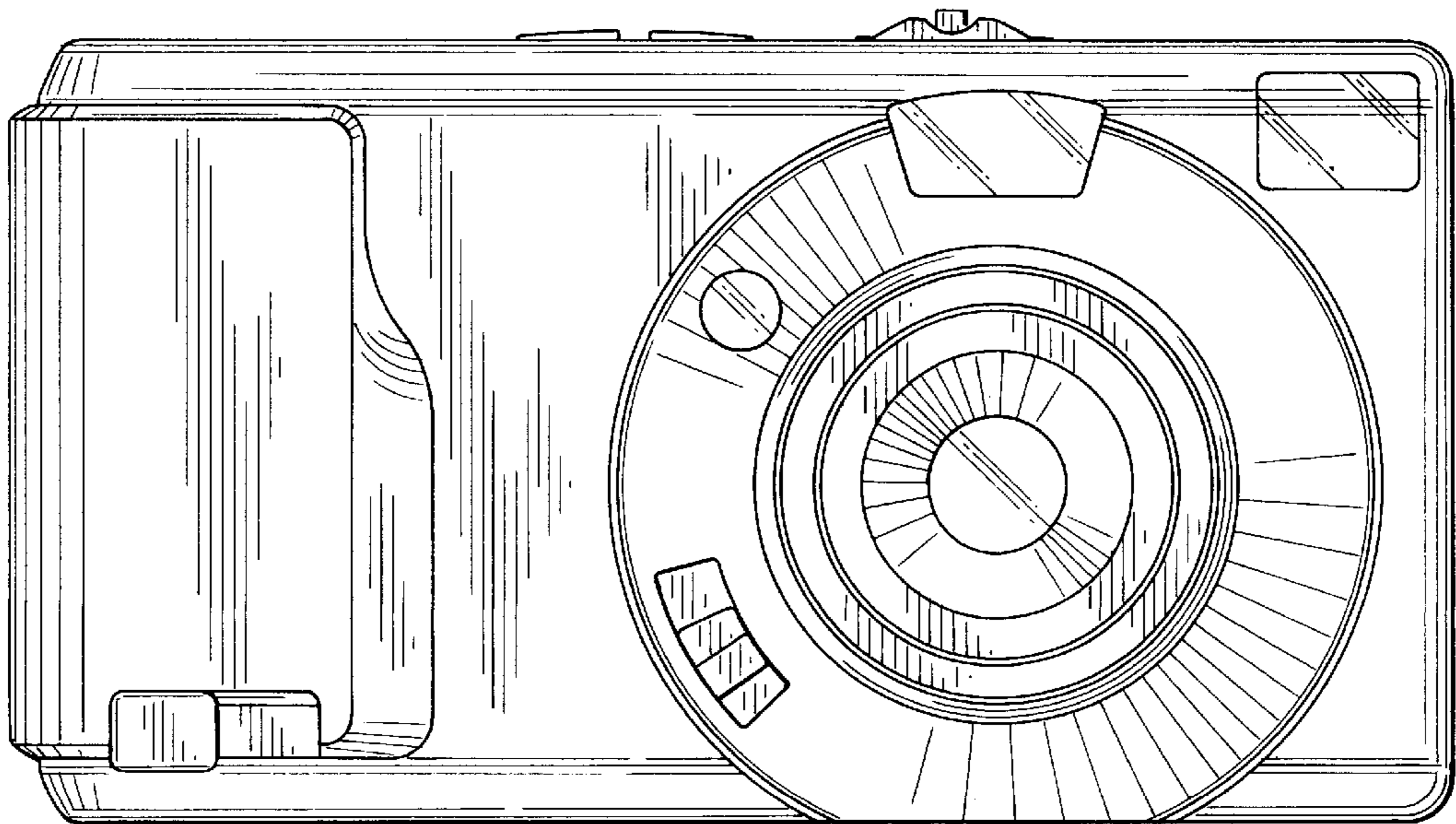


FIG. 3

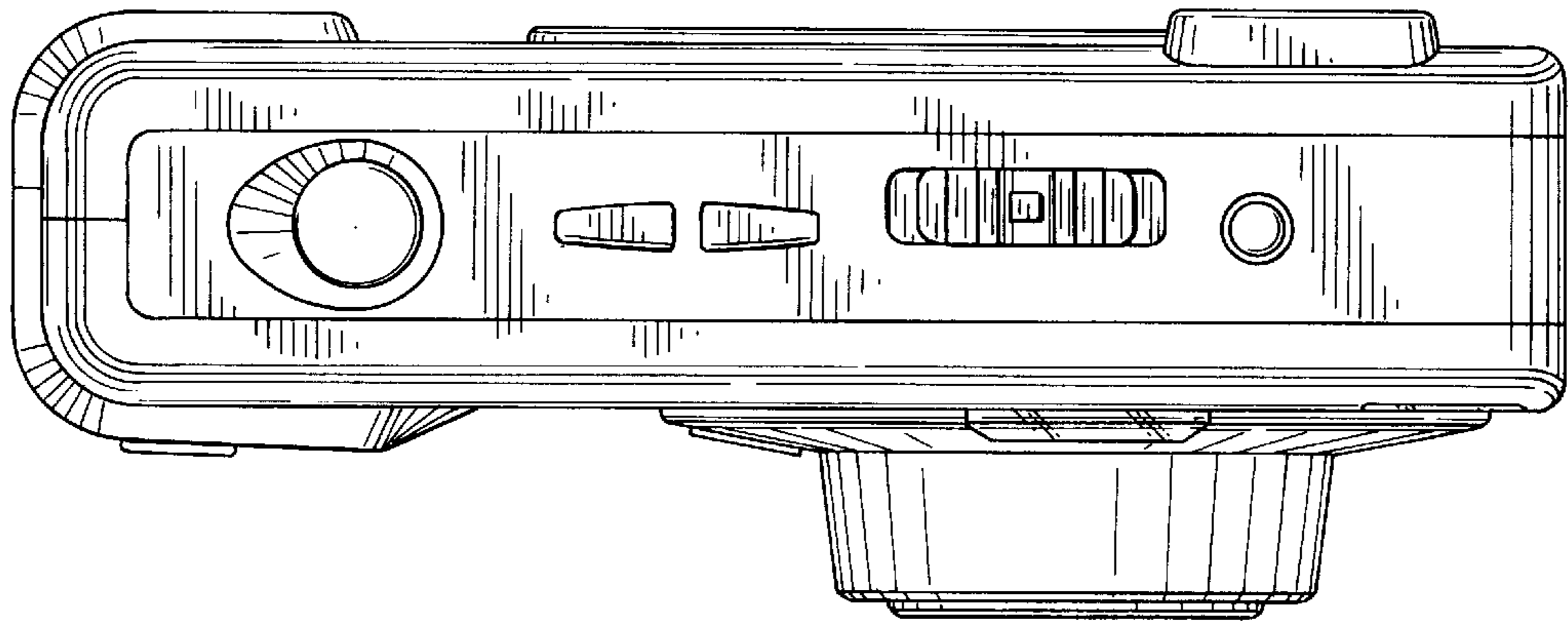


FIG. 4

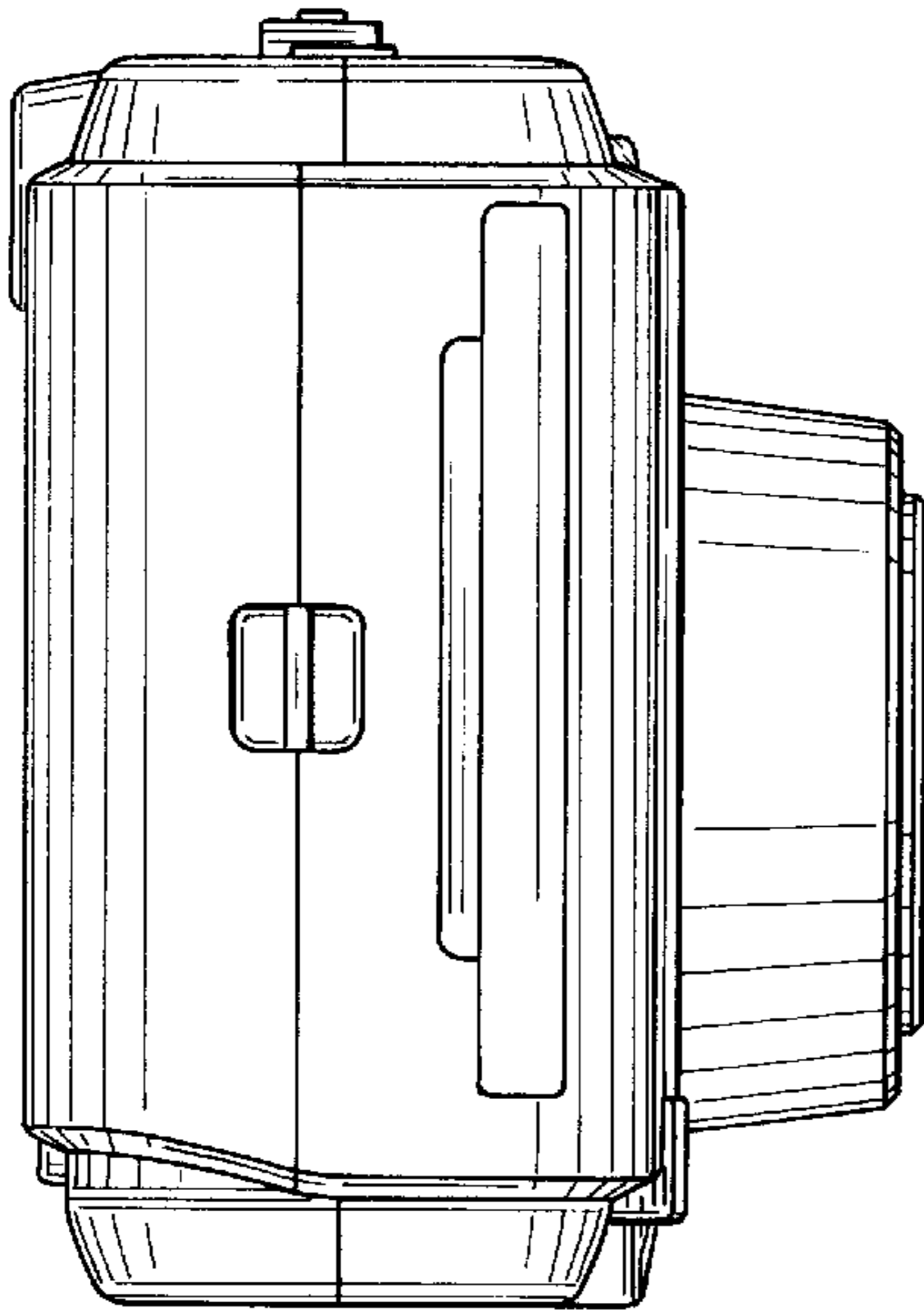


FIG. 5

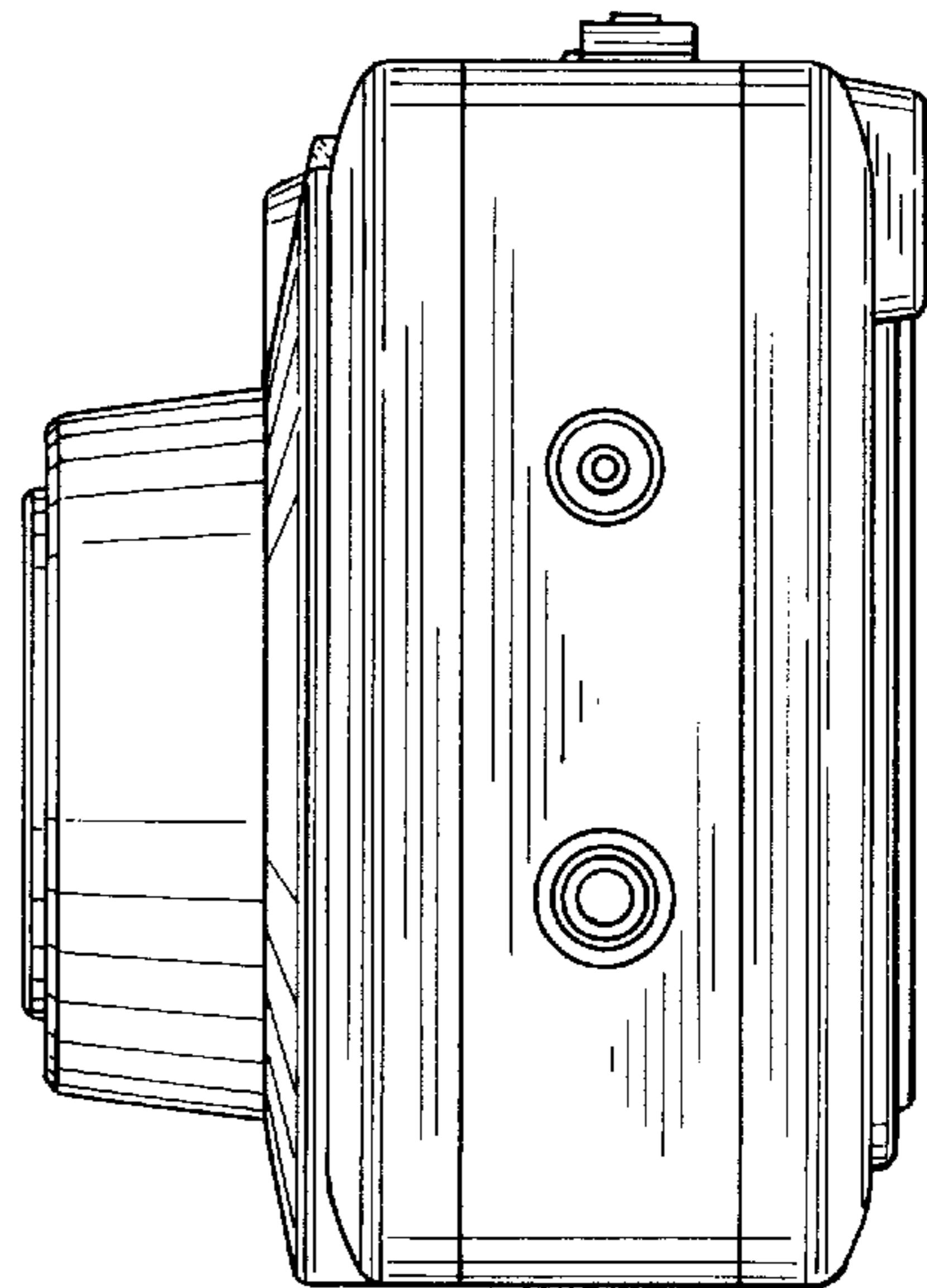


FIG. 6

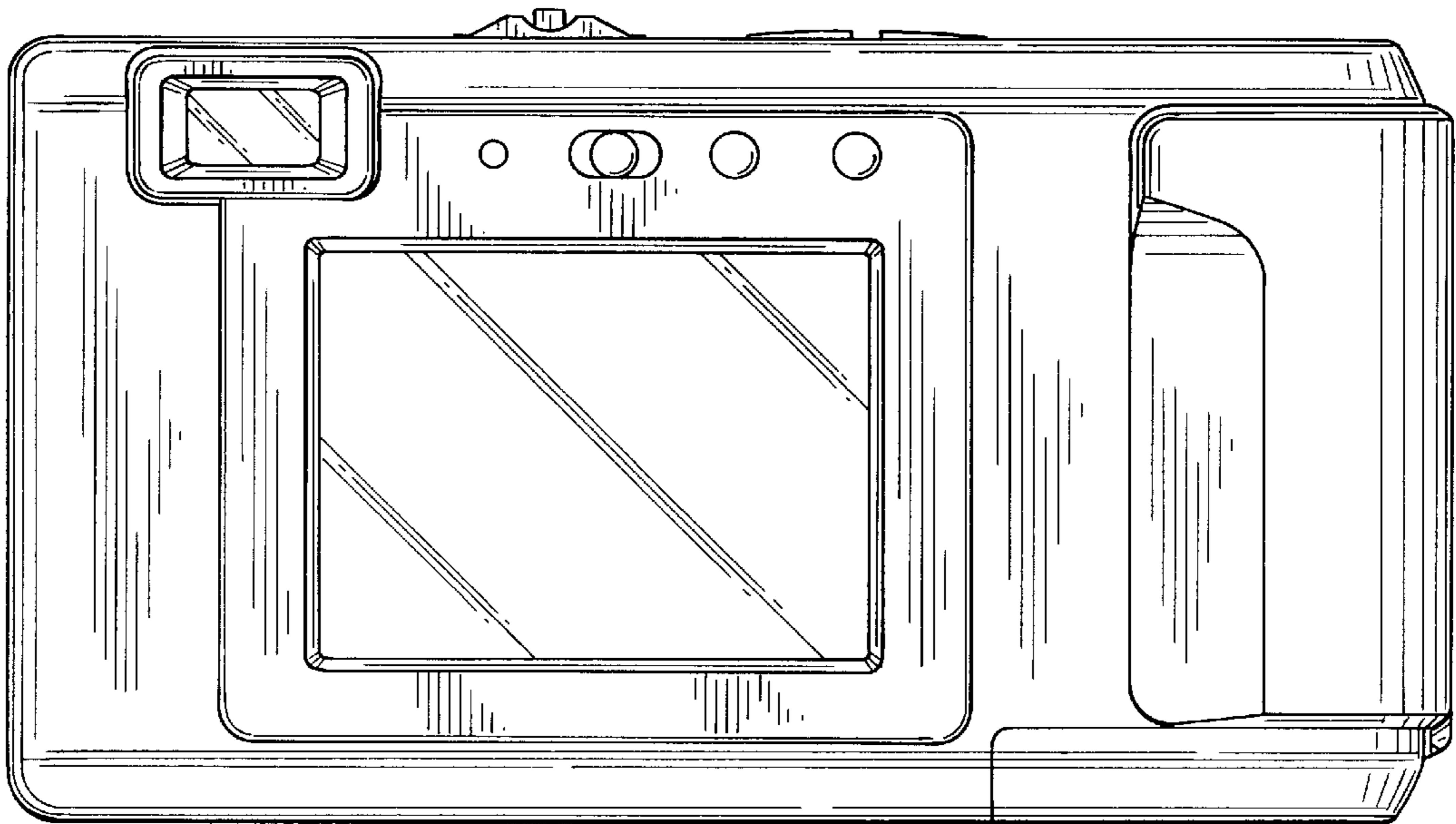


FIG. 7

