



US00D423030S

# United States Patent [19] Yuen

[11] **Patent Number: Des. 423,030**

[45] **Date of Patent: \*\* Apr. 18, 2000**

[54] **MAGNIFIER WITH LIGHT**

[75] **Inventor: Se Kit Yuen**, Kowloon, The Hong Kong Special Administrative Region of the People's Republic of China

[73] **Assignee: John Manufacturing Limited**, Kowloon, The Hong Kong Special Administrative Region of the People's Republic of China

[\*\*] **Term: 14 Years**

[21] **Appl. No.: 29/098,875**

[22] **Filed: Jan. 7, 1999**

[30] **Foreign Application Priority Data**

Dec. 3, 1998 [HK] The Hong Kong Special Administrative Region of the People's Republic of China ..... 9811568

[51] **LOC (6) Cl. .... 16-06**

[52] **U.S. Cl. .... D16/135**

[58] **Field of Search** ..... D16/130, 134, D16/135; D26/38, 44, 58; 359/802, 803, 804, 805, 808, 809, 811, 812, 817; 362/109; D28/64.6, 38

[56] **References Cited**

**U.S. PATENT DOCUMENTS**

D. 217,506	5/1970	Knoetgen	.....	D16/135
D. 269,275	6/1983	Tweedie	.....	D16/135
D. 291,448	8/1987	Tai-Kam	.....	D16/135
D. 298,634	11/1988	Yuen	.....	D26/44
D. 303,119	8/1989	Steel et al.	.....	D16/135
D. 324,060	2/1992	Huang	.....	D16/135
D. 333,313	2/1993	Hornschu et al.	.....	D16/135
1,909,662	5/1933	Connors	.....	359/803

*Primary Examiner*—Paula A. Mortimer  
*Attorney, Agent, or Firm*—Pillsbury Madison & Sutro LLP

[57] **CLAIM**

The ornamental design for a magnifier with light, as shown and described.

**DESCRIPTION**

FIG. 1 a top view plan of a magnifier with light showing my design;  
FIG. 2 is a bottom view thereof;  
FIG. 3 is a left end view thereof;  
FIG. 4 is a front elevation thereof;  
FIG. 5 is a right end view thereof; and,  
FIG. 6 is a rear elevation thereof.

**1 Claim, 2 Drawing Sheets**

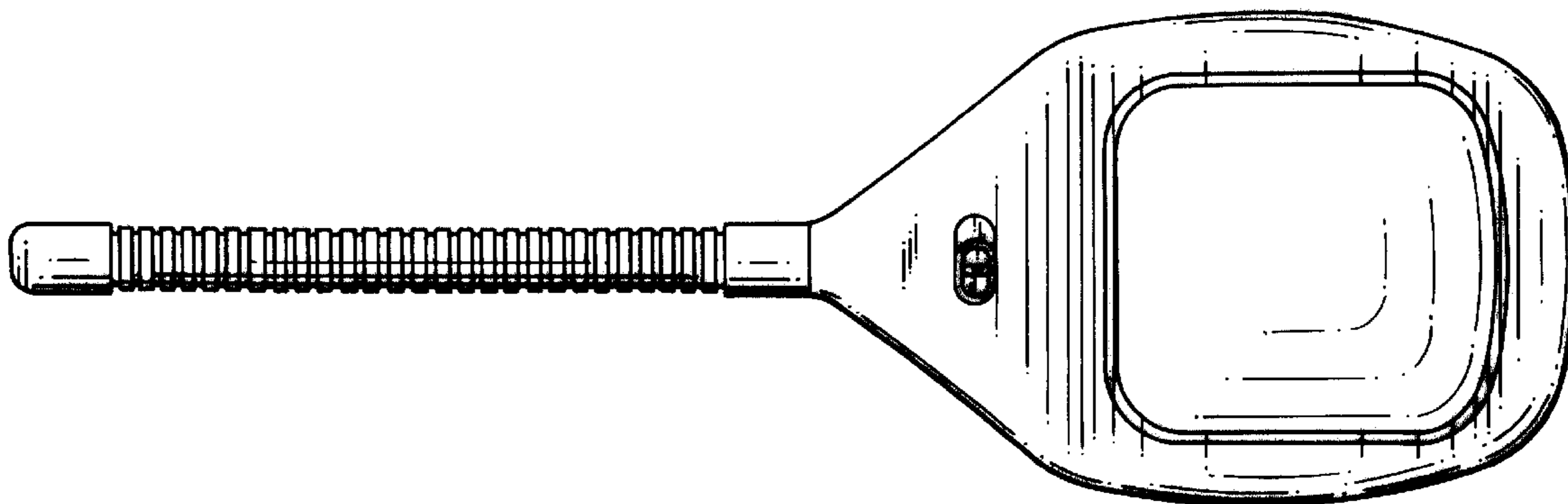


FIG. 1

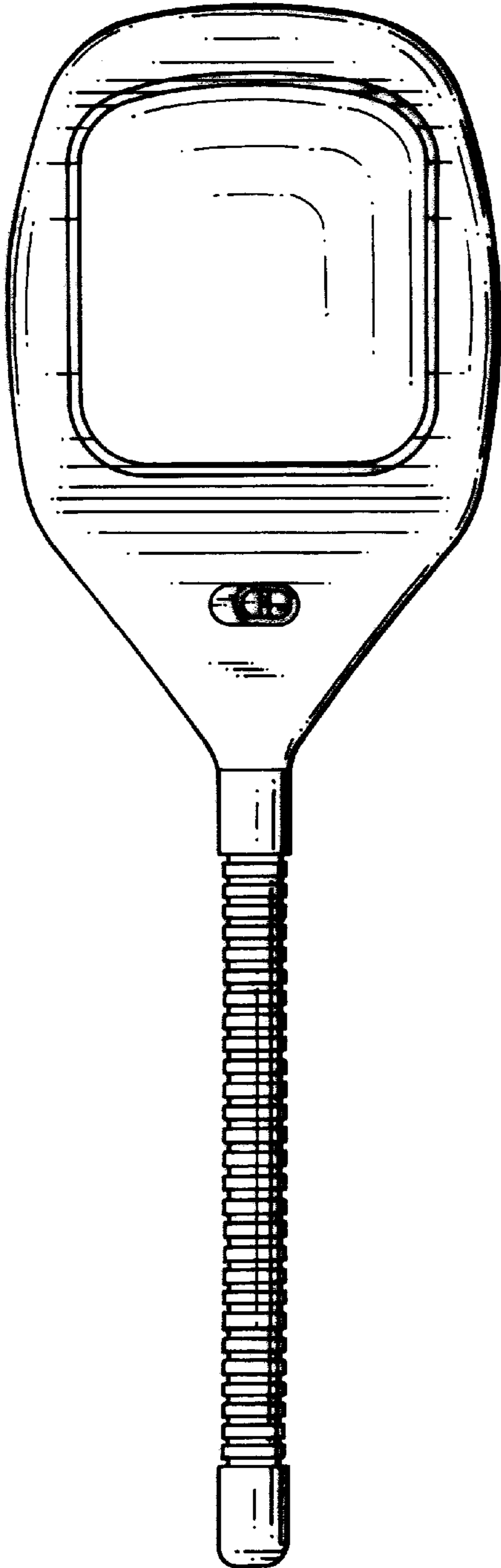


FIG. 2

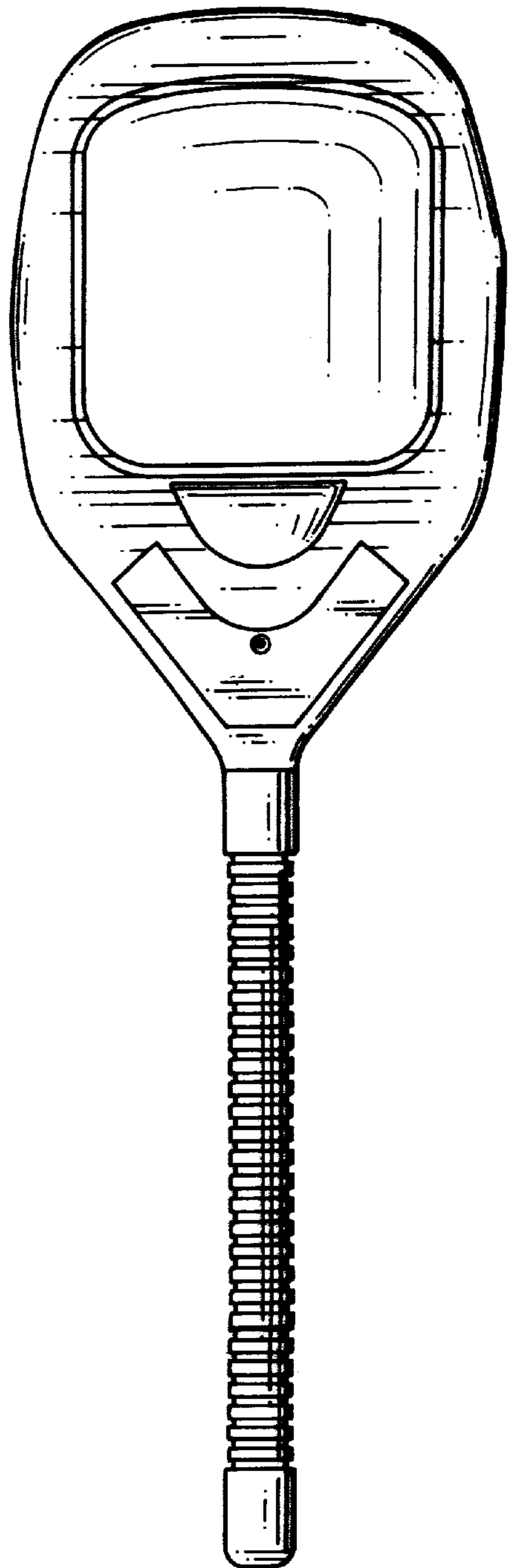




FIG. 3



FIG. 4



FIG. 5



FIG. 6