



US00D423028S

United States Patent [19]
Okura et al.

[11] **Patent Number: Des. 423,028**

[45] **Date of Patent: ** Apr. 18, 2000**

[54] **COIL**

5,973,677 10/1999 Gibbons 320/115 X

[75] Inventors: **Hideki Okura; Satoru Taniguchi**, both of Mie, Japan

FOREIGN PATENT DOCUMENTS

872221 7/1993 Japan .

[73] Assignee: **Matsushita Electric Industrial Co., Ltd.**, Japan

Primary Examiner—Antoine Duval Davis
Attorney, Agent, or Firm—Saidman DesignLaw Group

[**] Term: **14 Years**

[57] **CLAIM**

[21] Appl. No.: **29/100,677**

The ornamental design for a coil, as shown and described.

[22] Filed: **Feb. 16, 1999**

DESCRIPTION

[30] **Foreign Application Priority Data**

Aug. 26, 1998 [JP] Japan 10-24441

FIG. 1 is a perspective view of the top, front and left side of a coil showing our new design;

[51] **LOC (6) Cl.** **15-99**

FIG. 2 is a top plan view thereof;

[52] **U.S. Cl.** **D15/199**

FIG. 3 is a front view thereof;

[58] **Field of Search** D15/199; 320/108, 320/115, DIG. 21; 363/17, 98, 132

FIG. 4 is a left side view thereof;

FIG. 5 is a right side view thereof;

FIG. 6 is a rear view thereof; and,

FIG. 7 is a bottom view thereof.

[56] **References Cited**

U.S. PATENT DOCUMENTS

5,959,433 9/1999 Rohde 320/108 X

1 Claim, 2 Drawing Sheets

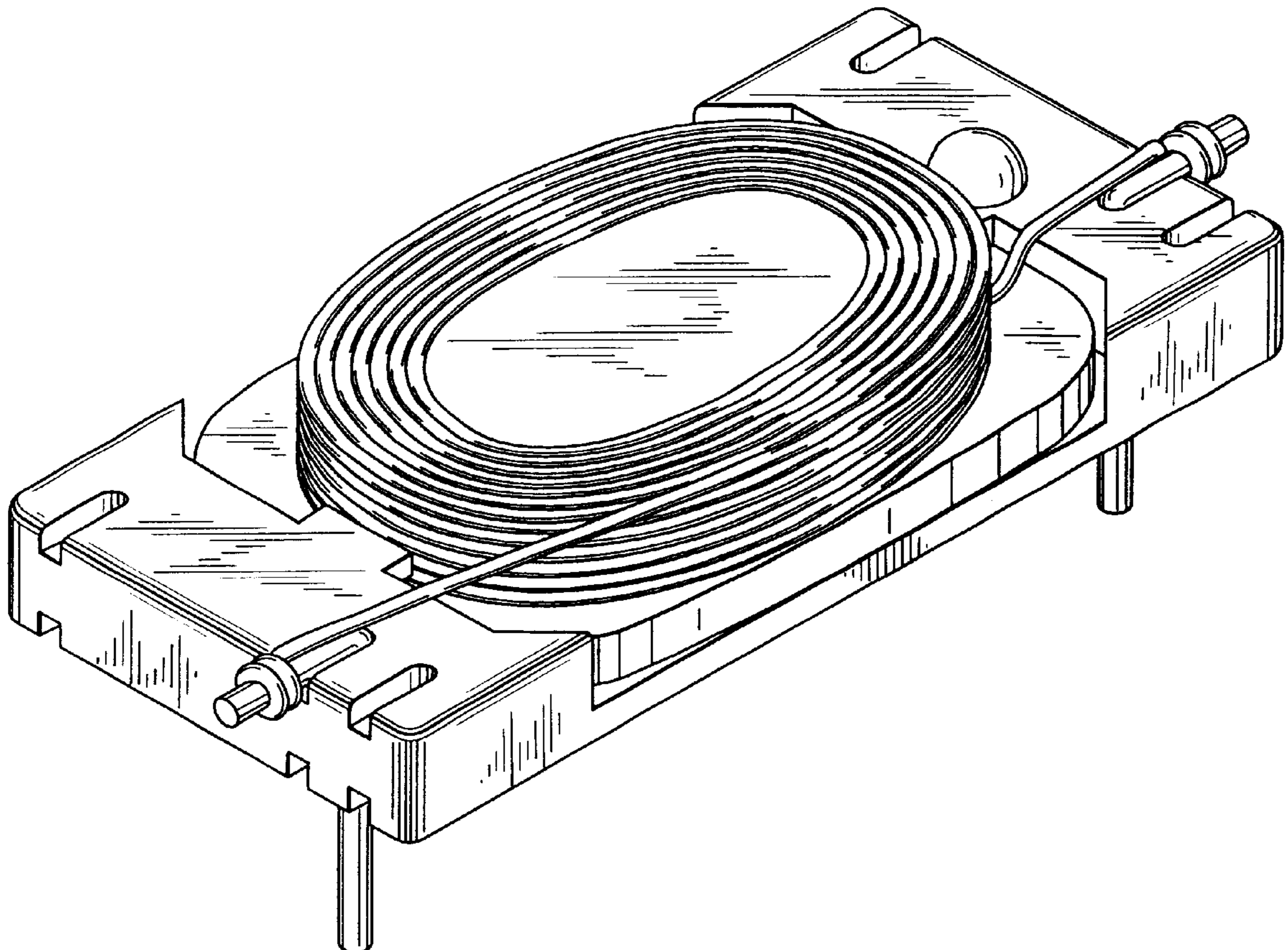


FIG. 1

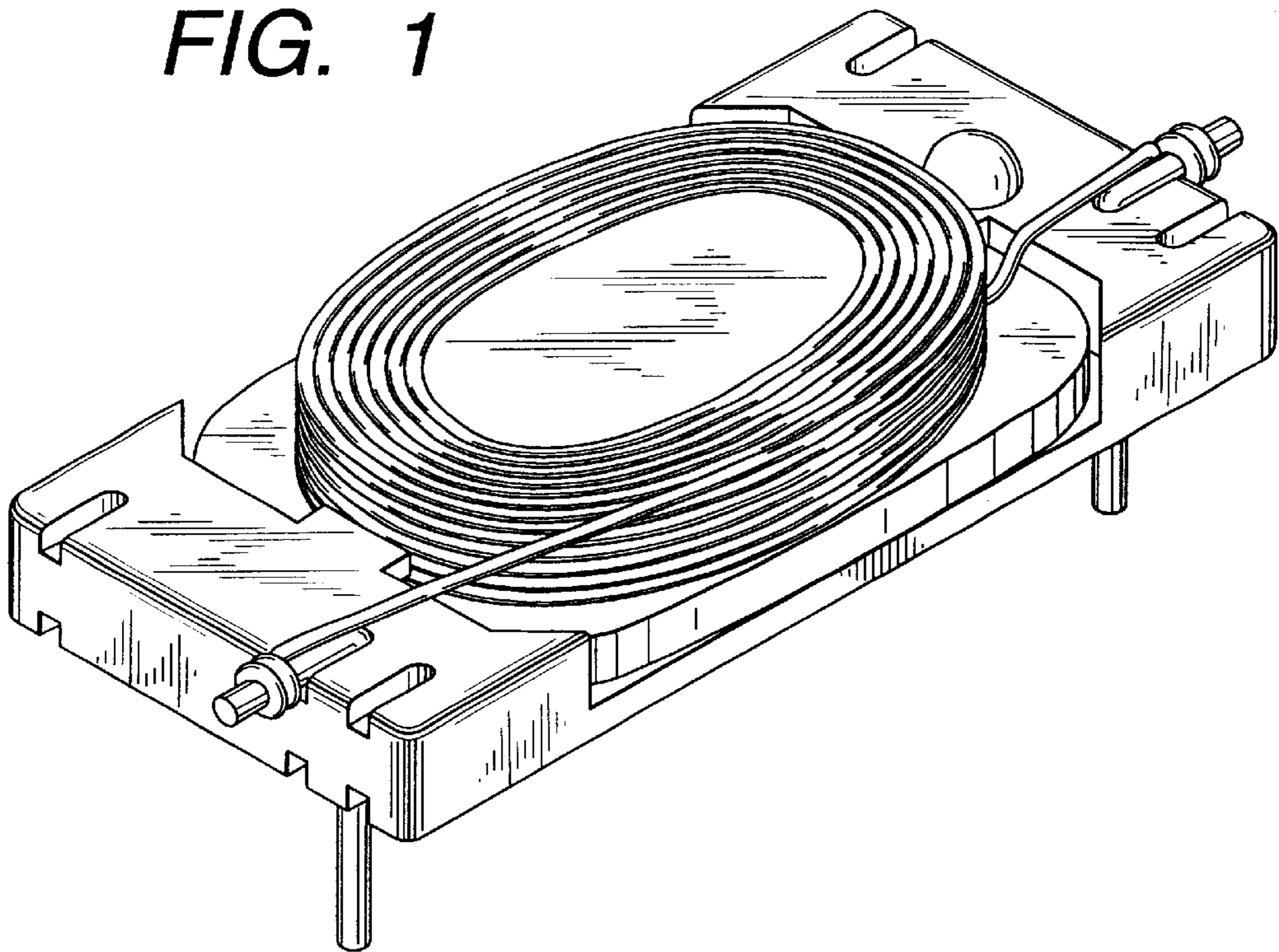


FIG. 2

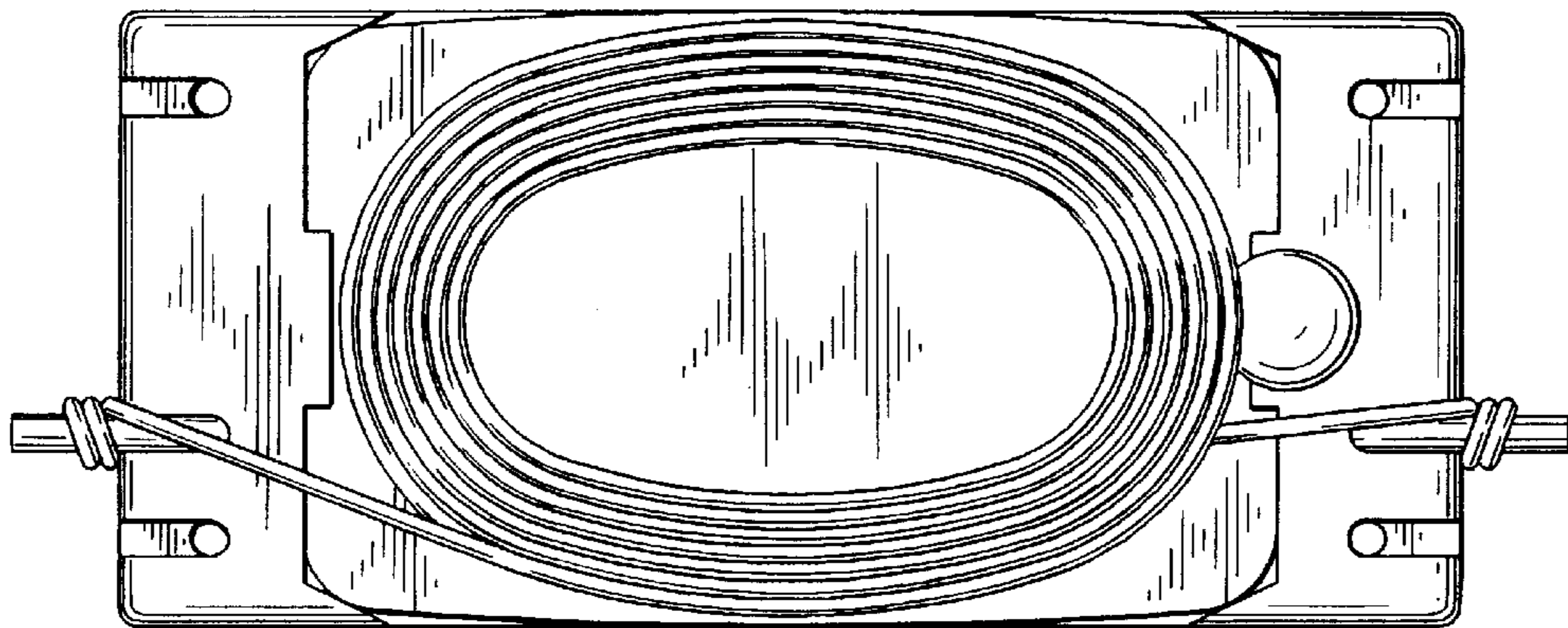


FIG. 3

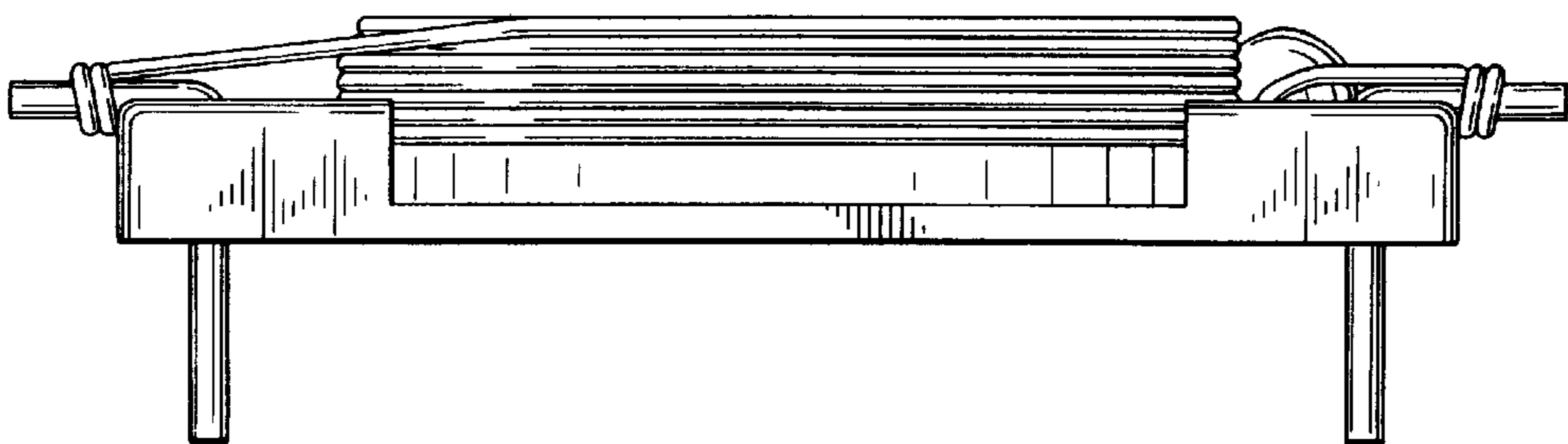


FIG. 4

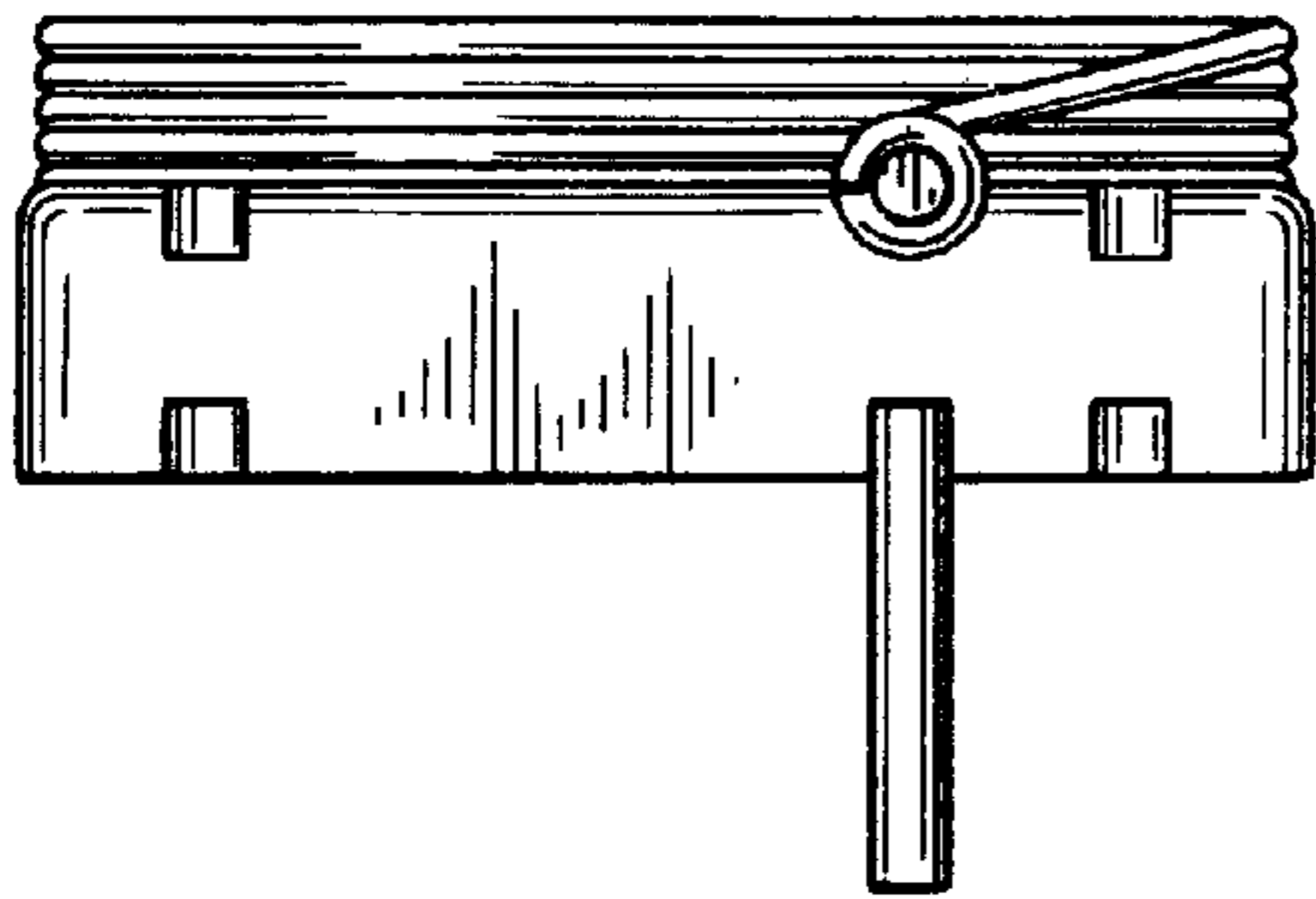


FIG. 5

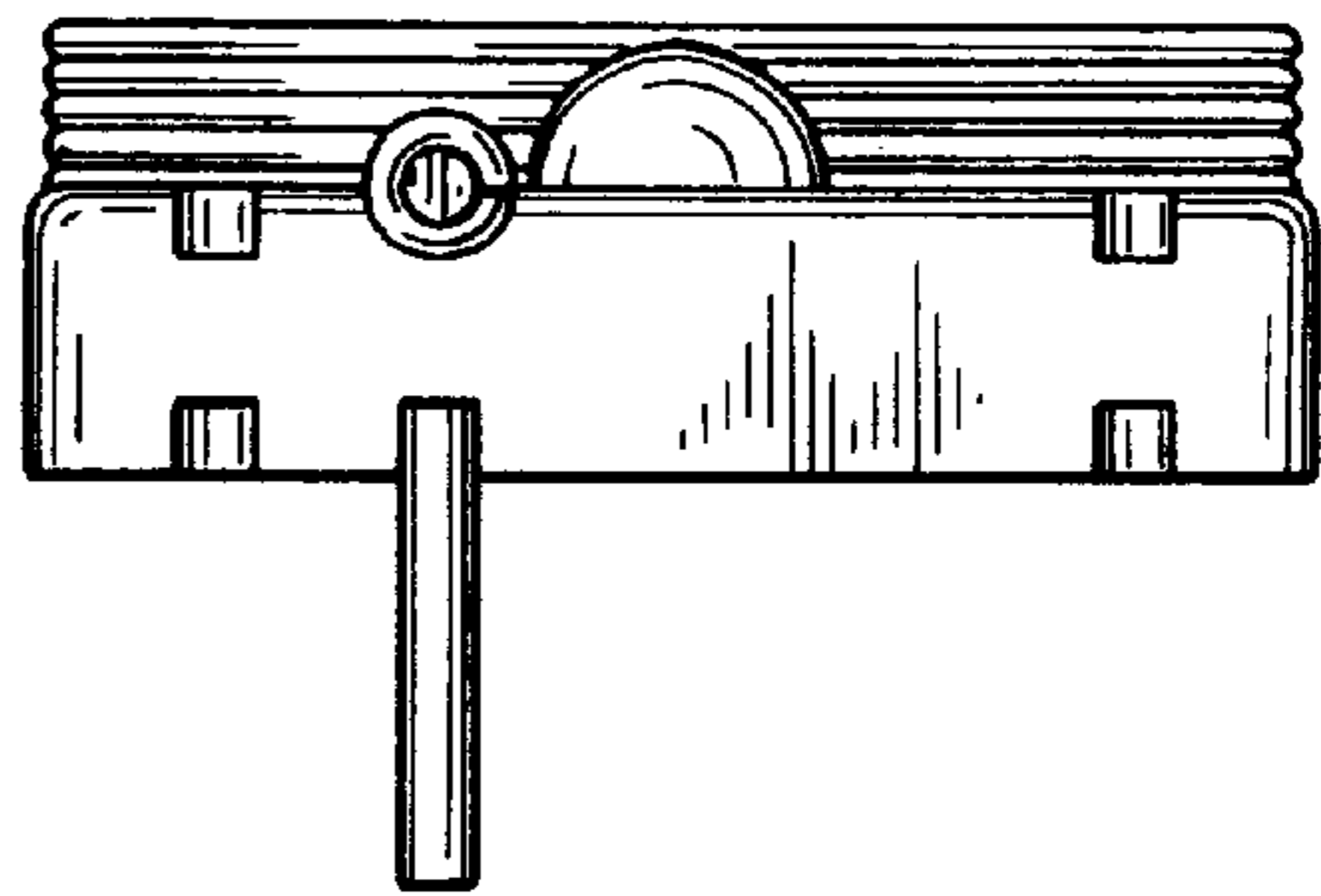


FIG. 6

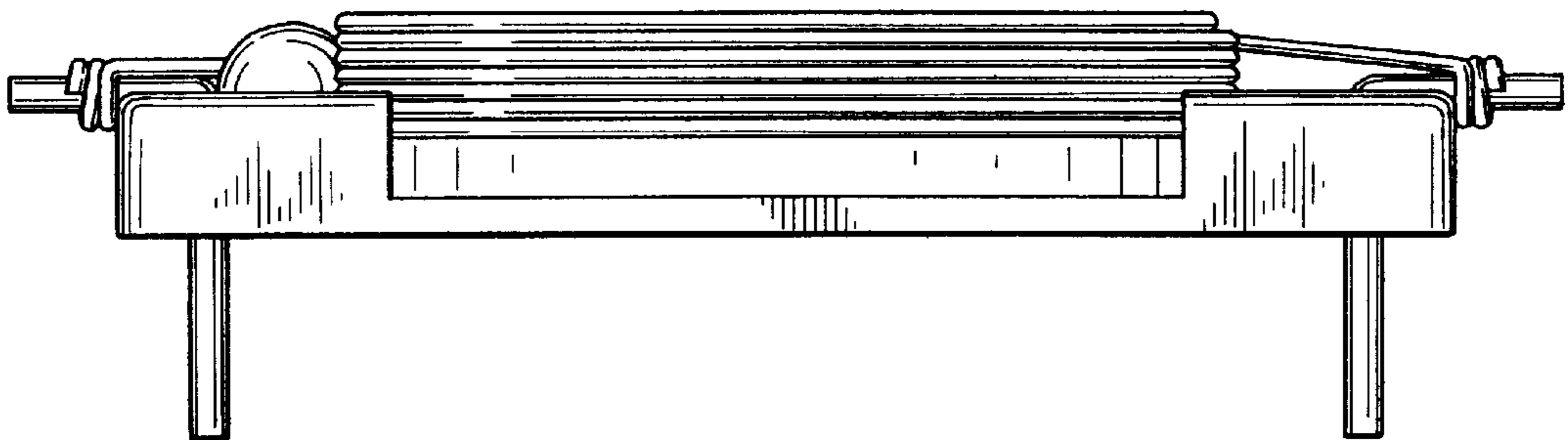


FIG. 7

