



US00D423026S

United States Patent [19]
Shimazu

[11] **Patent Number: Des. 423,026**
[45] **Date of Patent: ** Apr. 18, 2000**

[54] **QUARTZ COVER**

[75] Inventor: **Tomohisa Shimazu**, Shiroyama-Machi,
Japan

[73] Assignee: **Tokyo Electron Limited**, Tokyo-To,
Japan

[**] Term: **14 Years**

[21] Appl. No.: **29/083,714**

[22] Filed: **Feb. 12, 1998**

[30] **Foreign Application Priority Data**

Aug. 20, 1997 [JP] Japan 9-65102

[51] **LOC (6) Cl.** **15-09**

[52] **U.S. Cl.** **D15/144.1**

[58] **Field of Search** D15/144, 144.1,
D15/144.2; 432/241, 152, 253, 5, 6

[56] **References Cited**

U.S. PATENT DOCUMENTS

5,718,574 2/1998 Shimazu 432/253
5,820,367 10/1998 Osawa 432/253

Primary Examiner—Antoine Duval Davis
Attorney, Agent, or Firm—Ladas & Parry

[57] **CLAIM**

I claim the ornamental design for quartz cover, as shown and described.

DESCRIPTION

FIG. 1 perspective view of a quartz cover.
FIG. 2 a top plan view thereof.
FIG. 3 a bottom plan view thereof.
FIG. 4 a front elevational view thereof; and,
FIG. 5 a cross-sectional view taken along line V—V in FIG. 2.

1 Claim, 1 Drawing Sheet

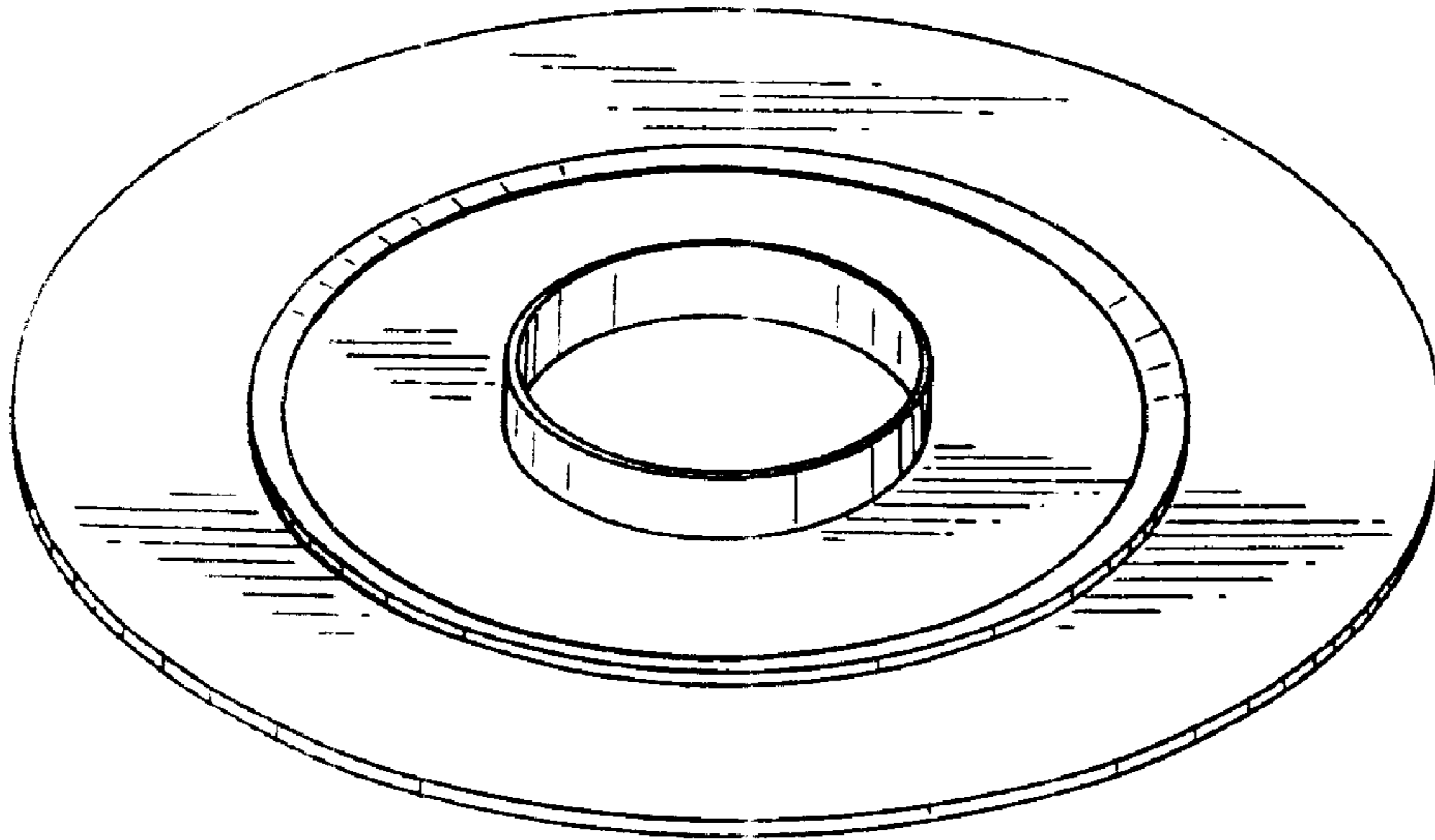


FIG. 1

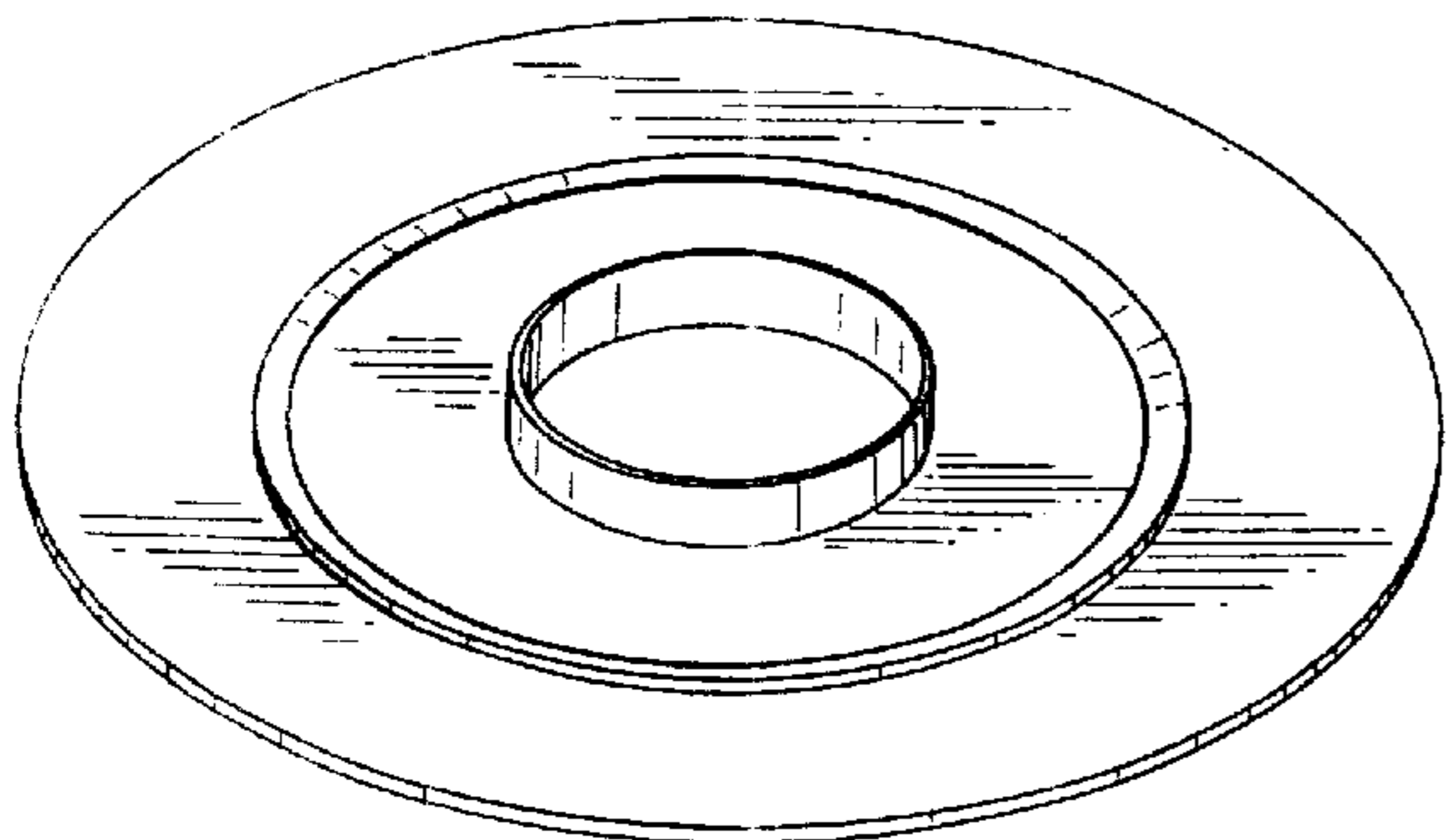


FIG. 2

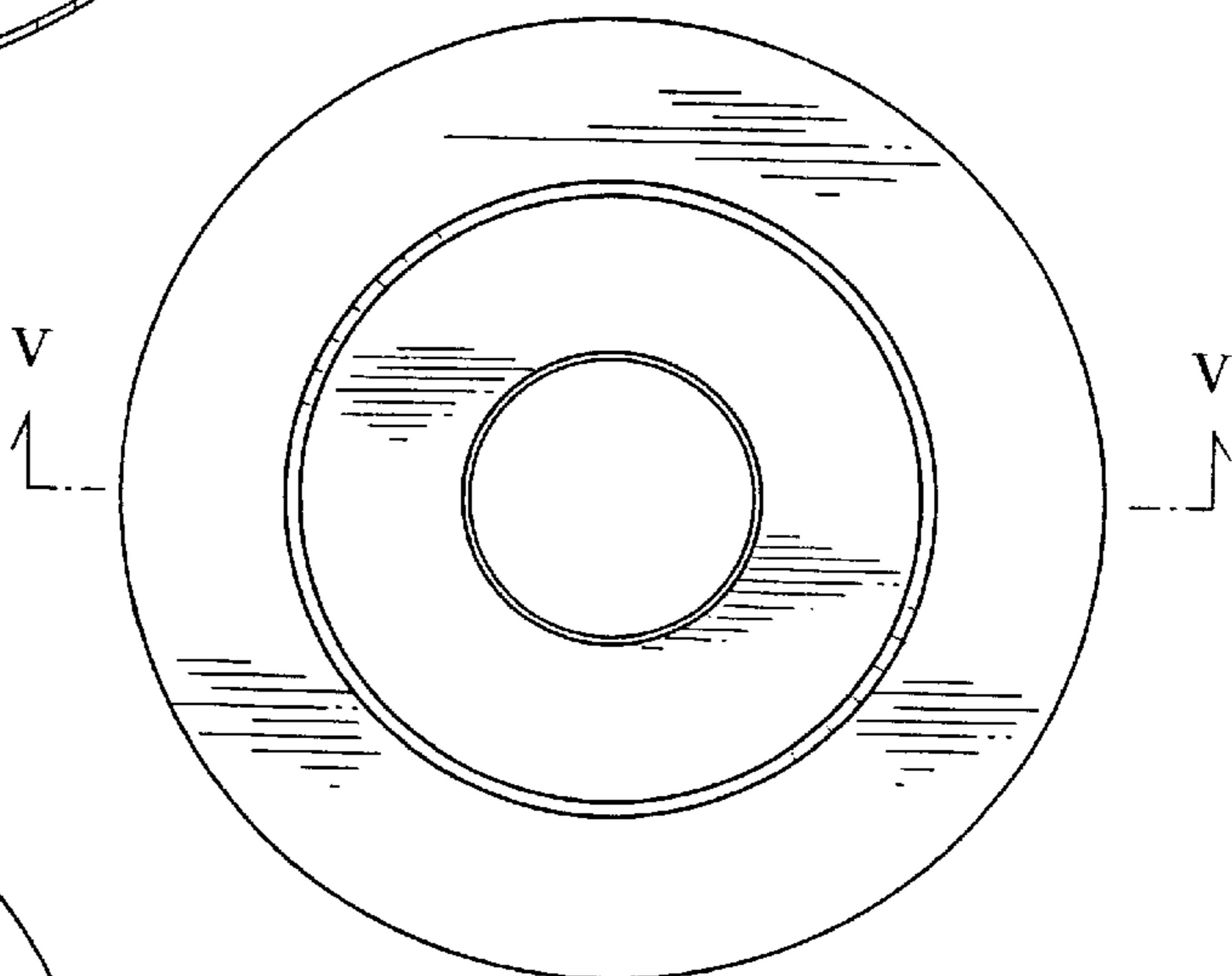


FIG. 3

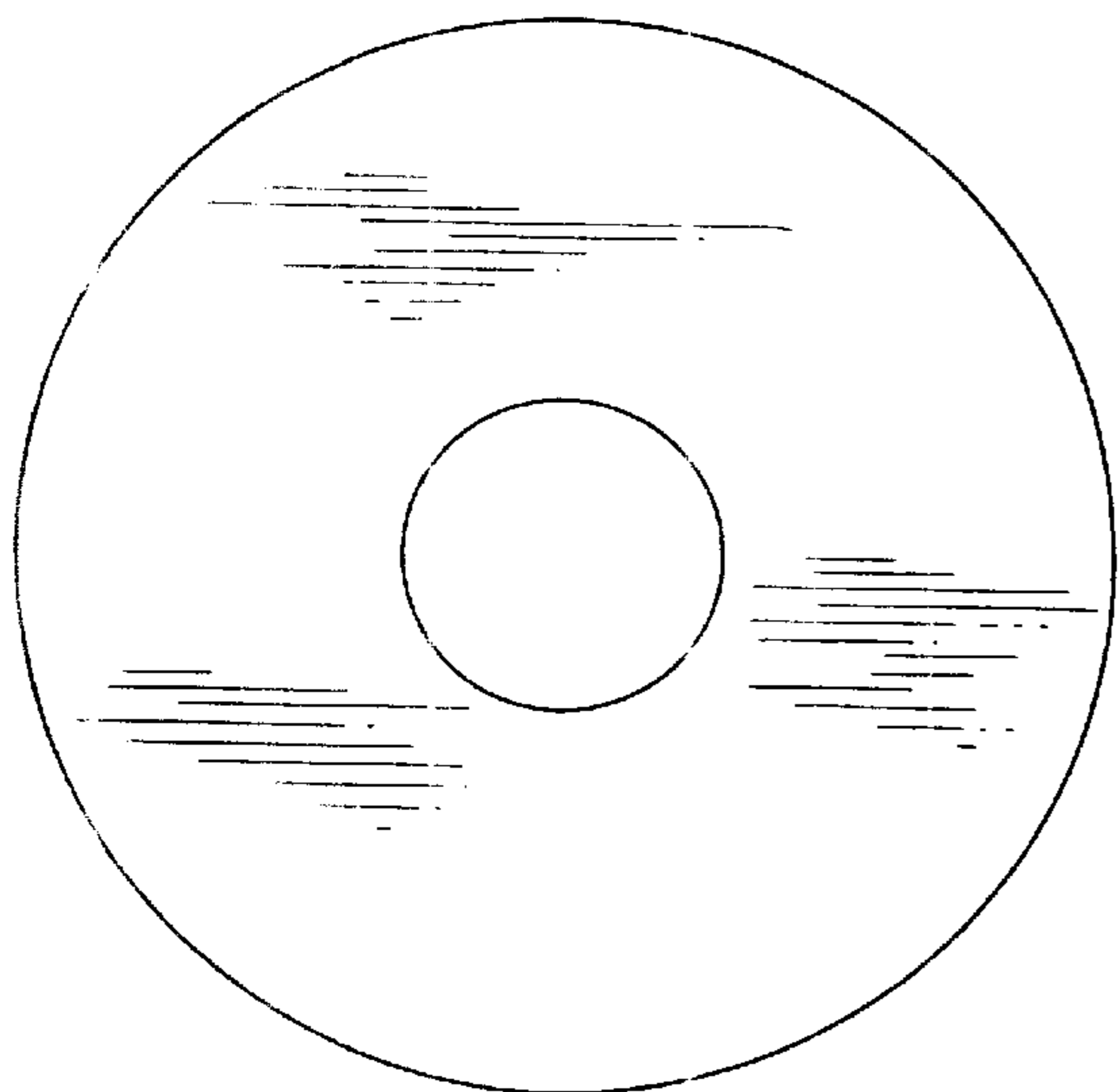


FIG. 4

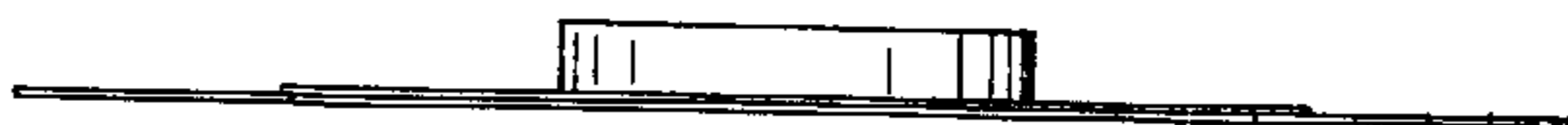


FIG. 5

