



US00D423023S

United States Patent [19]
Strong et al.

[11] **Patent Number: Des. 423,023**
[45] **Date of Patent: ** Apr. 18, 2000**

[54] **RAPID PROTOTYPE MACHINE**
[75] Inventors: **Bruce Strong**, Grand Junction, Colo.;
Jon Jody Fong, Calabasas, Calif.
[73] Assignee: **3D Systems, Inc.**, Valencia, Calif.
[**] Term: **14 Years**
[21] Appl. No.: **29/109,896**
[22] Filed: **Aug. 25, 1999**

Related U.S. Application Data

[63] Continuation-in-part of application No. 29/101,283, Feb. 25, 1999.
[51] **LOC (6) Cl.** **15-04**
[52] **U.S. Cl.** **D15/135**
[58] **Field of Search** D15/135; 425/215, 425/451.9, 546, DIG. 44; 432/161; 438/106, 129; 266/242; 257/210, 209, 211; 700/119; 249/168

[56] **References Cited**
U.S. PATENT DOCUMENTS
D. 336,479 6/1993 Shinagawa et al. D15/135
D. 337,334 7/1993 Matsui et al. D15/135
D. 357,484 4/1995 Montague et al. D15/135

Primary Examiner—Antoine Duval Davis
Attorney, Agent, or Firm—Ralph D’Alessandro

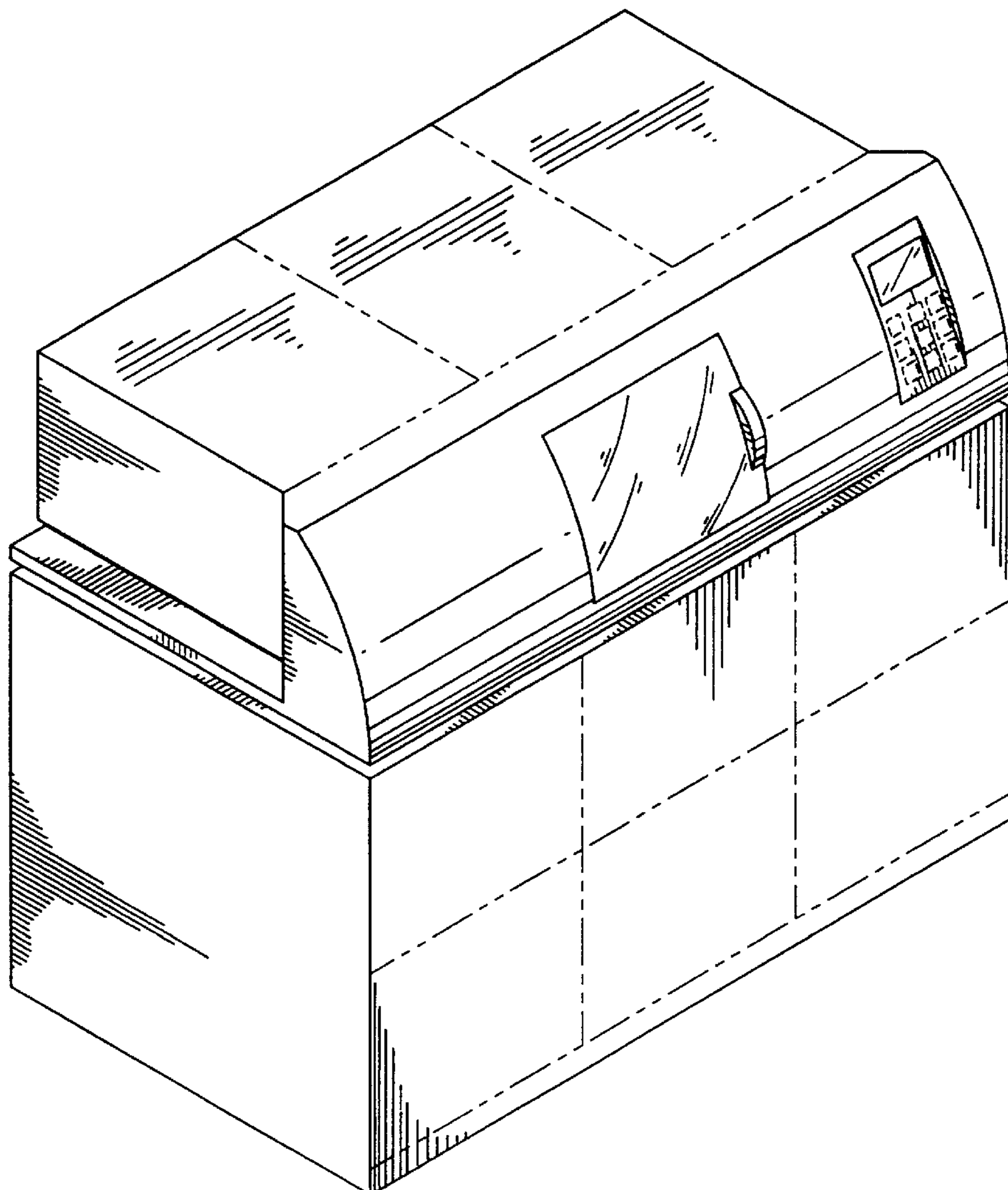
[57] **CLAIM**

The ornamental design for a rapid prototype machine, as shown and described.

DESCRIPTION

FIG. 1 is a perspective view of the rapid prototype machine; FIG. 2 is a frontal view of the rapid prototype machine; FIG. 3 is a rear view of the rapid prototype machine; FIG. 4 is a side view of the rapid prototype machine; and, FIG. 5 is a top view of the rapid prototype machine. The broken line showing is for illustrative purposes only and forms no part of the claimed design.

1 Claim, 3 Drawing Sheets



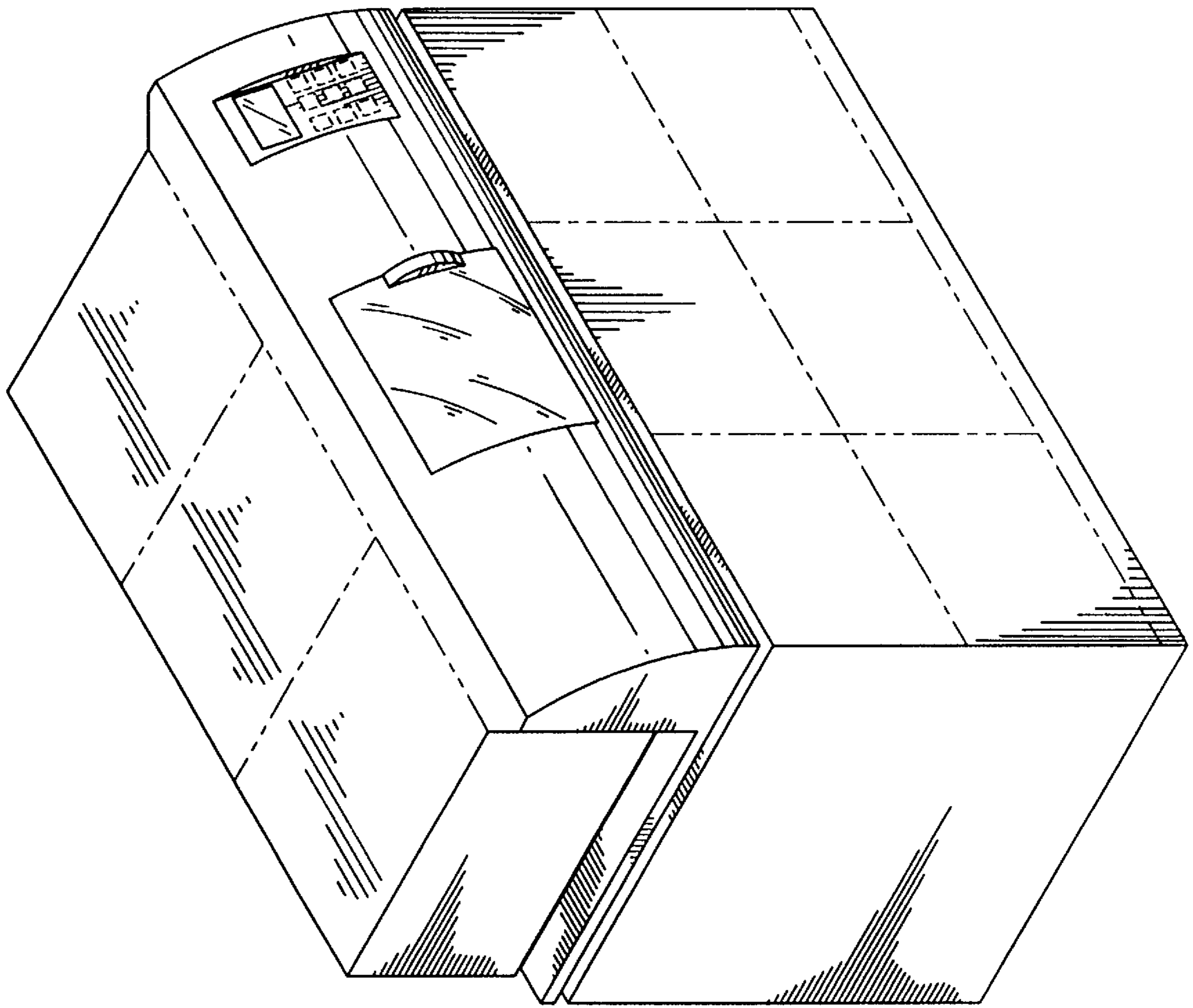


FIG. 1

FIG. 2

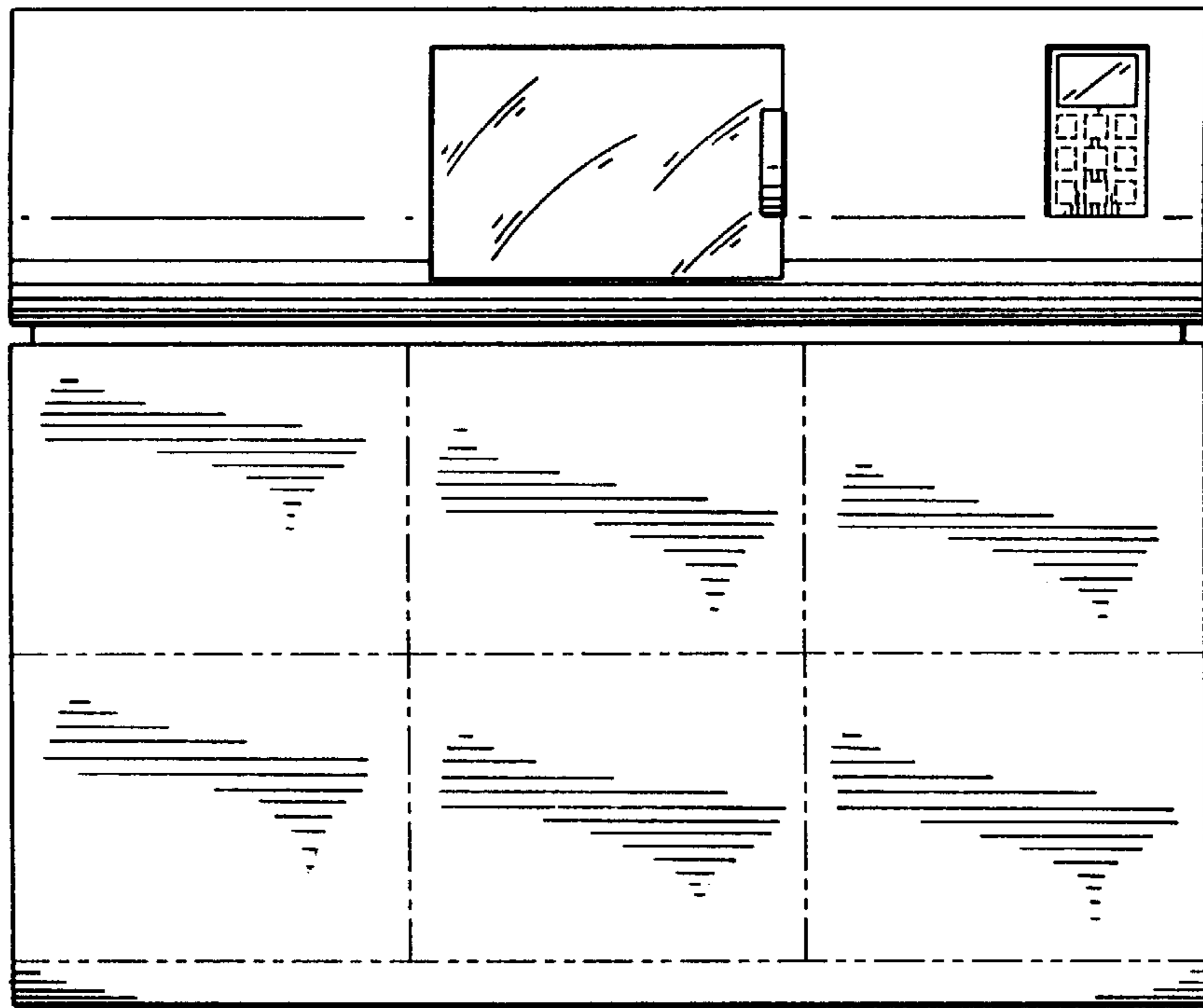


FIG. 3

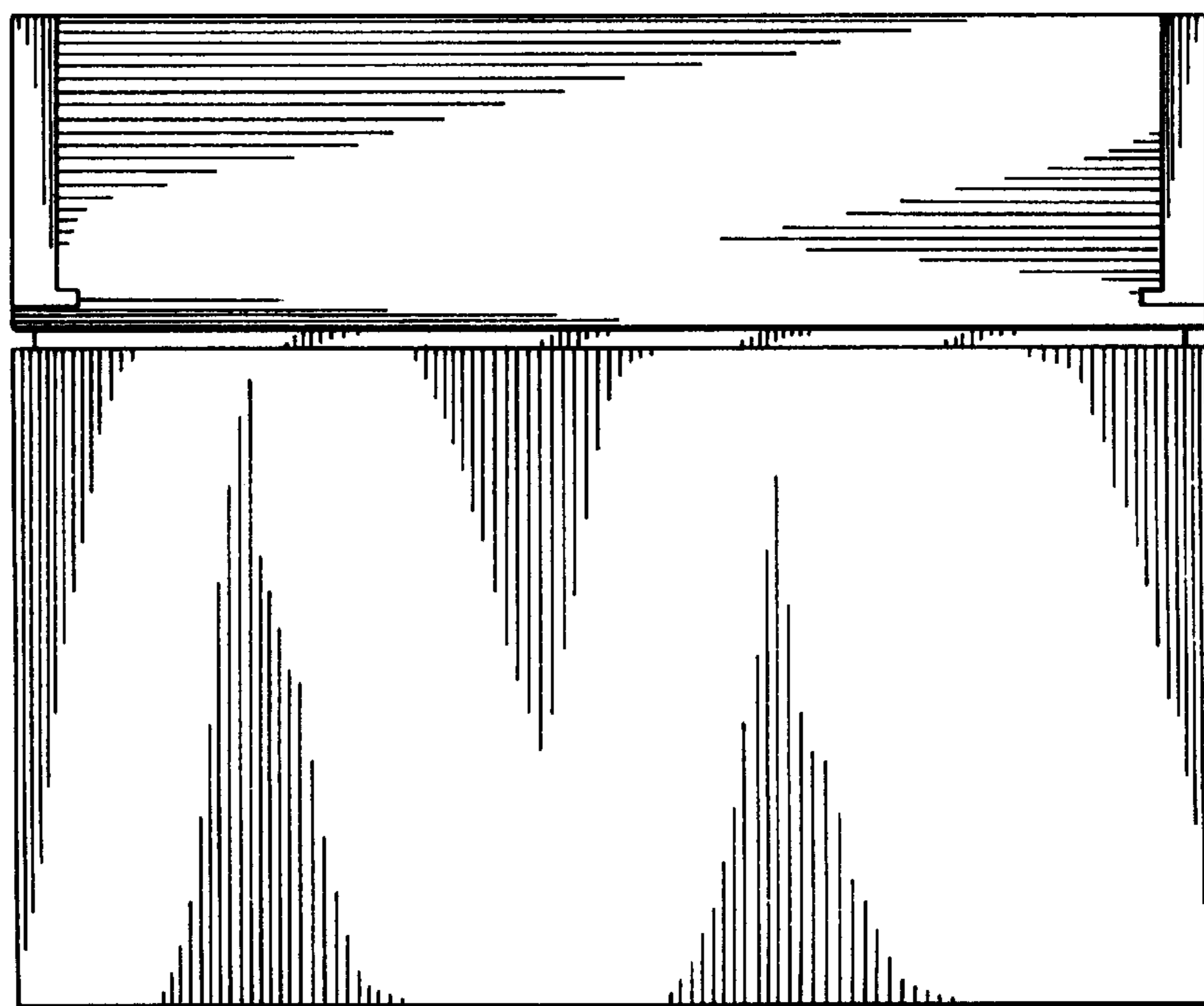


FIG. 4

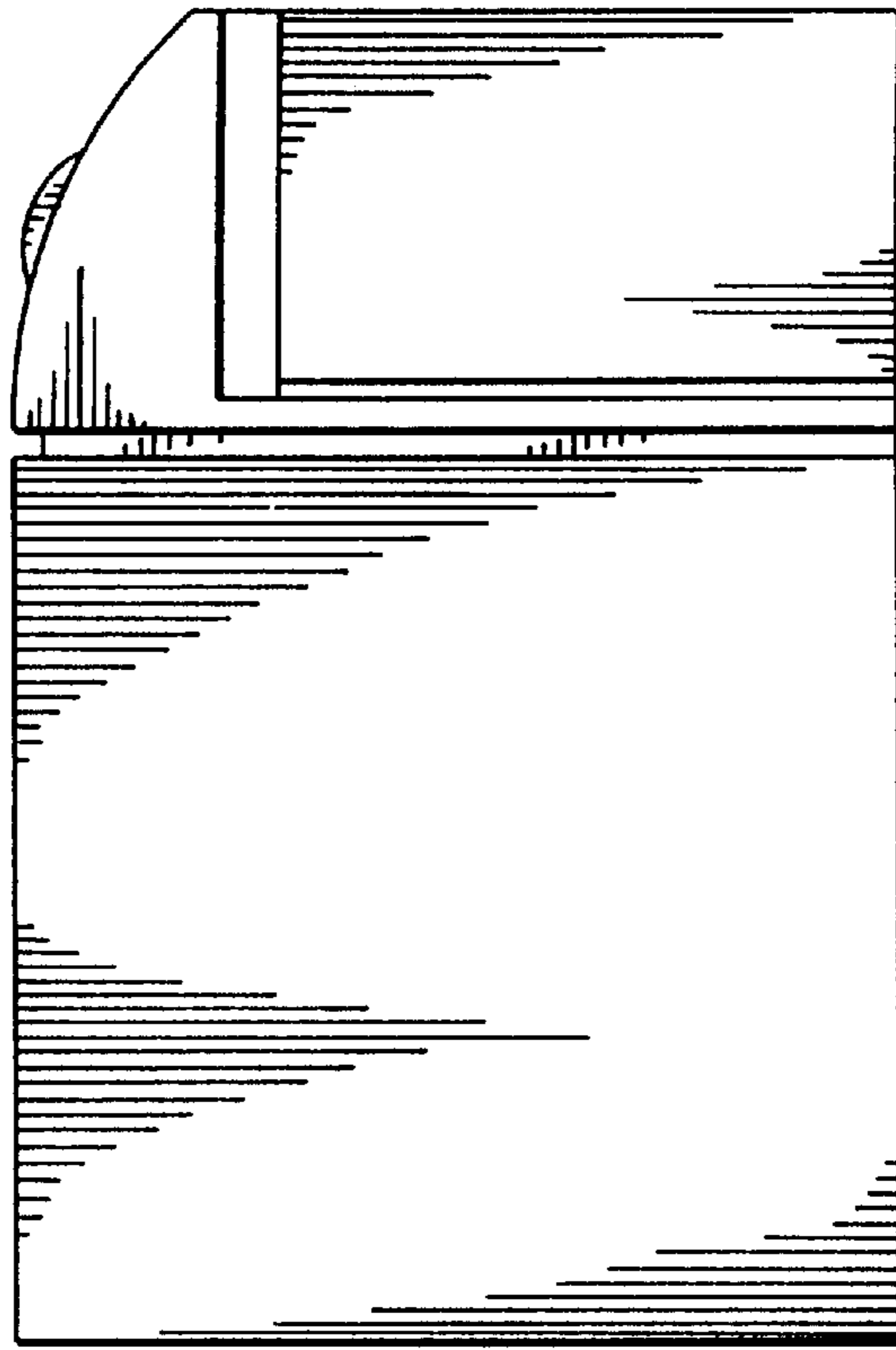


FIG. 5

