



US00D423022S

United States Patent [19]

Brazell et al.

[11] Patent Number: **Des. 423,022**

[45] Date of Patent: **** Apr. 18, 2000**

[54] **THREE WHEEL BAND SAW**

[75] Inventors: **Kenneth M. Brazell**, Phoenix; **Peter J. Shigo**, Gilbert, both of Ariz.

[73] Assignee: **Ryobi North America, Inc.**, Anderson, S.C.

[**] Term: **14 Years**

[21] Appl. No.: **29/103,306**

[22] Filed: **Apr. 13, 1999**

[51] **LOC (6) Cl.** **15-09**

[52] **U.S. Cl.** **D15/133**

[58] **Field of Search** D15/133, 134;
83/62.1, 571, 748, 750, 788, 809-820

[56] **References Cited**

U.S. PATENT DOCUMENTS

- D. 261,519 10/1981 Irelan D15/133
- D. 295,629 5/1988 Emslie D15/133

- D. 300,934 5/1989 Arehart .
- D. 323,835 2/1992 Leu .
- D. 345,171 3/1994 Watanabe et al. .
- D. 349,122 7/1994 Arehart et al. .
- D. 367,483 2/1996 Krug .
- 4,960,026 10/1990 Terpstra .

Primary Examiner—Antoine Duval Davis
Attorney, Agent, or Firm—Brooks & Kushman P.C.

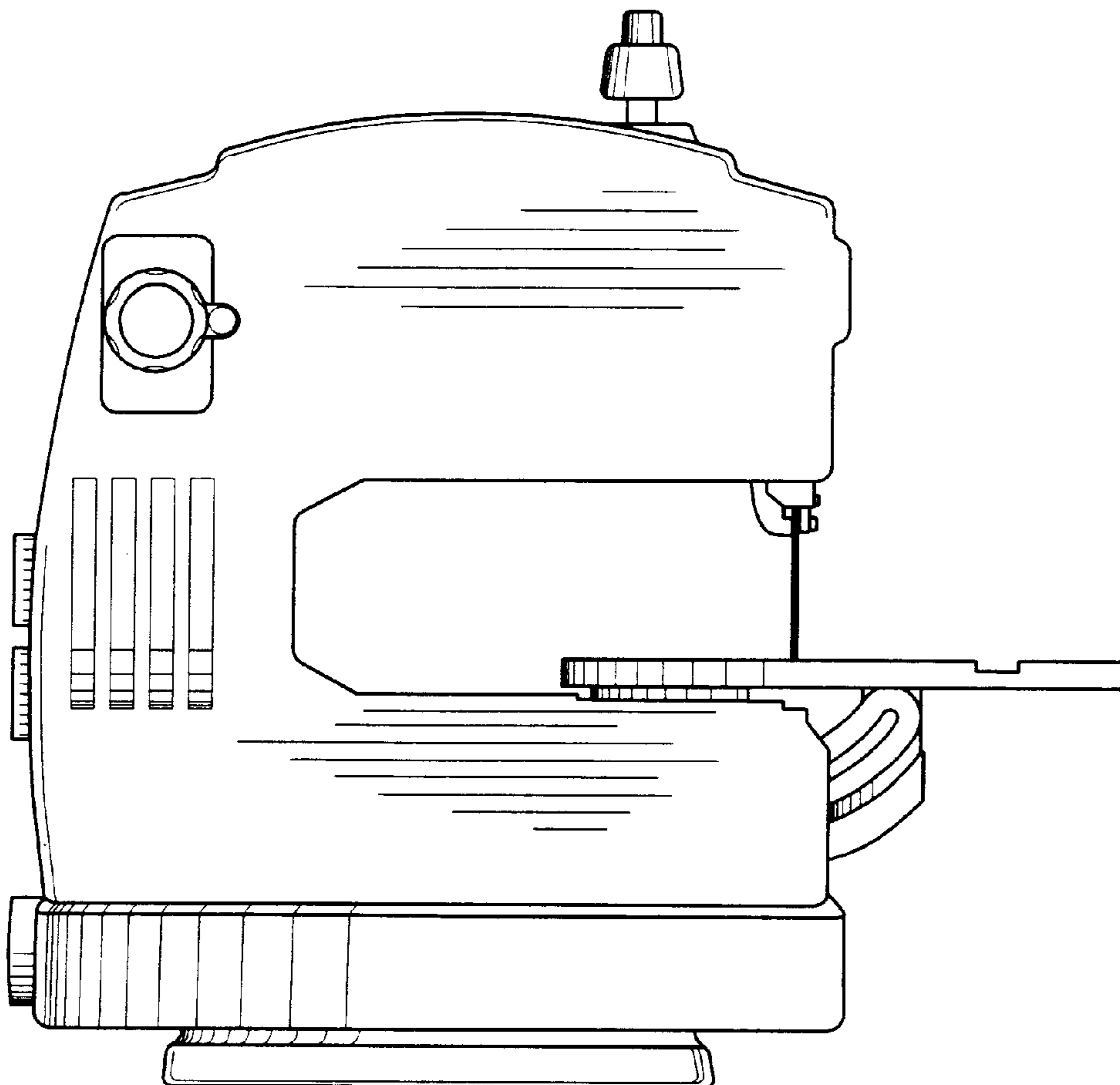
[57] **CLAIM**

The ornamental design for a three wheel band saw, as shown and described.

DESCRIPTION

FIG. 1 is an upper front side view of the three wheel band saw; FIG. 2 is a rear side perspective view; FIG. 3 is a right end view; FIG. 4 is a left end view; FIG. 5 is a top plan view; and, FIG. 6 is a bottom plan view.

1 Claim, 3 Drawing Sheets



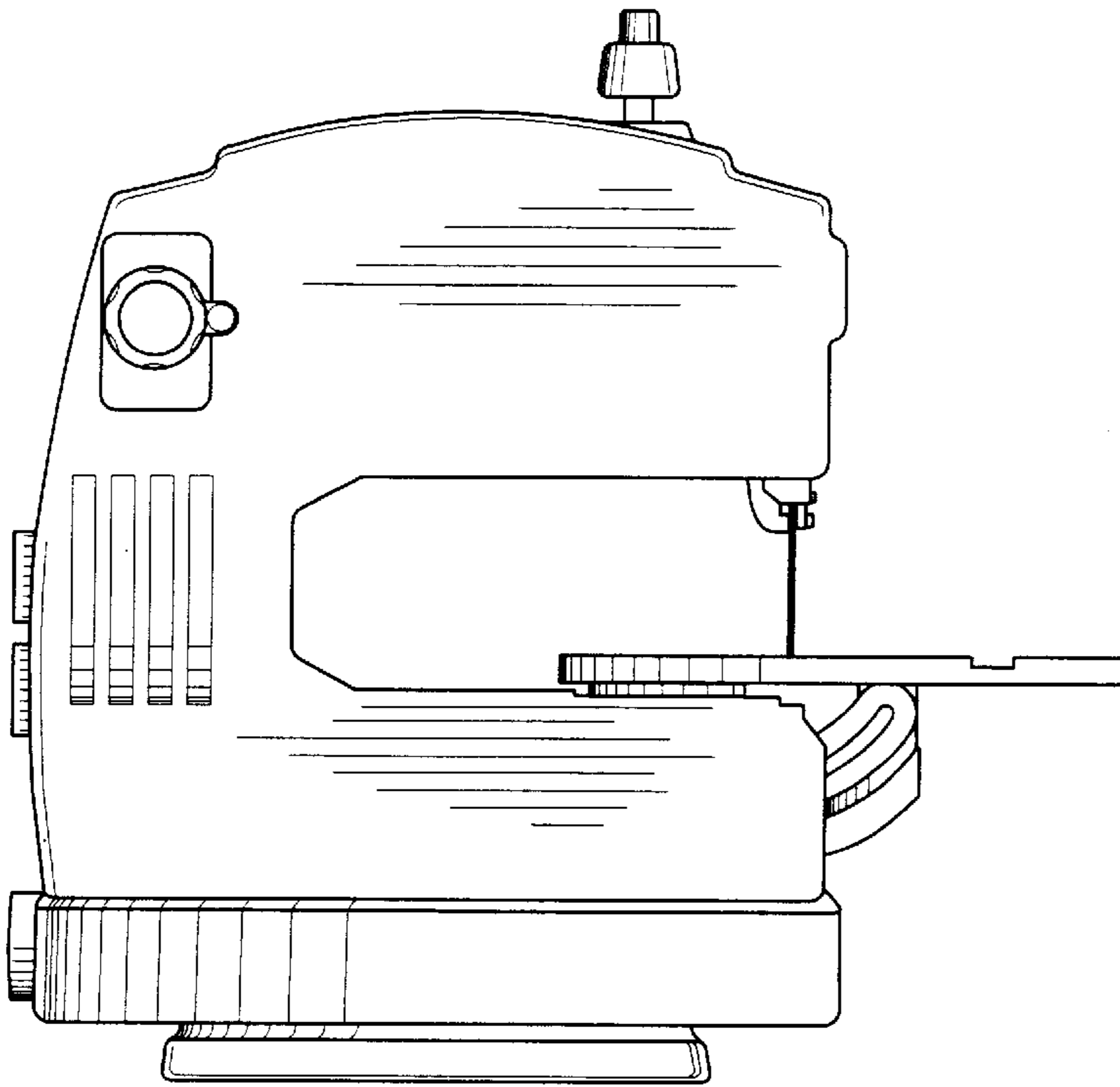


FIG. - 1

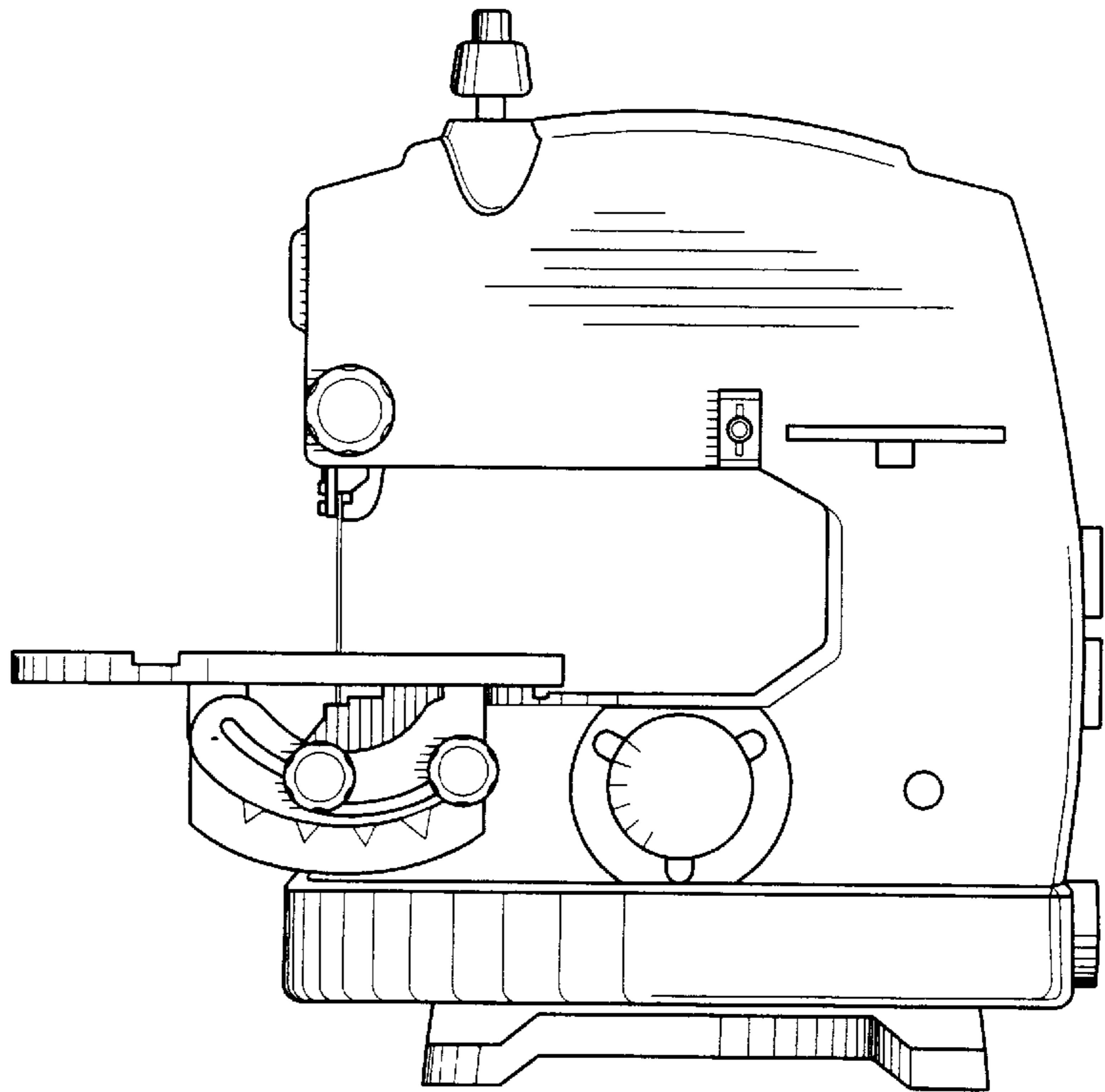


FIG. - 2

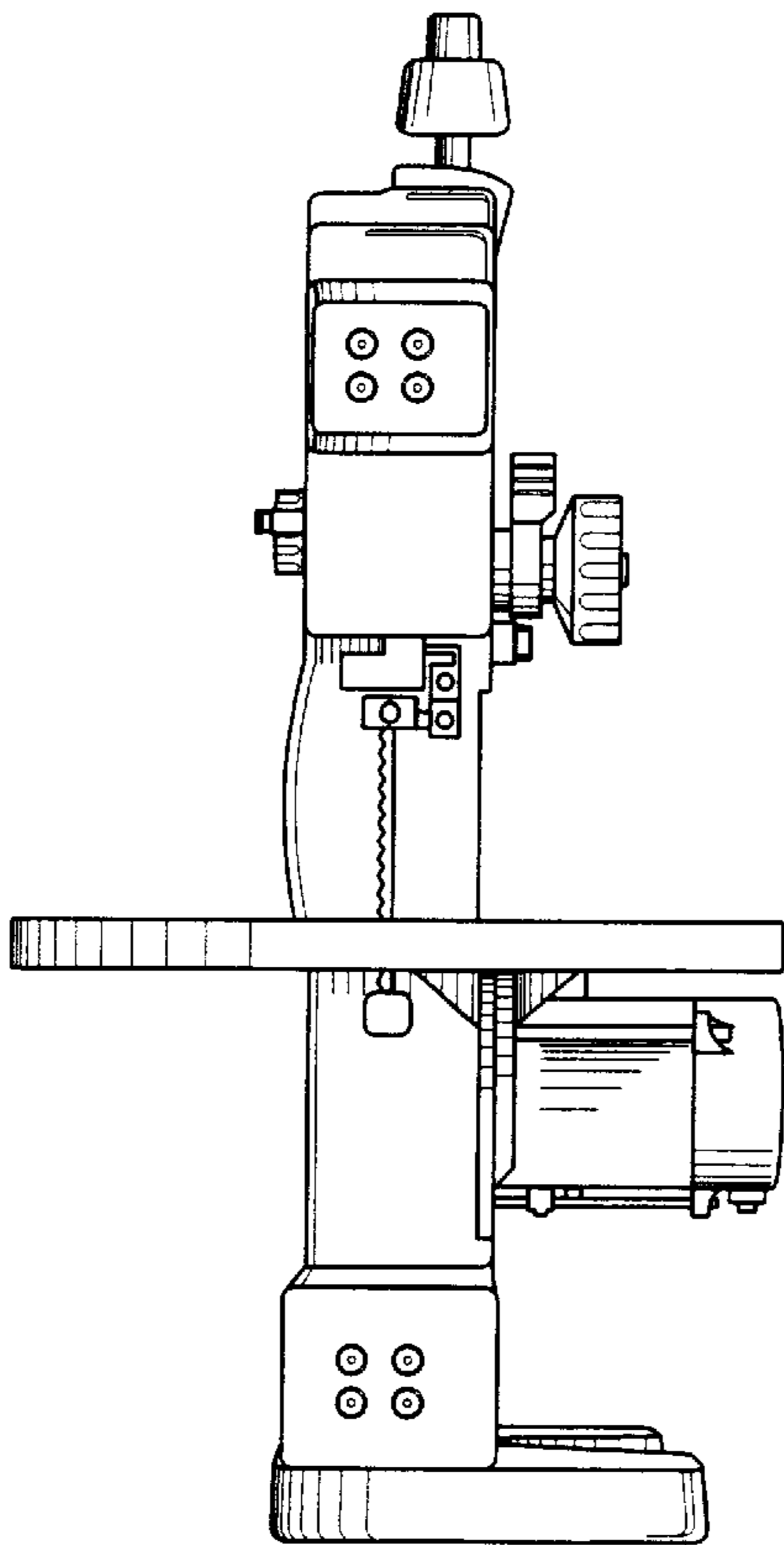


FIG. - 3

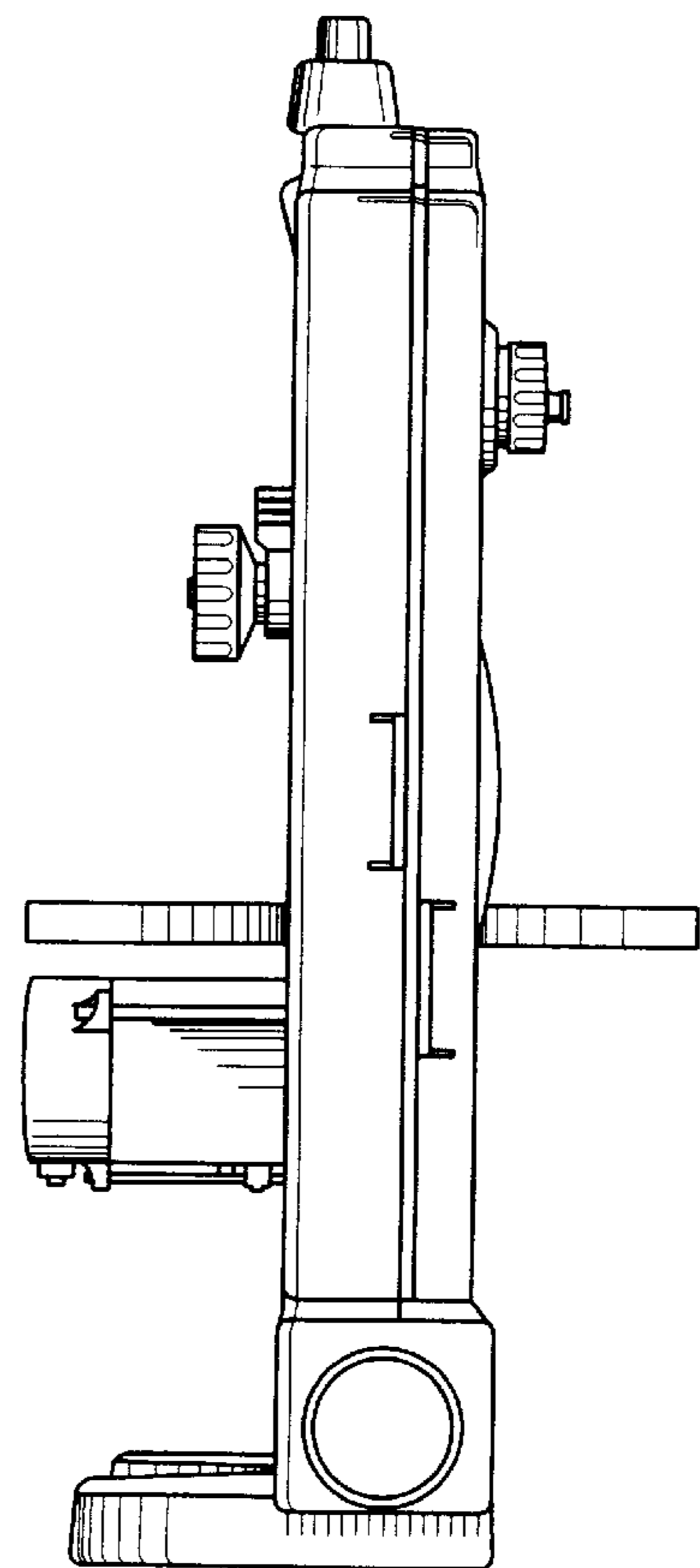


FIG. - 4

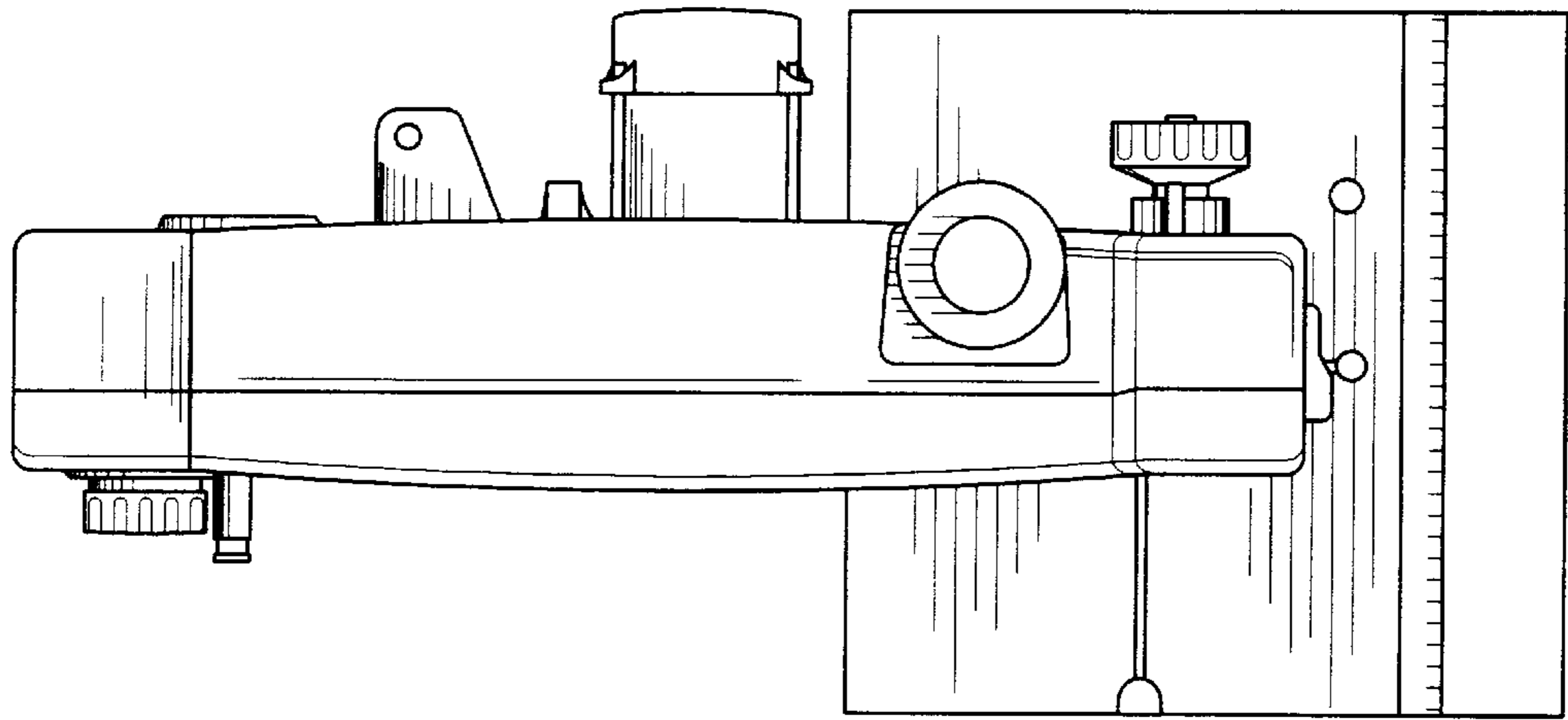


FIG. - 5

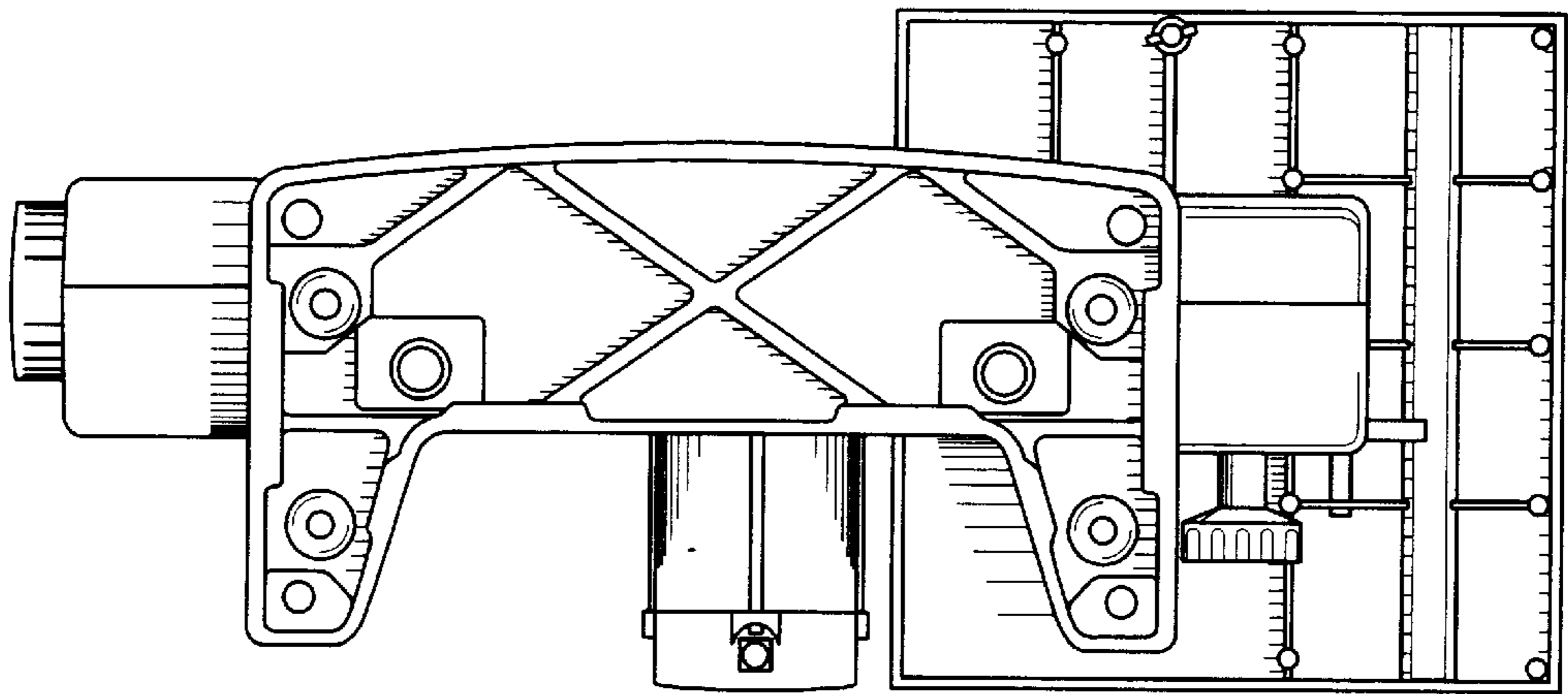


FIG. - 6