



US00D423021S

United States Patent [19]
Hoshino et al.

[11] **Patent Number: Des. 423,021**
[45] **Date of Patent: ** Apr. 18, 2000**

[54] **EDGE BELT/SPINDLE SANDER**

DESCRIPTION

[75] Inventors: **Kiyoshi Hoshino**, Chesterfield, Mo.;
James Schroeder, Stewartstown, Pa.;
David Davis, Overland, Mo.
[73] Assignee: **Emerson Electric, Co.**, St. Louis, Mo.
[**] Term: **14 Years**
[21] Appl. No.: **29/097,235**
[22] Filed: **Dec. 2, 1998**
[51] **LOC (6) Cl.** **15-09**
[52] **U.S. Cl.** **D15/133**
[58] **Field of Search** D15/124, 125,
D15/130; 451/121, 157, 456, 155; 74/22 R

FIG. 1 is a first front perspective view of the edge belt/spindle sander of the present invention, illustrating the sander with the front table in a horizontal position and with an exemplary sanding belt installed;
FIG. 2 is a second front perspective view;
FIG. 3 is a front elevation view;
FIG. 4 is a first side elevation view;
FIG. 5 is a second side elevation view, illustrating the side opposite that shown in FIG. 4;
FIG. 6 is a rear elevation view;
FIG. 7 is a top plan view;
FIG. 8 is a bottom plan view; and,
FIG. 9 is a front perspective view, illustrating the edge belt/spindle sander with the front table in a lowered position and with an exemplary sanding spindle installed.

The surface indicia ("Rigid" marks, instruction labels, etc.) and the accessories (sanding spindles, sanding belt, spacers, etc.) illustrated in FIGS. 1-9 are exemplary only. These illustrated items form no part of the claimed design, and are hereby disclaimed.

[56] **References Cited**

U.S. PATENT DOCUMENTS

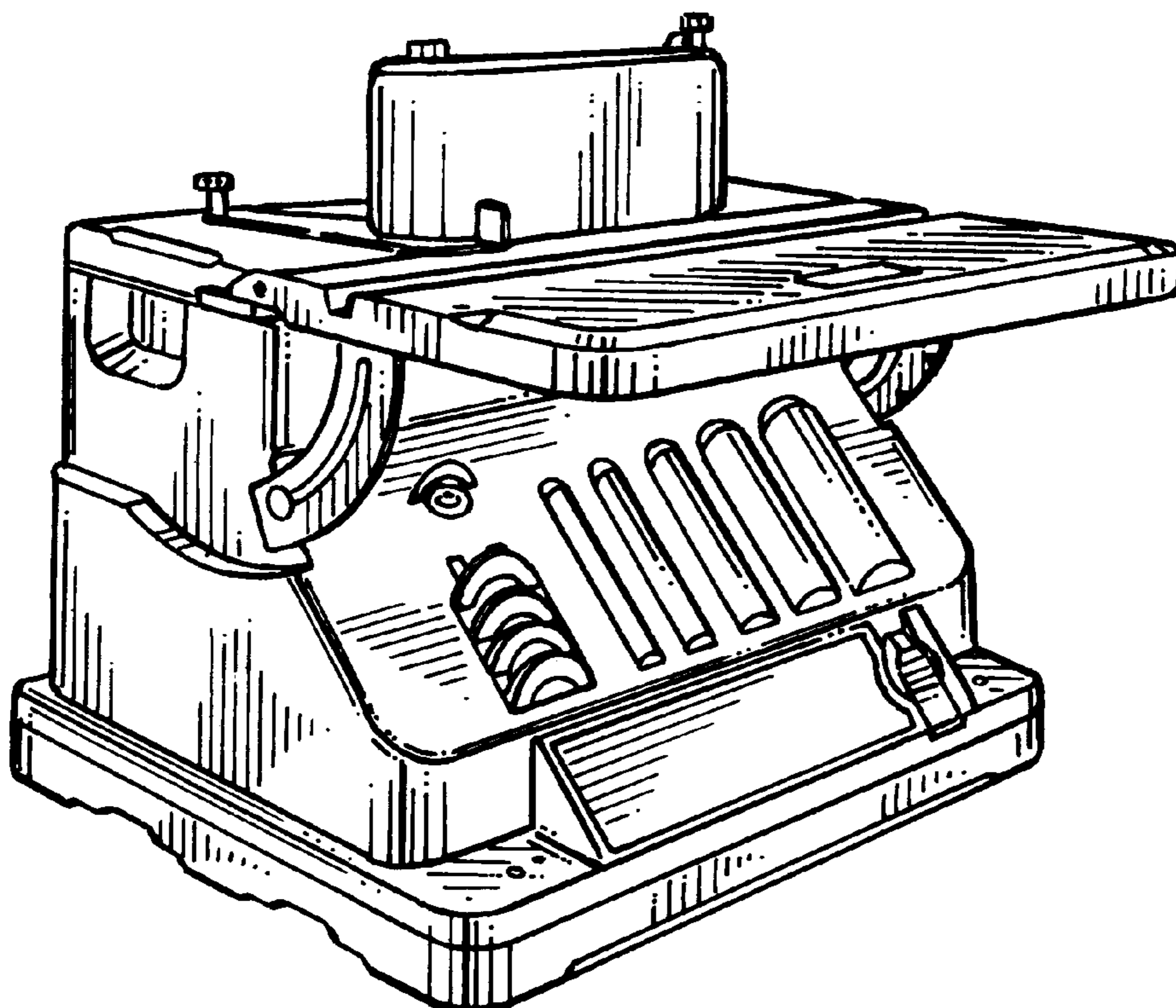
D. 349,292	8/1994	Chunn	D15/125
4,939,870	7/1990	Wang et al.	.	
5,402,604	4/1995	Hashii et al.	451/74
5,476,409	12/1995	Wada et al.	.	

Primary Examiner—Antoine Duval Davis

[57] **CLAIM**

The ornamental design for an edge belt/spindle sander, as shown and described.

1 Claim, 4 Drawing Sheets



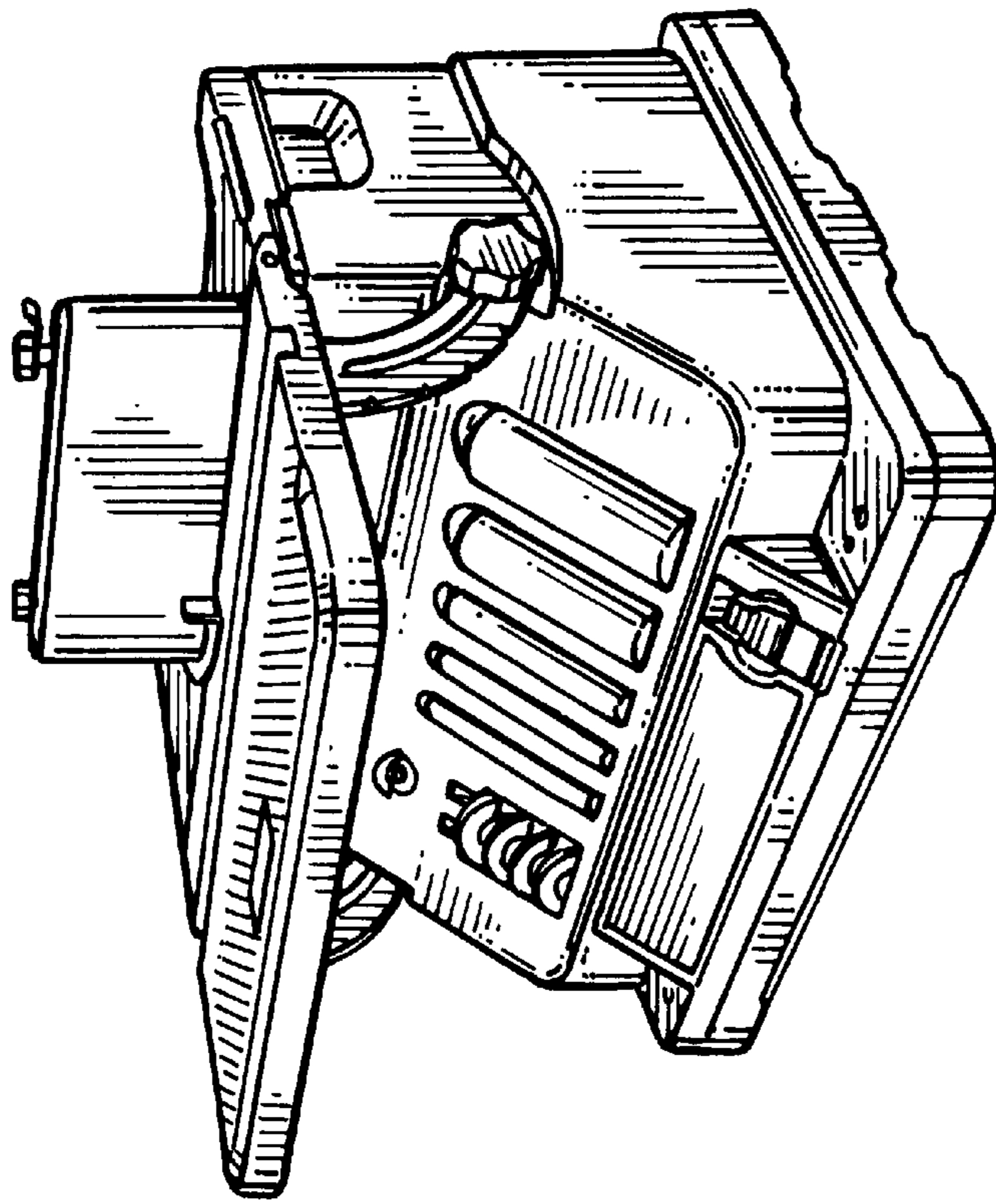


FIG. 2

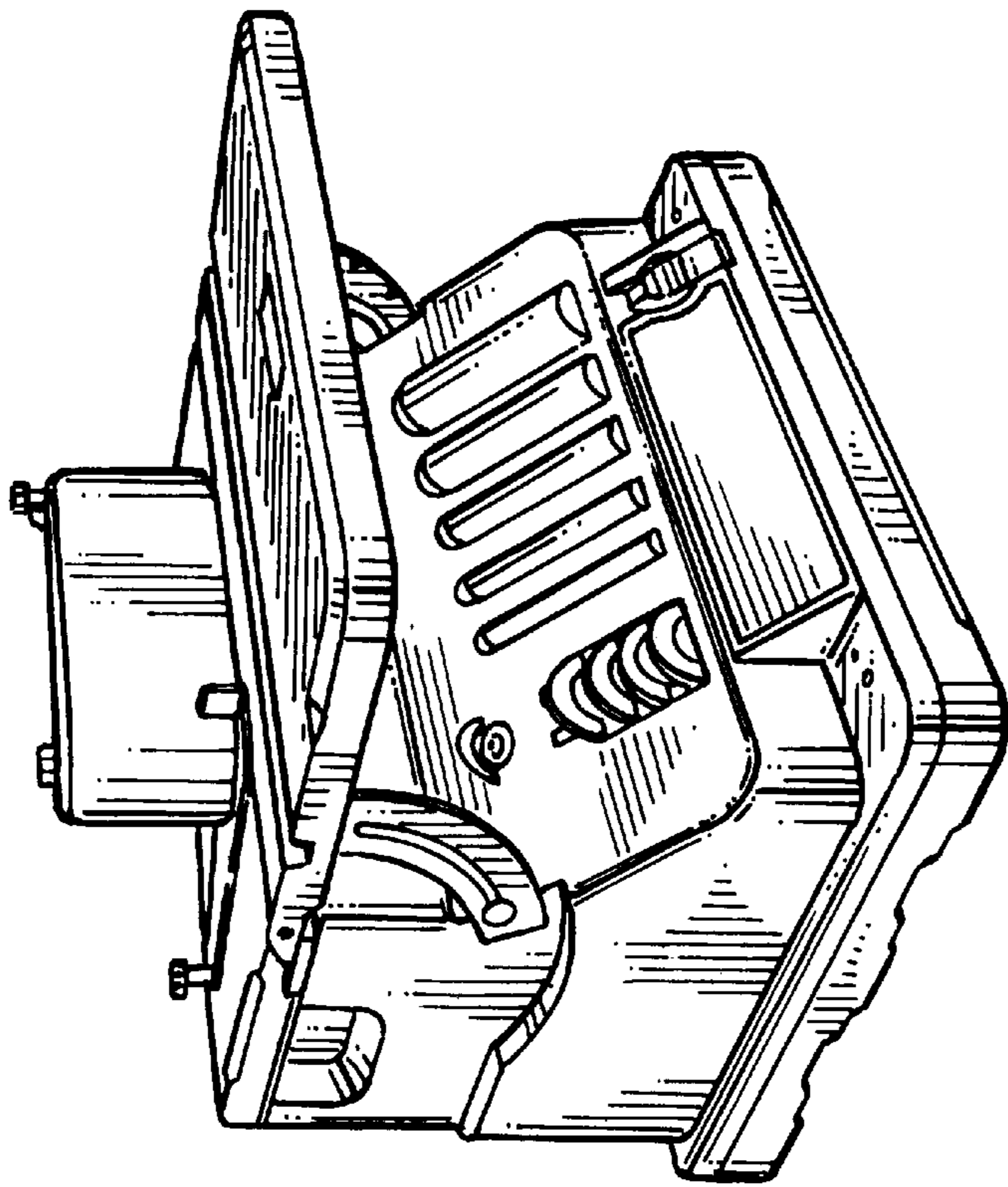


FIG. 1

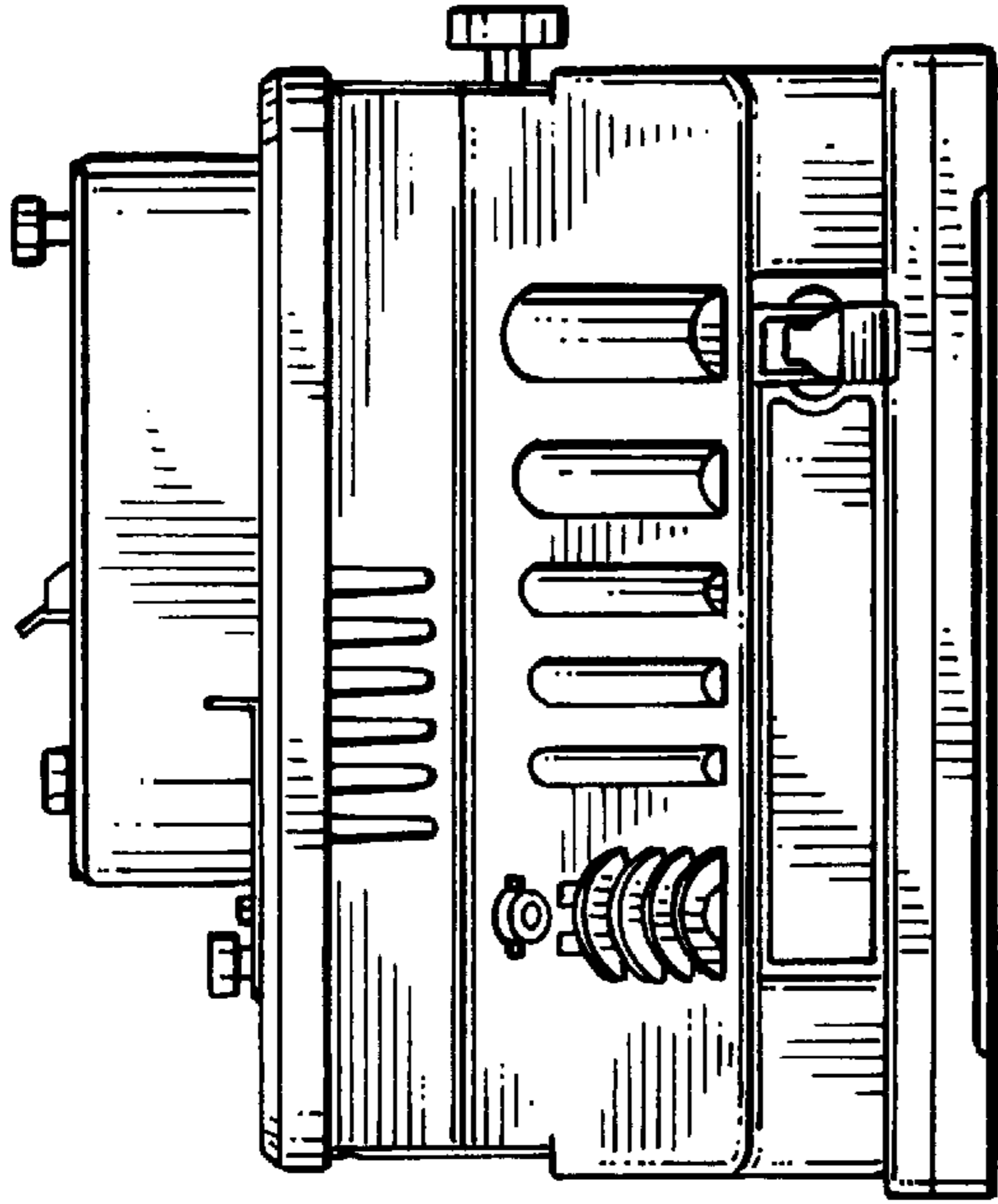


FIG. 3

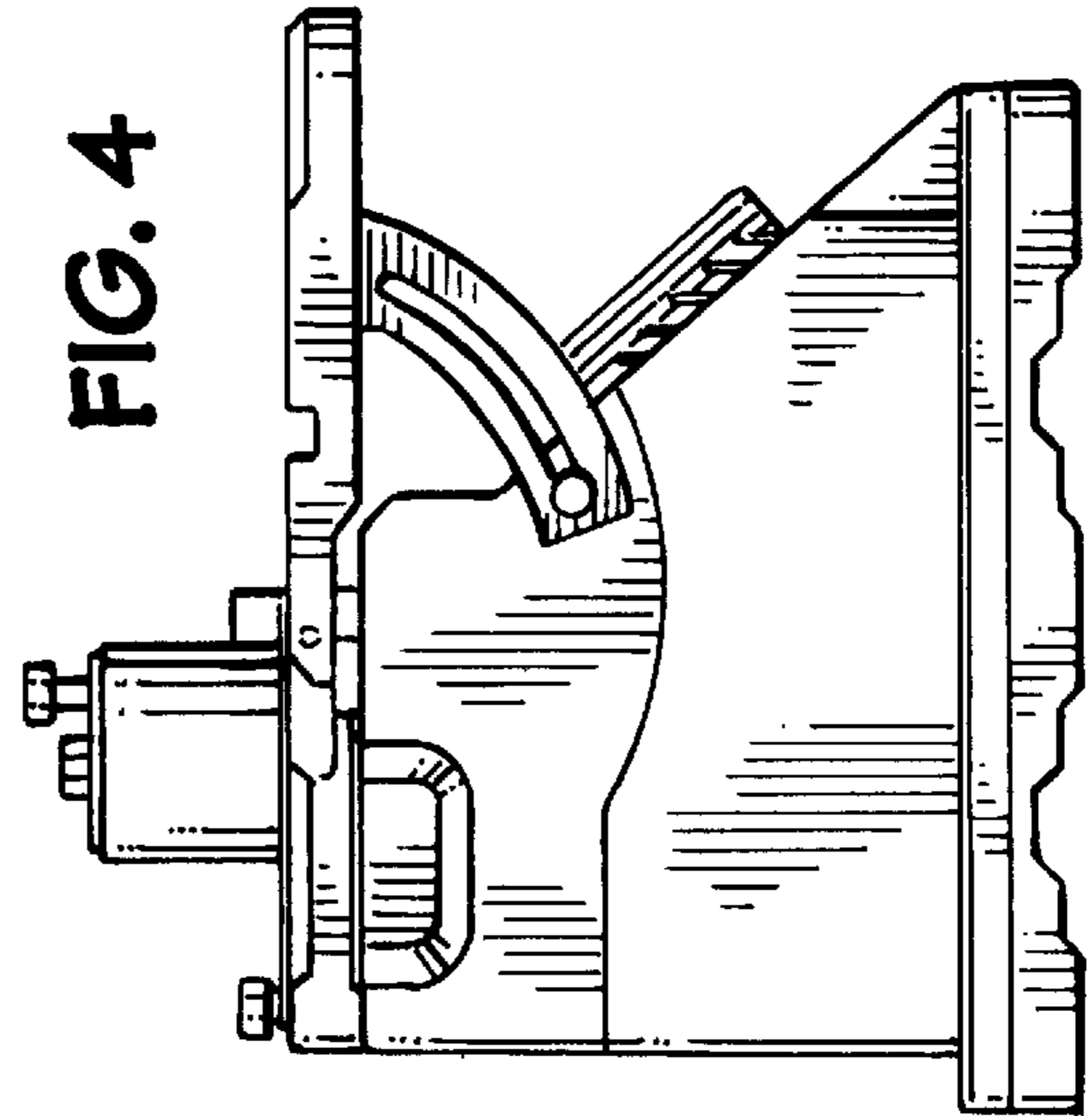


FIG. 4

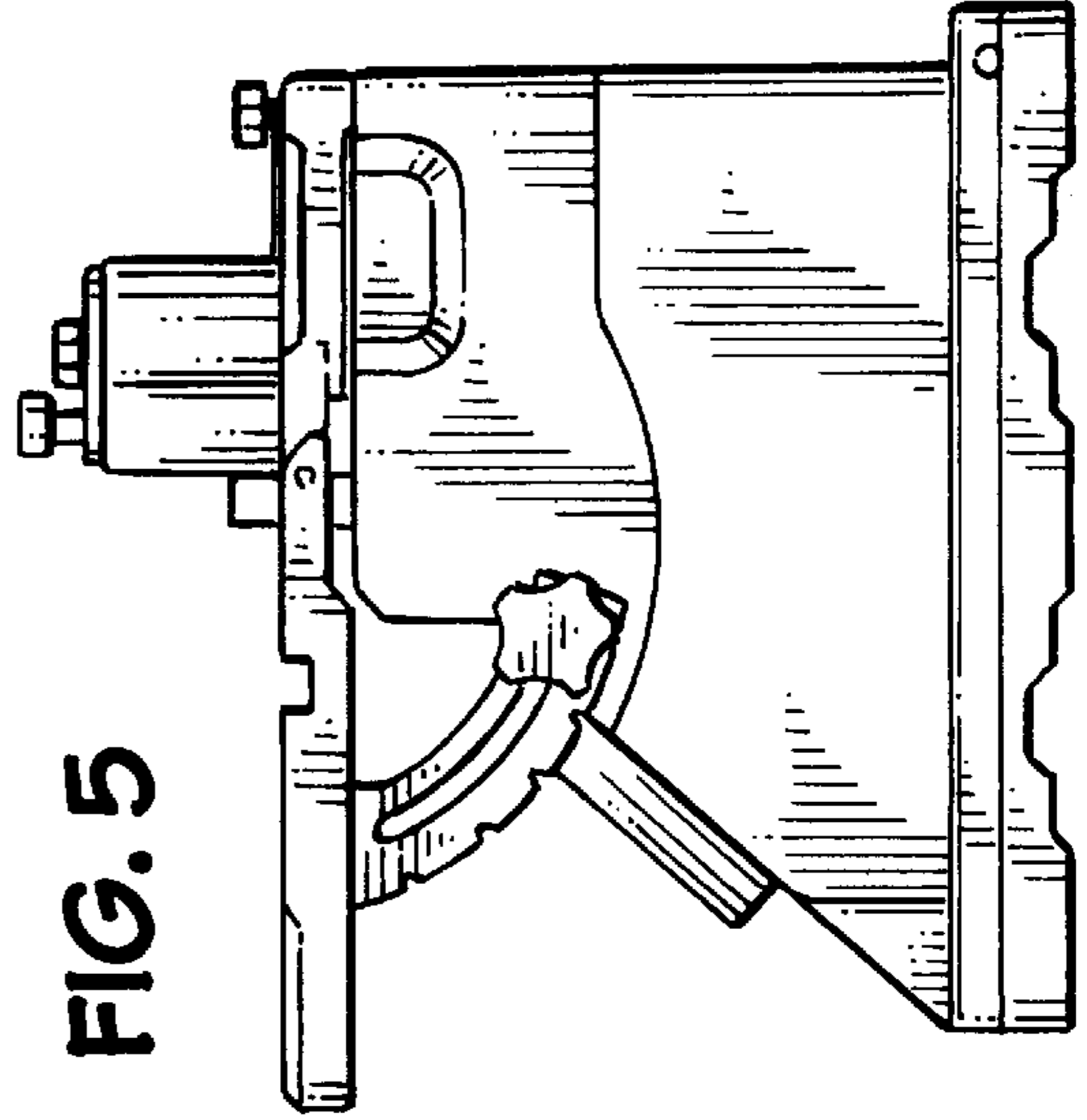


FIG. 5

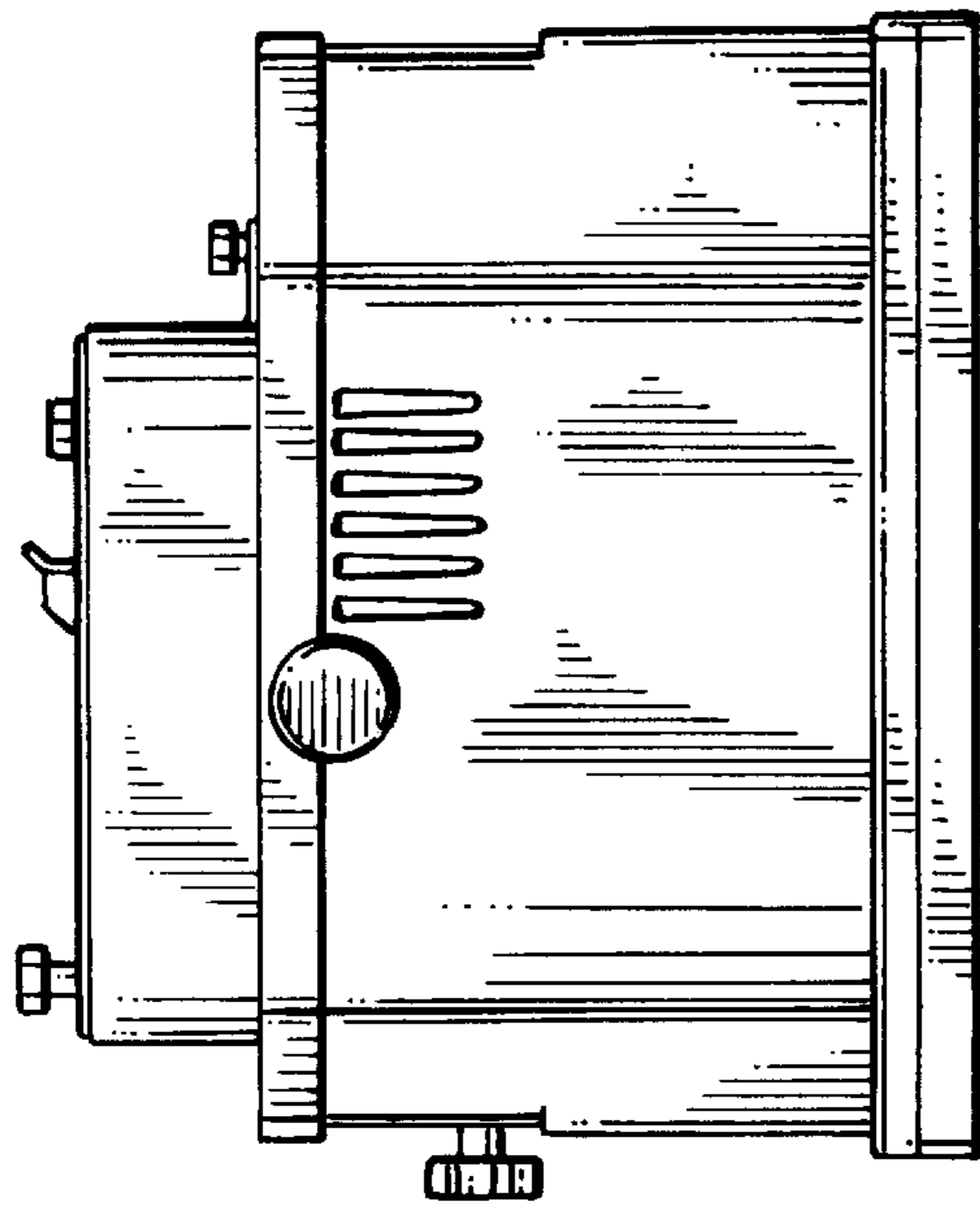


FIG. 6

FIG. 8

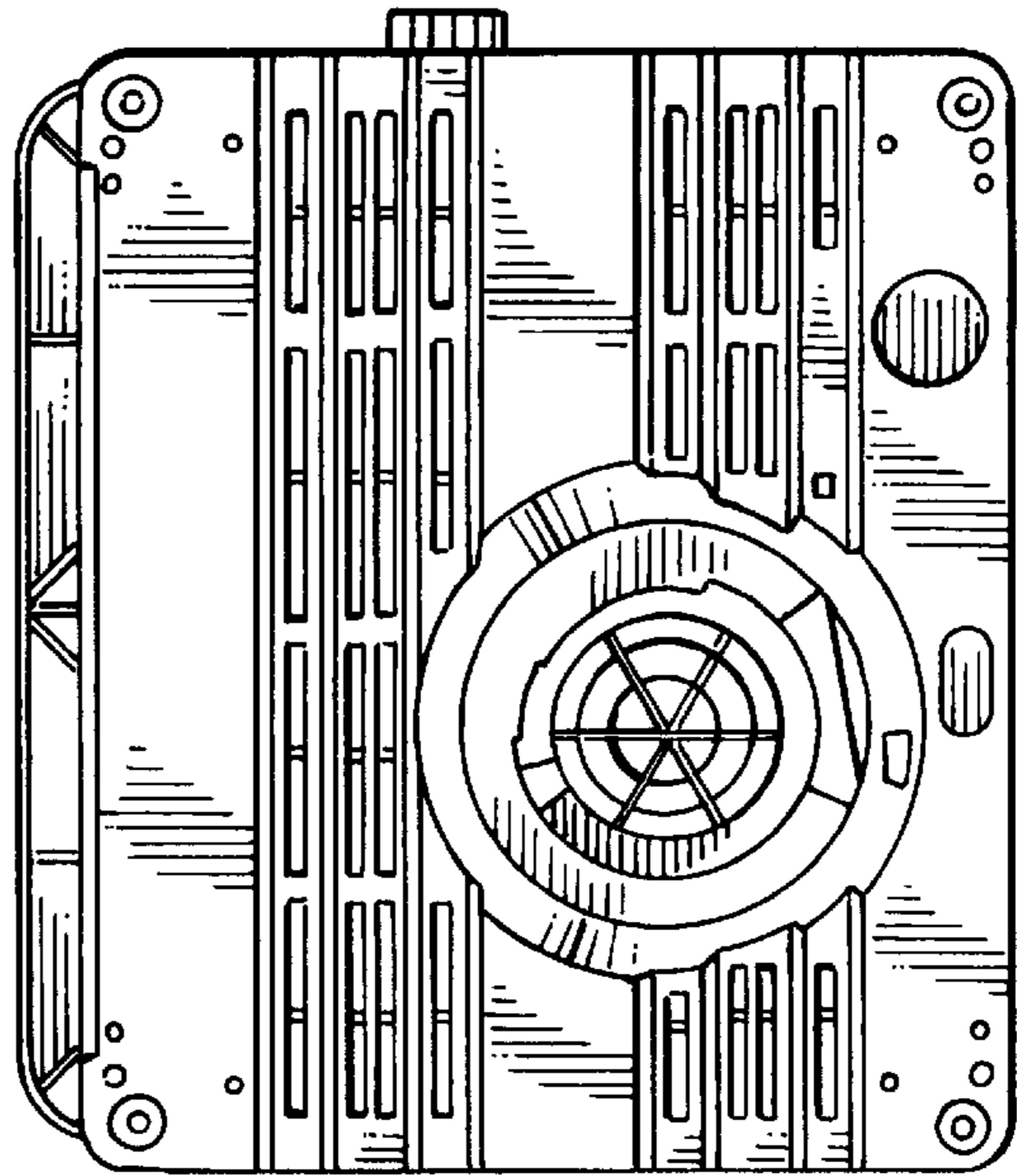
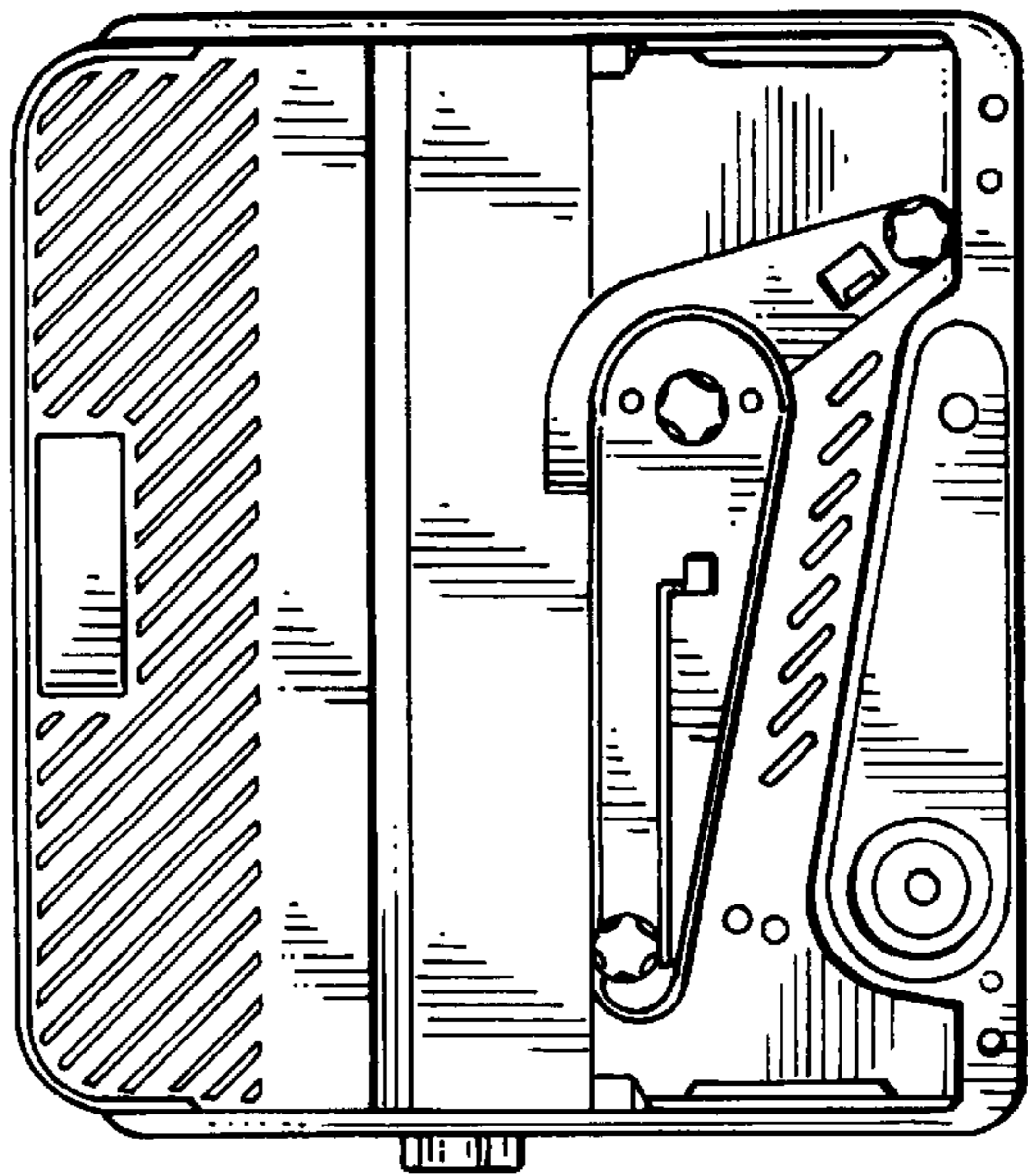


FIG. 7



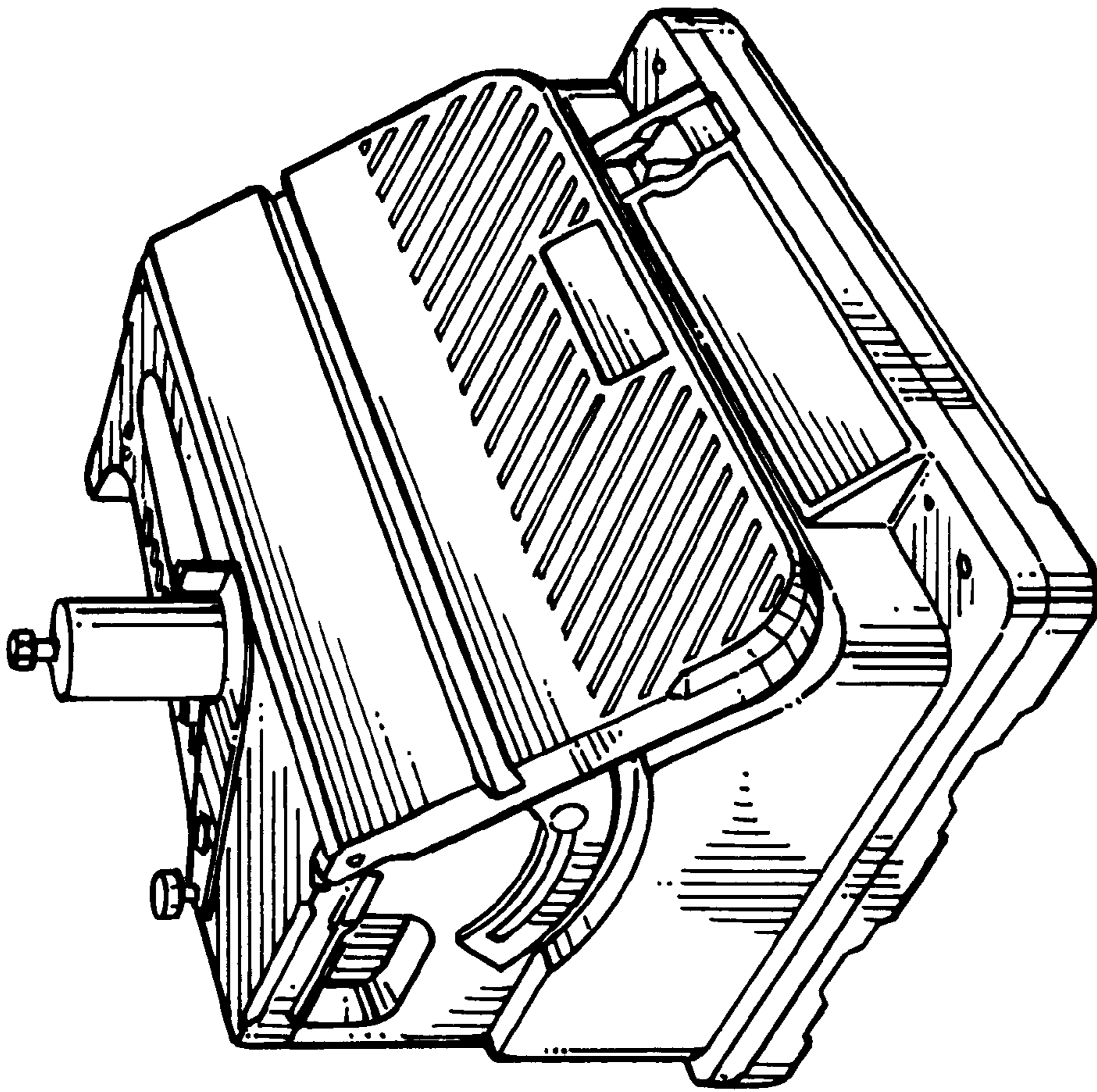


FIG. 9