



US00D423020S

United States Patent [19]

Brunson

[11] **Patent Number: Des. 423,020**

[45] **Date of Patent: ** Apr. 18, 2000**

[54] **STABILIZER FOR A SLIDING COMPOUND MITER SAW**

5,347,902 9/1994 Brickner et al. .
5,564,323 10/1996 Sasaki et al. 83/471.3

[75] Inventor: **Mark E. Brunson**, Abingdon, Md.

[73] Assignee: **Black & Decker Inc.**, Newark, Del.

[**] Term: **14 Years**

[21] Appl. No.: **29/094,408**

[22] Filed: **Oct. 1, 1998**

Related U.S. Application Data

[62] Division of application No. 29/072,686, Jun. 19, 1997, Pat. No. Des. 402,672.

[51] **LOC (6) Cl.** **15-09**

[52] **U.S. Cl.** **D15/133**

[58] **Field of Search** D15/133; 83/477,
83/581, 226-283

[56] References Cited

U.S. PATENT DOCUMENTS

D. 345,743 4/1994 Garcia D15/133
D. 389,494 1/1998 Chen D15/133

FOREIGN PATENT DOCUMENTS

63-147801 of 1991 Japan .

Primary Examiner—Antoine Duval Davis
Attorney, Agent, or Firm—Harness, Dickey & Pierce, P.L.C.

[57] CLAIM

The ornamental design for a stabilizer for a sliding compound miter saw, as shown and described.

DESCRIPTION

FIG. 1 is a perspective view of the design for a stabilizer for a sliding compound miter saw according to the present invention;

FIG. 2 is a perspective view thereof;

FIG. 3 is a top plan view thereof;

FIG. 4 is a right side elevational view thereof;

FIG. 5 is a front elevational view thereof; and,

FIG. 6 is a rear elevational view thereof.

The broken line showing of the sliding compound miter saw is for illustrative purposes only and forms no part of the claimed design.

1 Claim, 2 Drawing Sheets

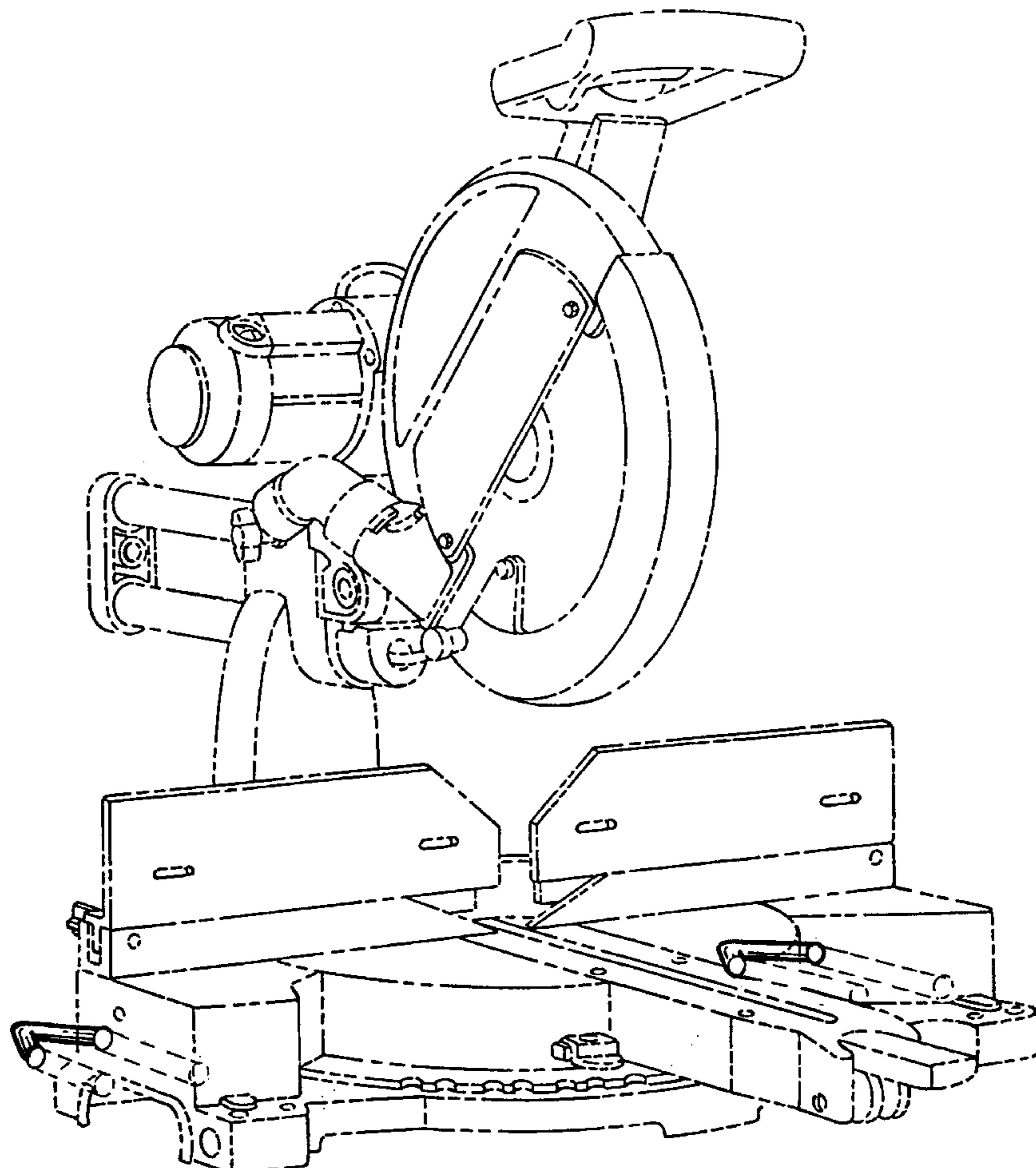
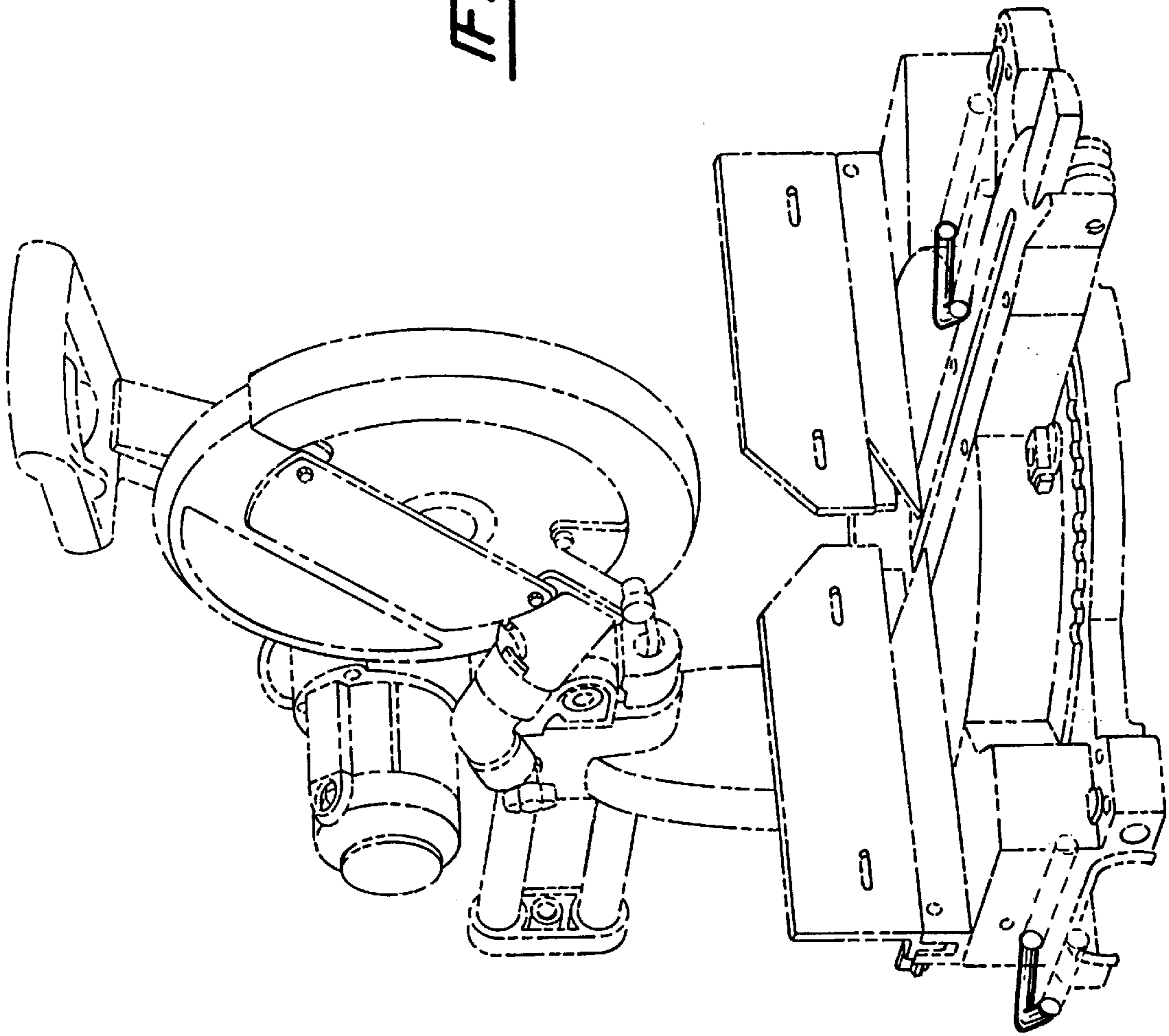


Fig-1



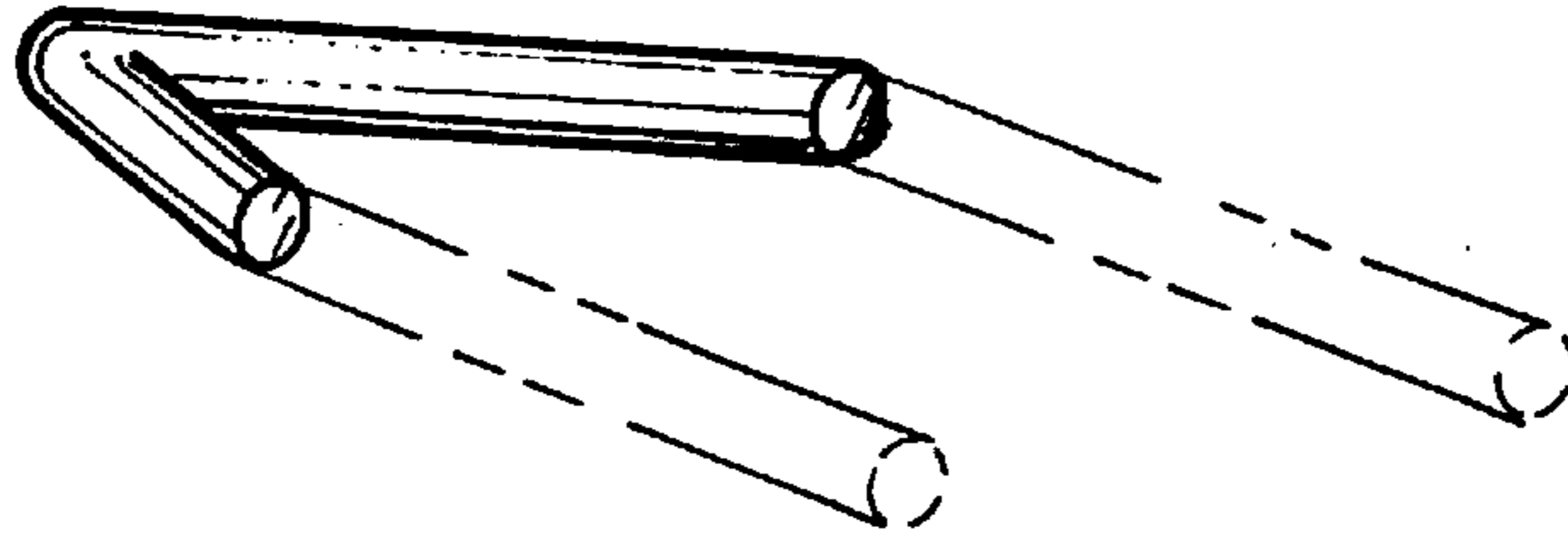


Fig-2

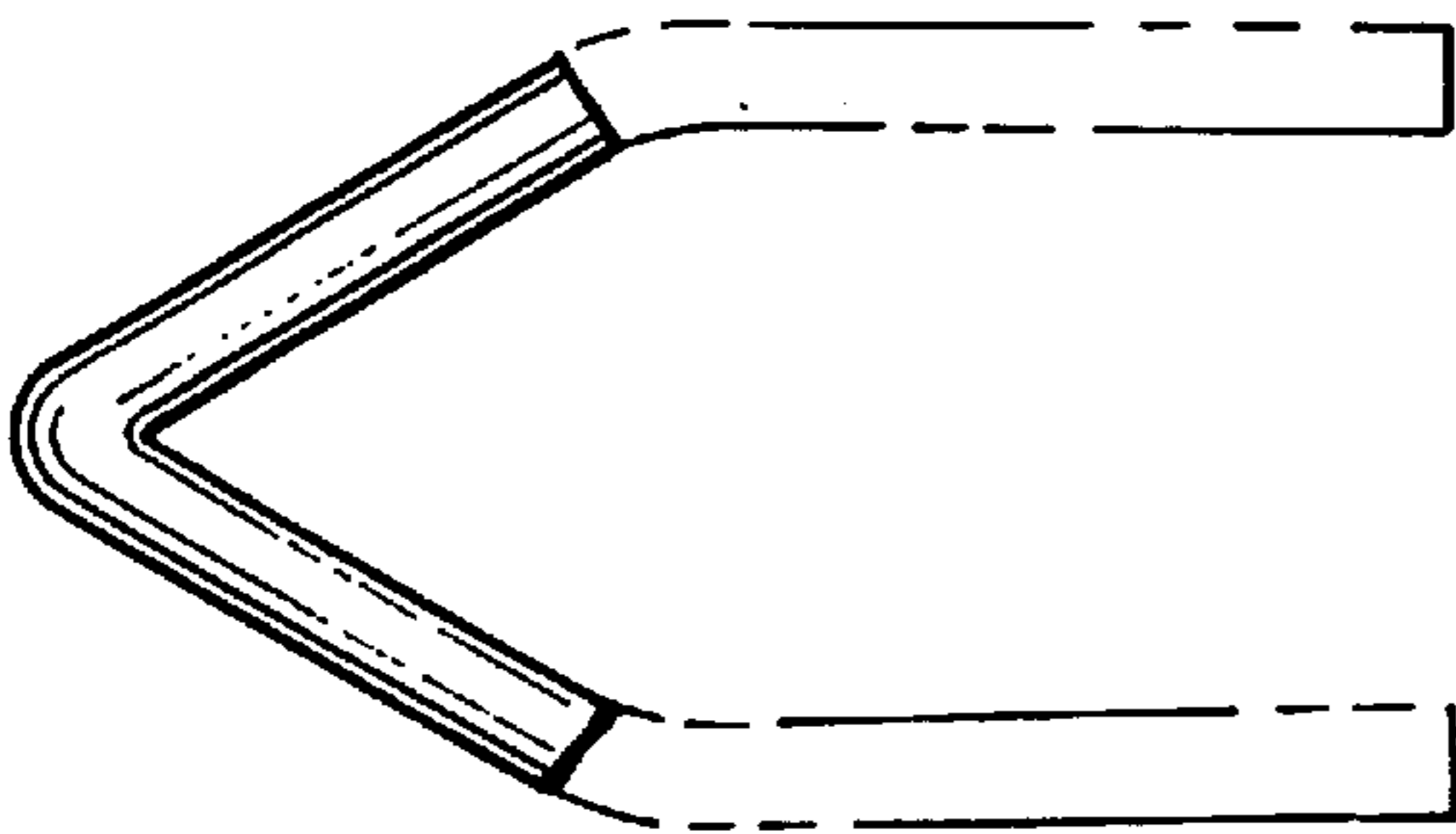


Fig-3

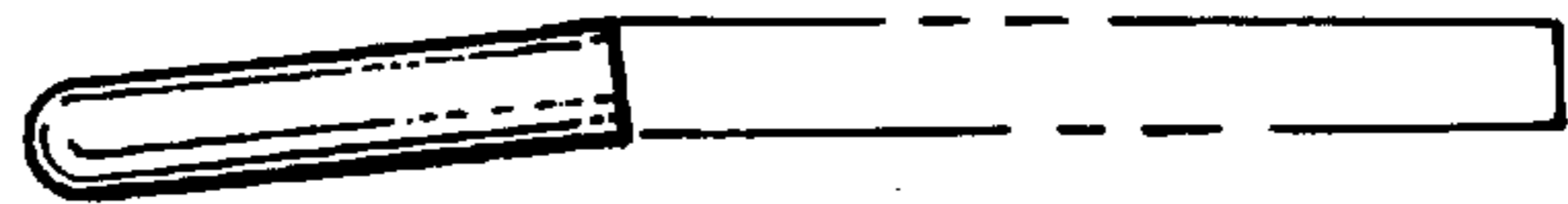


Fig-4



Fig-5



Fig-6