



US00D423019S

United States Patent [19]

[11] **Patent Number: Des. 423,019**

Bardin et al.

[45] **Date of Patent: ** Apr. 18, 2000**

[54] **COOLER**

D. 395,968 7/1998 Shappell D6/472
D. 402,138 12/1998 Trulaske, Sr. D15/81

[75] Inventors: **James R. Bardin**, Atlanta; **Jason E. Allen**, Powder Springs, both of Ga.;
Daniel P. Goodman, San Diego, Calif.;
Shaun B. Gatipon, Kennesaw, Ga.

Primary Examiner—B. J. Bullock
Attorney, Agent, or Firm—Dennis W. Braswell

[73] Assignee: **The Coca-Cola Company**, Atlanta, Ga.

[57] **CLAIM**

[**] Term: **14 Years**

We claim the ornamental design for a cooler, as shown and described.

[21] Appl. No.: **29/104,702**

DESCRIPTION

[22] Filed: **May 10, 1999**

FIG. 1 is a top front right side perspective view of a cooler showing our new design;
FIG. 2 is a right side elevational view thereof;
FIG. 3 is a left side elevational view thereof;
FIG. 4 is a front elevational view thereof;
FIG. 5 is a top plan view thereof;
FIG. 6 is a right side perspective view of another embodiment of the present invention, the only difference being the curved glass panel within the door; and,
FIG. 7 is a front elevational view of the embodiment of FIG. 6 (the other views are similar to FIGS. 2, 3, and 5).
The broken lines in all views are for illustrative purposes only and form no part of the claimed design.

[51] **LOC (6) Cl.** **15-07**

[52] **U.S. Cl.** **D15/91; D6/509**

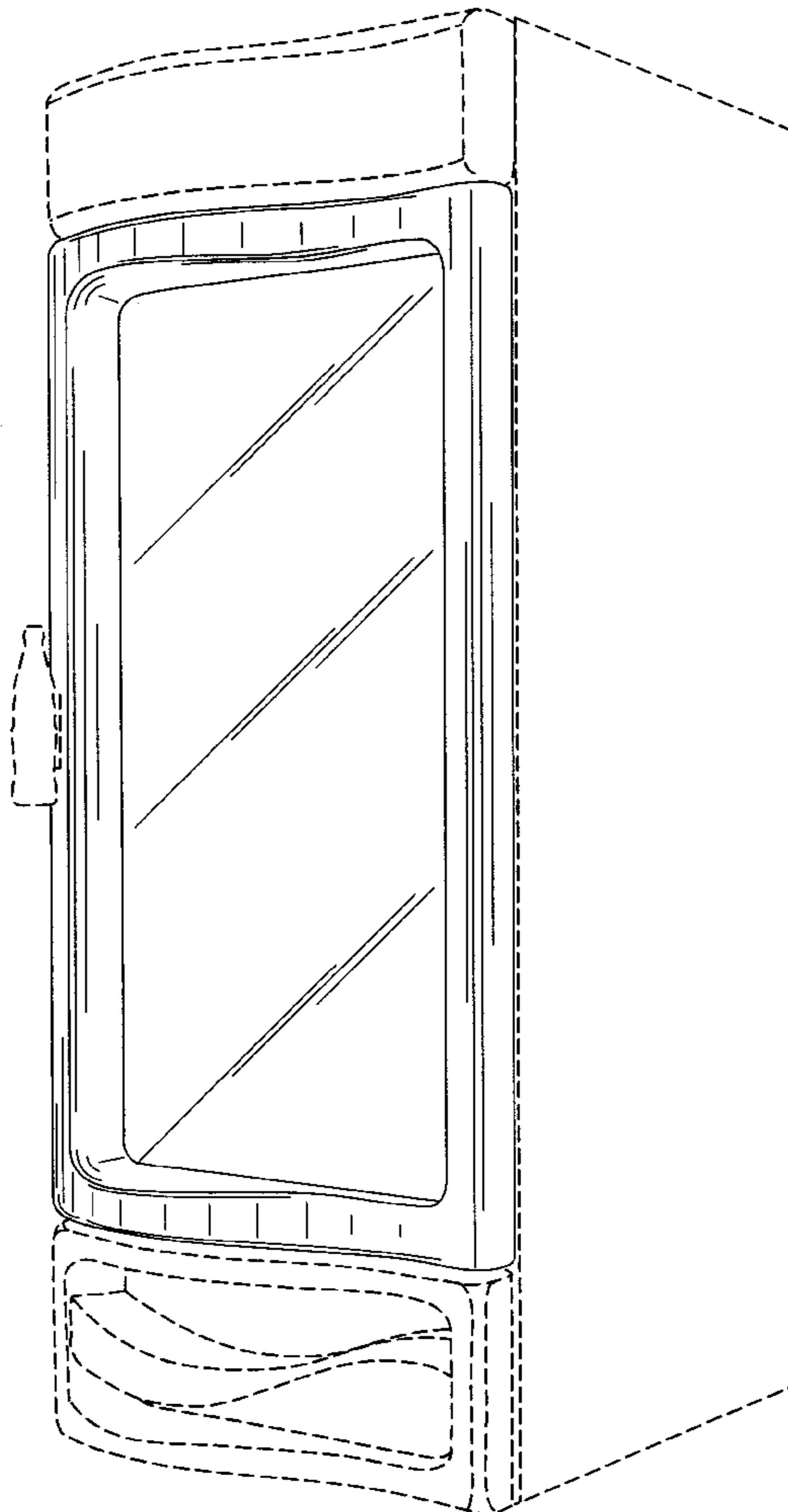
[58] **Field of Search** D15/81, 85-89,
D15/91; D6/470-2, 491, 492, 494, 509;
D20/10, 19; 312/138.1, 139.2, 236; 62/246,
248, 249, 252, 449

[56] **References Cited**

U.S. PATENT DOCUMENTS

D. 367,864 3/1996 Lacewell D15/85
D. 377,800 2/1997 Branz et al. D15/85
D. 383,796 9/1997 Rinicella et al. D20/10

1 Claim, 7 Drawing Sheets



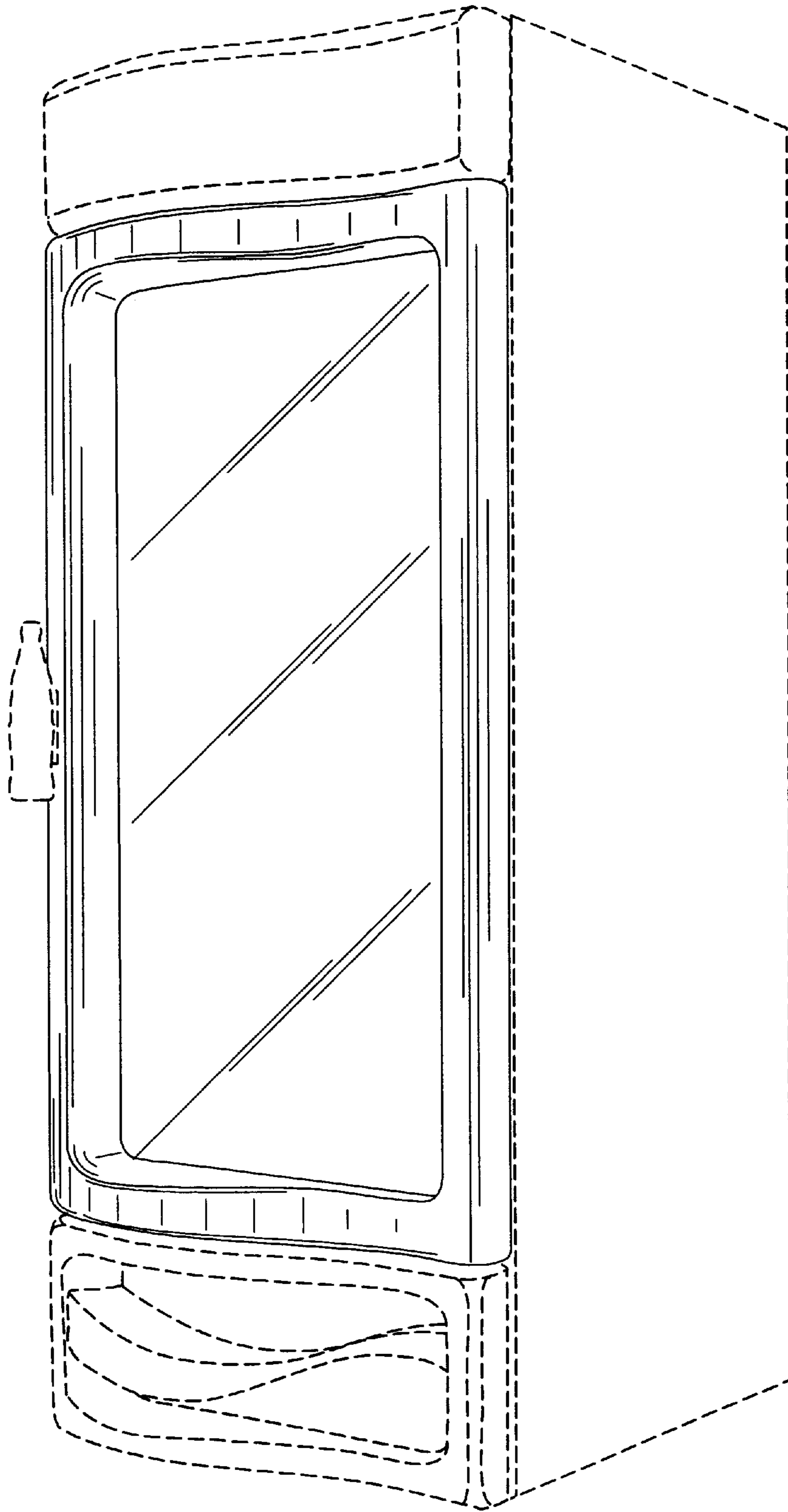


FIG. 1

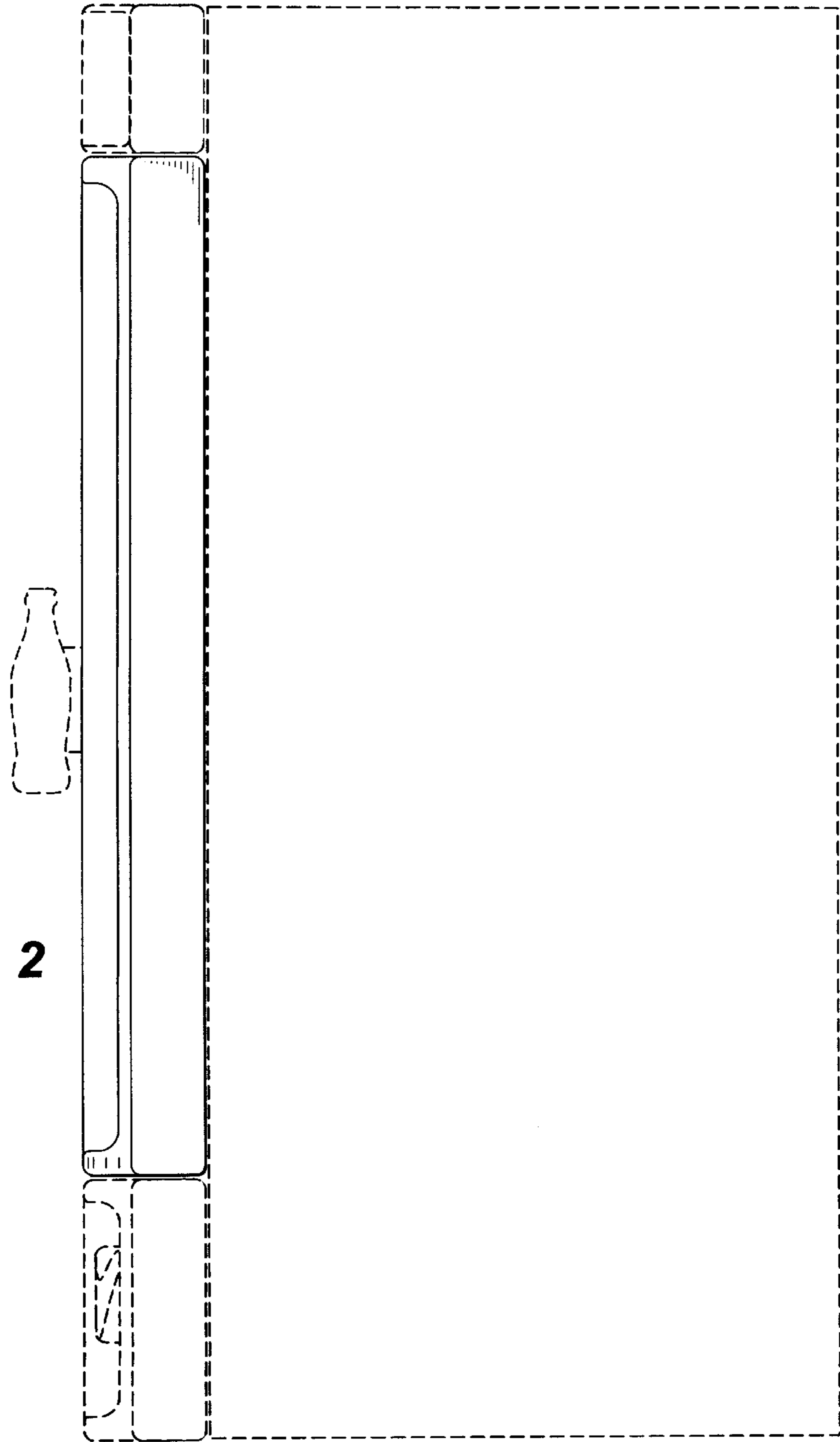


FIG. 2

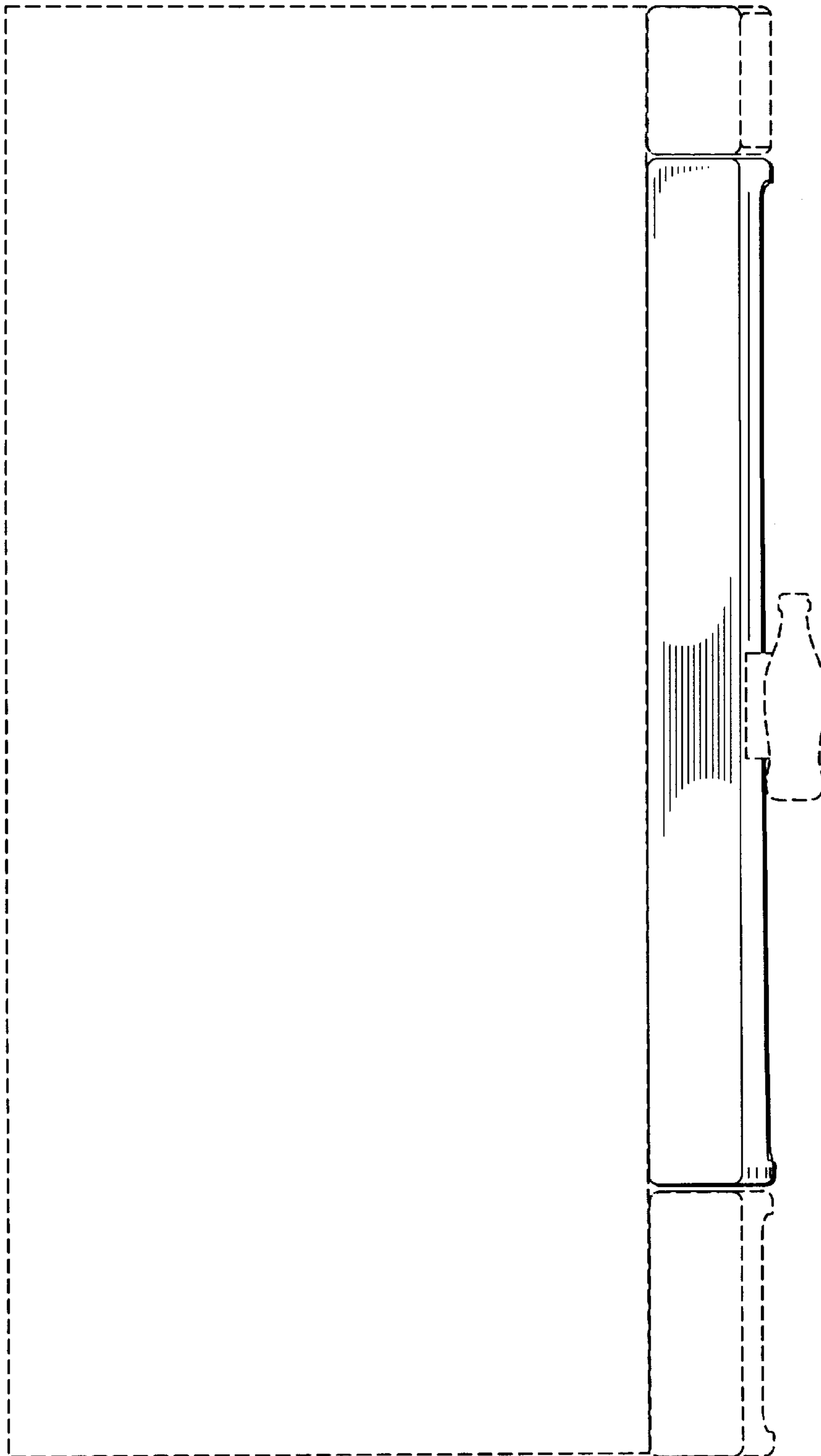


FIG. 3

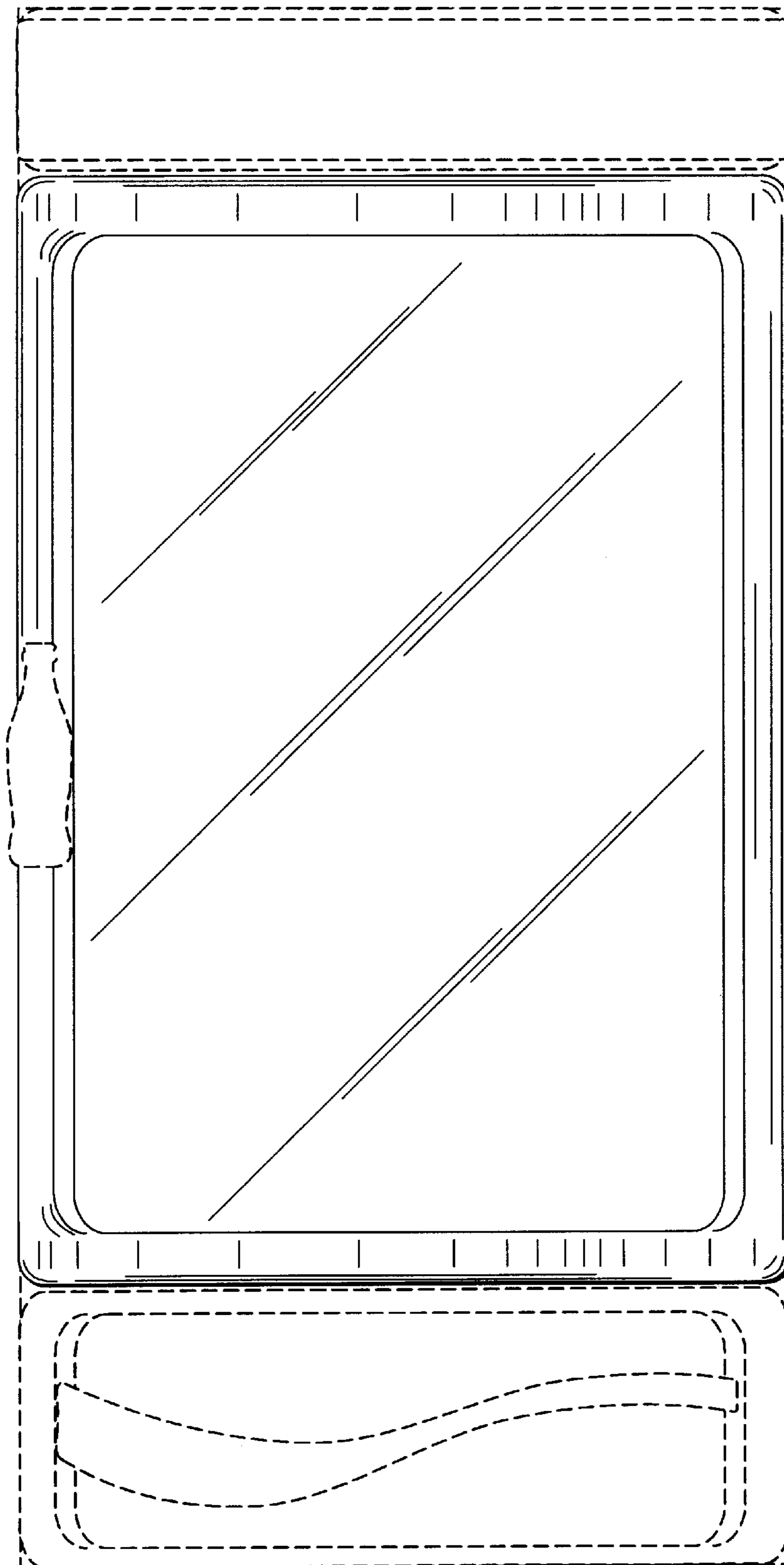


FIG. 4

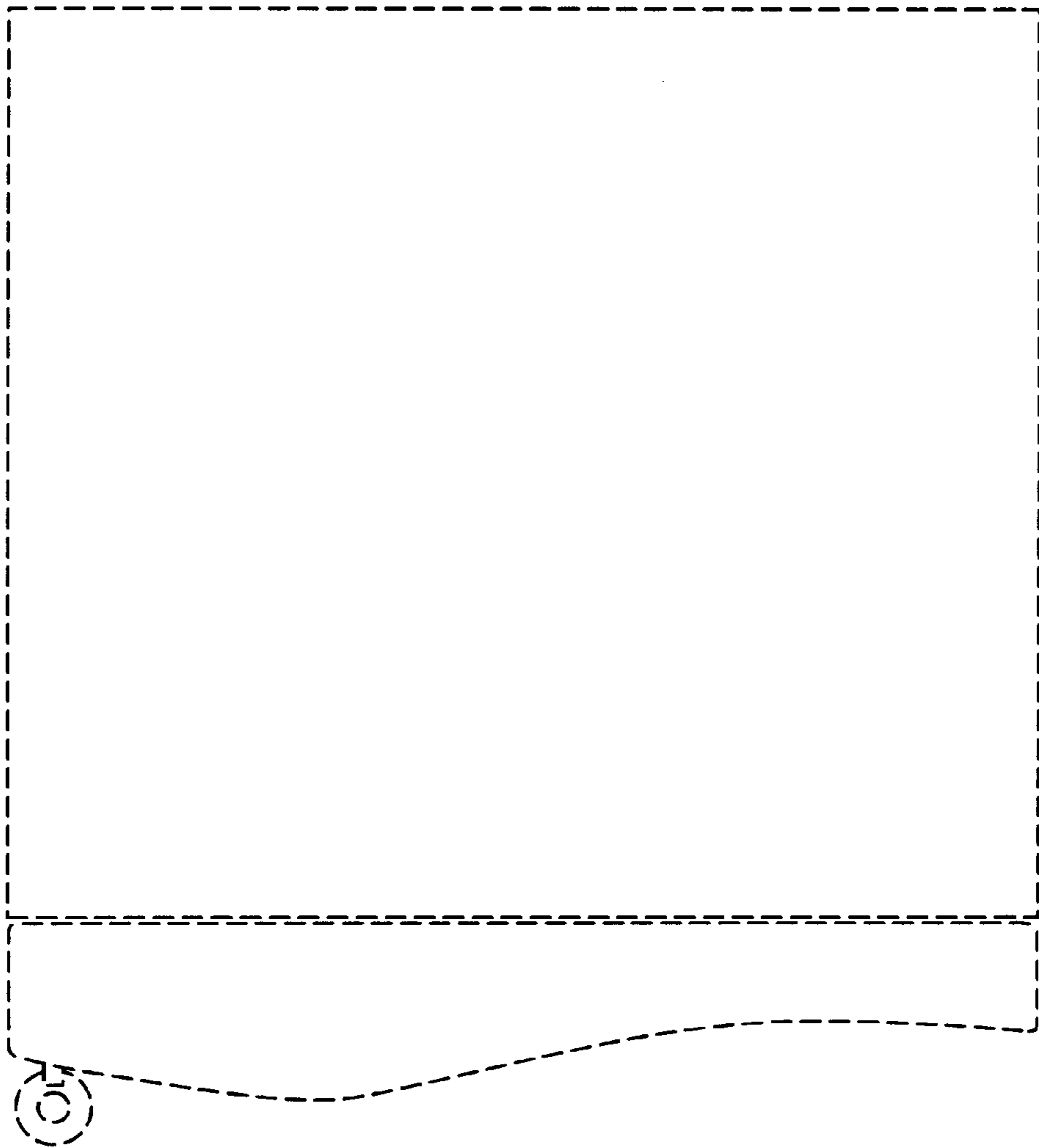


FIG. 5

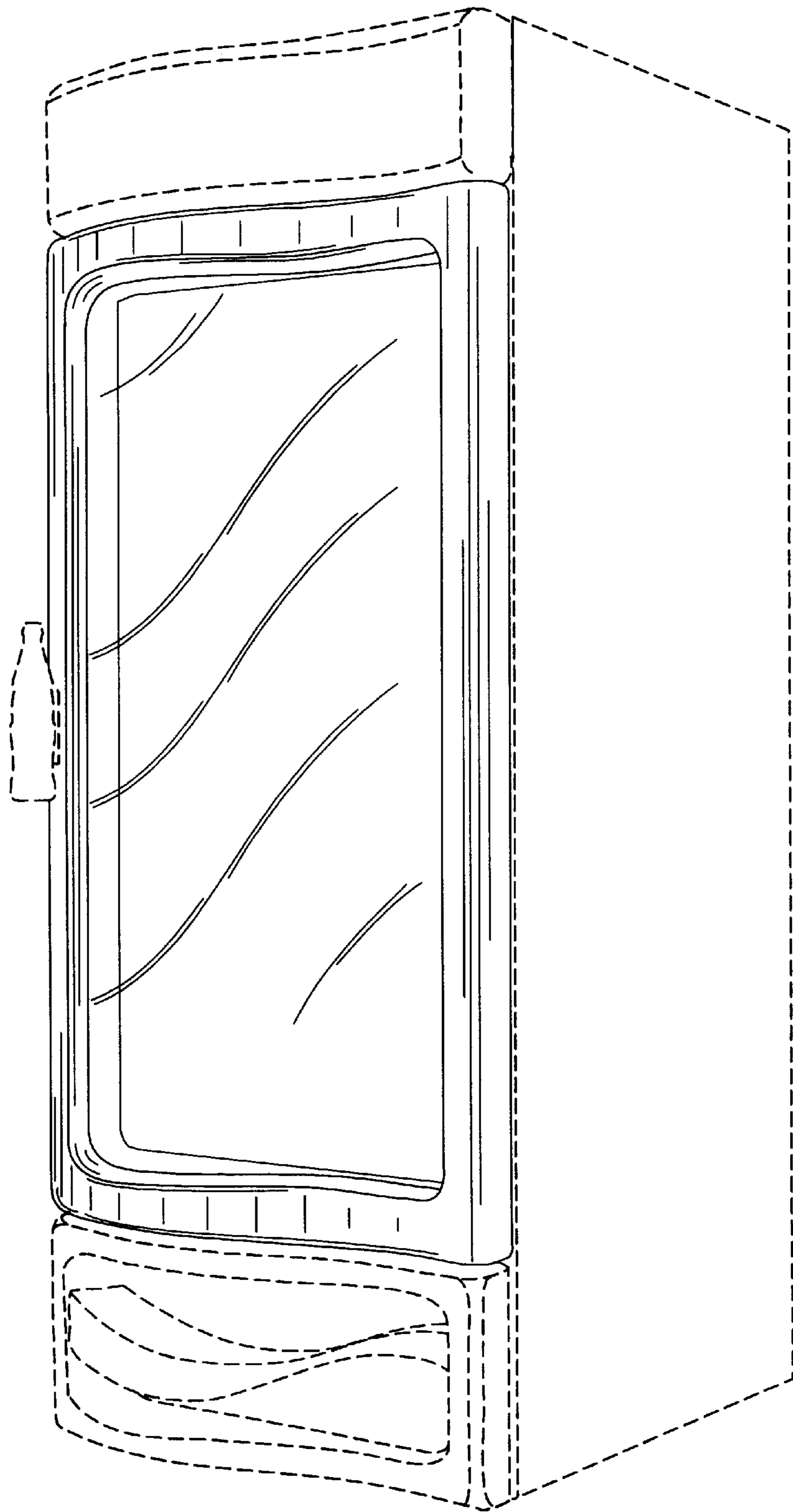


FIG. 6

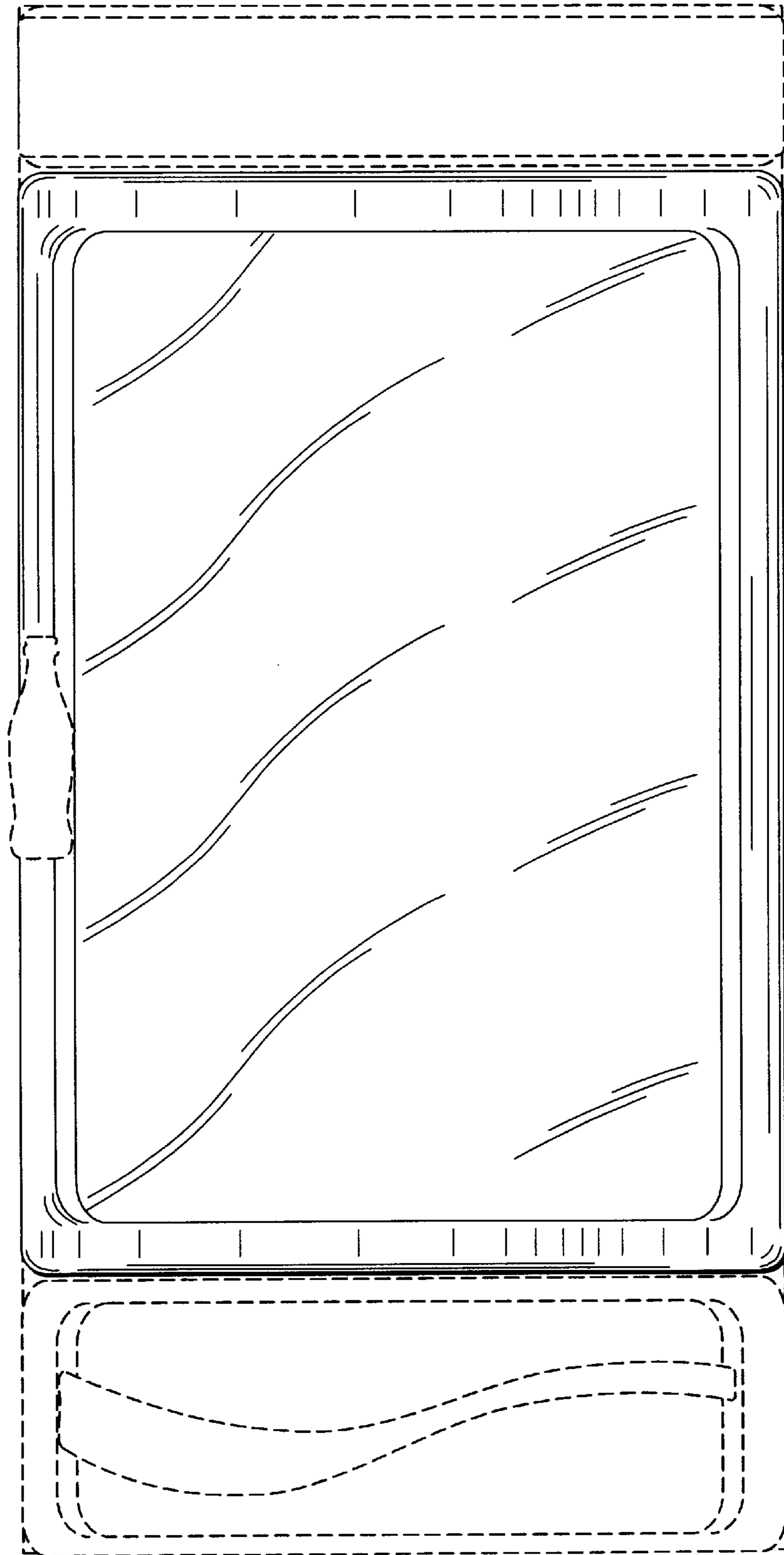


FIG. 7