



US00D423018S

United States Patent [19]

[11] **Patent Number: Des. 423,018**

Crosby et al.

[45] **Date of Patent: ** Apr. 18, 2000**

[54] **WALK BEHIND MOWER**

[75] Inventors: **Donald P. Crosby; Larry S. Funk; Daniel R. Cook**, all of Coffeyville, Kans.

[73] Assignee: **Dixon Industries, Inc.**, Coffeyville, Kans.

[**] Term: **14 Years**

[21] Appl. No.: **29/074,903**

[22] Filed: **Aug. 11, 1997**

[51] **LOC (6) Cl. 15-03**

[52] **U.S. Cl. D15/14**

[58] **Field of Search** D15/10, 14-17; 56/13.3, 13.4, 15.8, 15.9, 16.1, 16.7, 16.9, 17.4, 202, 255, 294, 320.1, 320.2

Snapper Brochure No. A9702, Entitled "Pro Gear Mid-Size Walk Behind" (Publication Date Unknown).

Scag Brochure (Incomplete Copy) (Publication Date Unknown).

Encore Bruchure Entitled "Commercial Turf Equipment" (Publication Date Unknown).

Toro Brochure Entitled "Professional Grounds Maintenance Equipment", pp. 1-3 and 12-15 (Publication Date Unknown).

Giant-Vac Catalog No. 70436, Entitled "Giant Mow" (Publication Date Unknown).

Kees Brochure No. 100319-2, Entitled "Professional Turf Equipment" (Publication Date Unknown).

Implement and Tractor, Feb. 1991. p. 8, Toro walk-behind mower.

Sears 1992 Lawn and Garden Catalog. p. 25, Yard-Man mower.

[56] **References Cited**

U.S. PATENT DOCUMENTS

D. 311,742	10/1990	Splittstoesser	D15/15
D. 359,740	6/1995	Crosby et al.	D15/15
4,129,977	12/1978	Comer	56/13.4
4,149,358	4/1979	Comer	56/13.4
4,326,370	4/1982	Thorud	56/202
4,558,558	12/1985	Horner, Jr. et al.	56/11.3
5,195,307	3/1993	Thorud et al.	56/11.3
5,261,214	11/1993	Wollersheim	56/11.3
5,355,662	10/1994	Schmidt	56/11.3
5,364,114	11/1994	Petersen	280/95.1
5,457,946	10/1995	Deitrick	56/16.6
5,496,226	3/1996	Splittstoesser et al.	476/24
5,518,079	5/1996	Zvolanek	180/19.1
5,526,635	6/1996	Wilder, Jr.	56/11.3
5,533,325	7/1996	Sallstrom et al.	56/7
5,569,106	10/1996	Splittstoesser et al.	474/125
5,651,241	7/1997	Wegner	56/11.2

OTHER PUBLICATIONS

Honda Power Equipment Brochure Entitled "Commercial Mowers" (Publication Date Unknown).

Snapper Brochure Entitled "Commerical Products" (Publication Date Unknown).

Primary Examiner—Sandra L. Morris
Attorney, Agent, or Firm—Hovey, Williams, Timmons & Collins

[57] **CLAIM**

The ornamental design for a walk-behind mower, as shown and described.

DESCRIPTION

FIG. 1 is a perspective view of a walk-behind mower embodying our design in accordance with the present invention;

FIG. 2 is a top plan view of the mower;

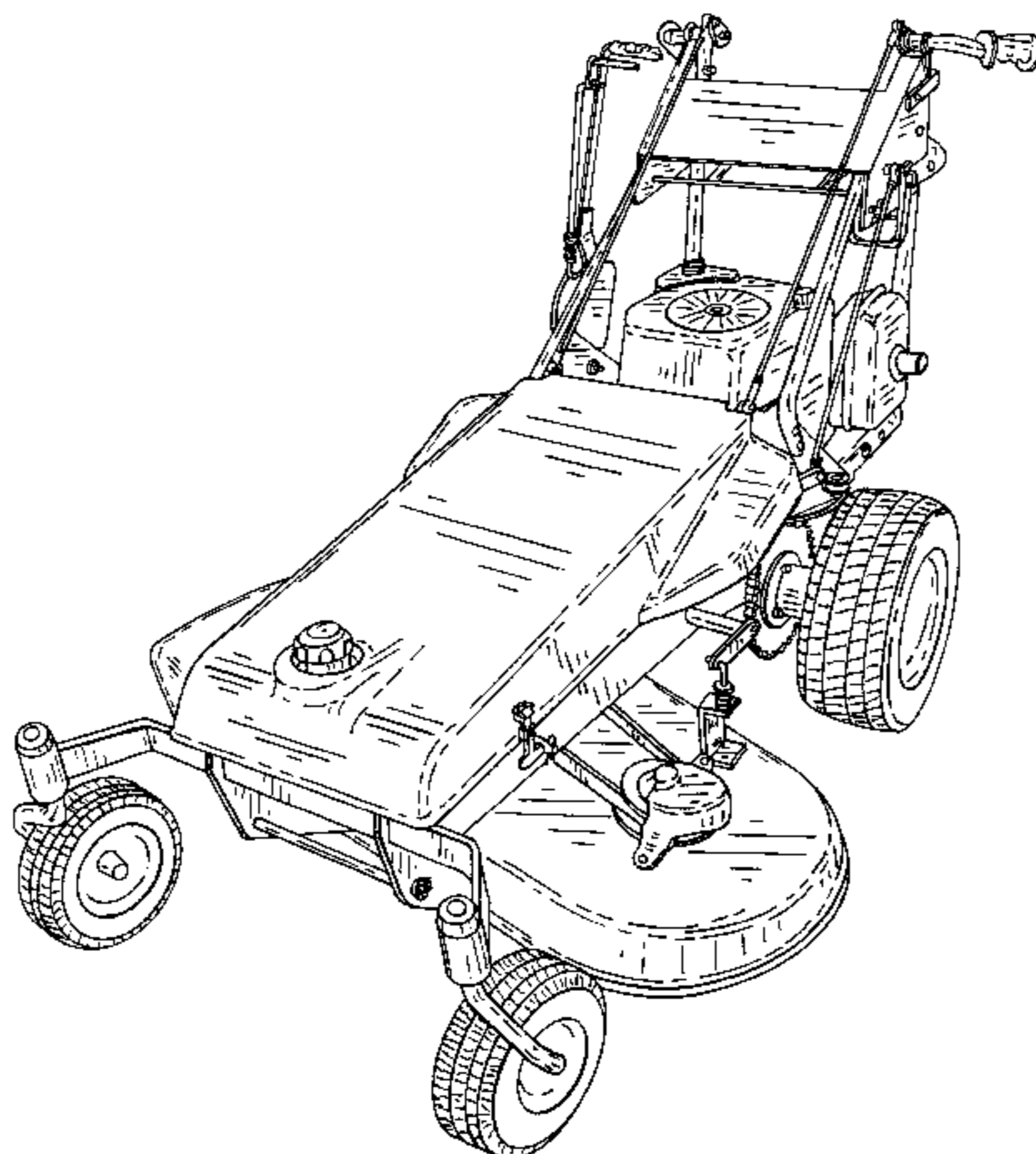
FIG. 3 is a right side elevational view of the mower;

FIG. 4 is a left side elevational view of the mower;

FIG. 5 is a front perspective view of the mower; and,

FIG. 6 is a rear perspective view of the mower.

1 Claim, 4 Drawing Sheets



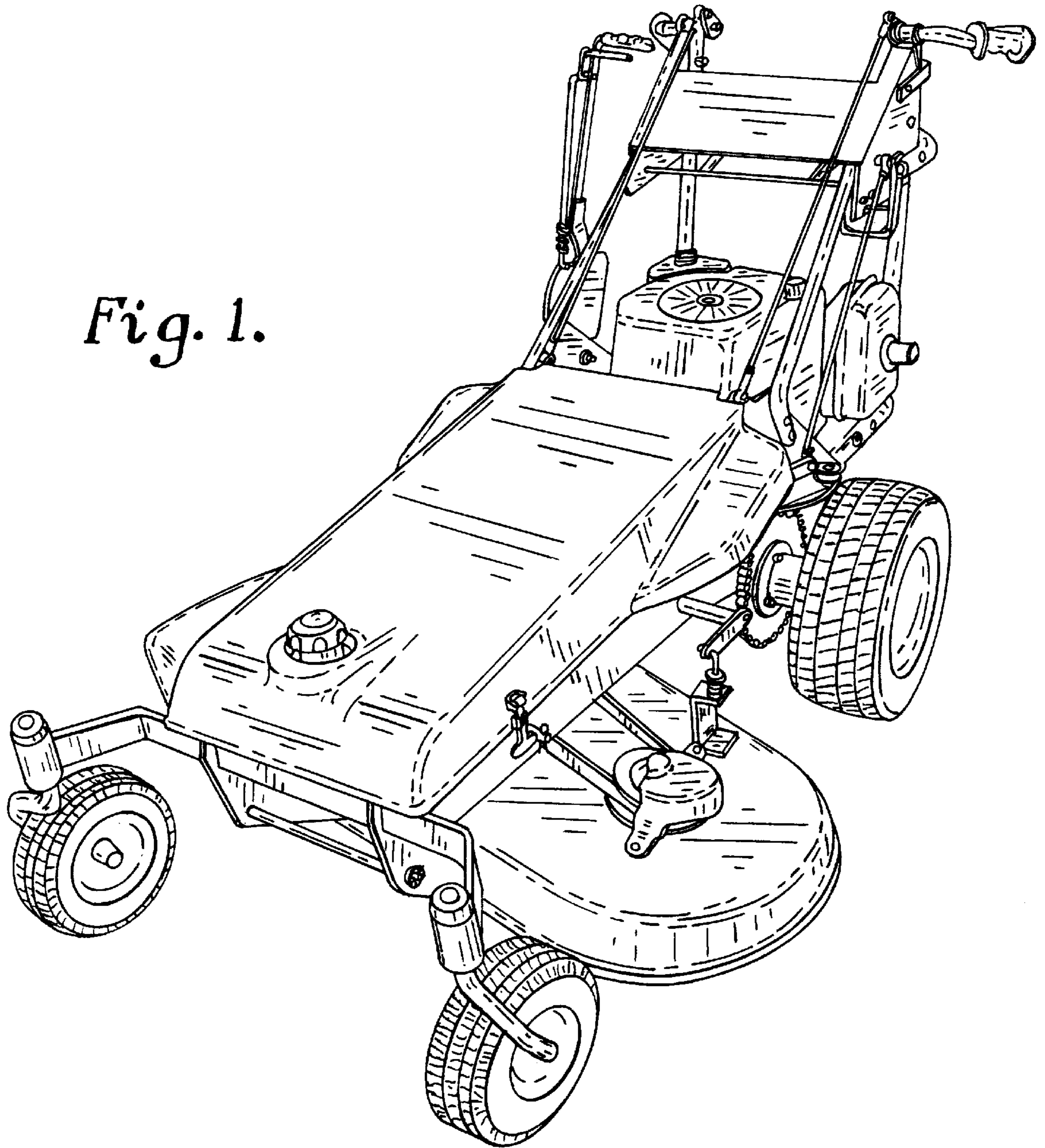


Fig. 1.

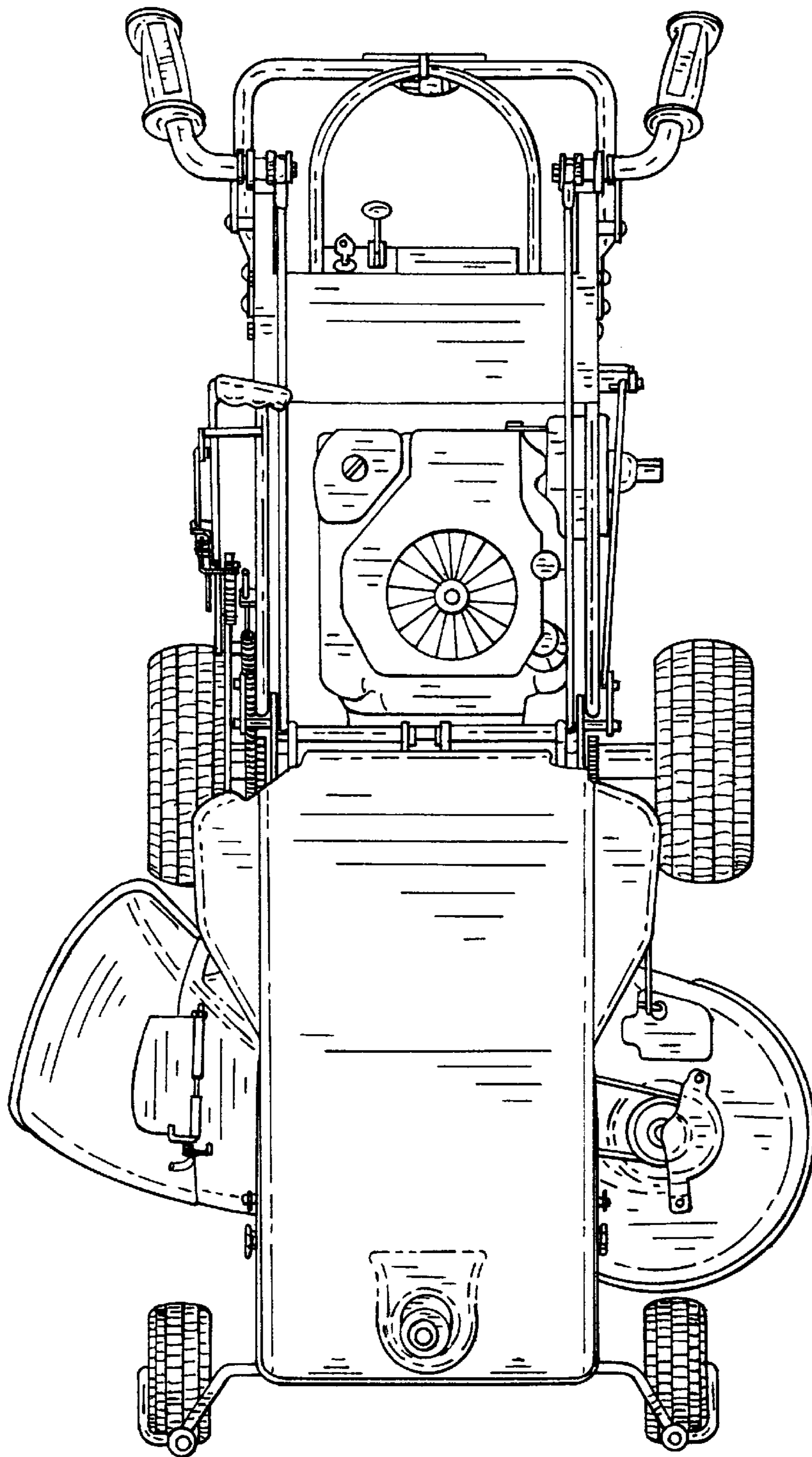


Fig. 2.

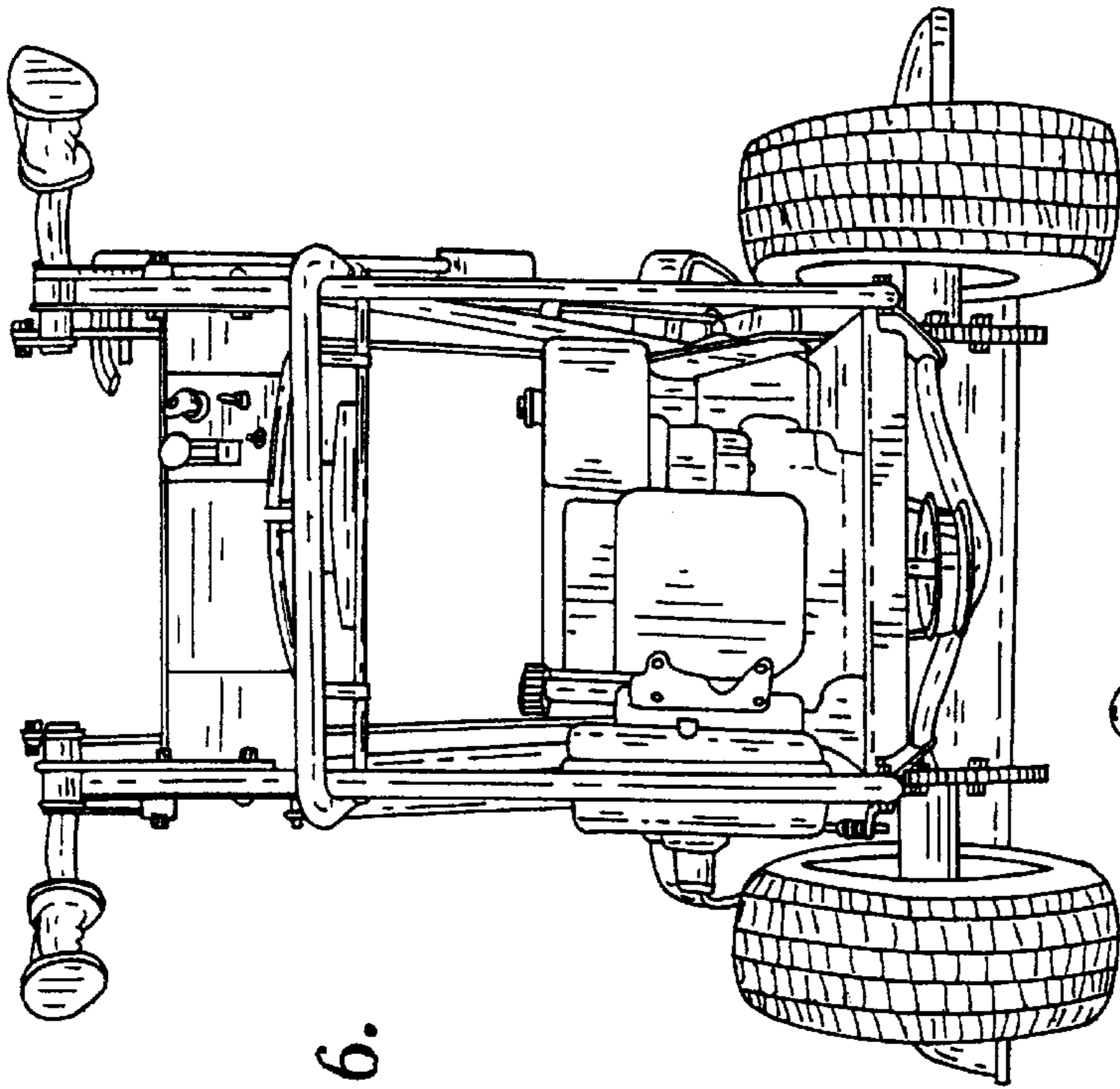


Fig. 6.

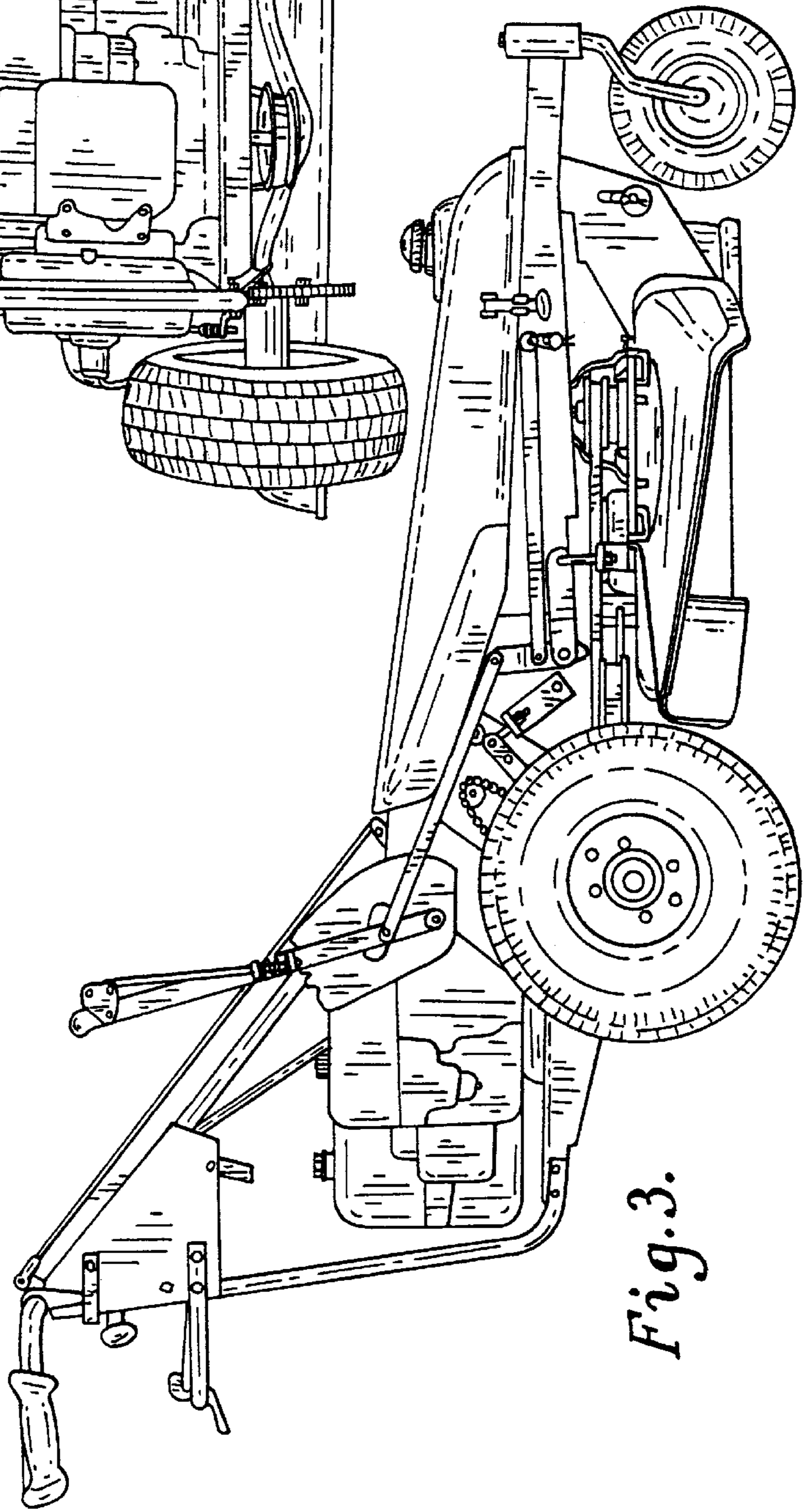


Fig. 3.

