



US00D423016S

**United States Patent** [19]  
**Fletcher**

[11] **Patent Number: Des. 423,016**

[45] **Date of Patent: \*\* Apr. 18, 2000**

[54] **PHONE COVER**

[76] Inventor: **Patrick W. Fletcher**, 401 Regency Ct.,  
#7, Louisville, Ky. 40207

[\*\*] Term: **14 Years**

[21] Appl. No.: **29/100,017**

[22] Filed: **Feb. 2, 1999**

[51] **LOC (6) Cl. .... 14-03**

[52] **U.S. Cl. .... D14/250; D21/548**

[58] **Field of Search .... D21/548, 549,  
D21/550, 443; D14/114, 140, 142, 240,  
138, 250; D6/610; 379/451, 452, 437, 439**

[56] **References Cited**

**U.S. PATENT DOCUMENTS**

D. 291,570	8/1987	Basch .	
D. 303,260	9/1989	Gobindram .	
D. 305,758	1/1990	Wilson .	
D. 316,091	4/1991	Gobindram .	
D. 317,452	6/1991	Garab .....	D14/250
D. 324,216	2/1992	Gobindram .	
D. 338,470	8/1993	Clayton .....	D14/250
D. 339,340	9/1993	Gobindram .	
D. 349,632	8/1994	Nicholson et al. ....	D21/549 X
D. 387,748	12/1997	Martella .....	D14/114

D. 390,433	2/1998	Miller .....	D21/549 X
D. 402,997	12/1998	Campbell et al. ....	D21/548 X
D. 404,027	1/1999	Bush .....	D14/114
5,692,956	12/1997	Rifkin .....	D14/114 X

*Primary Examiner*—Jeffrey Asch  
*Attorney, Agent, or Firm*—Kenneth L Tolar

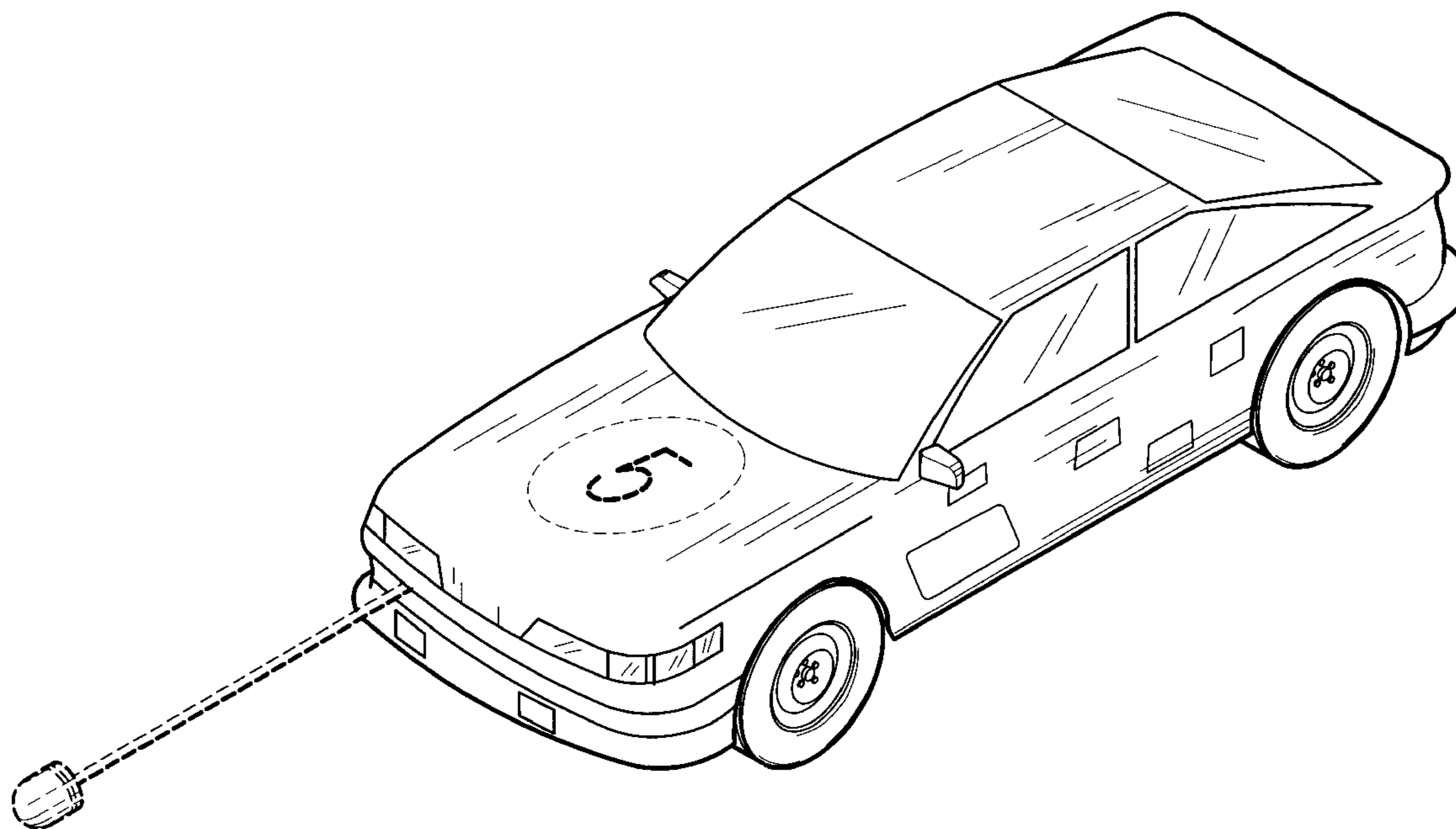
[57] **CLAIM**

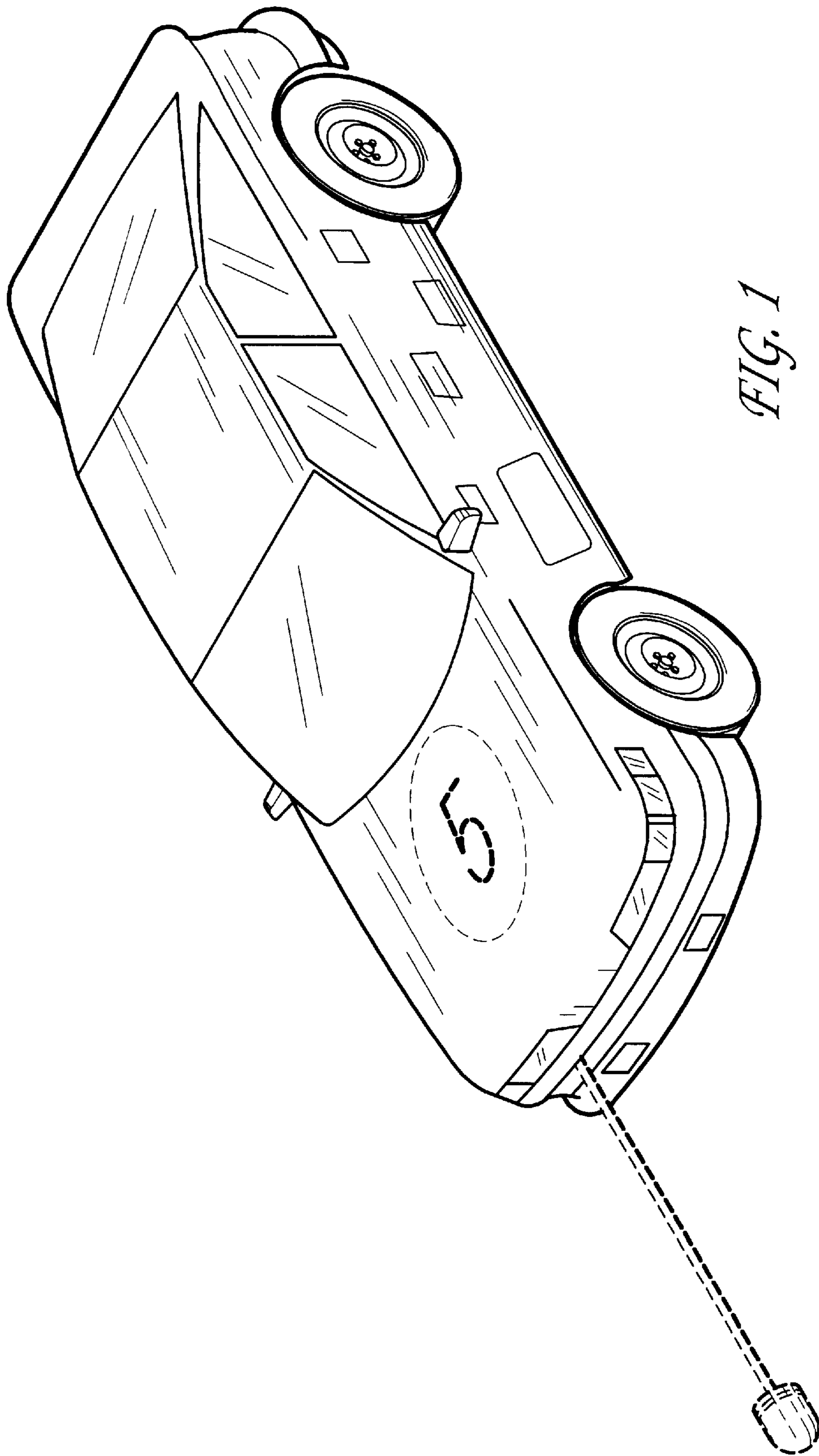
The ornamental design for a phone cover, as shown and described.

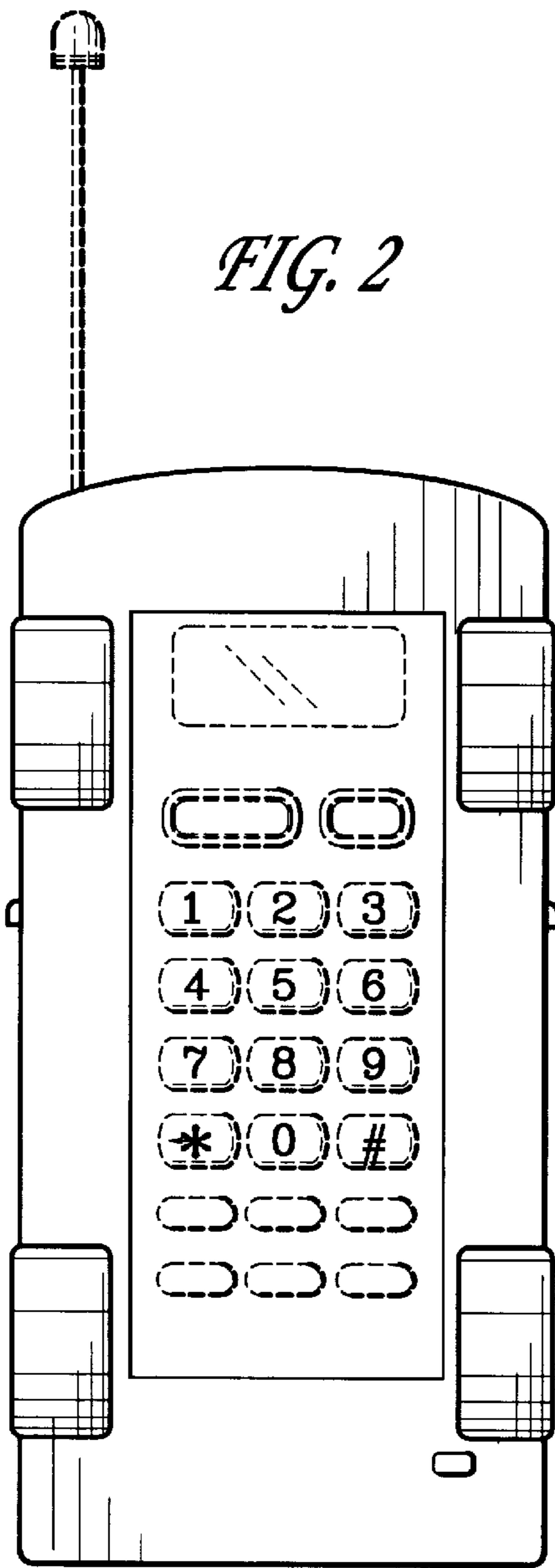
**DESCRIPTION**

FIG. 1 is a perspective view of the cover according to the present invention with a telephone received therein; FIG. 2 is a bottom plan view of the cover with a phone received therein; FIG. 3 is a top plan view of the cover with a phone received therein; FIG. 4 is a rear view of the cover; FIG. 5 is a front view of the cover; FIG. 6 is a left side view of the cover; and, FIG. 7 is a right side view of the cover. The broken line showings of the telephone, including an antenna and a keypad, as well as the surface ornamentation, are all for illustrative purposes only and form no part of the claimed design.

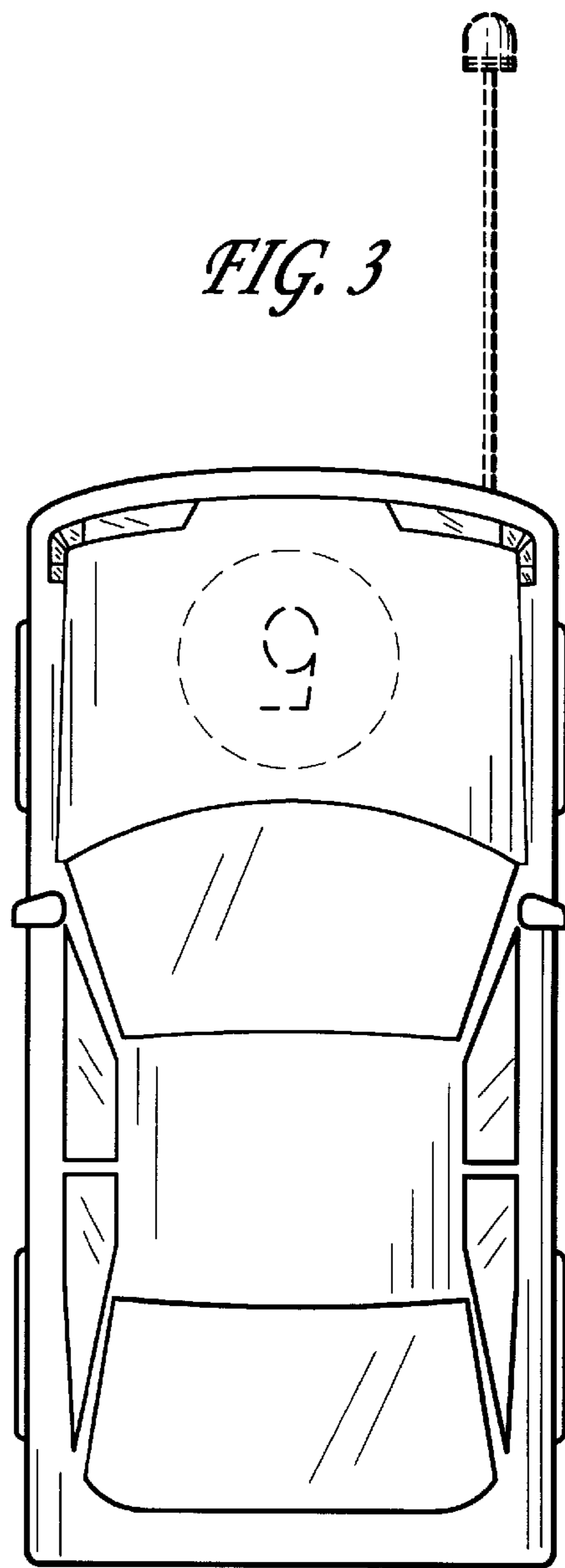
**1 Claim, 3 Drawing Sheets**



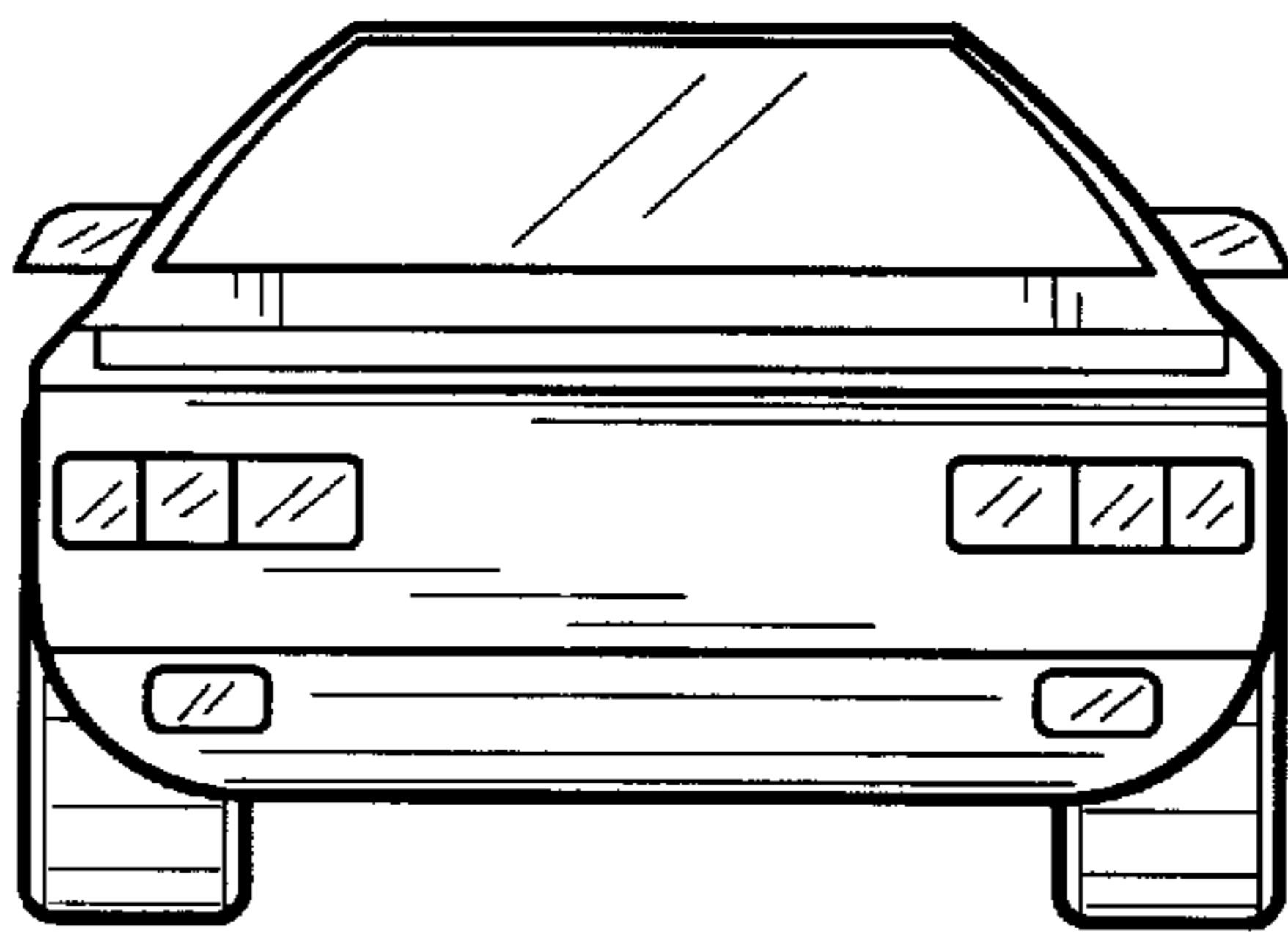




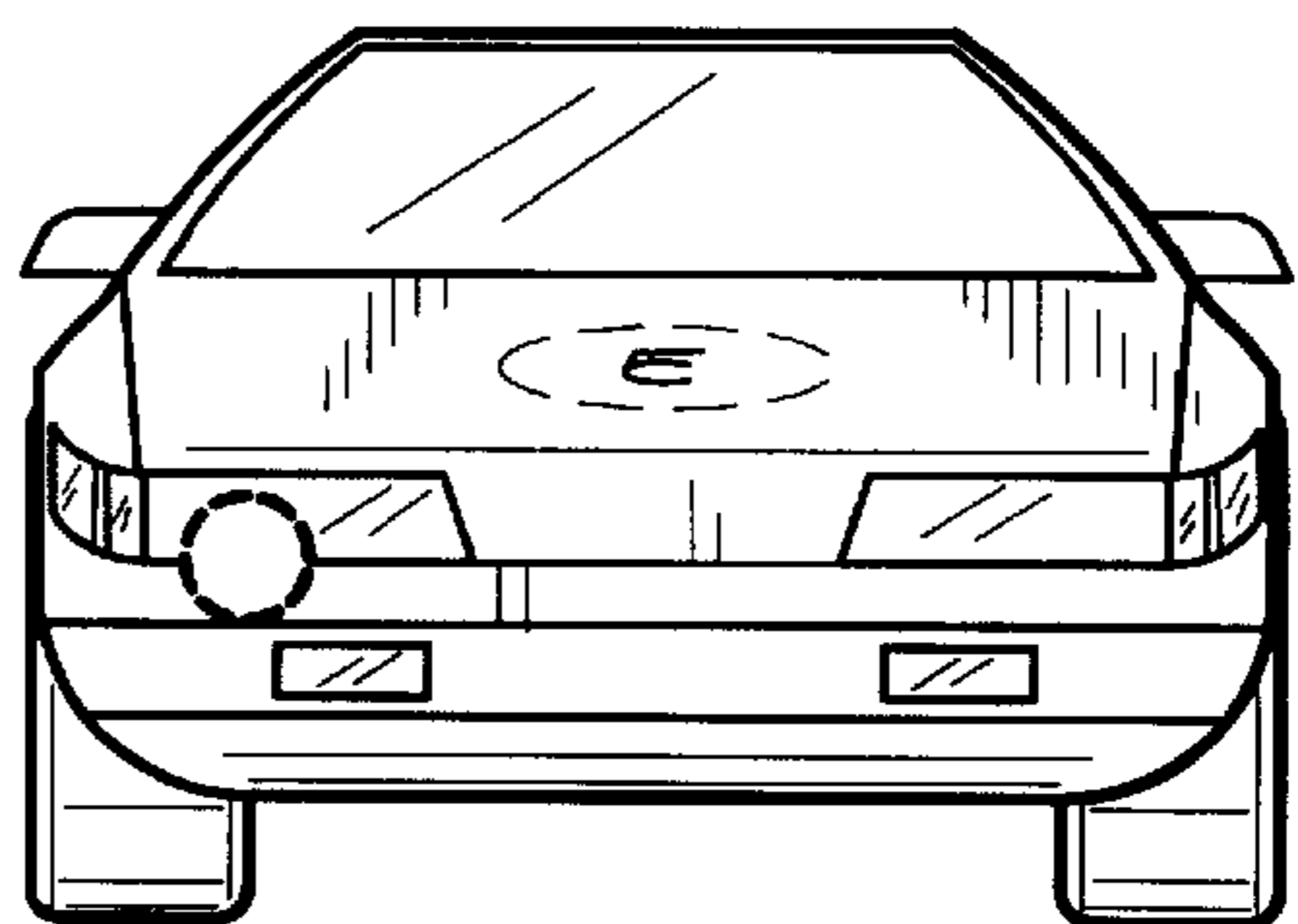
*FIG. 2*



*FIG. 3*



*FIG. 4*



*FIG. 5*

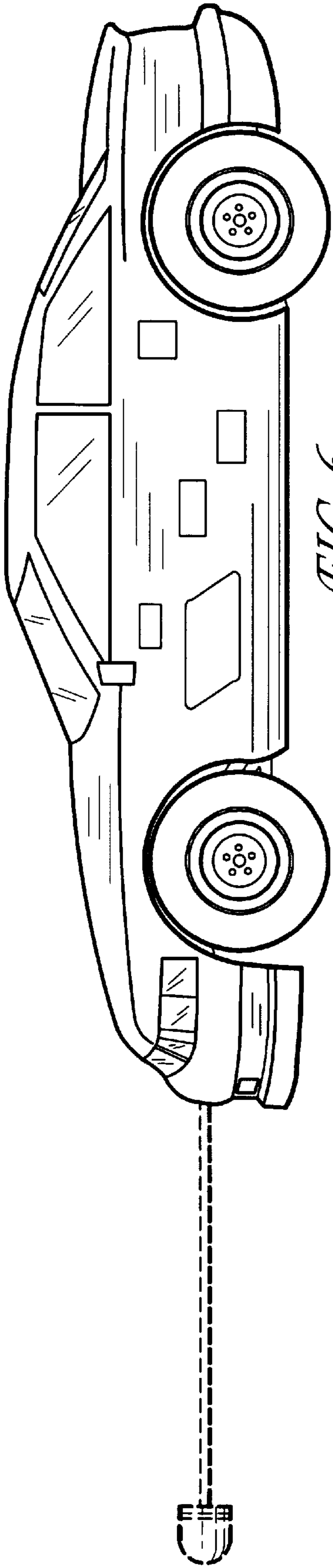


FIG. 6

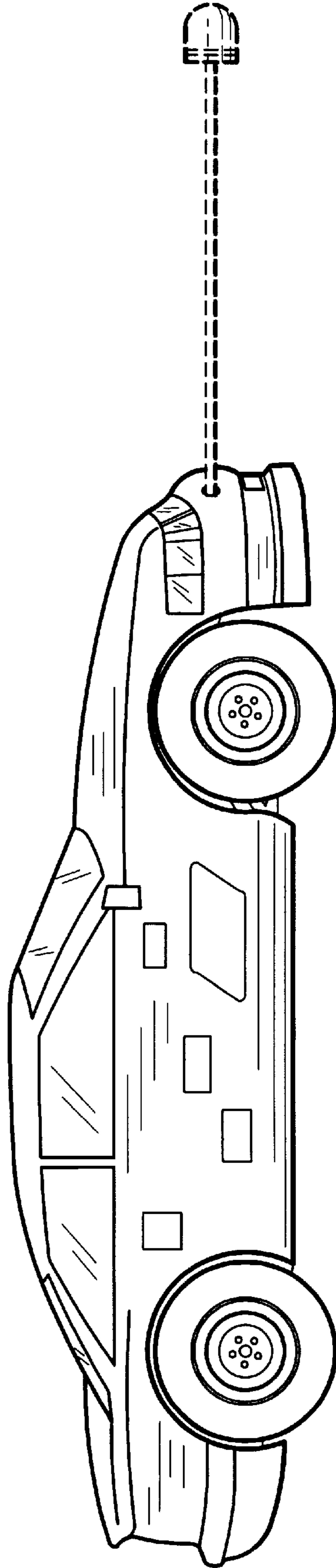


FIG. 7