



US00D423013S

United States Patent [19]

Warner

[11] **Patent Number: Des. 423,013**

[45] **Date of Patent: ** Apr. 18, 2000**

[54] **CIRCULATING WATER SOUND BOX**

D. 330,202 10/1992 Adiwono D14/168
D. 387,982 12/1997 Kaplan D9/432 X

[76] Inventor: **Gregory K. Warner**, S12 W26316
Chancery La., Waukesha, Wis. 53188

Primary Examiner—Nanda Bondade
Attorney, Agent, or Firm—Westman, Champlin & Kelly,
P.A.

[**] Term: **14 Years**

[21] Appl. No.: **29/085,126**

[57] CLAIM

[22] Filed: **Mar. 17, 1998**

The ornamental design for a circulating water sound box, as shown.

[51] **LOC (6) Cl.** **14-01**

DESCRIPTION

[52] **U.S. Cl.** **D14/207; D14/214**

[58] **Field of Search** D9/432; D14/204,
D14/209–214, 207; 181/144–145, 148,
150, 157, 198, 199; 381/24, 88, 90, 153,
159, 186, 188

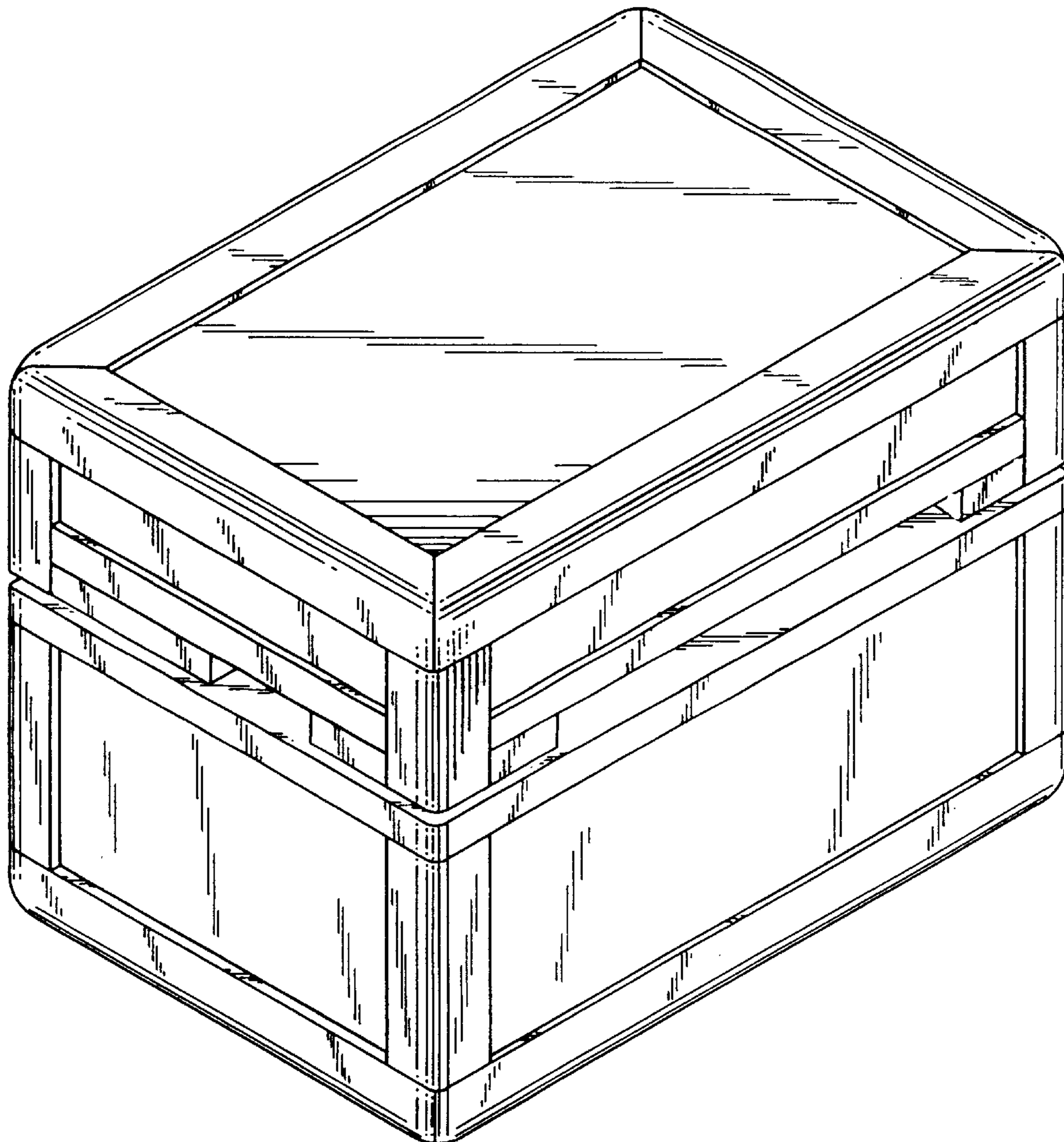
FIG. 1 is a top front perspective view of a circulating water sound box embodying my new design;
FIG. 2 is a top plan view thereof;
FIG. 3 is a front elevational view thereof;
FIG. 4 is a left side elevational view thereof;
FIG. 5 is a right side elevational view thereof;
FIG. 6 is a rear elevational view thereof; and,
FIG. 7 is a bottom plan view thereof.

[56] References Cited

U.S. PATENT DOCUMENTS

D. 261,234 10/1981 Abraham D9/432
D. 268,180 3/1983 Leo D14/214
D. 319,445 8/1991 Yamakawa D14/214

1 Claim, 4 Drawing Sheets



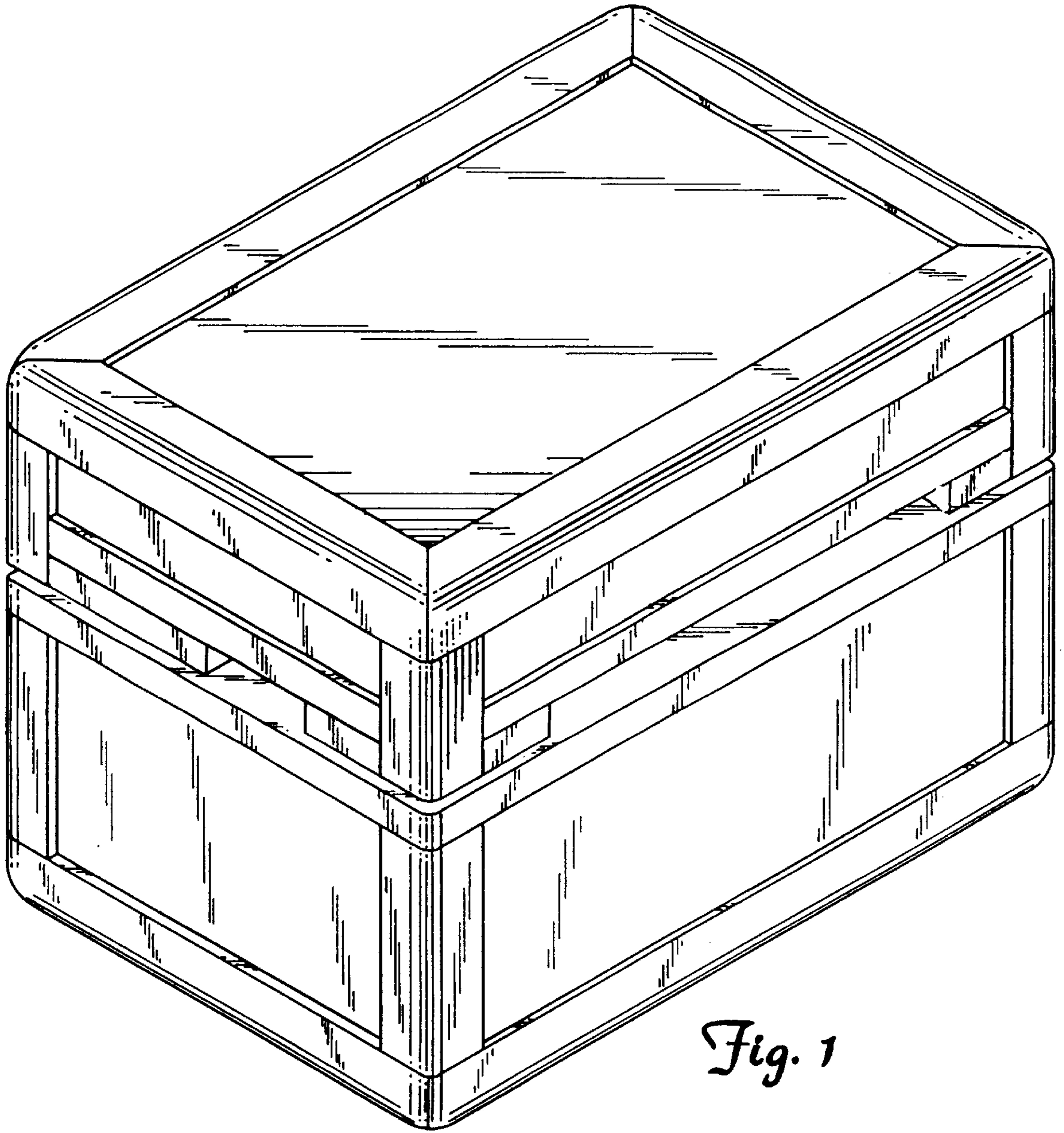


Fig. 1

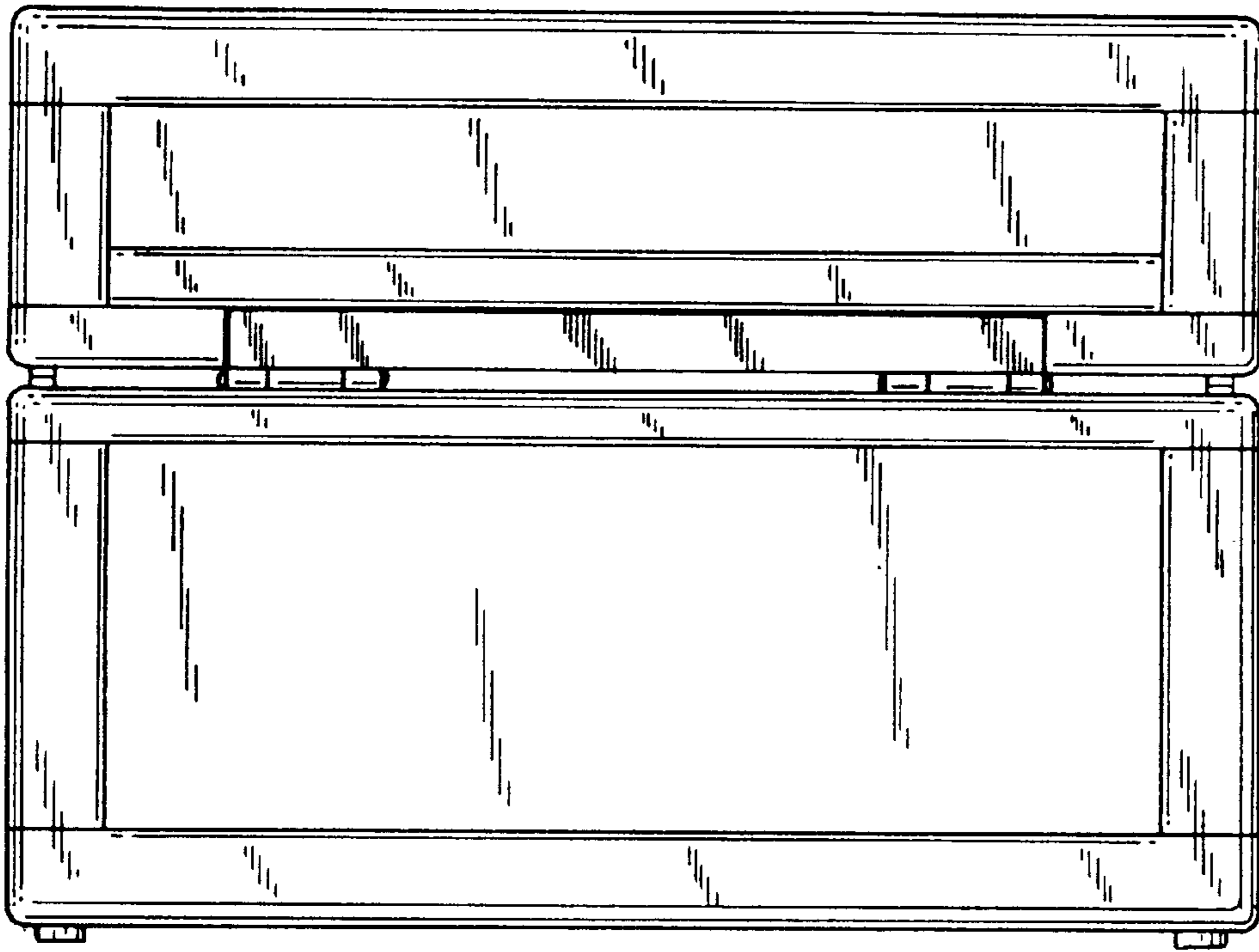


Fig. 3

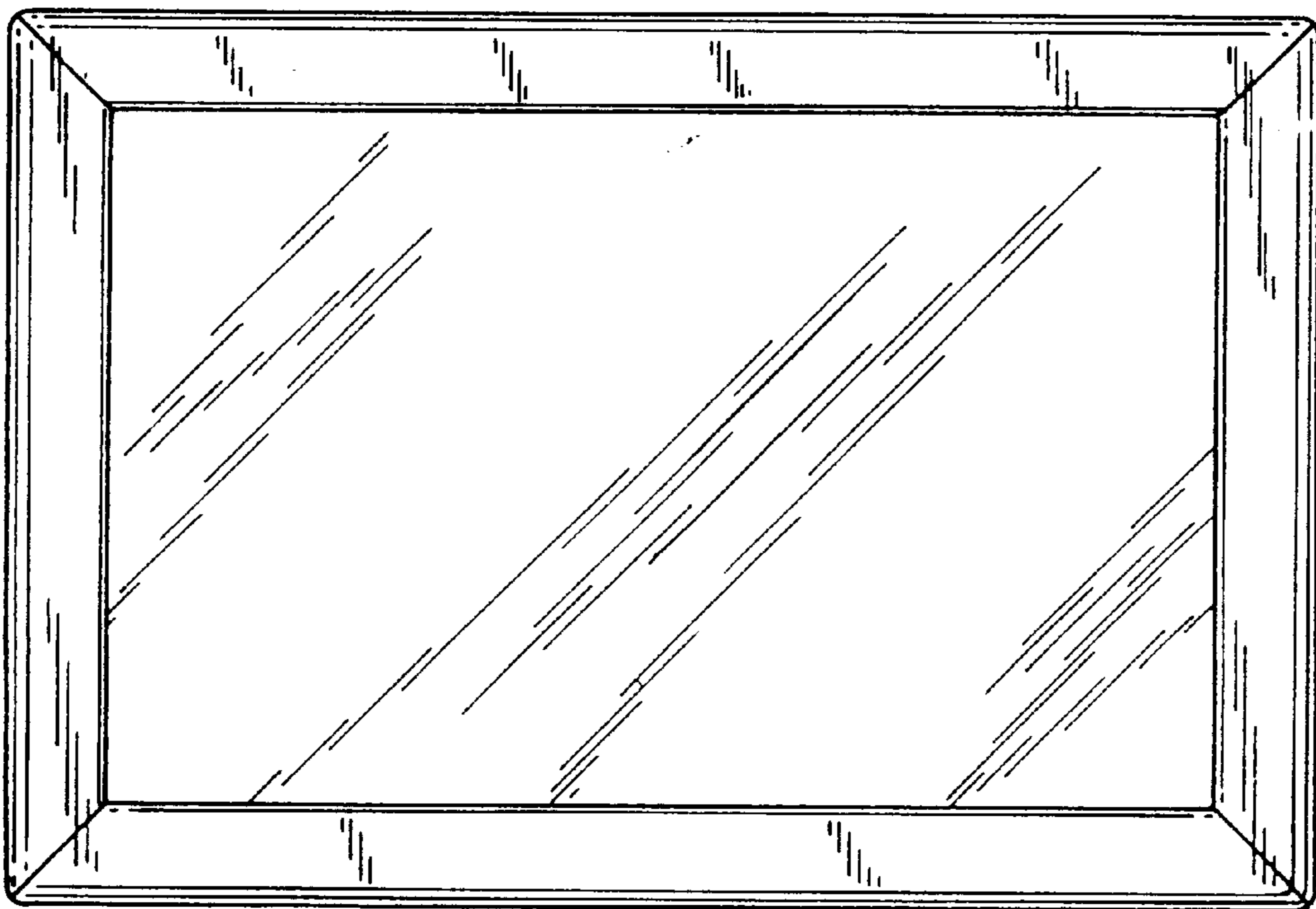


Fig. 2

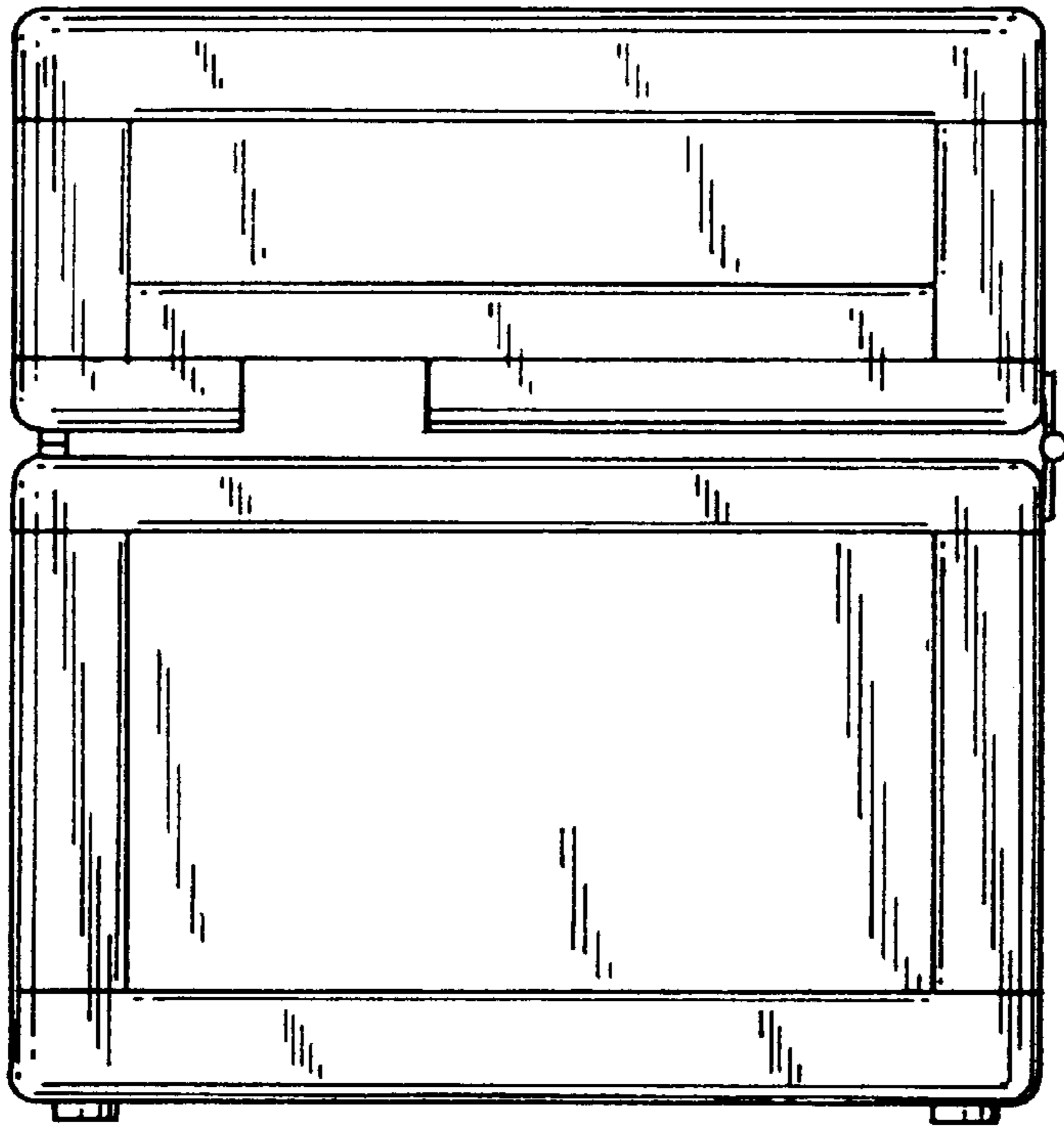


Fig. 4

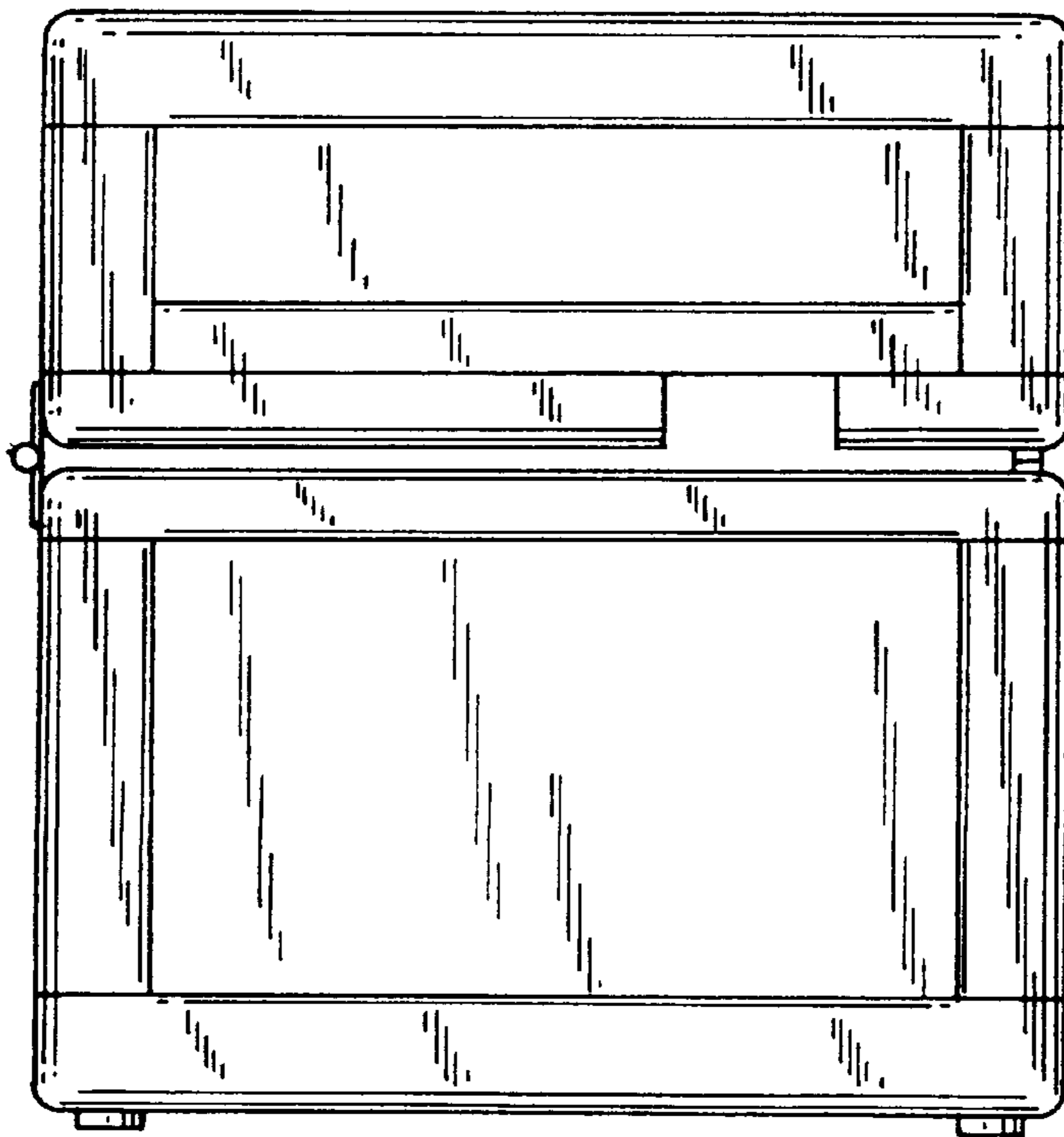


Fig. 5

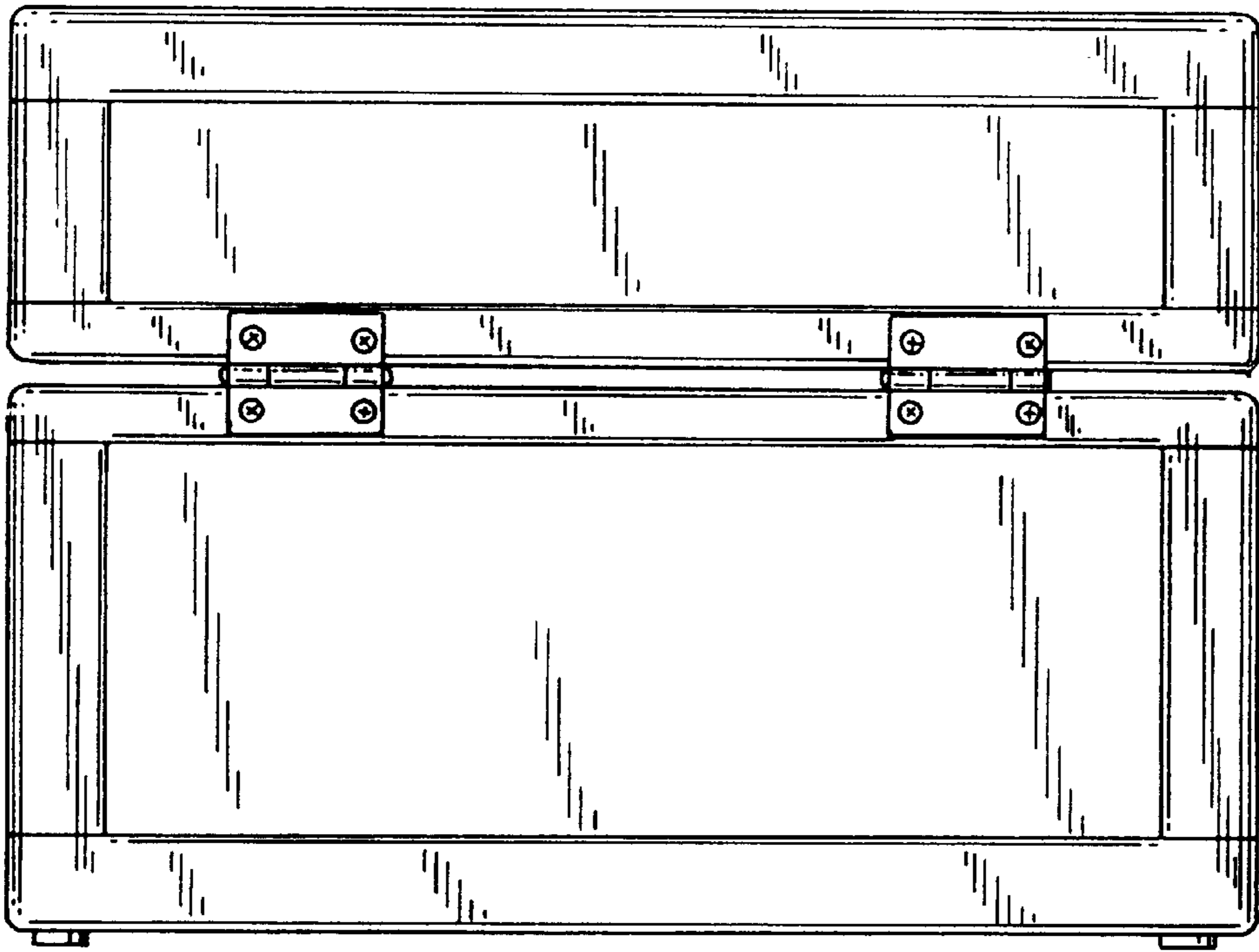


Fig. 6

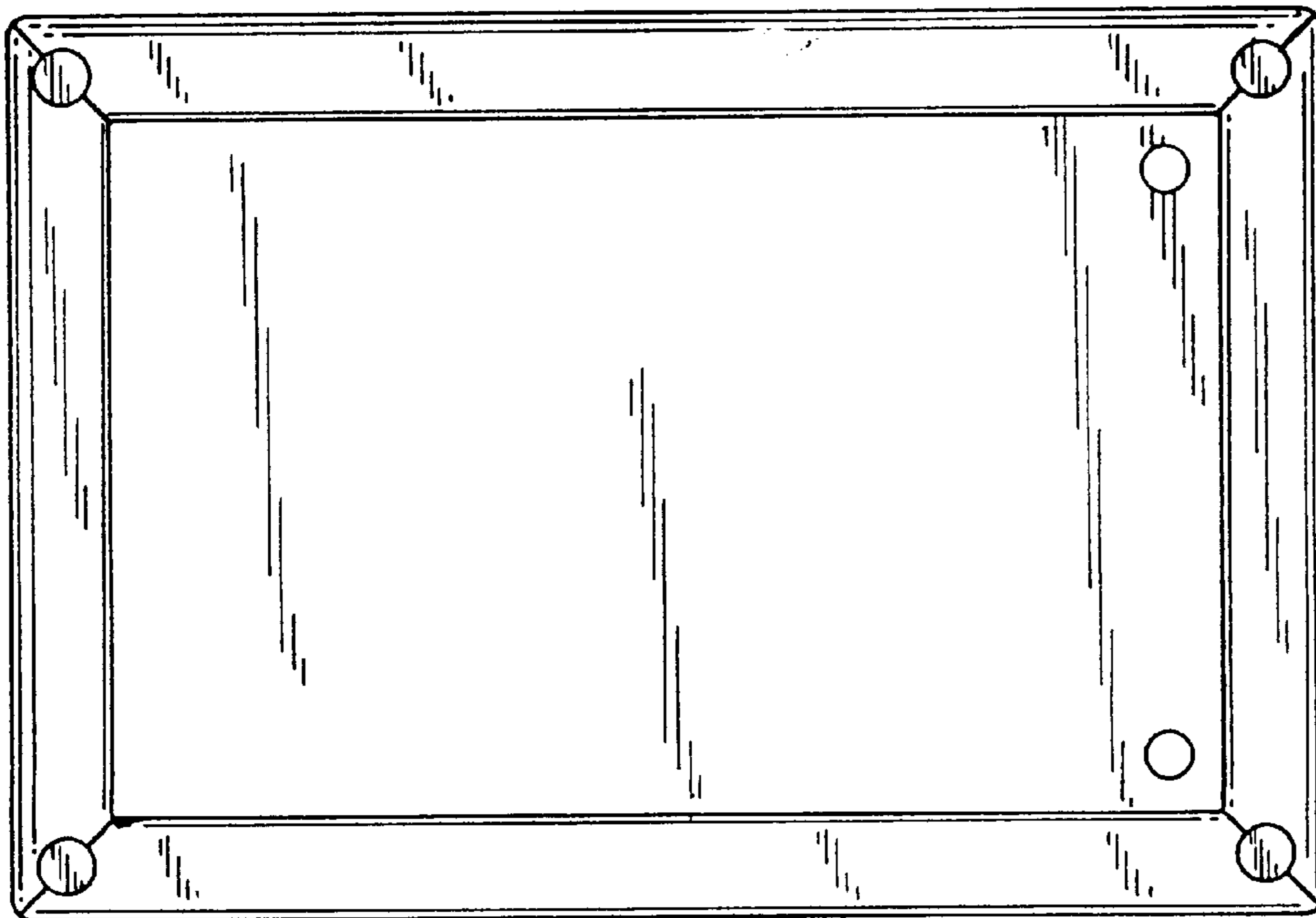


Fig. 7