



US00D423009S

# United States Patent [19] Tejima

[11] **Patent Number: Des. 423,009**

[45] **Date of Patent: \*\* Apr. 18, 2000**

[54] **COMBINED DISC RECORDER AND PLAYER**

[75] Inventor: **Keisuke Tejima**, Tokyo, Japan

[73] Assignee: **Sony Corporation**, Japan

[\*\*] Term: **14 Years**

[21] Appl. No.: **29/105,891**

[22] Filed: **Jun. 2, 1999**

[51] **LOC (6) Cl.** ..... **14-01**

[52] **U.S. Cl.** ..... **D14/168; D15/156**

[58] **Field of Search** ..... D14/135, 136,  
D14/156, 160-168, 188, 197-198; 369/75.1,  
75.2, 77.1, 77.2; 455/344, 347, 350, 351

[56] **References Cited**

**U.S. PATENT DOCUMENTS**

D. 310,837	9/1990	Takimoto	.....	D14/156 X
D. 341,832	11/1993	Ito et al.	.....	D14/198
D. 379,625	6/1997	Uchiyama	.....	D14/156
5,177,730	1/1993	Utsugi	.....	369/75.1

**OTHER PUBLICATIONS**

Catalog "91" (DHC-MD777, DHC-MD717); Sony, Mar. 1999, pp. 115 & 117.

*Primary Examiner*—Nanda Bondade  
*Attorney, Agent, or Firm*—Rader, Fishman & Grauer

[57] **CLAIM**

The ornamental design for a combined disc recorder and player, as shown and described.

**DESCRIPTION**

FIG. 1 is a perspective view of a combined disc recorder and player showing my new design;  
FIG. 2 is a top plan view thereof;  
FIG. 3 is a bottom plan view thereof;  
FIG. 4 is a left side elevational view thereof;  
FIG. 5 is a right side elevational view thereof;  
FIG. 6 is a front elevational view thereof; and,  
FIG. 7 is a rear elevational view thereof.

**1 Claim, 4 Drawing Sheets**

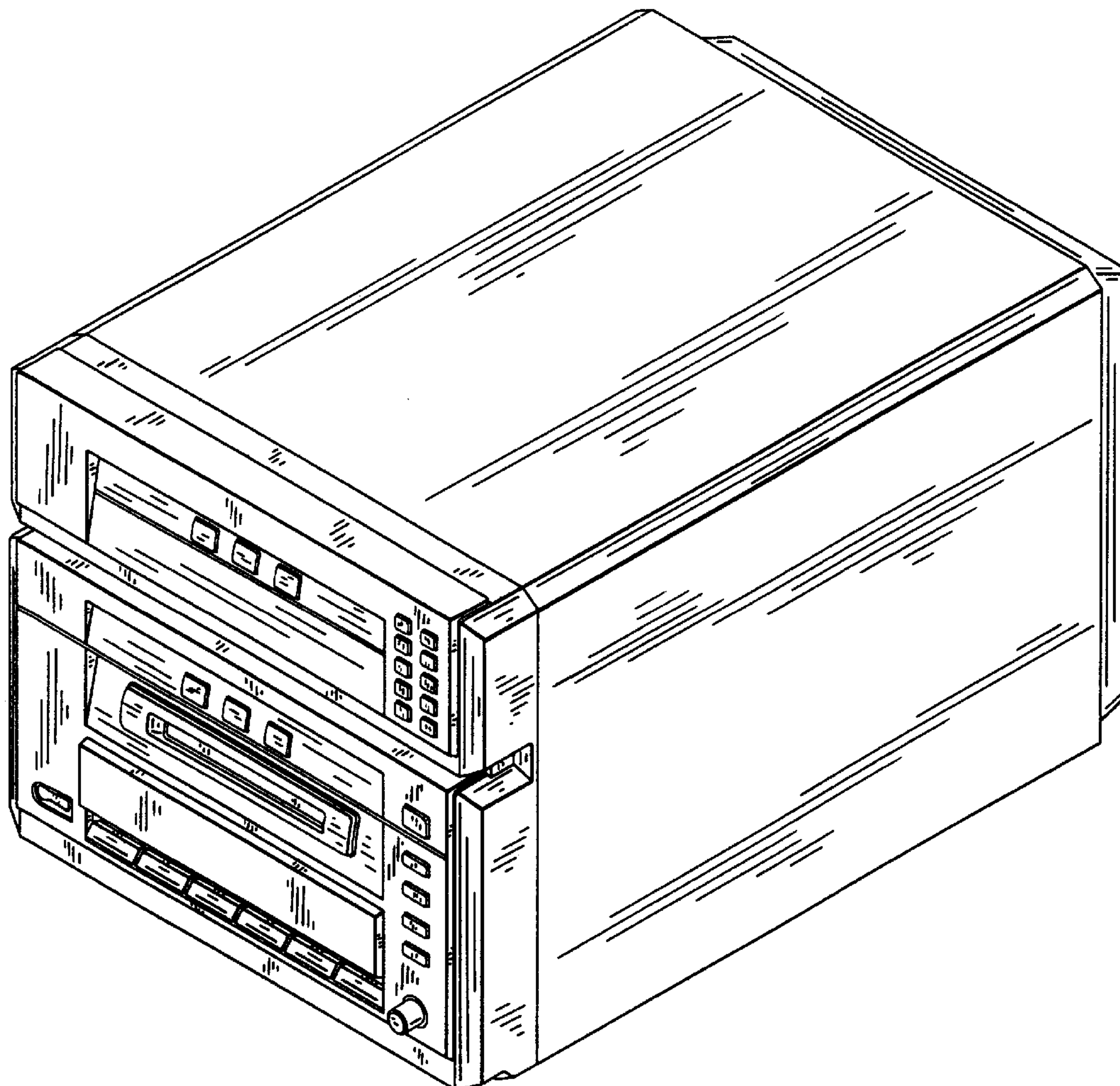


FIG. 1

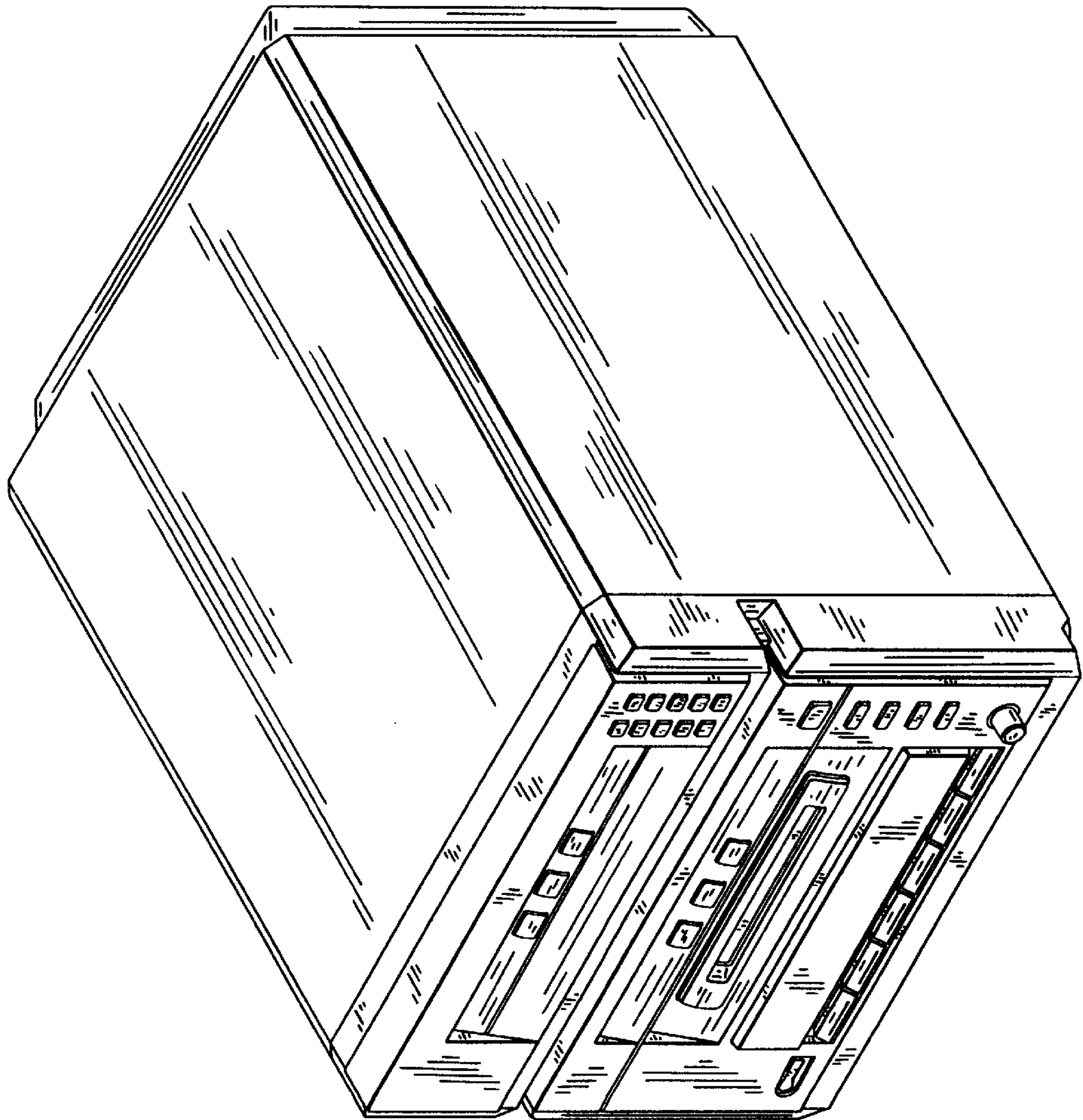


FIG. 3

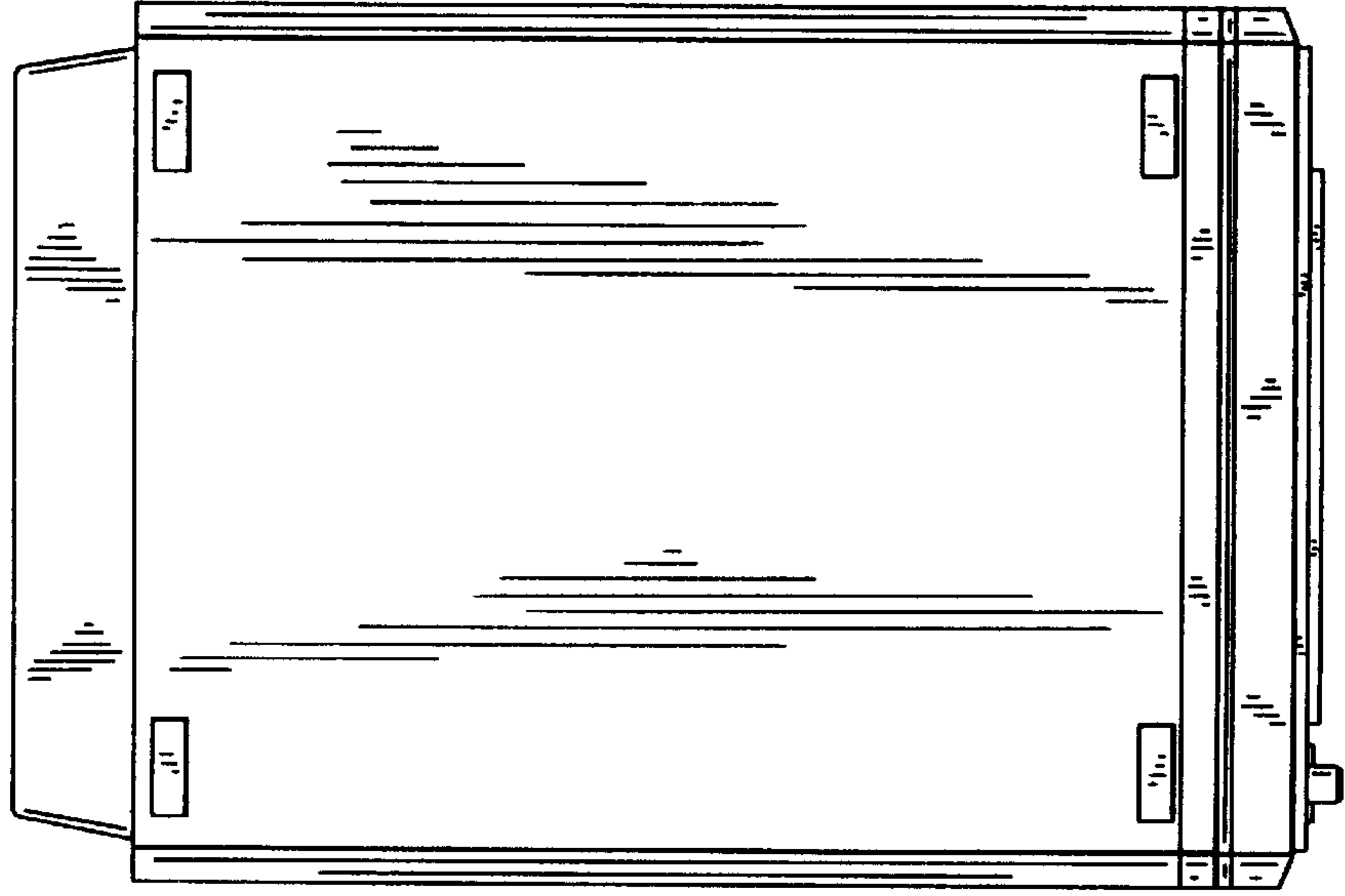


FIG. 2

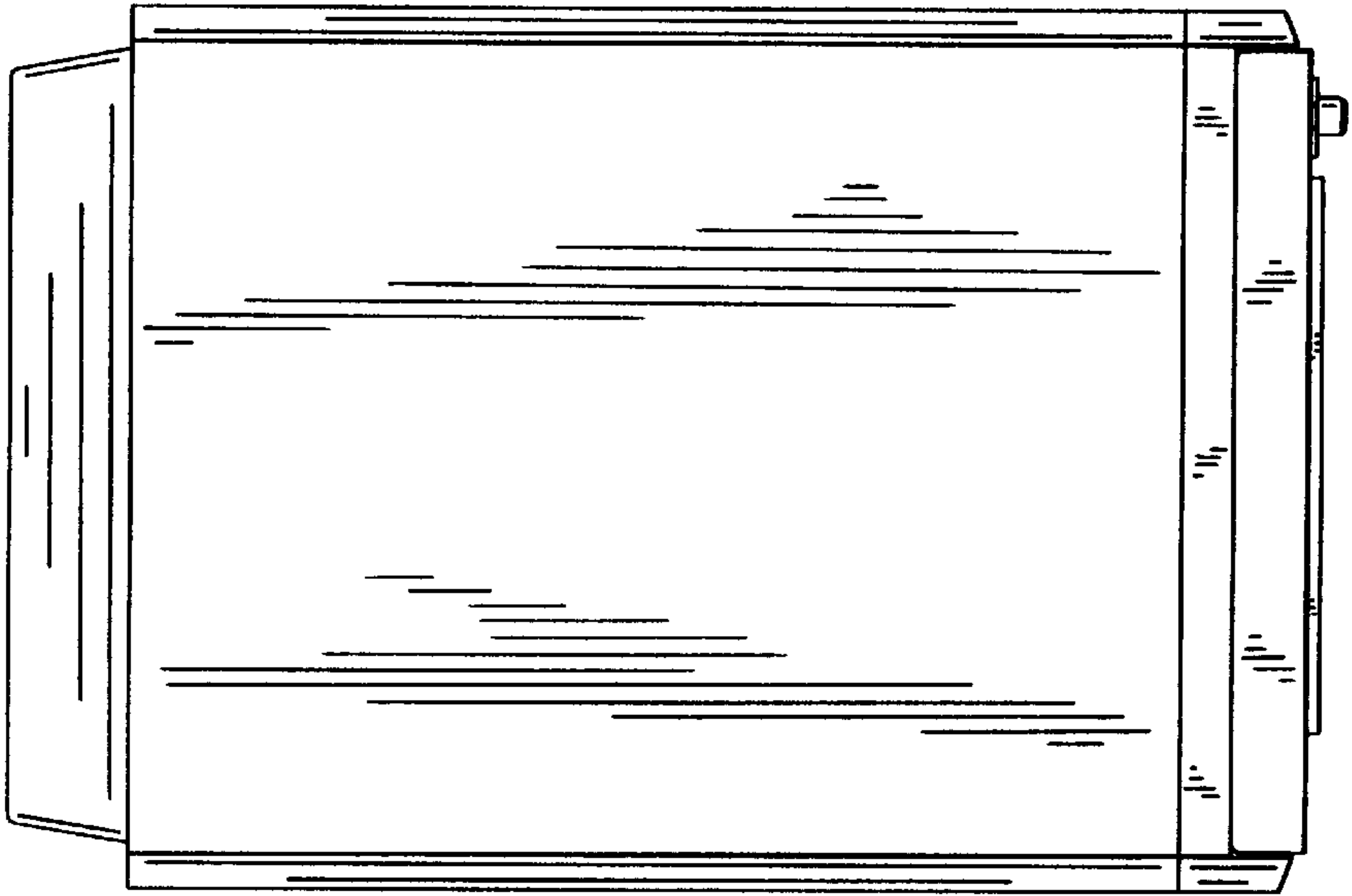


FIG. 5

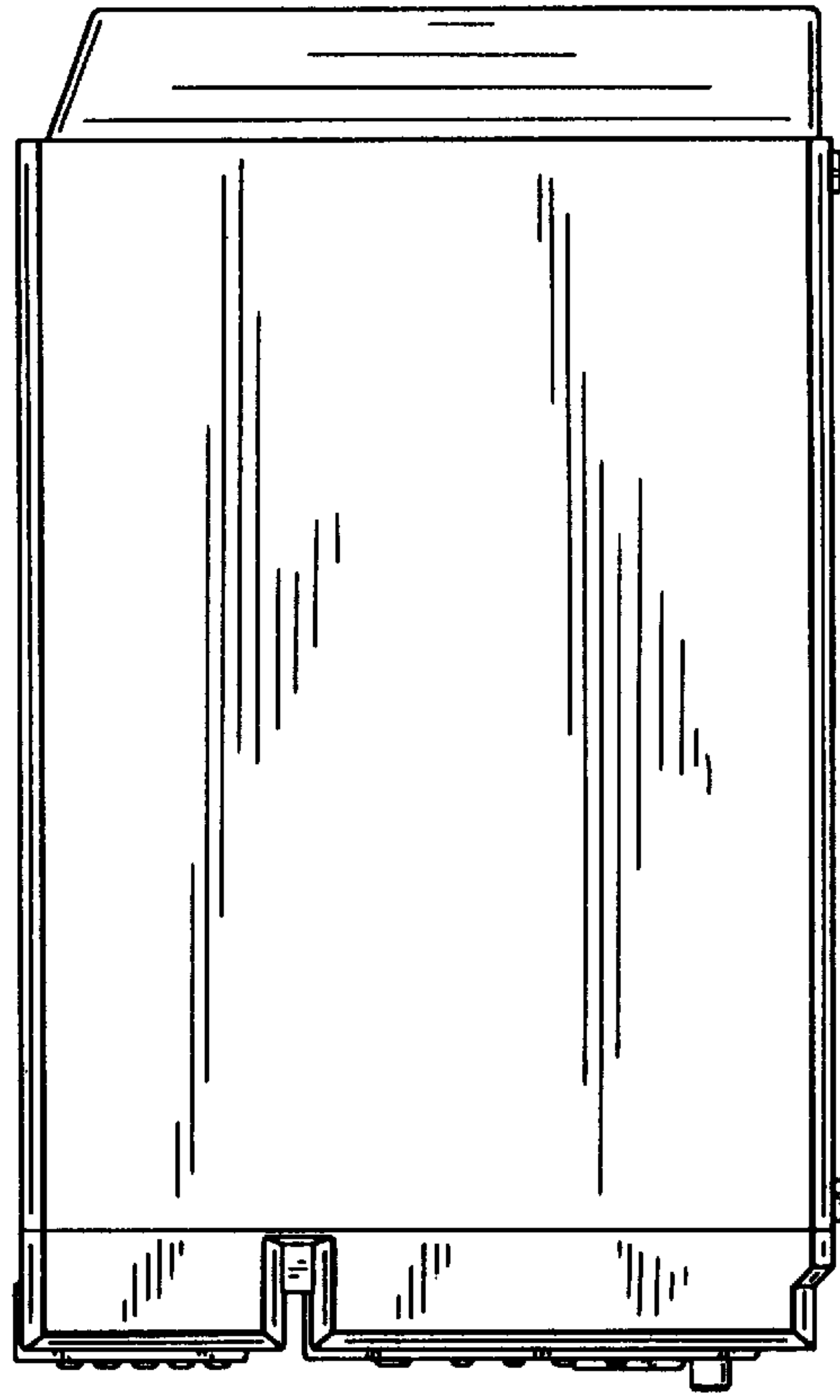


FIG. 4

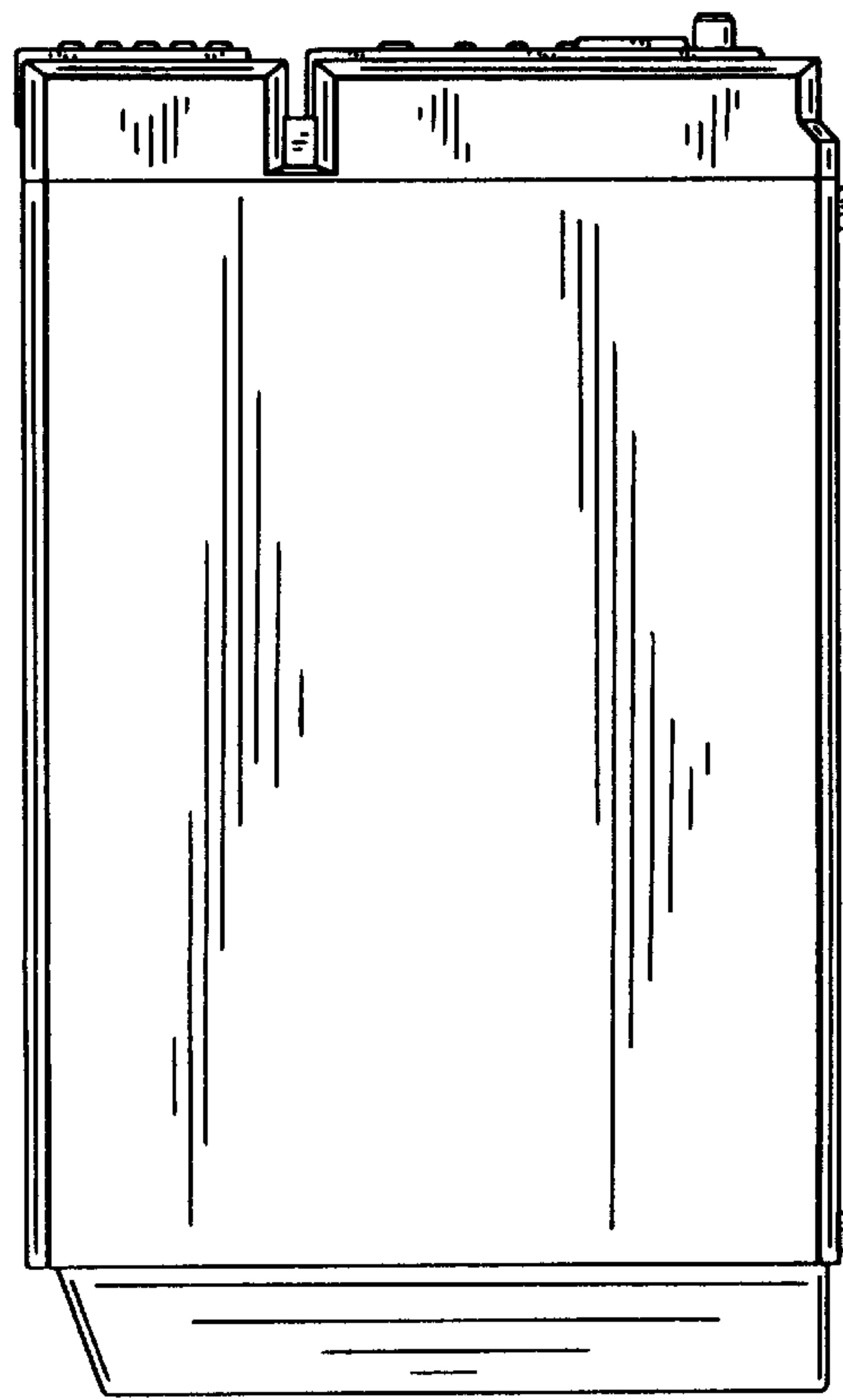




FIG. 7

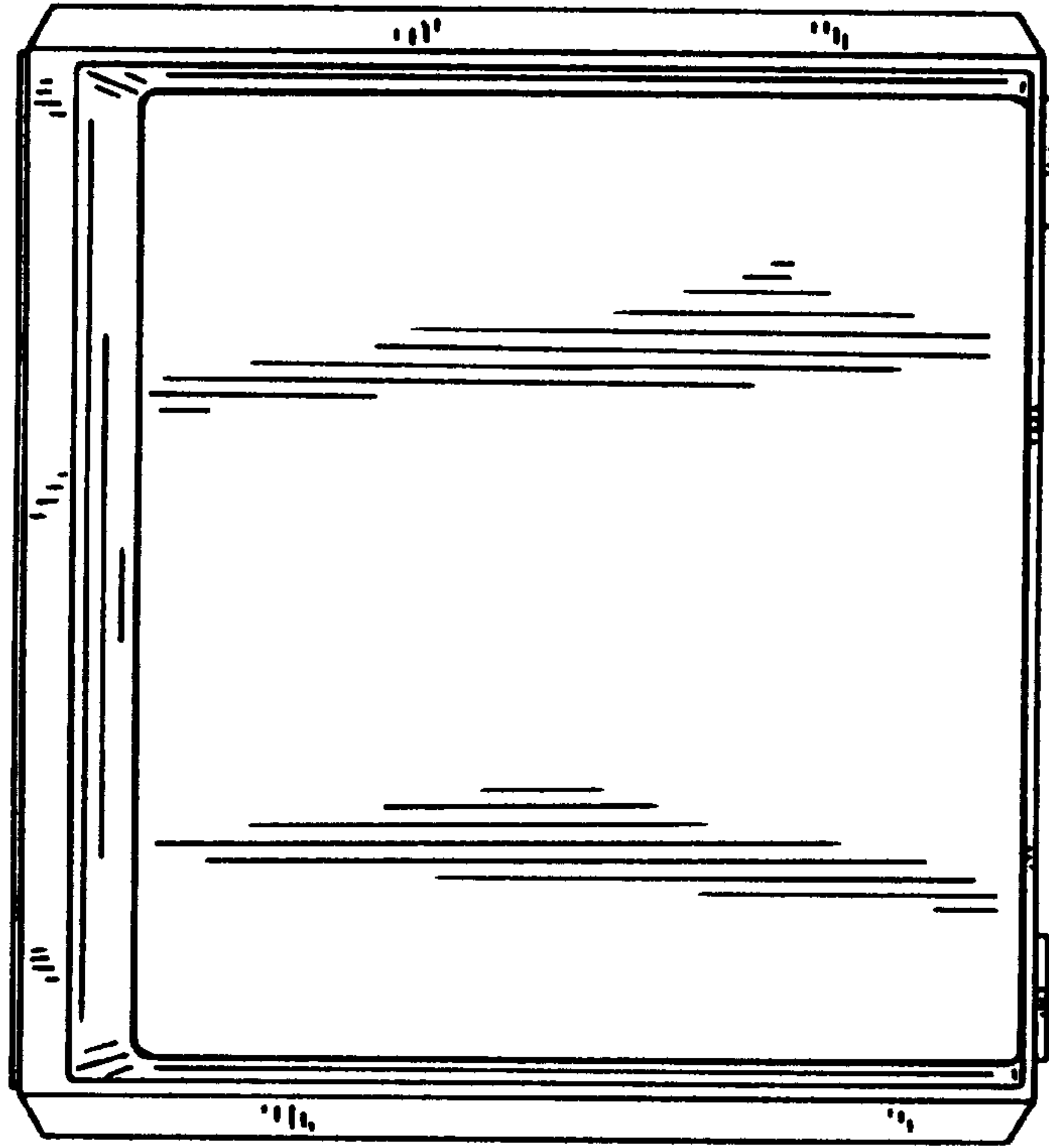


FIG. 6

