



US00D423008S

# United States Patent [19] Shintani

[11] **Patent Number: Des. 423,008**

[45] **Date of Patent: \*\* Apr. 18, 2000**

[54] **COMBINED DISC RECORDER AND PLAYER**

[75] Inventor: **Eiji Shintani**, Tokyo, Japan

[73] Assignee: **Sony Corporation**, Japan

[\*\*] Term: **14 Years**

[21] Appl. No.: **29/099,336**

[22] Filed: **Jan. 20, 1999**

[51] **LOC (6) Cl.** ..... **14-01**

[52] **U.S. Cl.** ..... **D14/168; D14/156**

[58] **Field of Search** ..... D14/107, 109,  
D14/135, 136, 156, 160-162, 188, 197-199;  
369/75.1, 75.2, 77.1, 77.2

[56] **References Cited**

**U.S. PATENT DOCUMENTS**

D. 269,615 7/1983 Nishiyama et al. .... D14/198  
D. 327,682 7/1992 Shimazu ..... D14/188 X  
D. 391,957 3/1998 Ito et al. .... D14/156

**OTHER PUBLICATIONS**

Catalog "88", p. 118, Sony (Mar. 1998).  
Catalog "86", pp. 120, 133, 135 and 149, Sony (Jul. 1997).

*Primary Examiner*—Nanda Bondade  
*Attorney, Agent, or Firm*—Rader, Fishman & Grauer

[57] **CLAIM**

The ornamental design for a combined disc recorder and player, as shown and described.

**DESCRIPTION**

FIG. 1 is a perspective view of a combined disc recorder and player showing my new design;  
FIG. 2 is a top plan view thereof;  
FIG. 3 is a left side elevational view thereof;  
FIG. 4 is a front elevational view thereof;  
FIG. 5 is a bottom plan view thereof;  
FIG. 6 is a right side elevational view thereof;  
FIG. 7 is a rear elevational view thereof; and,  
FIG. 8 is a perspective view thereof, wherein the transparent cover portion is in the open position.

**1 Claim, 4 Drawing Sheets**

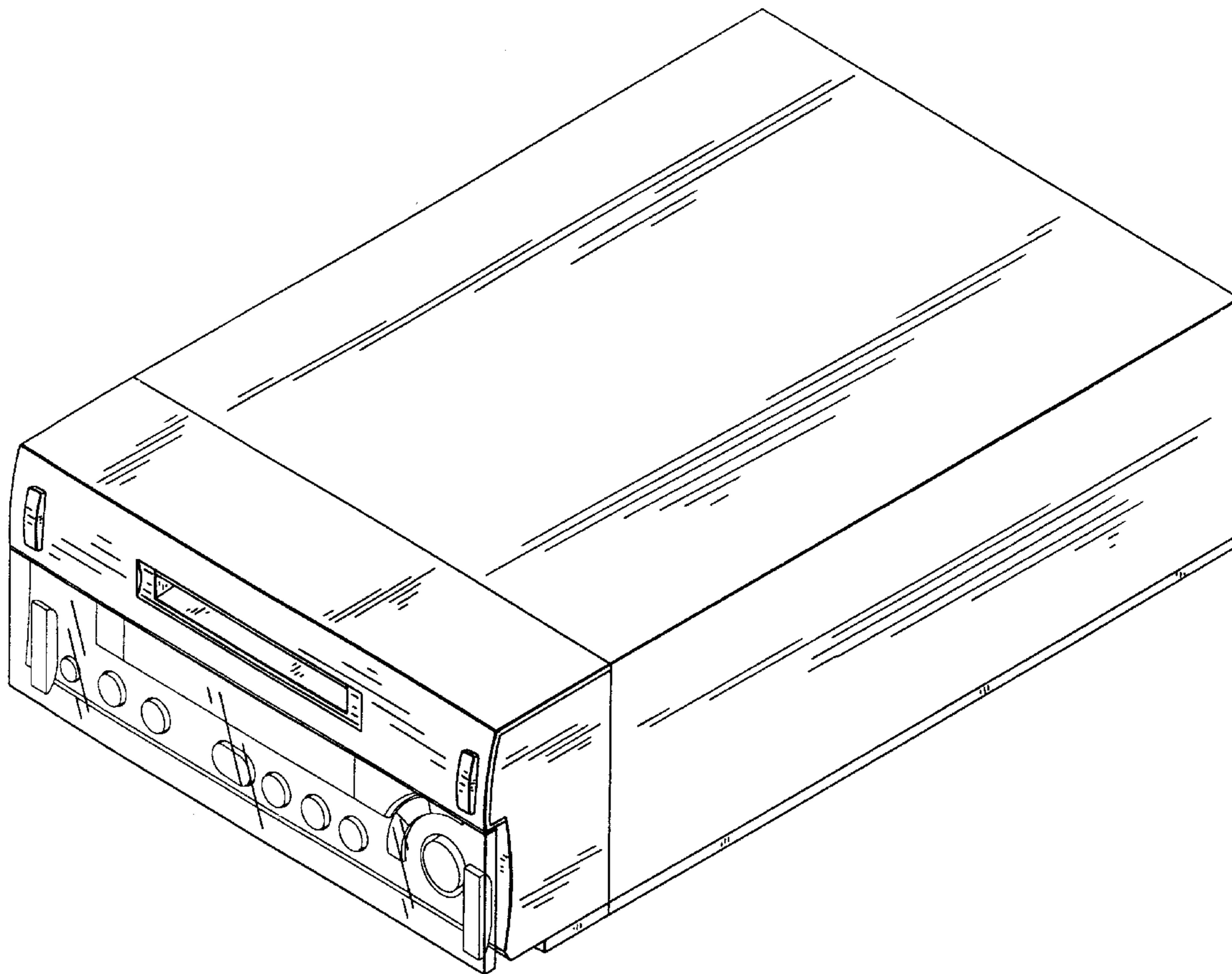


FIG. 1

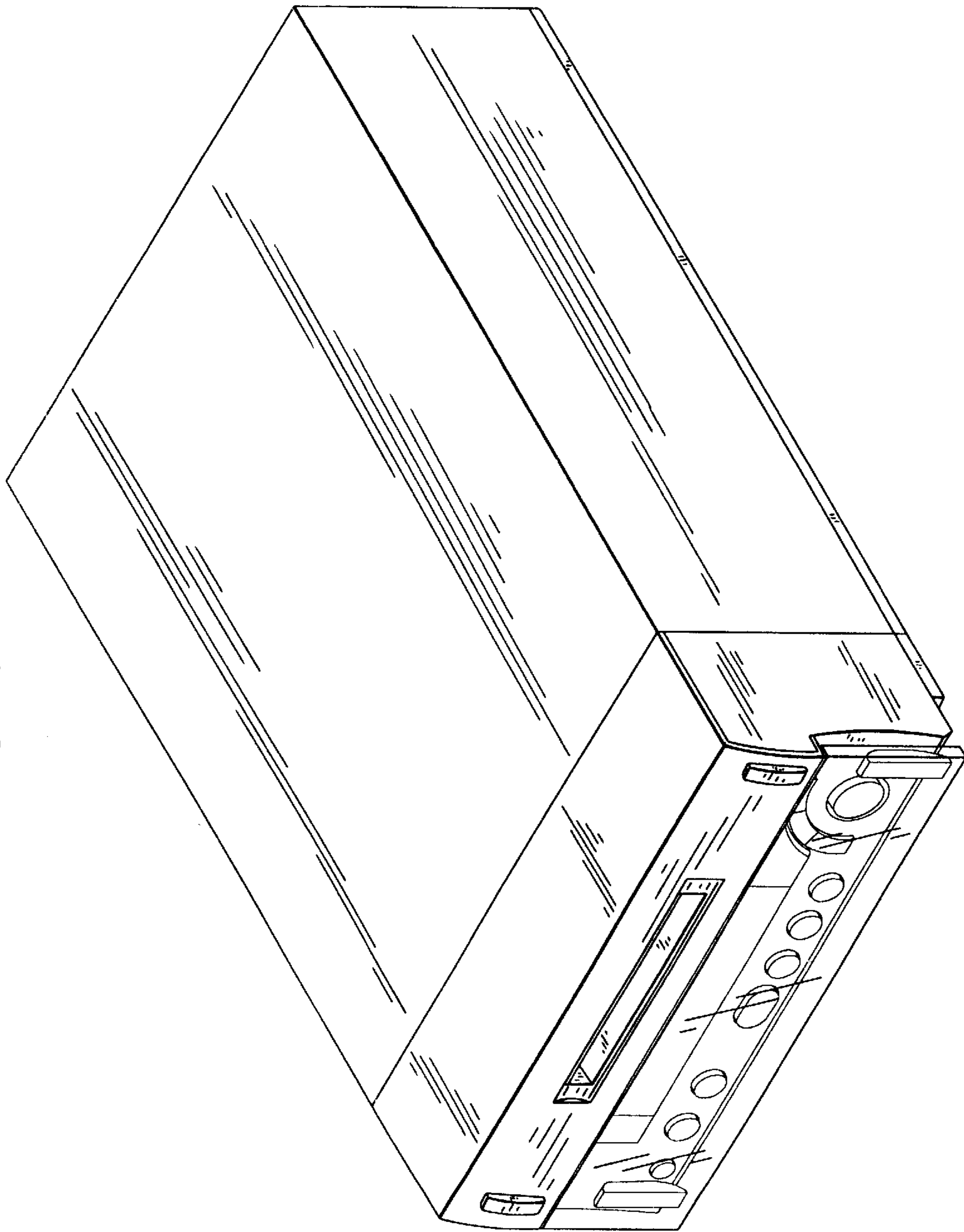


FIG. 2

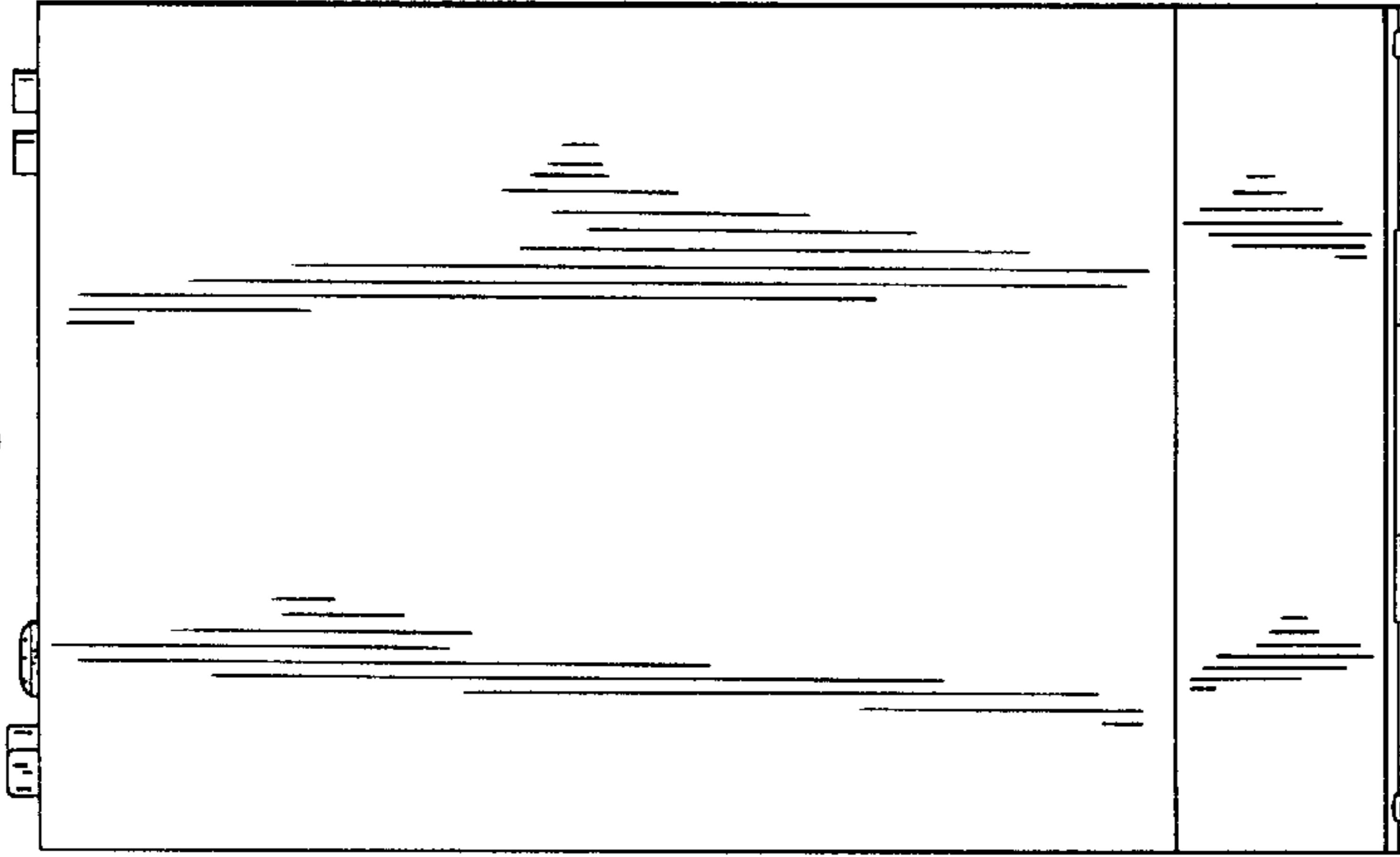


FIG. 4

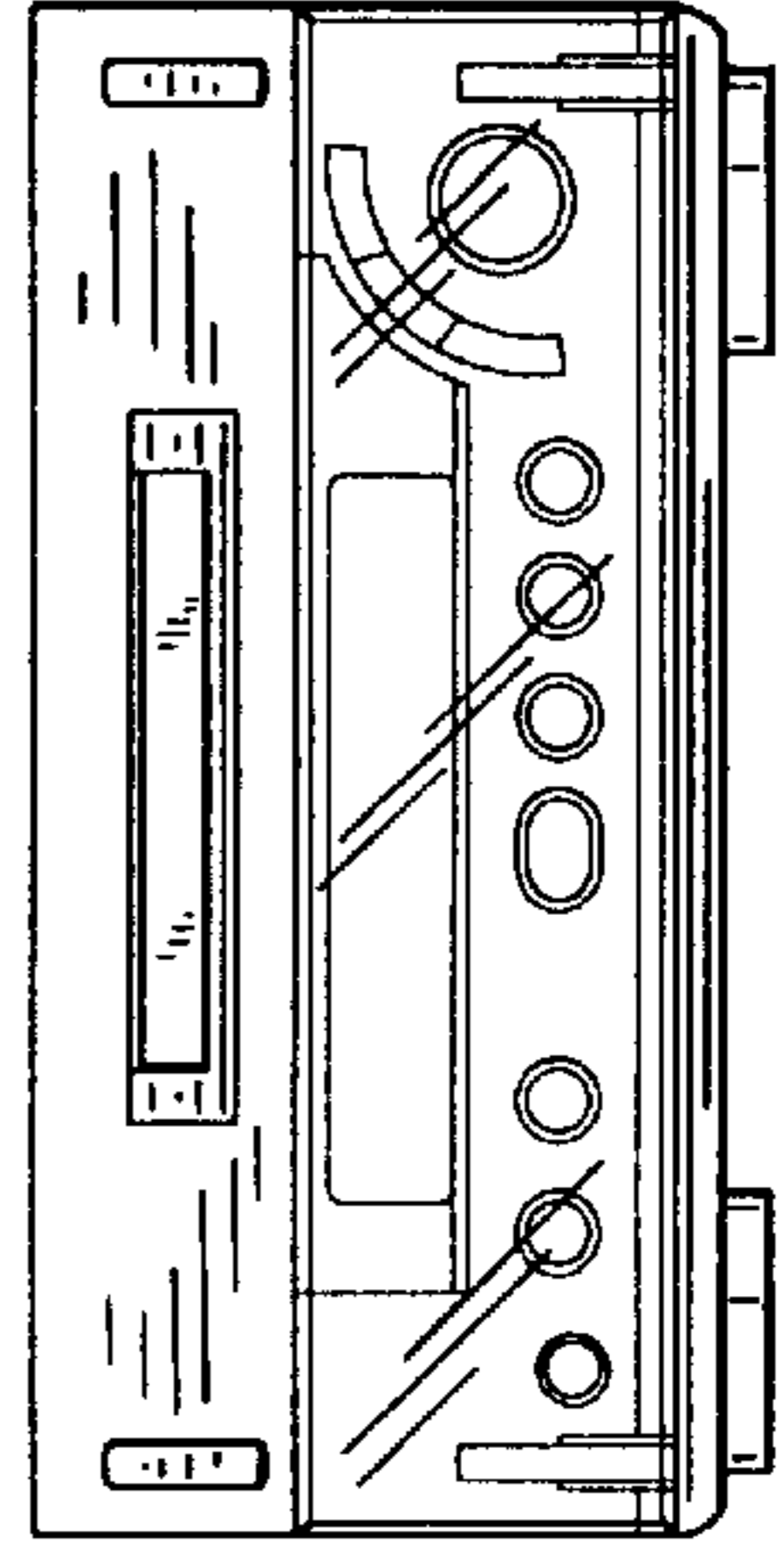


FIG. 3

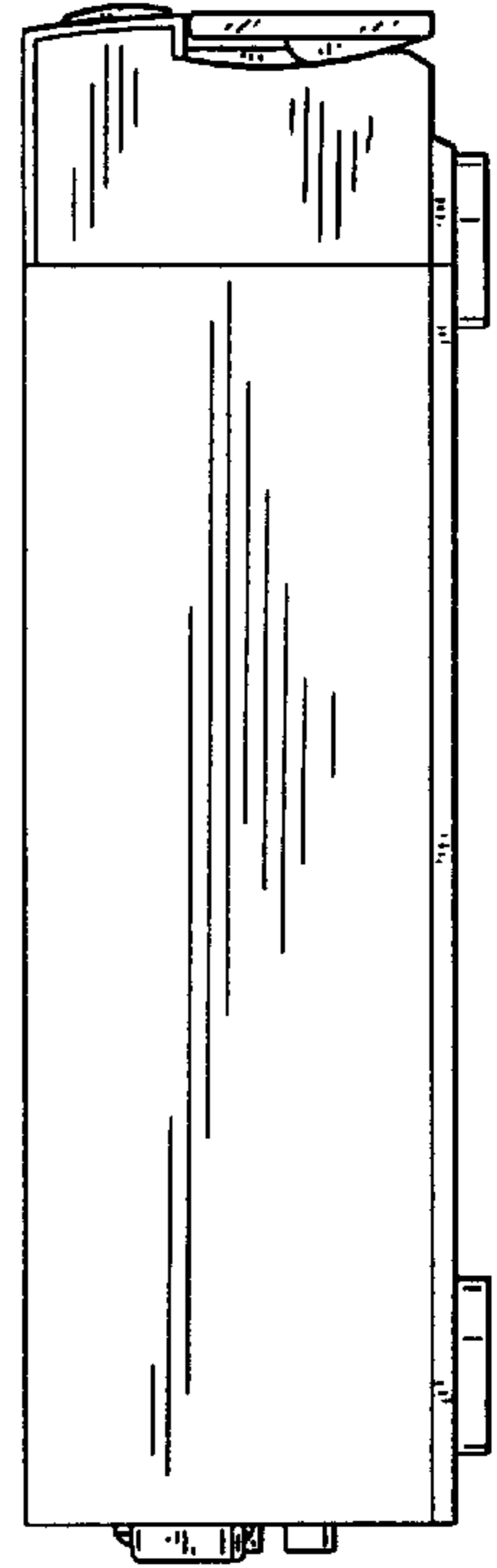


FIG. 7

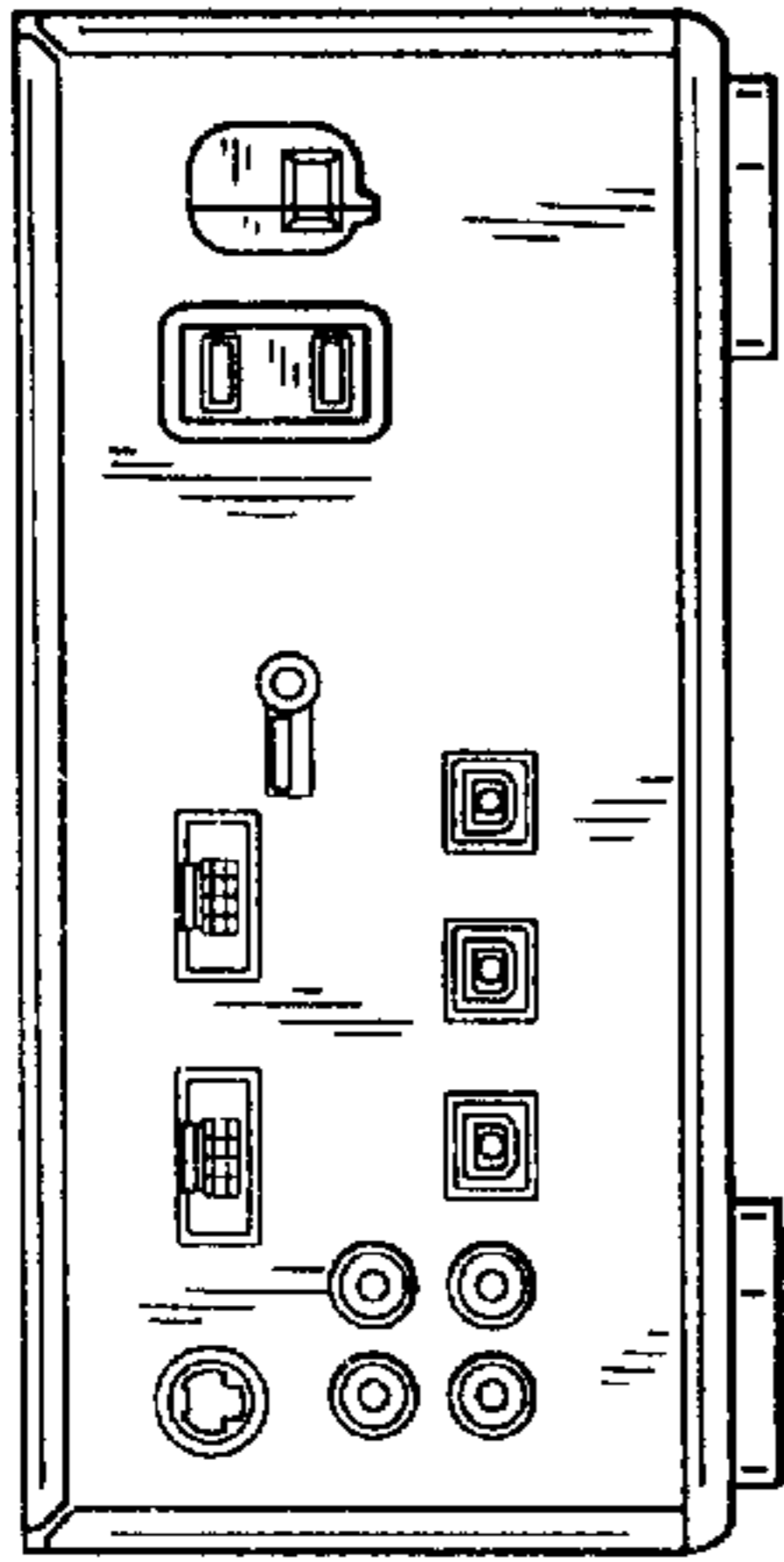


FIG. 5

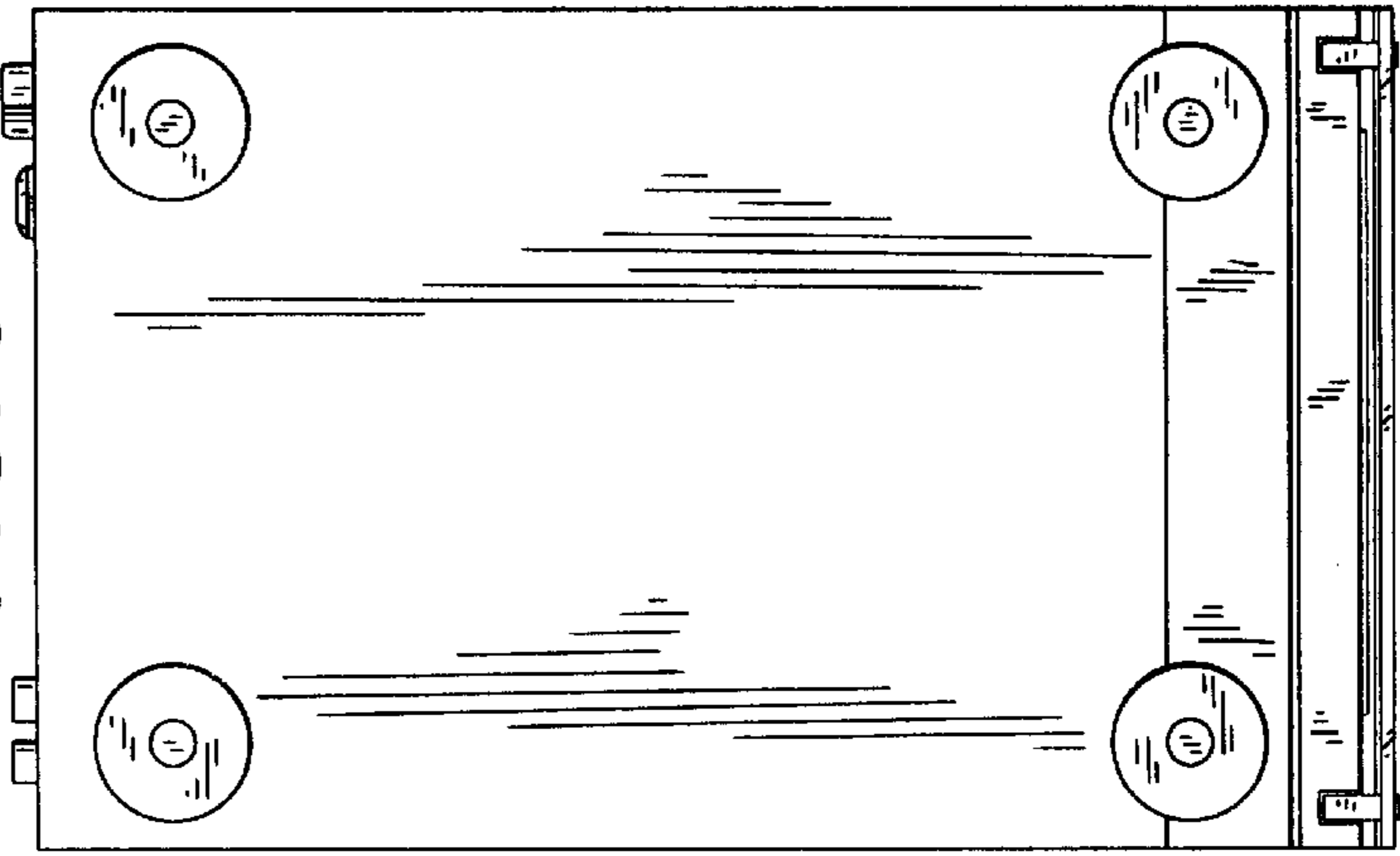


FIG. 6

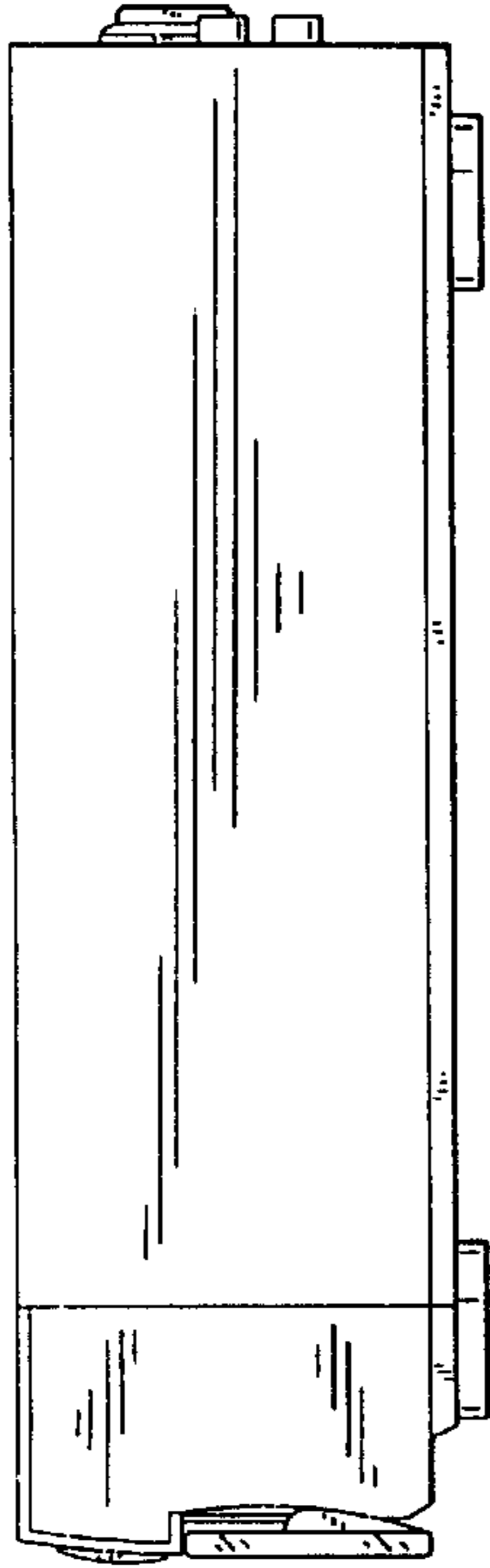


FIG. 8

