



US00D423006S

United States Patent [19]
Matsuoka

[11] **Patent Number: Des. 423,006**

[45] **Date of Patent: ** Apr. 18, 2000**

[54] **TUNER WITH AMPLIFIER**

[75] Inventor: **Fumiya Matsuoka**, Tokyo, Japan

[73] Assignee: **Sony Corporation**, Tokyo, Japan

[**] Term: **14 Years**

[21] Appl. No.: **29/088,689**

[22] Filed: **May 29, 1998**

[51] **LOC (6) Cl.** **14-01**

[52] **U.S. Cl.** **D14/168; D14/188**

[58] **Field of Search** D14/124, 156,
D14/157, 160, 162, 164, 168, 188, 193-198,
265; 455/344, 347, 350, 351

[56] **References Cited**

U.S. PATENT DOCUMENTS

D. 234,056	1/1975	Taguchi et al.	D14/198
D. 327,684	7/1992	Tatsuka	D14/168
D. 327,688	7/1992	Ito et al.	D14/188
D. 375,956	11/1996	Shintani	D14/198 X

Primary Examiner—Nanda Bondade
Attorney, Agent, or Firm—Foley & Lardner

[57] **CLAIM**

The ornamental design for a tuner with amplifier, as shown and described.

DESCRIPTION

FIG. 1 is a perspective view of a tuner with amplifier showing my new design;

FIG. 2 is a top plan view thereof;

FIG. 3 is a left side elevational view thereof;

FIG. 4 is a front elevational view thereof;

FIG. 5 is a bottom plan view thereof;

FIG. 6 is a right side elevational view thereof; and

FIG. 7 is a rear elevational view thereof; and,

FIG. 8 is a perspective view thereof, wherein the lid portion is in the open position.

The remaining views of the inside of the tuner with amplifier which are not visible in FIG. 8 form no part of the claimed design.

1 Claim, 5 Drawing Sheets

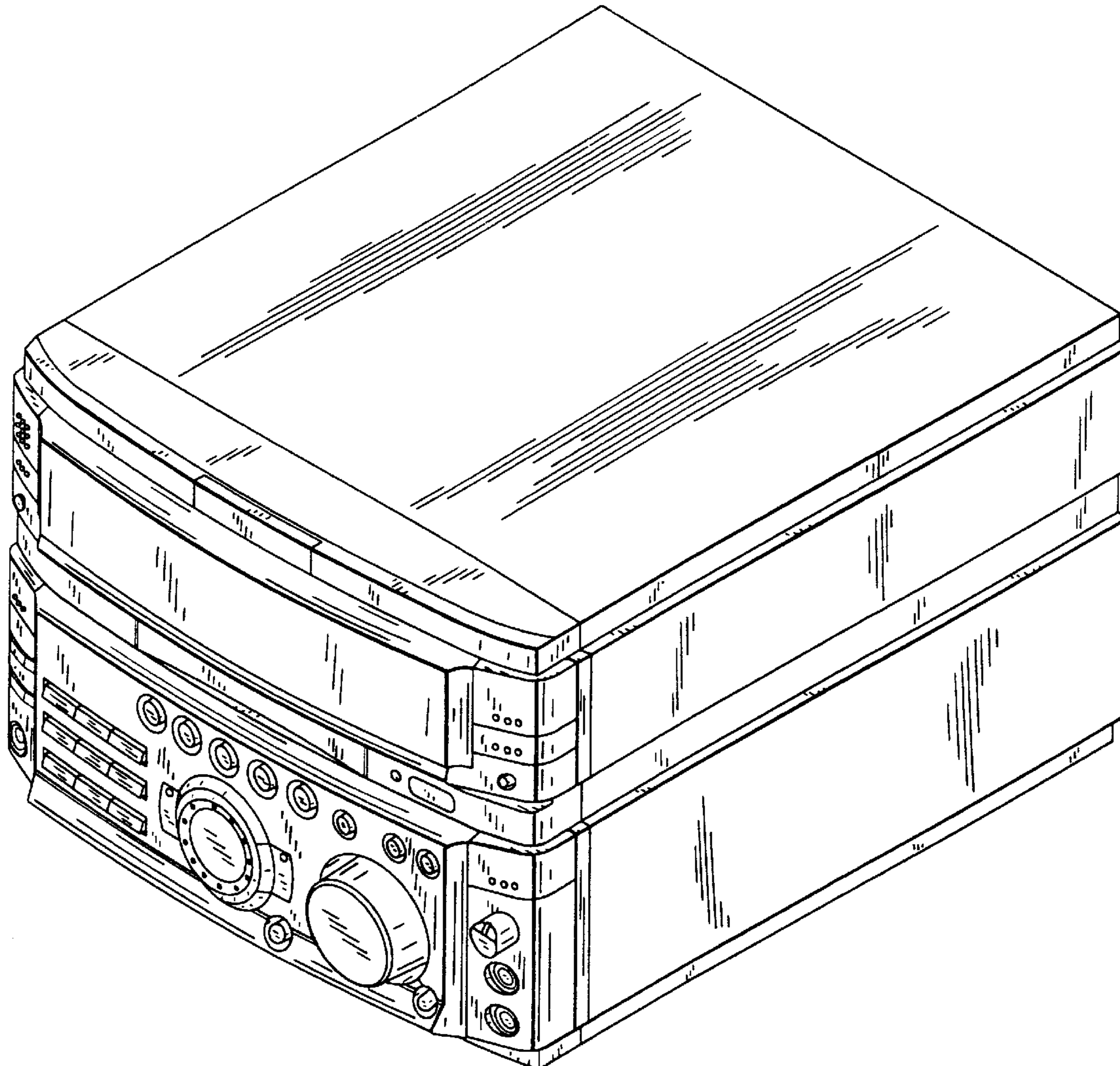


FIG. 1

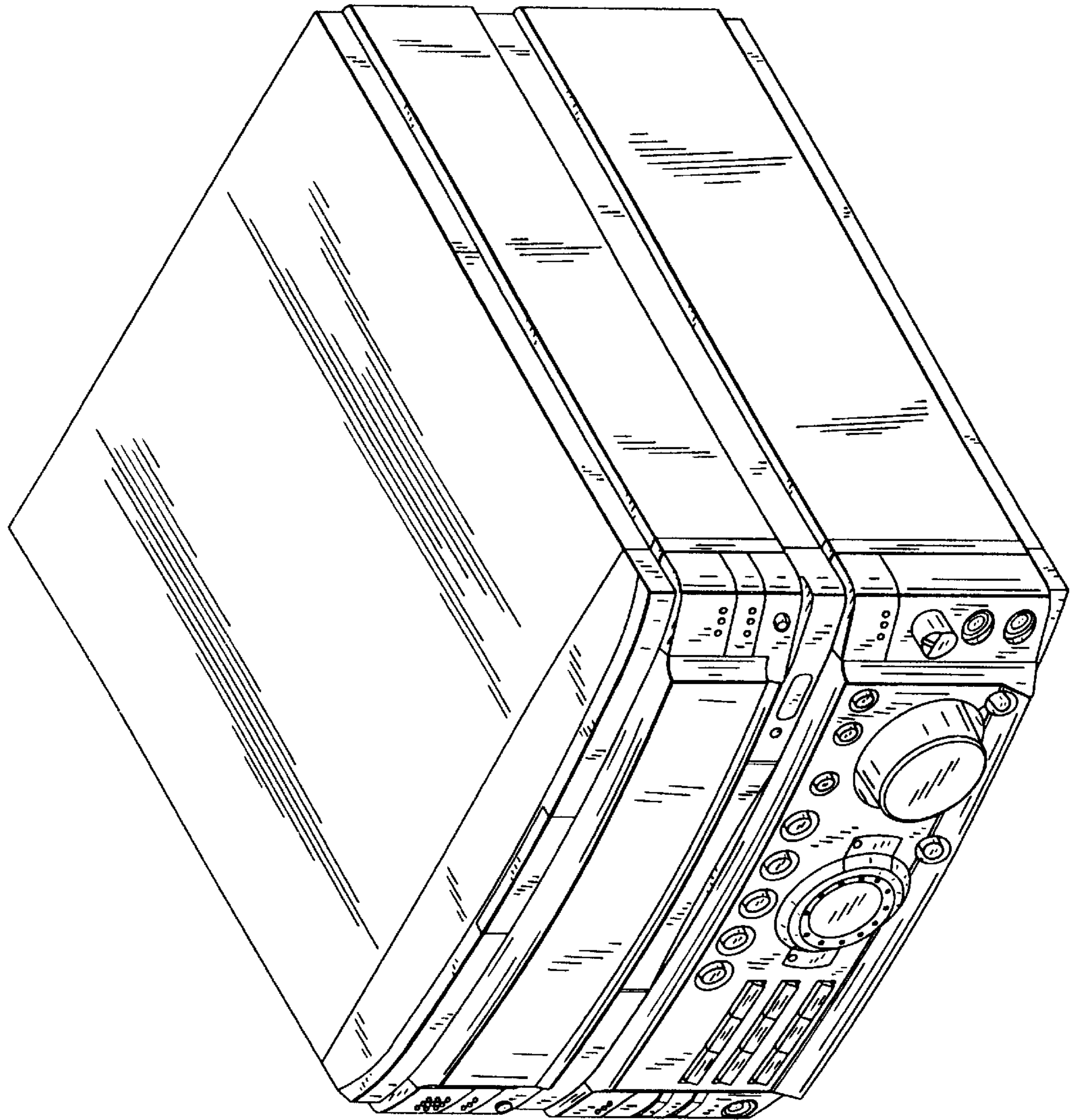


FIG. 5

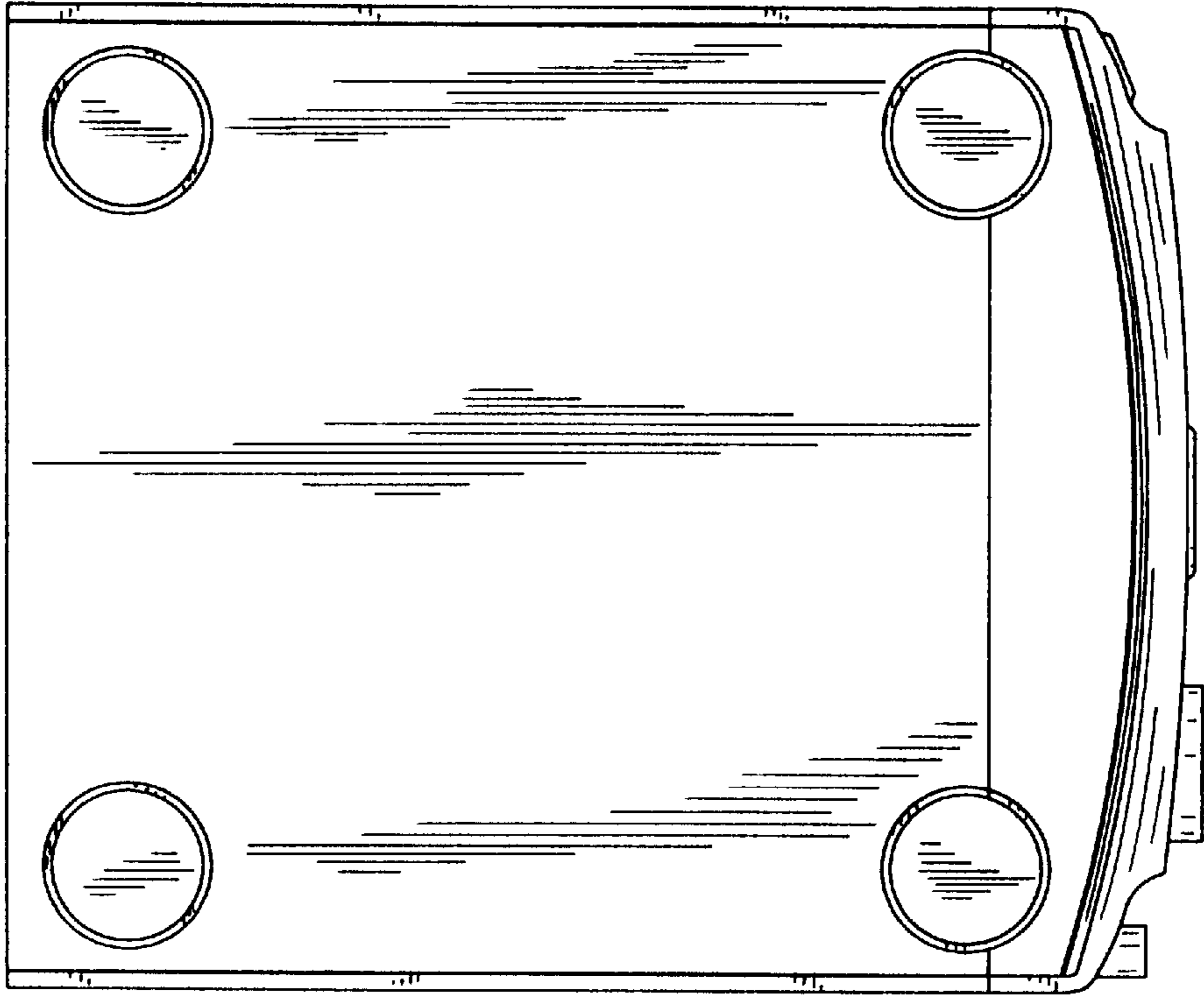


FIG. 2

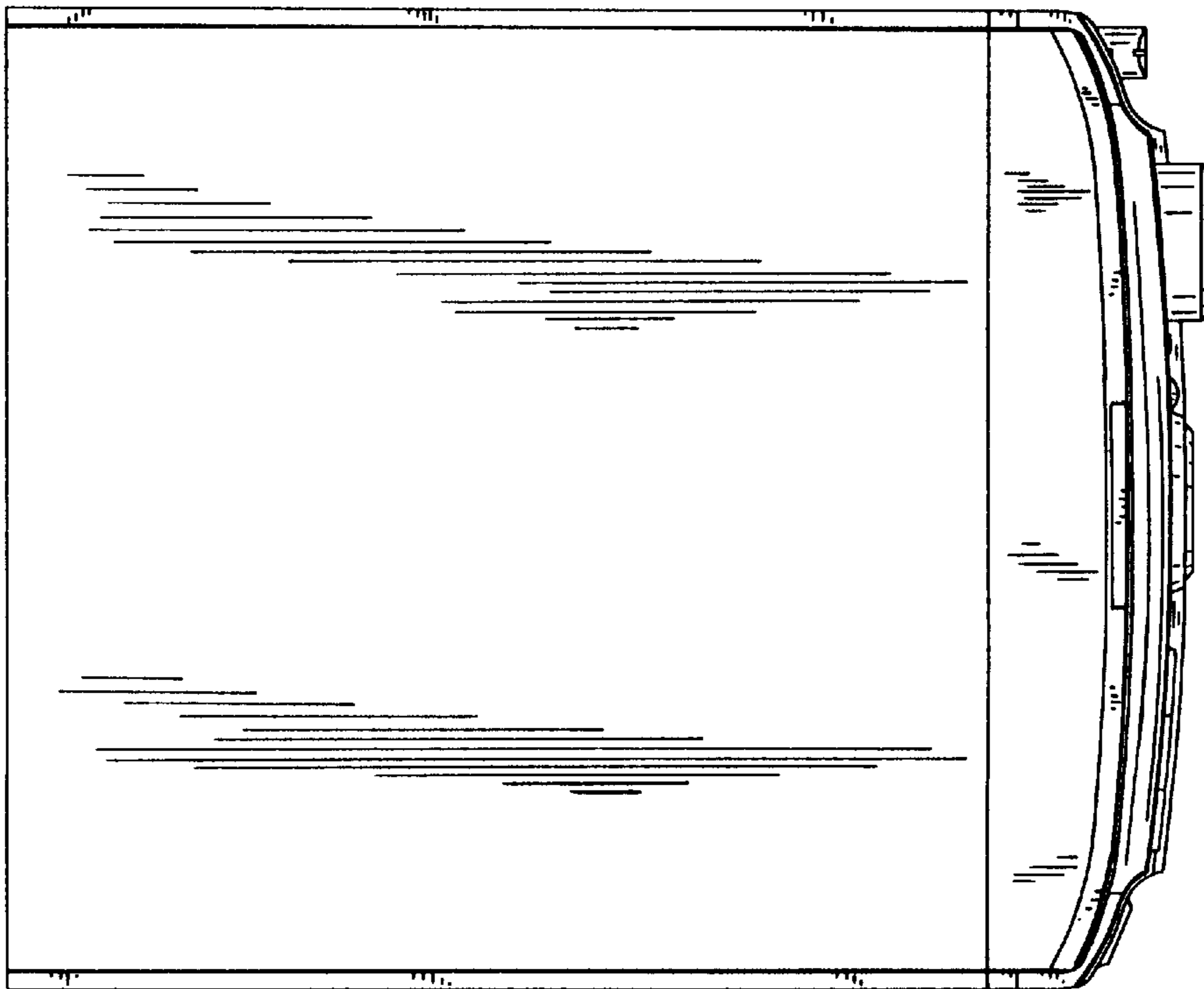


FIG. 6

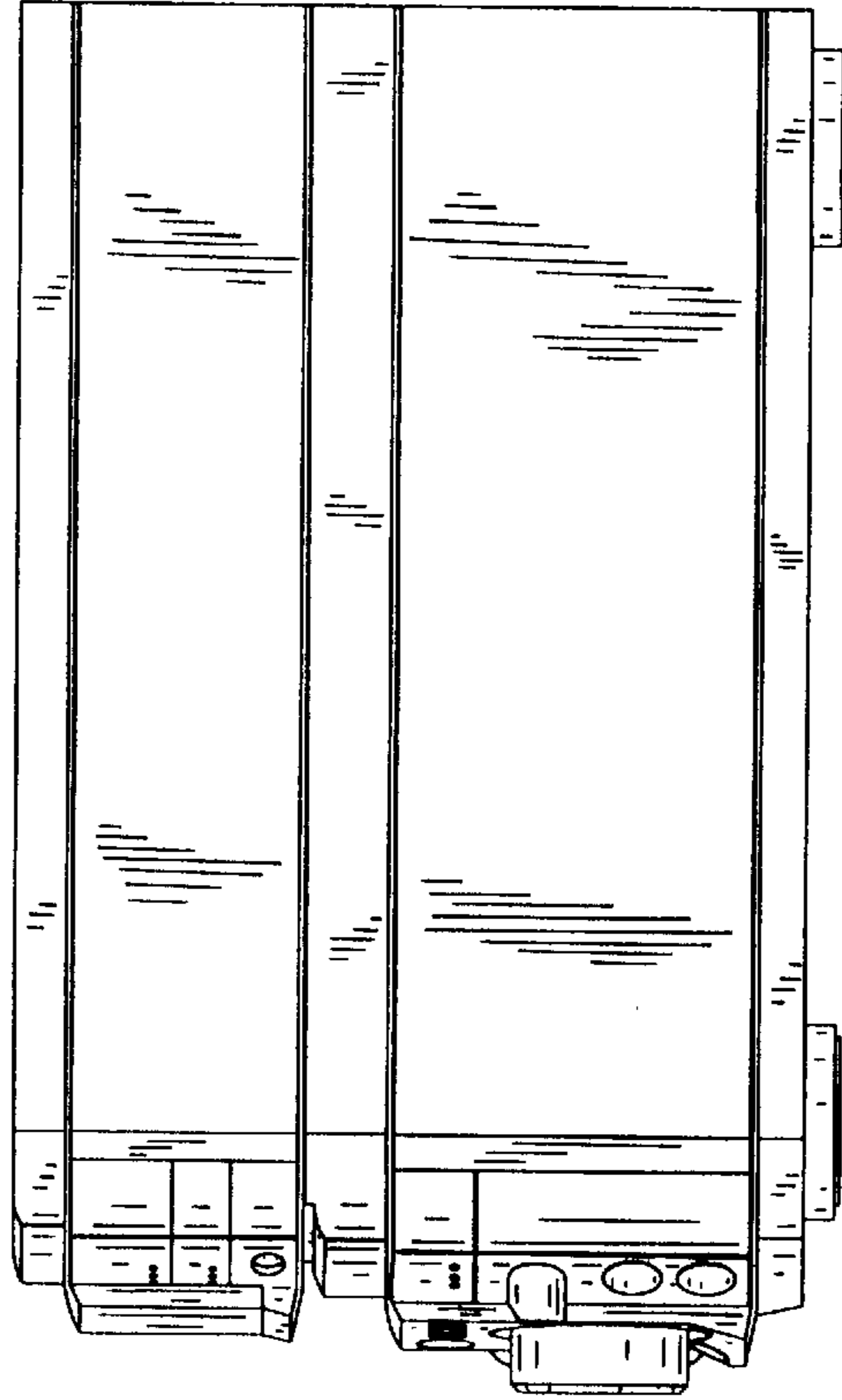


FIG. 3

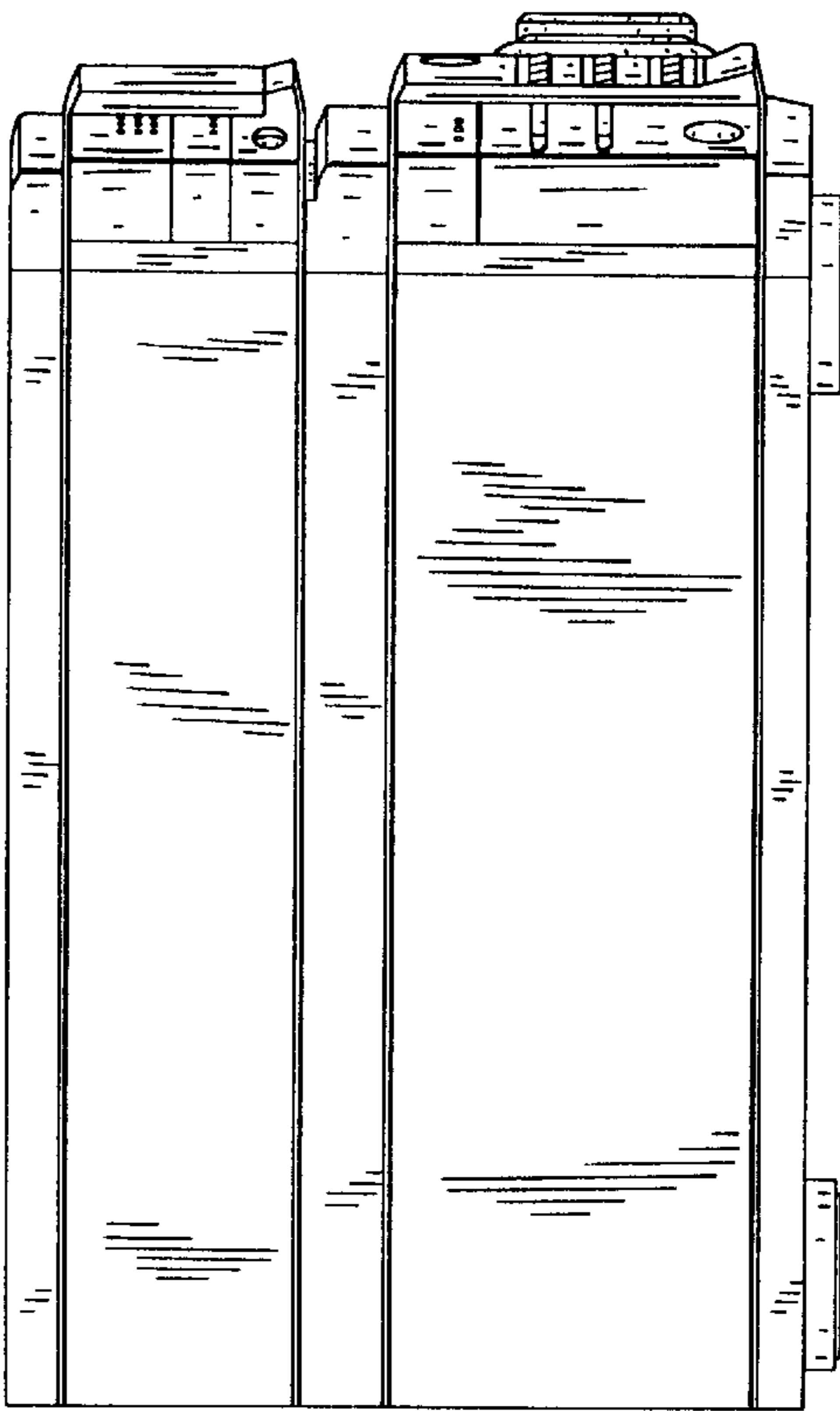


FIG. 7

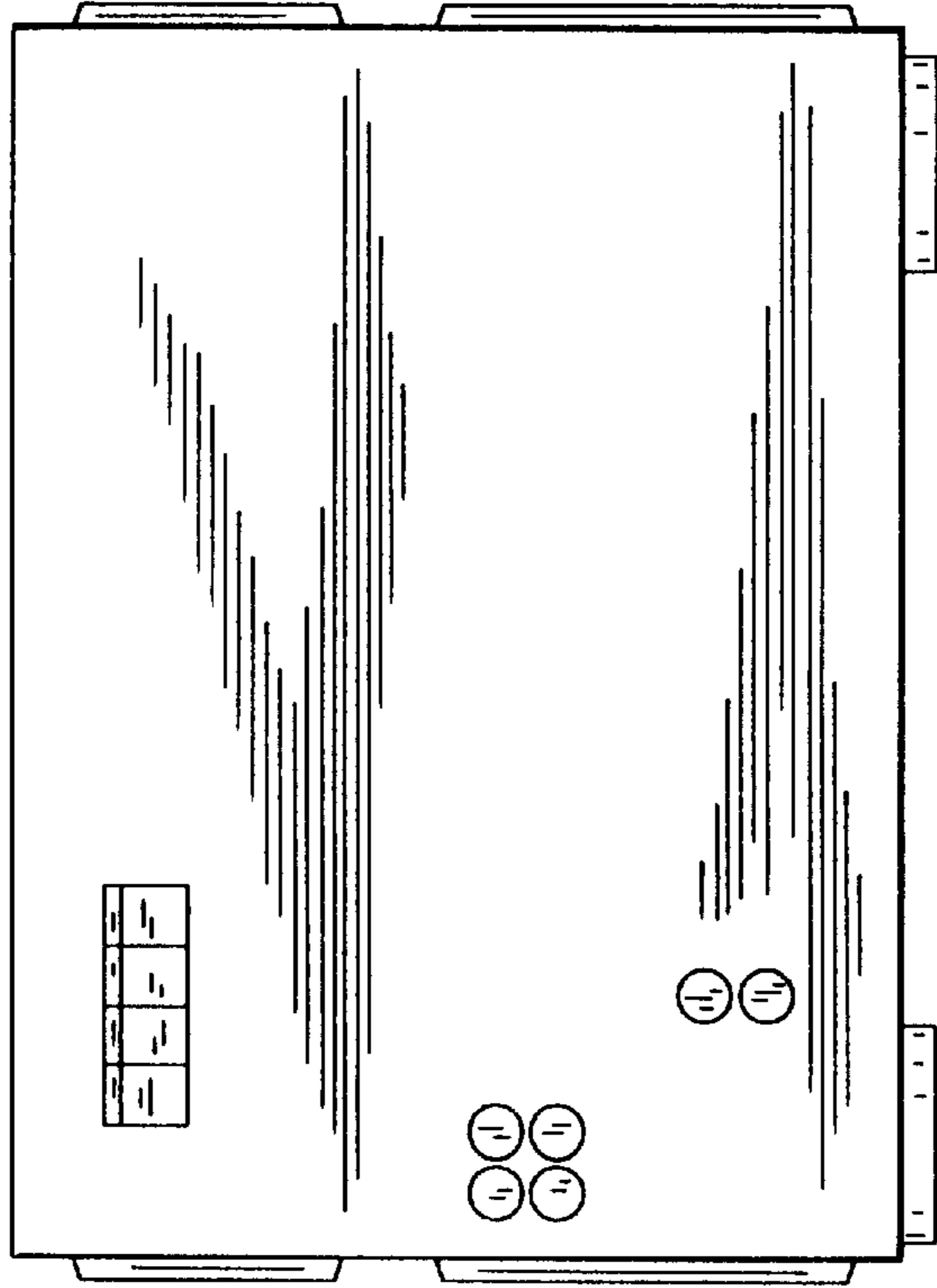


FIG. 4

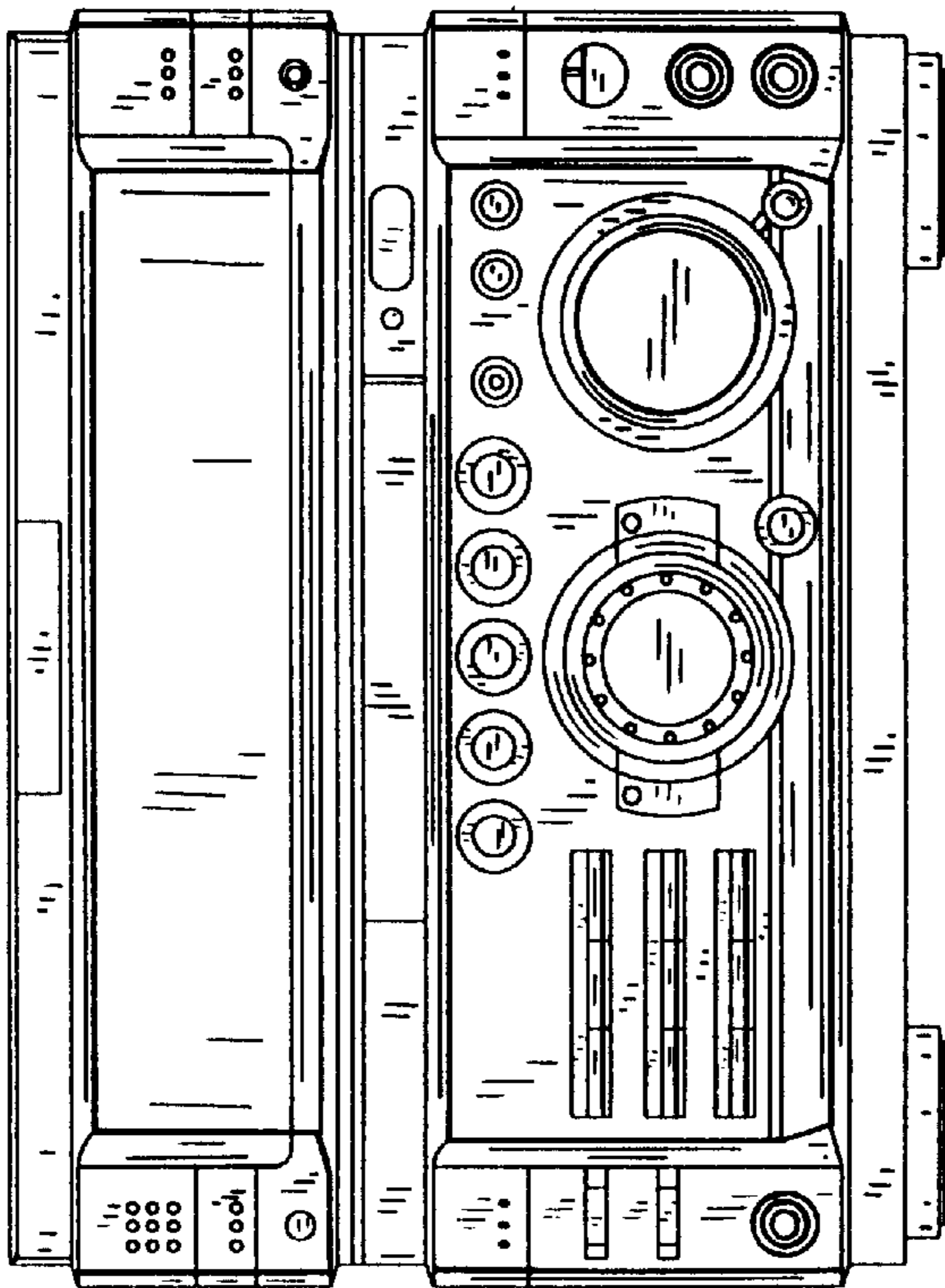


FIG. 8

