



US00D423004S

# United States Patent [19] Zeitman

[11] Patent Number: Des. 423,004

[45] Date of Patent: \*\* Apr. 18, 2000

[54] COMBINED RADIO AND CASSETTE  
PLAYER

D. 350,959 9/1994 Sumikawa ..... D14/163  
D. 351,168 10/1994 Sumikawa ..... D14/163 X  
5,635,908 6/1997 Soper ..... 455/344 X

[75] Inventor: Josh Zeitman, Brooklyn, N.Y.

Primary Examiner—Nanda Bondade  
Attorney, Agent, or Firm—Burns, Doane, Swecker &  
Mathis, L.L.P.

[73] Assignee: Lenox Electronics Corp., Brooklyn,  
N.Y.

[\*\*] Term: 14 Years

### [57] CLAIM

[21] Appl. No.: 29/102,996

The ornamental design for a combined radio and cassette  
player, as shown and described.

[22] Filed: Apr. 6, 1999

### DESCRIPTION

[51] LOC (6) Cl. .... 14-03

[52] U.S. Cl. .... D14/163

[58] Field of Search ..... D14/160-165,  
D14/167-168, 188, 192-198; 455/344,  
347-351

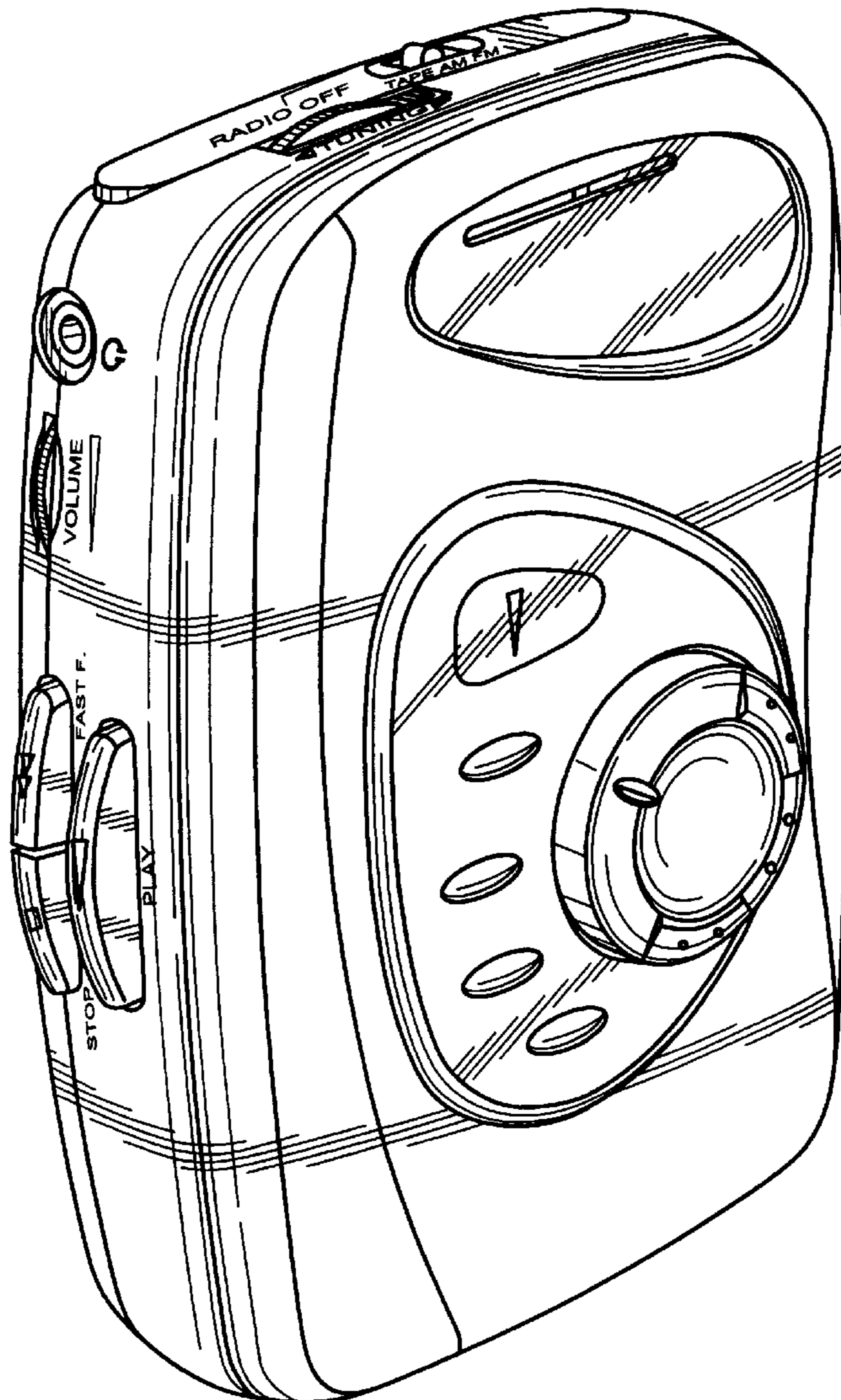
FIG. 1 is a front view of combined radio and cassette player  
showing my design;  
FIG. 2 is a rear view thereof;  
FIG. 3 is a left side view thereof;  
FIG. 4 is a right side view thereof;  
FIG. 5 is a top plan view thereof;  
FIG. 6 is a bottom view thereof; and,  
FIG. 7 is a perspective view thereof.

### [56] References Cited

#### U.S. PATENT DOCUMENTS

D. 350,751 9/1994 Matzuzaka ..... D14/165

1 Claim, 5 Drawing Sheets



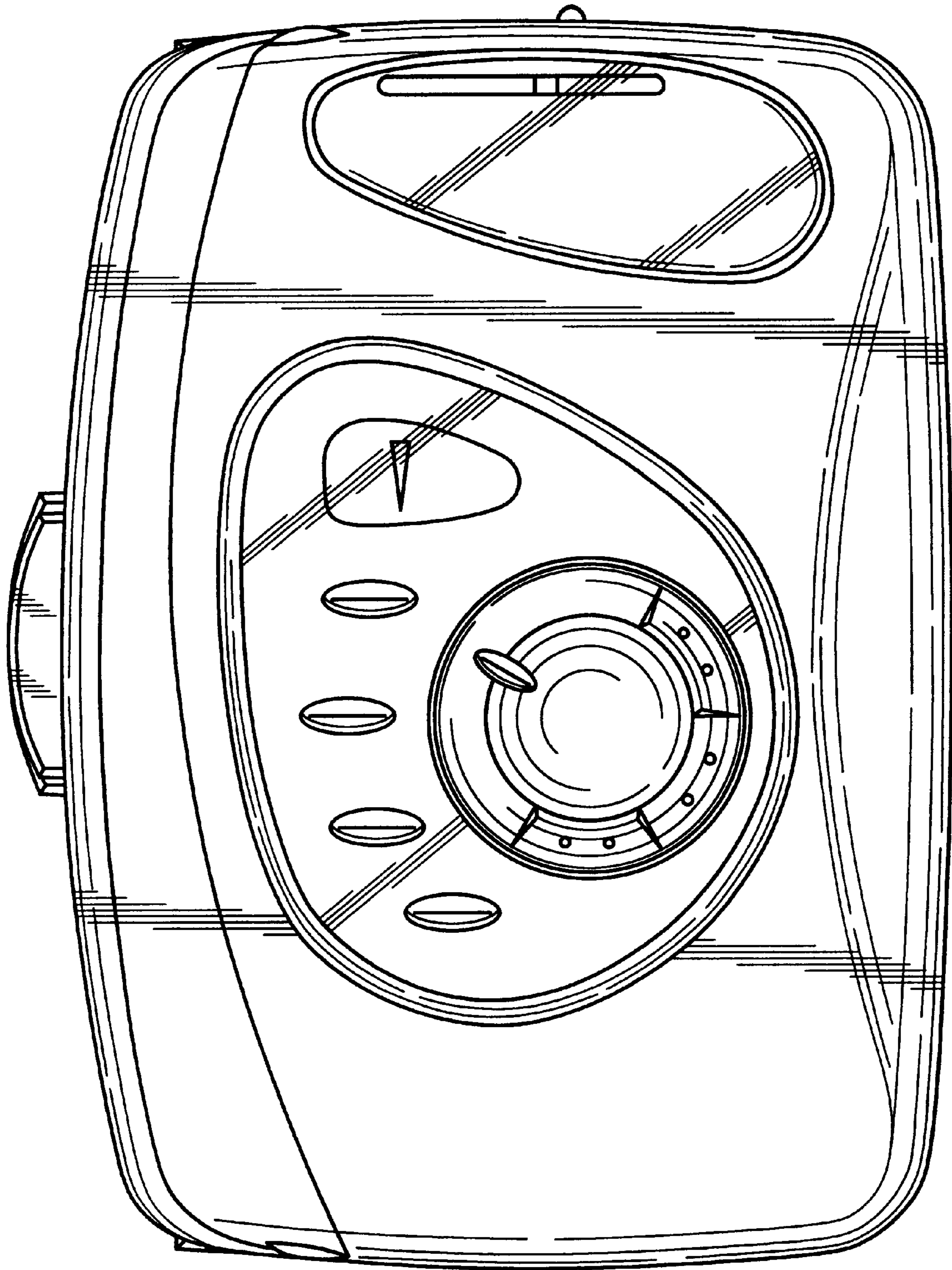


FIG. 1

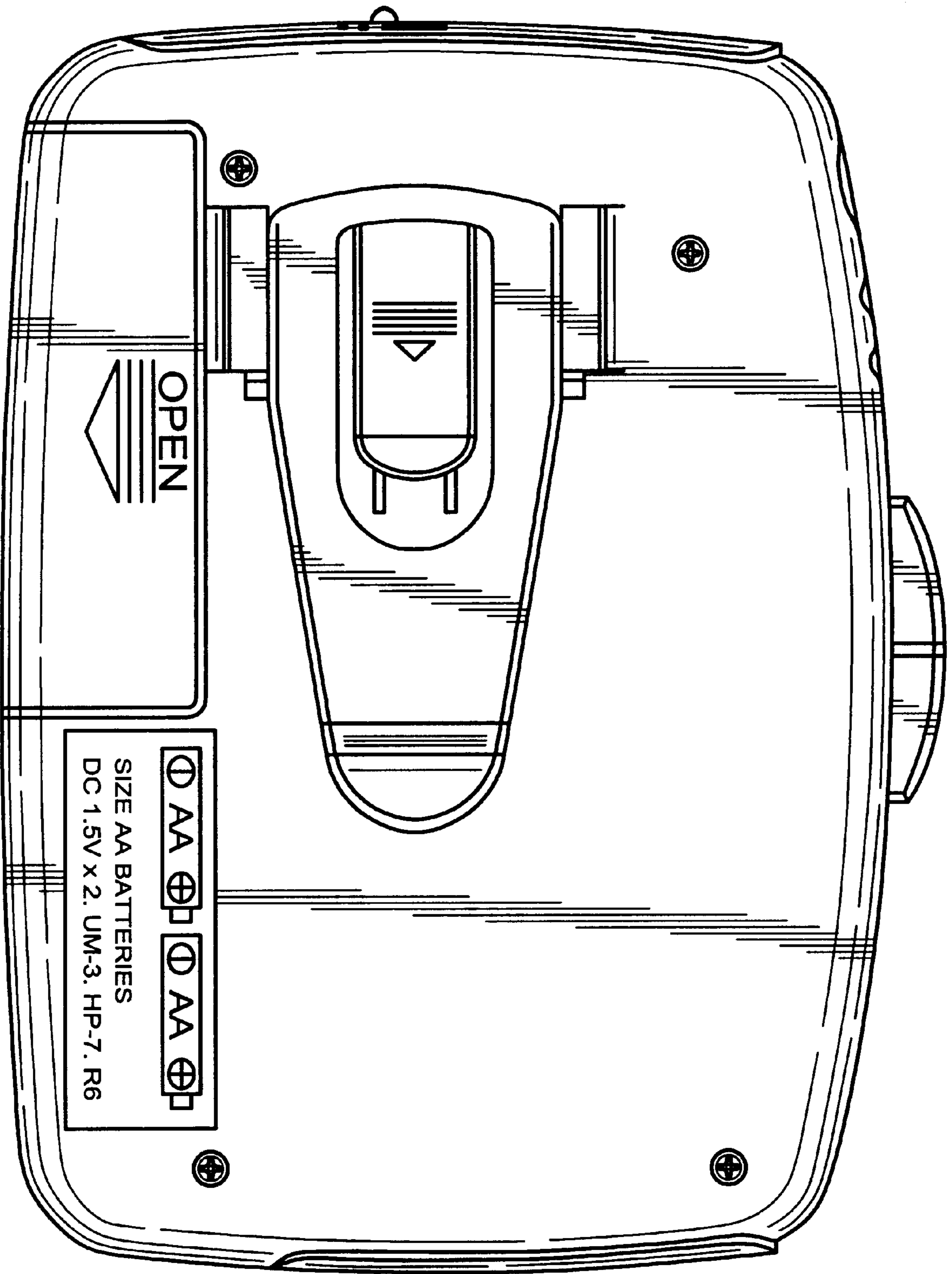


FIG. 2

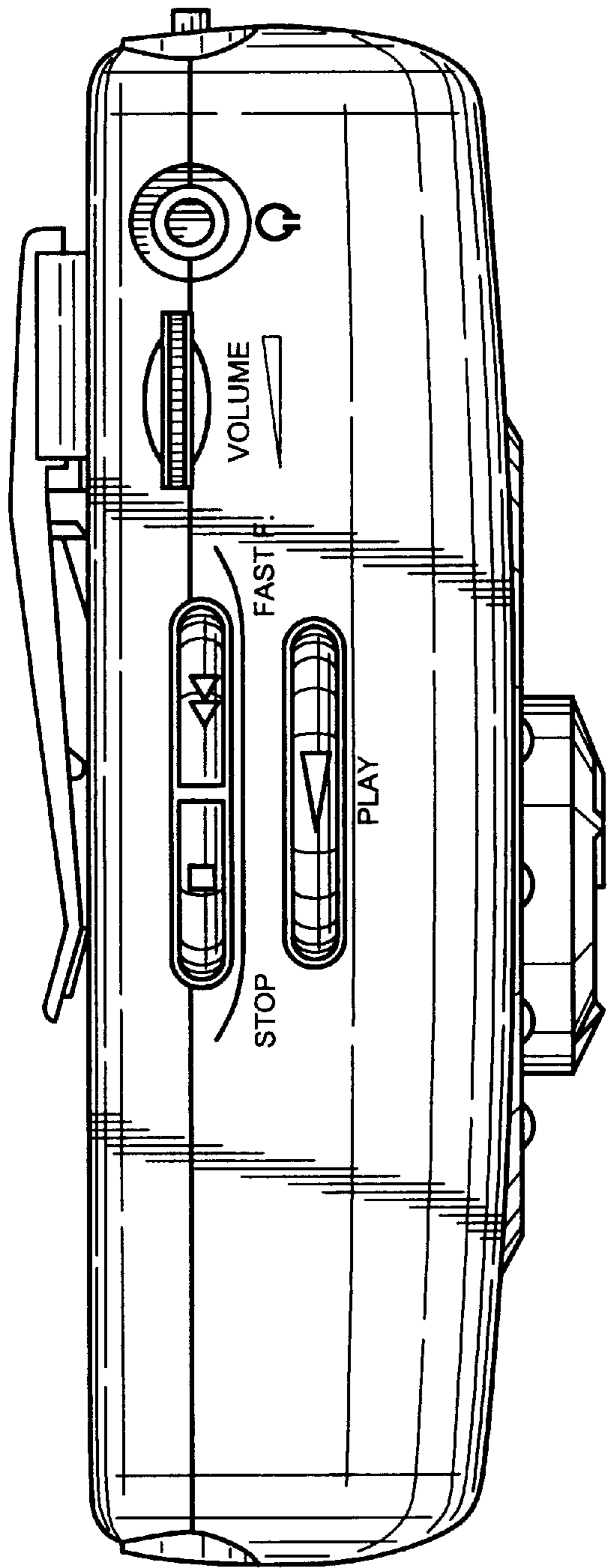


FIG. 3

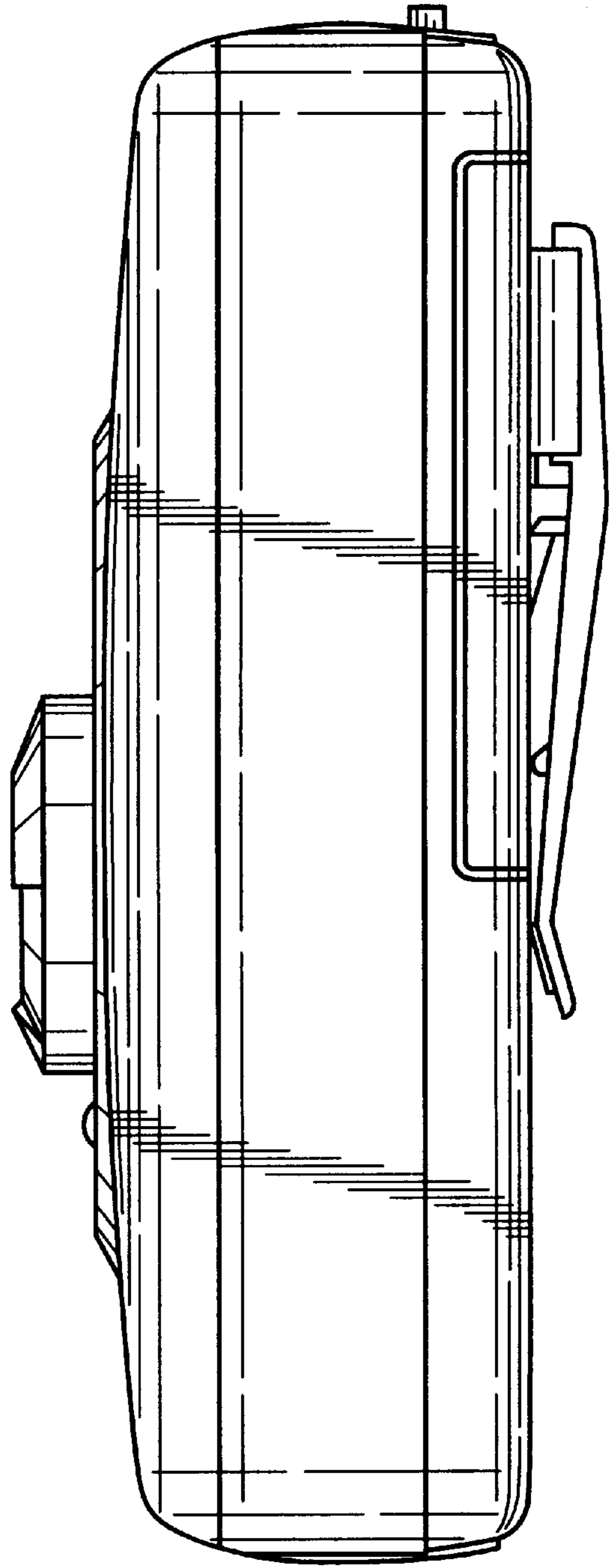


FIG. 4



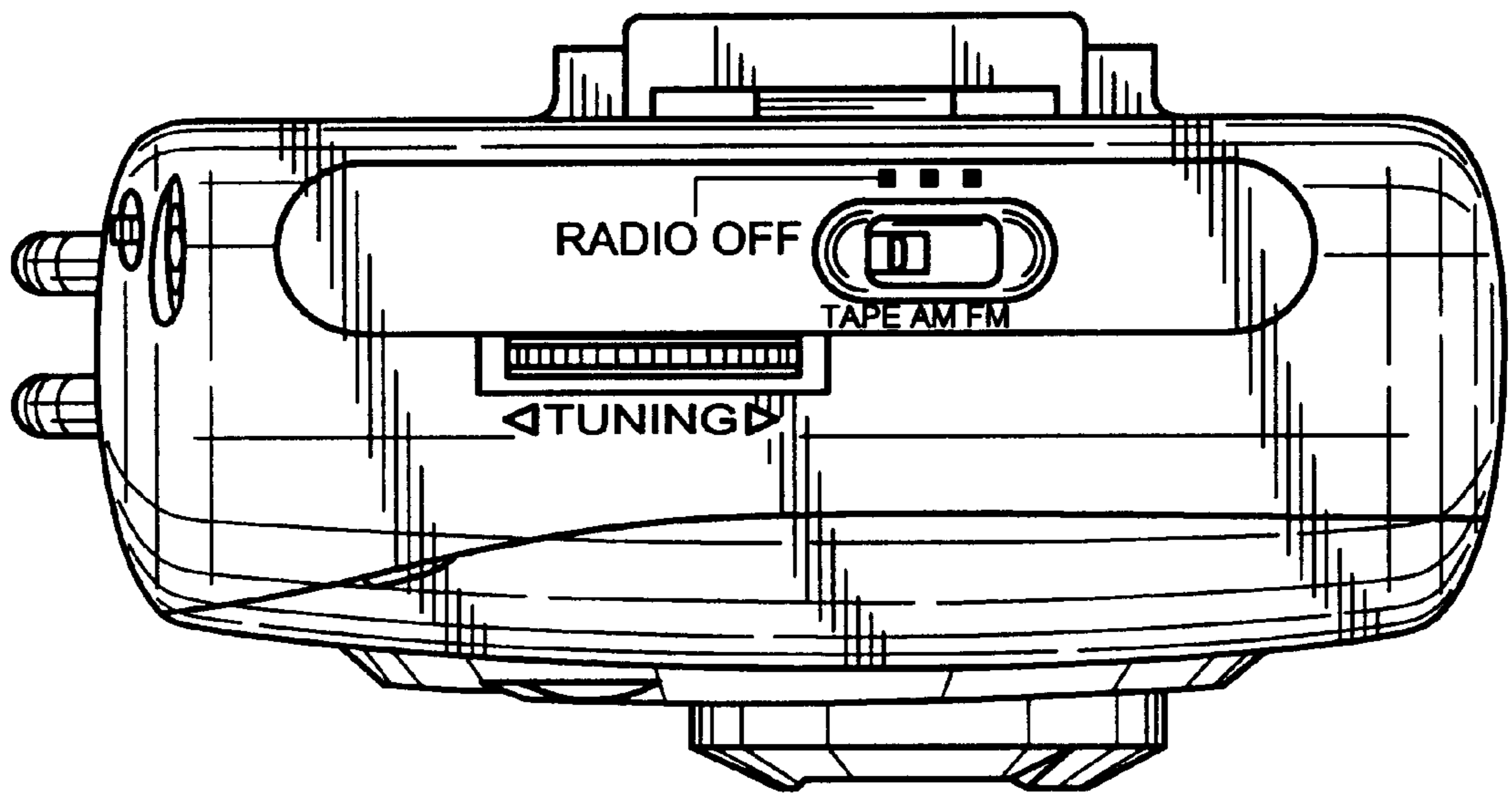


FIG. 5

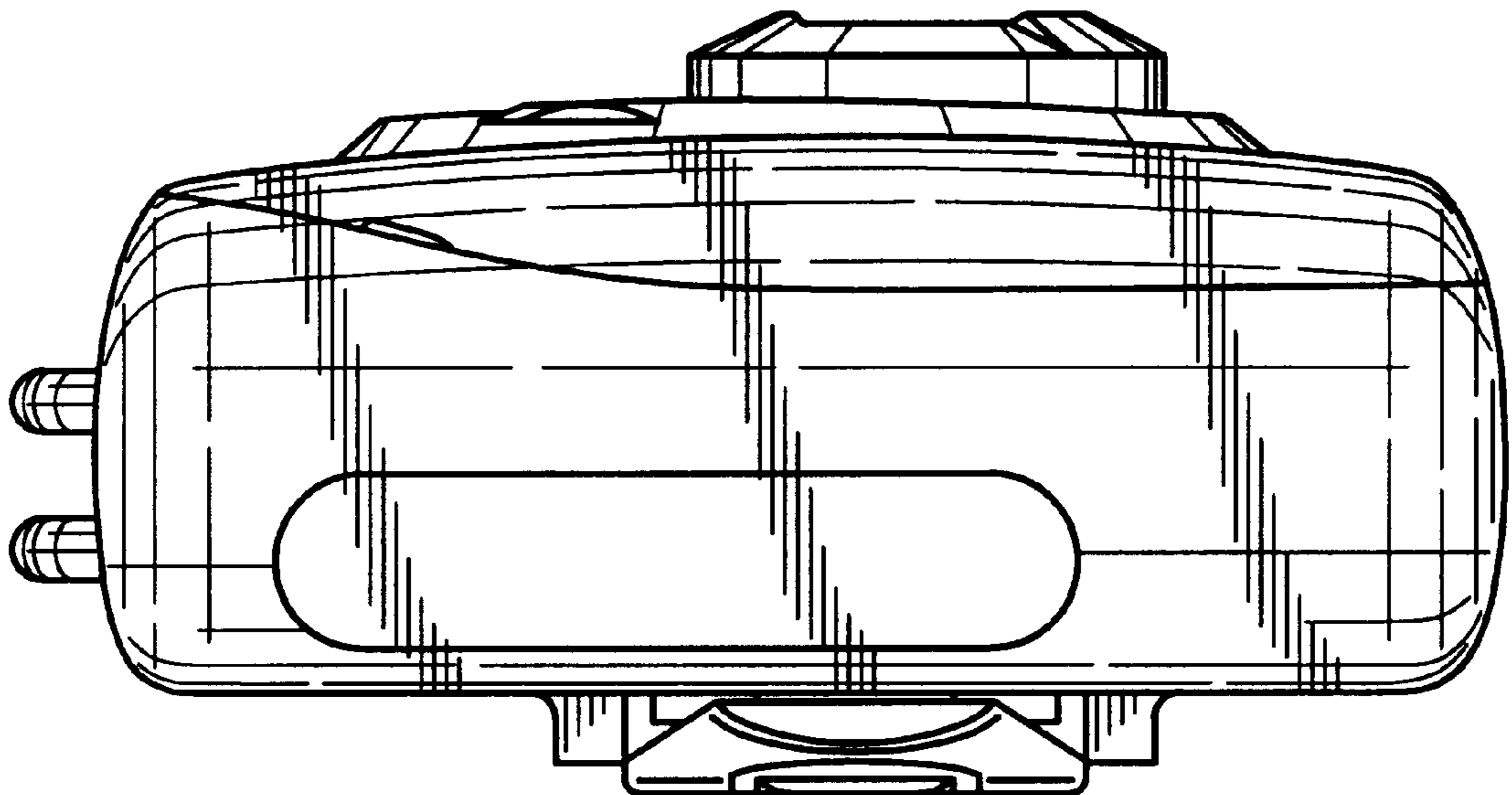


FIG. 6

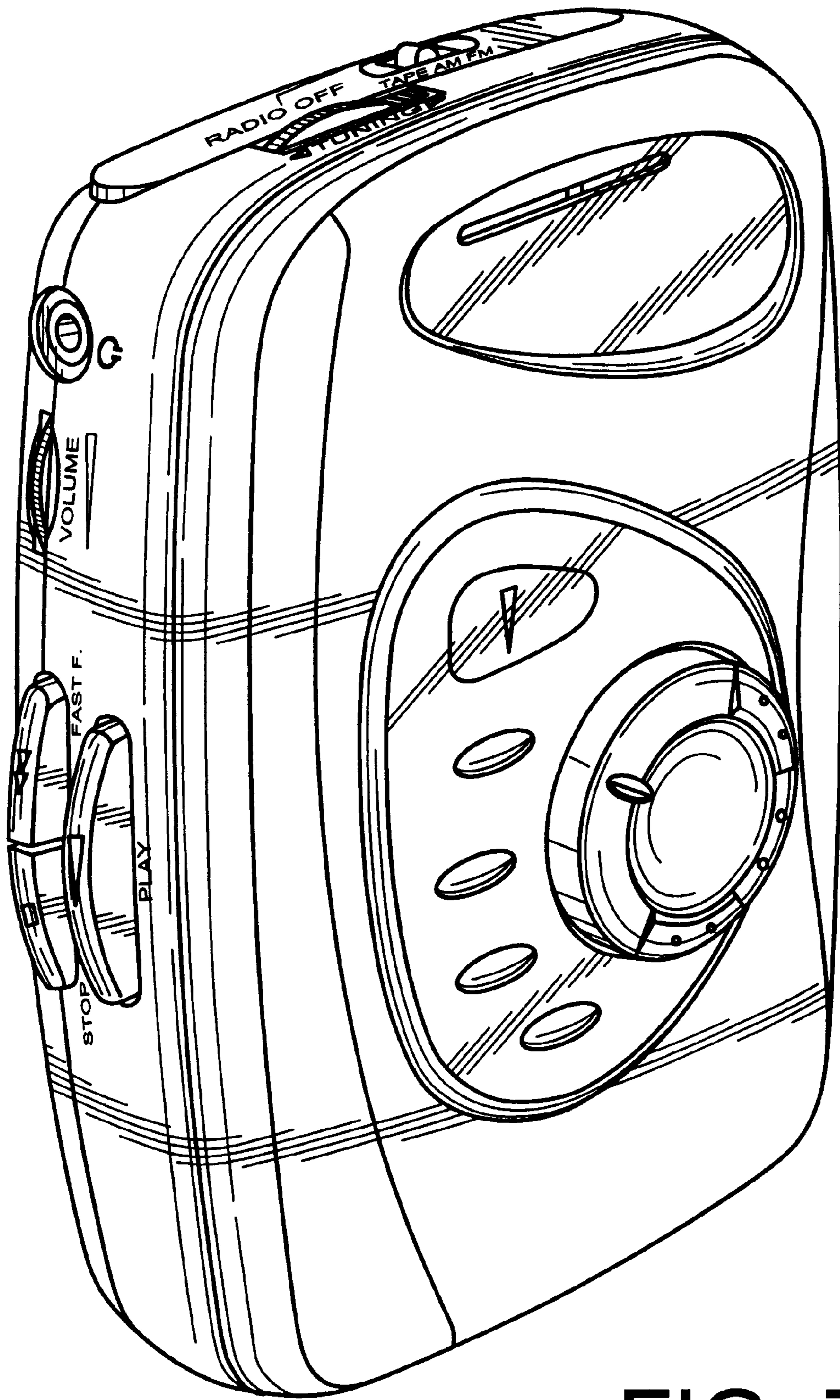


FIG. 7