



US00D423003S

United States Patent [19] Chan

[11] Patent Number: **Des. 423,003**

[45] Date of Patent: **** *Apr. 18, 2000**

[54] **TELEPHONE**

[75] Inventor: **Raymond Chan**, Hong Kong, The Hong Kong Special Administrative Region of the People's Republic of China

[73] Assignee: **IDT Communication Technology Ltd.**, Kowloon, The Hong Kong Special Administrative Region of the People's Republic of China

[*] Notice: This patent is subject to a terminal disclaimer.

[**] Term: **14 Years**

[21] Appl. No.: **29/104,913**

[22] Filed: **May 12, 1999**

[30] **Foreign Application Priority Data**

Apr. 1, 1999 [HK] The Hong Kong Special Administrative Region of the People's Republic of China 9910383

[51] **LOC (6) Cl.** **14-03**

[52] **U.S. Cl.** **D14/151**

[58] **Field of Search** D14/137, 138, D14/148, 147, 149-151, 140-142, 240, 241; 379/433-436, 419, 420, 424, 428, 440

[56] **References Cited**

U.S. PATENT DOCUMENTS

D. 290,603 6/1987 Offredi D14/151

D. 299,456	1/1989	Kuo	D14/151
D. 303,388	9/1989	Mo	D14/151
D. 303,389	9/1989	Mo	D14/151
D. 304,831	11/1989	Ng	D14/140
D. 307,428	4/1990	Pfeifer et al.	D14/151
D. 313,995	1/1991	De Arri	D14/151
D. 330,201	10/1992	Preece et al.	D14/241 X
D. 332,450	1/1993	Kolinen	D14/151
D. 362,001	9/1995	Roegner	D14/151
D. 390,563	2/1998	Akatsu et al.	D14/151
4,803,723	2/1989	Willis	379/433 X

Primary Examiner—Jeffrey Asch
Attorney, Agent, or Firm—Leydig, Voit & Mayer, Ltd.

[57] **CLAIM**

The ornamental design for a telephone, as shown and described.

DESCRIPTION

FIG. 1 is a top perspective view of a telephone showing my new design;

FIG. 2 is a top plan view thereof;

FIG. 3 is a front elevational view thereof;

FIG. 4 is a right side elevational thereof;

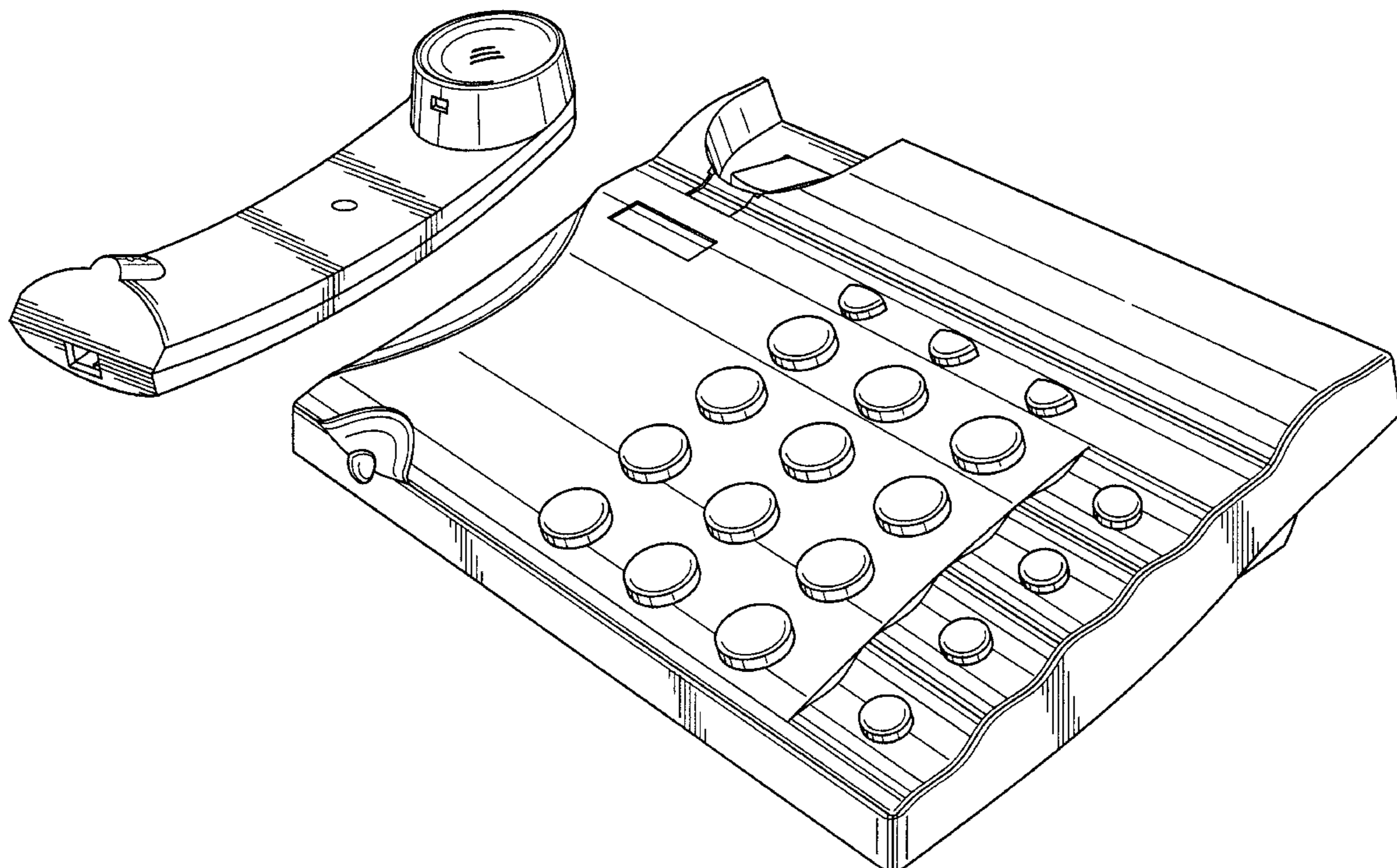
FIG. 5 is a left side elevational thereof;

FIG. 6 is a bottom plan view thereof;

FIG. 7 is a rear elevational view thereof; and,

FIG. 8 is a top perspective view thereof, with a handset shown separated and upside down.

1 Claim, 5 Drawing Sheets



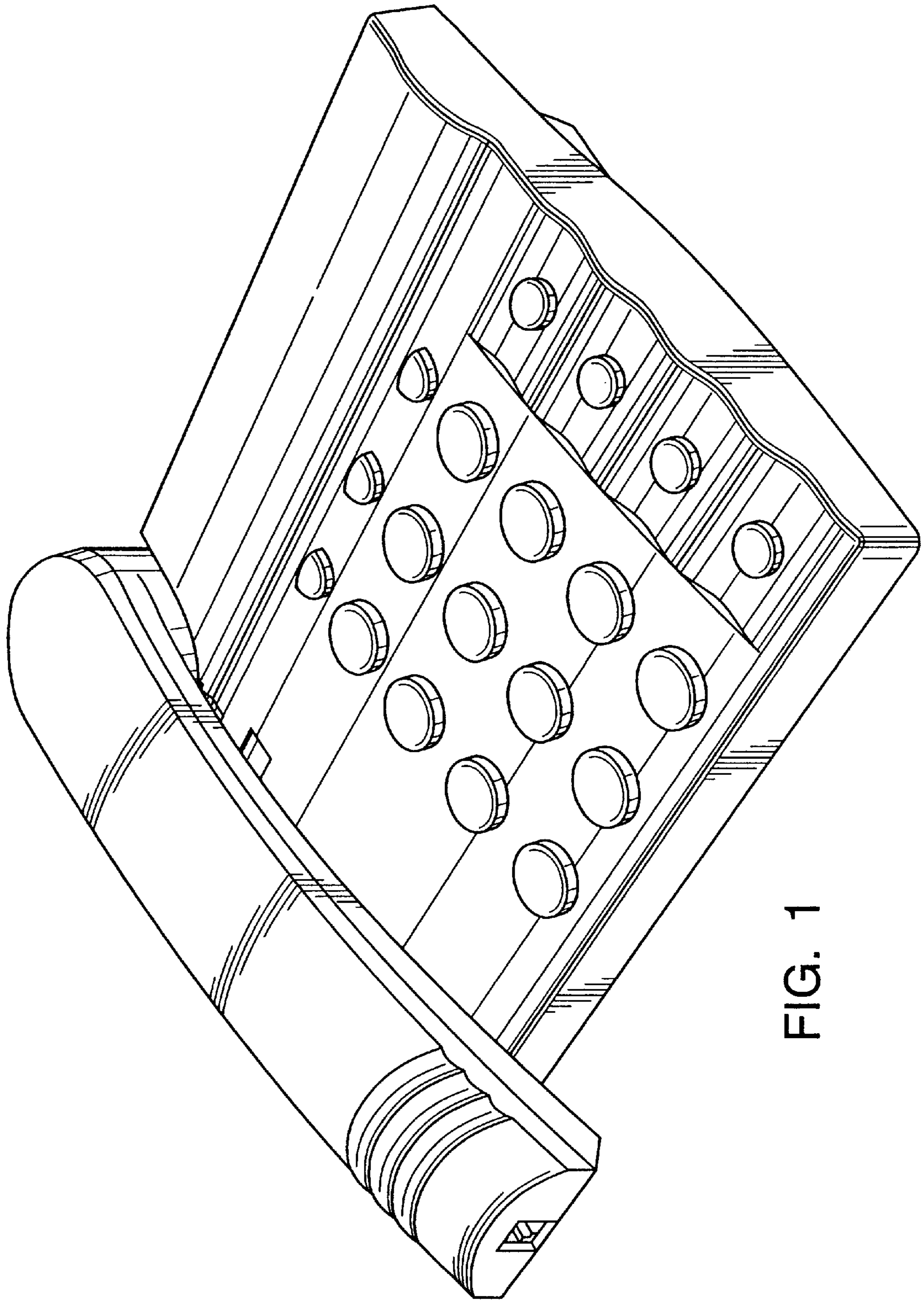


FIG. 1

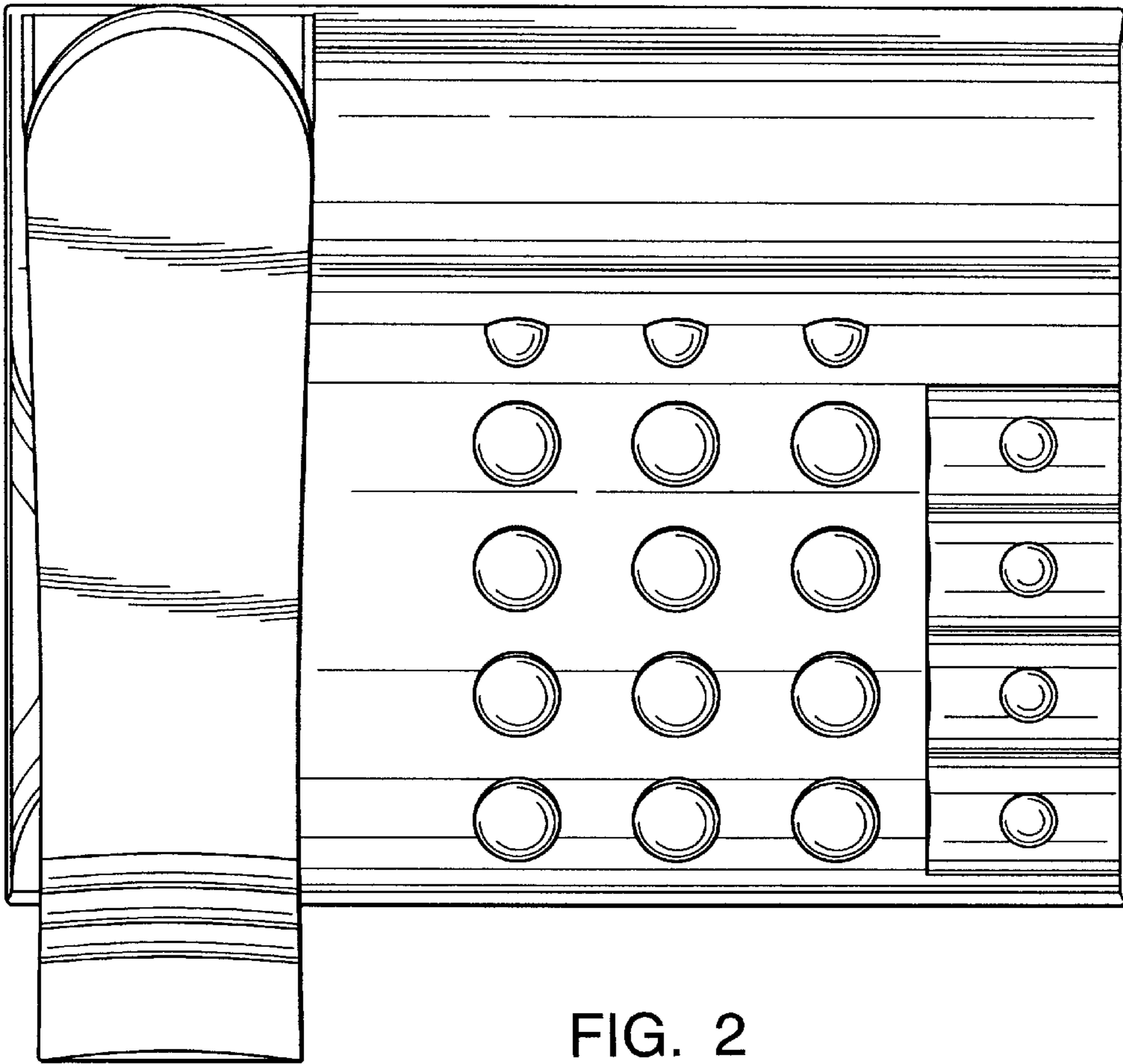


FIG. 2

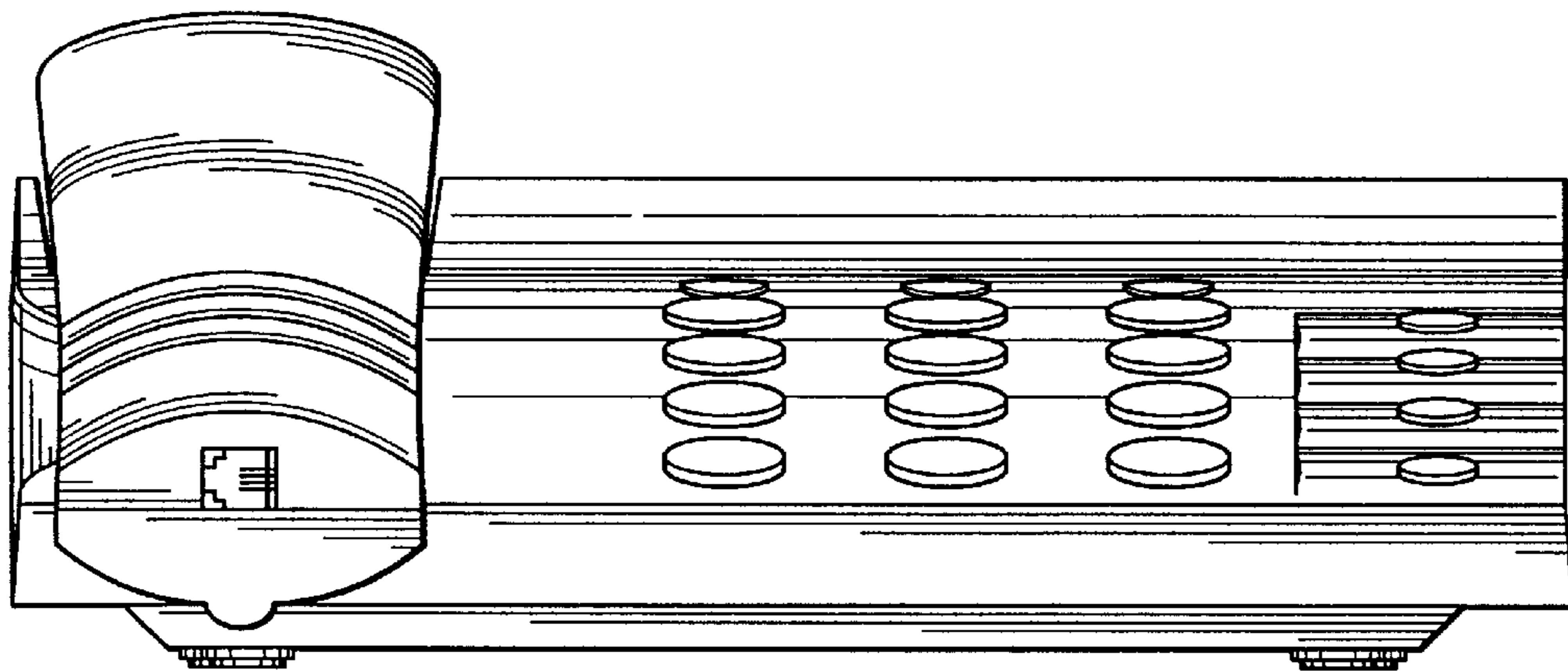


FIG. 3

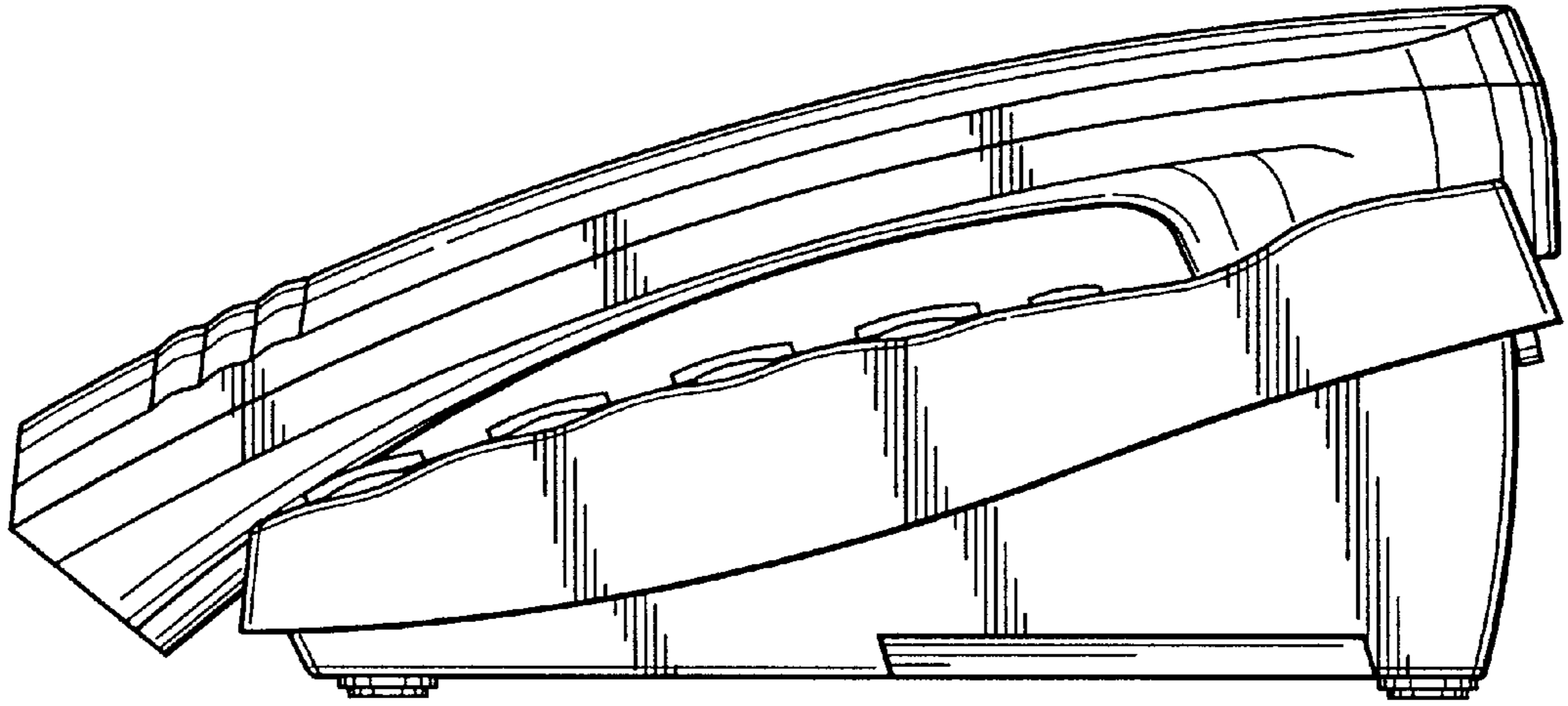


FIG. 4

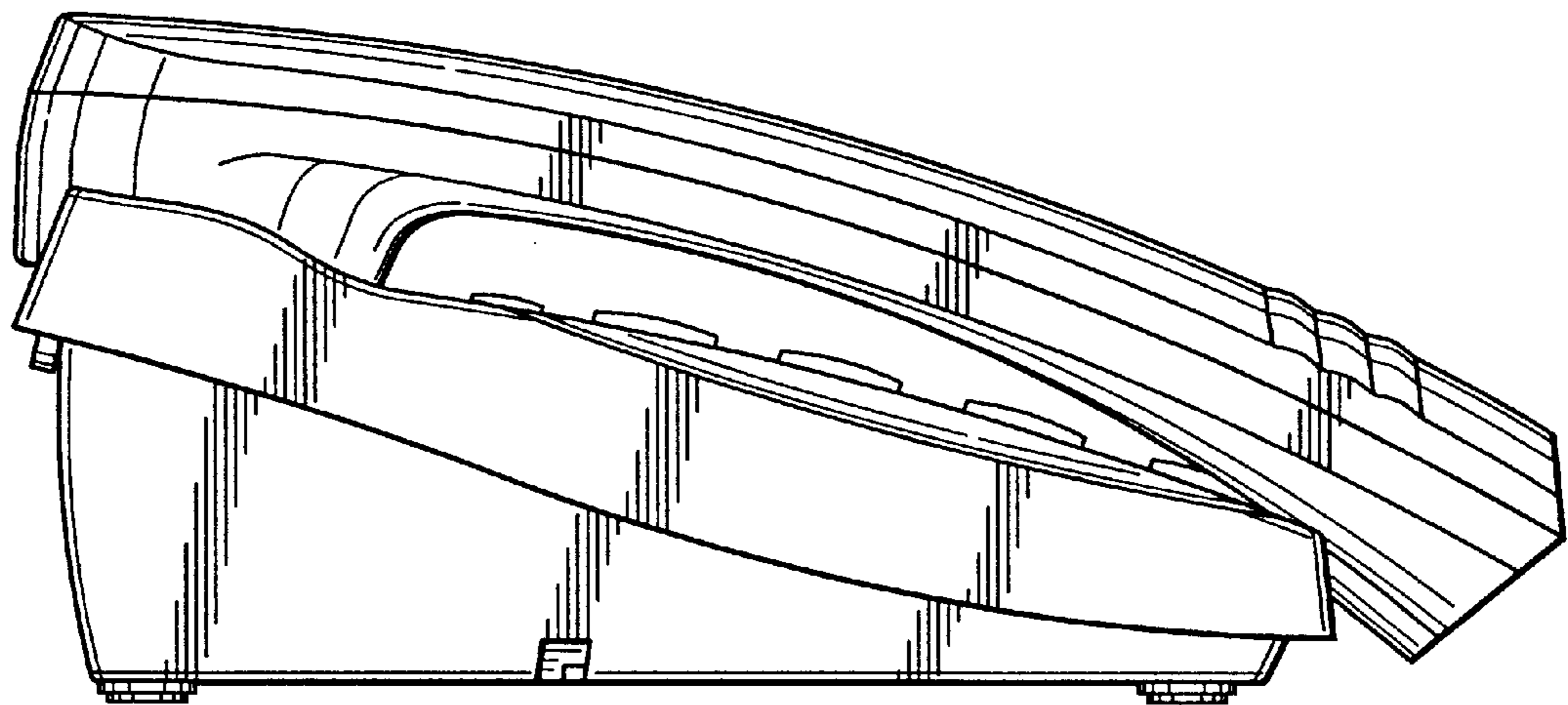


FIG. 5

FIG. 6

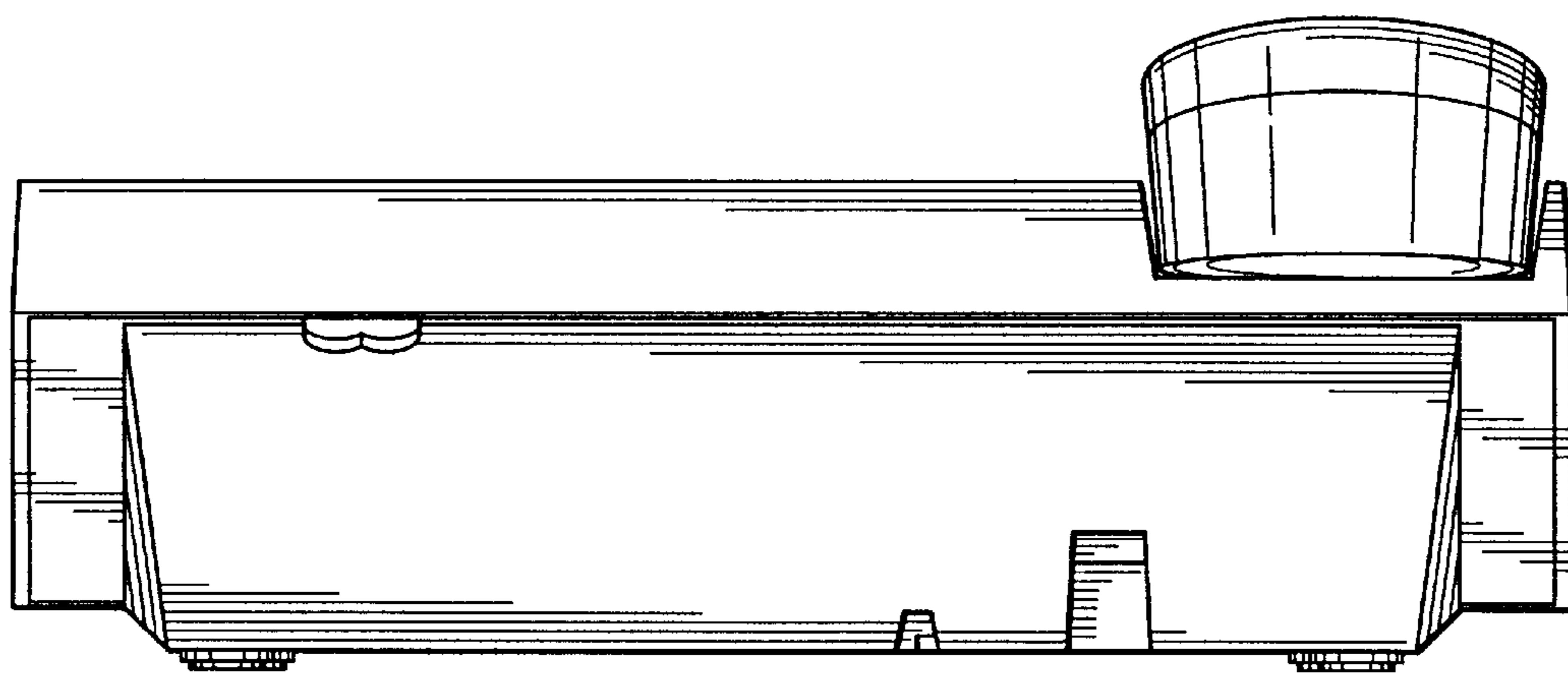
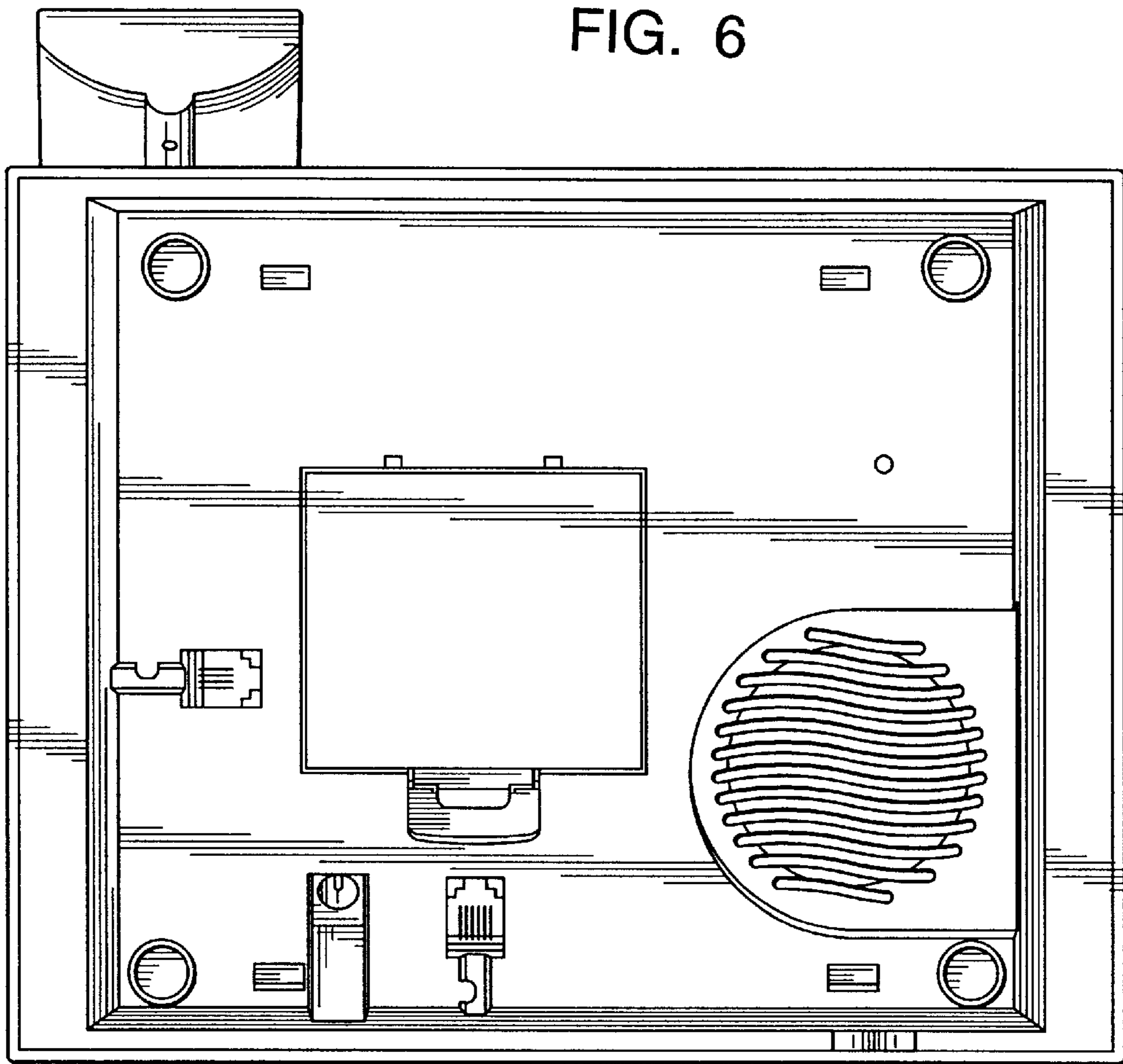


FIG. 7

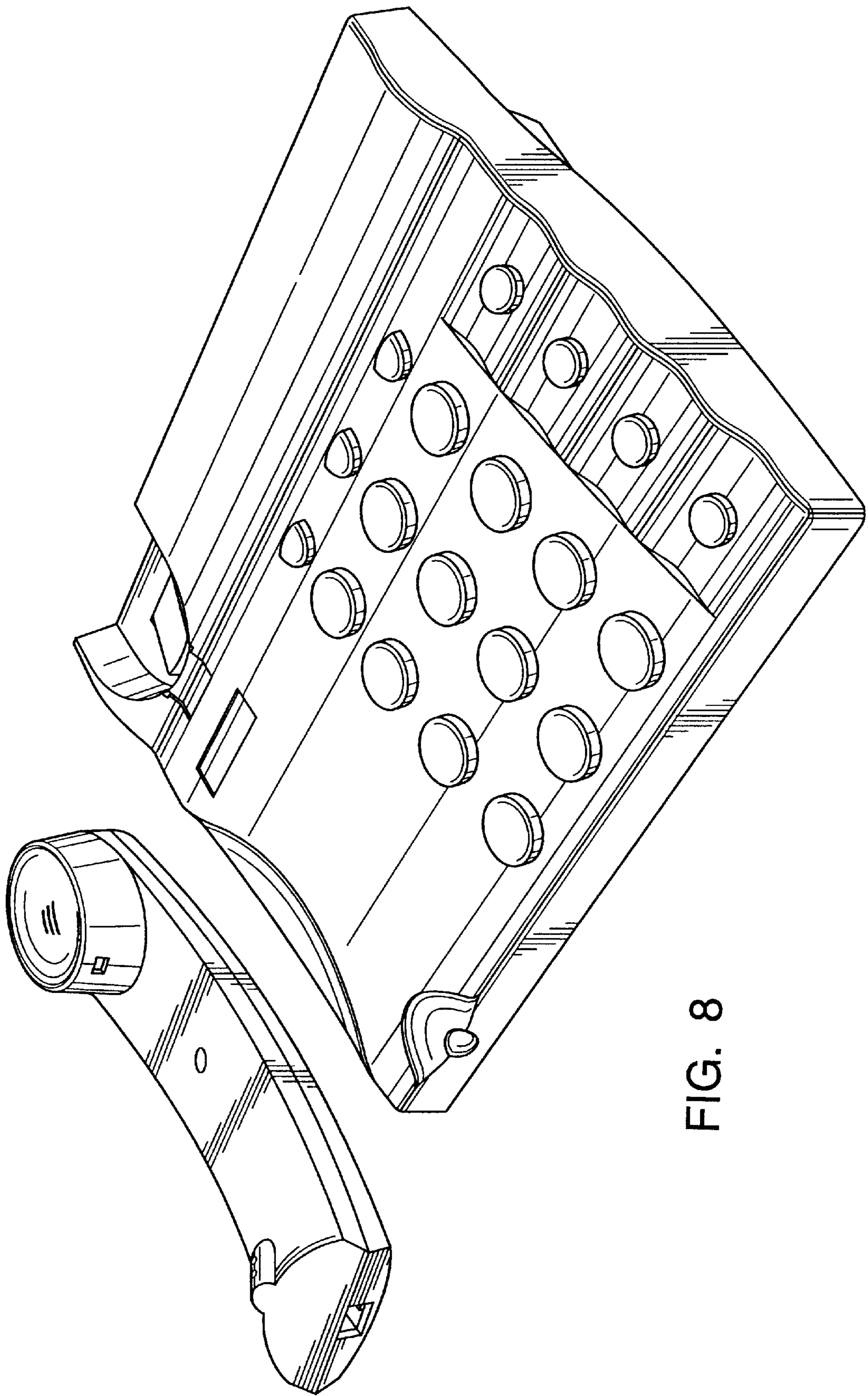


FIG. 8