



US00D423001S

# United States Patent [19] Shindo

[11] Patent Number: **Des. 423,001**

[45] Date of Patent: **\*\* Apr. 18, 2000**

## [54] TELEPHONE

[75] Inventor: **Koji Shindo**, Tokyo, Japan

[73] Assignee: **Sony Corporation**, Tokyo, Japan

[\*\*] Term: **14 Years**

[21] Appl. No.: **29/090,084**

[22] Filed: **Jun. 30, 1998**

[51] LOC (6) Cl. .... **14-03**

[52] U.S. Cl. .... **D14/149; D14/144**

[58] Field of Search ..... D14/137, 138,  
D14/148, 147, 149-151, 140-142, 240,  
241, 251, 253; 379/433-436, 419, 420,  
428, 440, 454, 455, 446, 447; D13/107,  
108; 320/110, 113, 114, 115

## [56] References Cited

### U.S. PATENT DOCUMENTS

D. 309,303	7/1990	Appleby	.....	D14/144
D. 335,669	5/1993	Yu	.....	D14/144
D. 352,497	11/1994	Scianna, Sr. et al.	.....	D13/108
D. 354,955	1/1995	Wicks	.....	D14/141
D. 359,284	6/1995	Hung	.....	D14/151
D. 369,600	5/1996	Zeitman	.....	D14/144
D. 369,798	5/1996	Kong et al.	.....	D14/149
D. 372,027	7/1996	Tomoike	.....	D14/151
D. 395,304	6/1998	Mori et al.	.....	D14/144
D. 401,235	11/1998	Fuke et al.	.....	D14/149
D. 408,817	4/1999	Ishibashi	.....	D14/149
D. 410,922	6/1999	Komiyama	.....	D14/149

## OTHER PUBLICATIONS

“Sony Style” p. 269, SPP-A900, Apr. 1998.  
Sony Catalog, Sony Digital Satellite Systems, Fall/Winter  
1996, pp. 173-175.

*Primary Examiner*—Jeffrey Asch  
*Attorney, Agent, or Firm*—Foley & Lardner

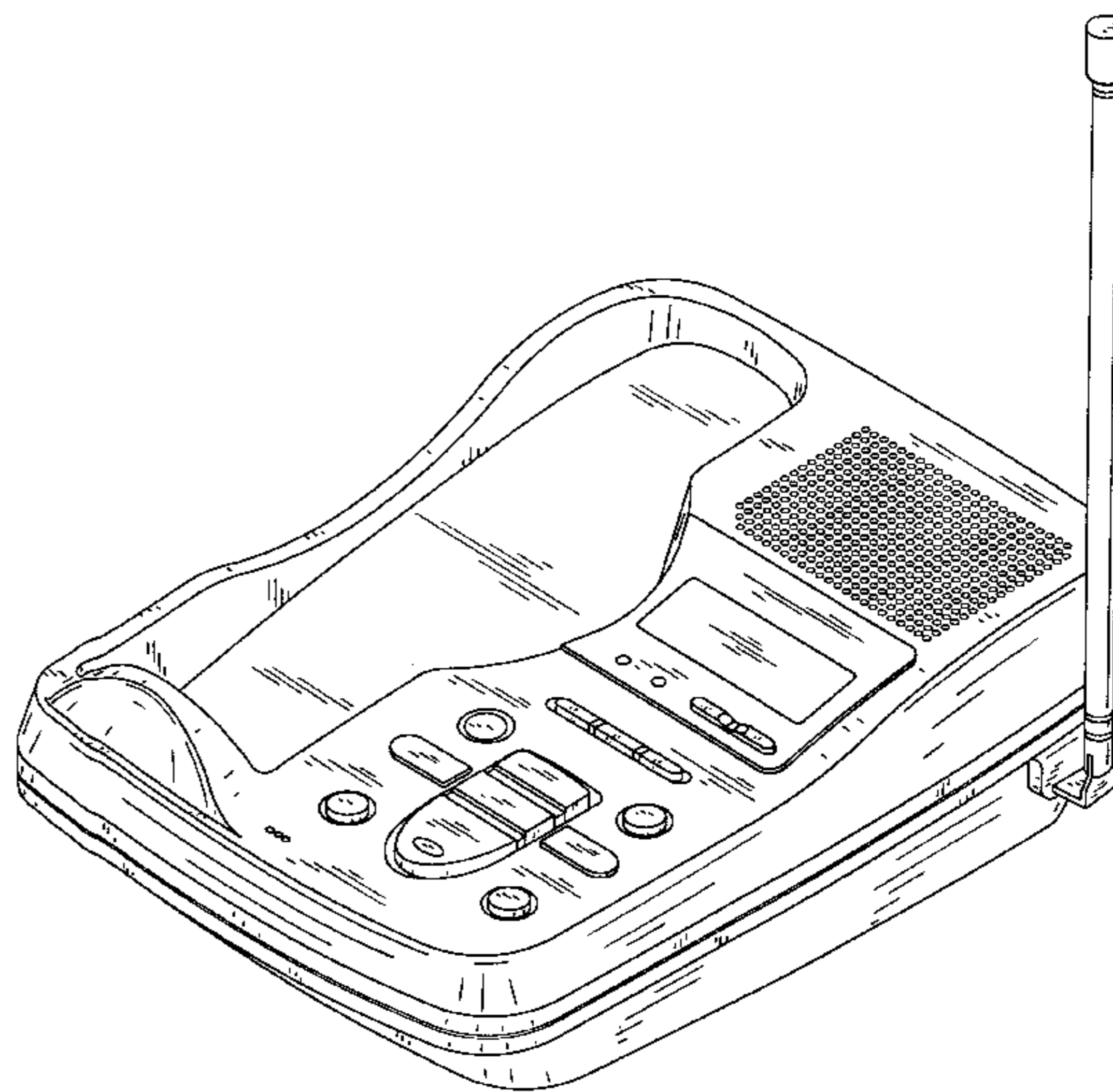
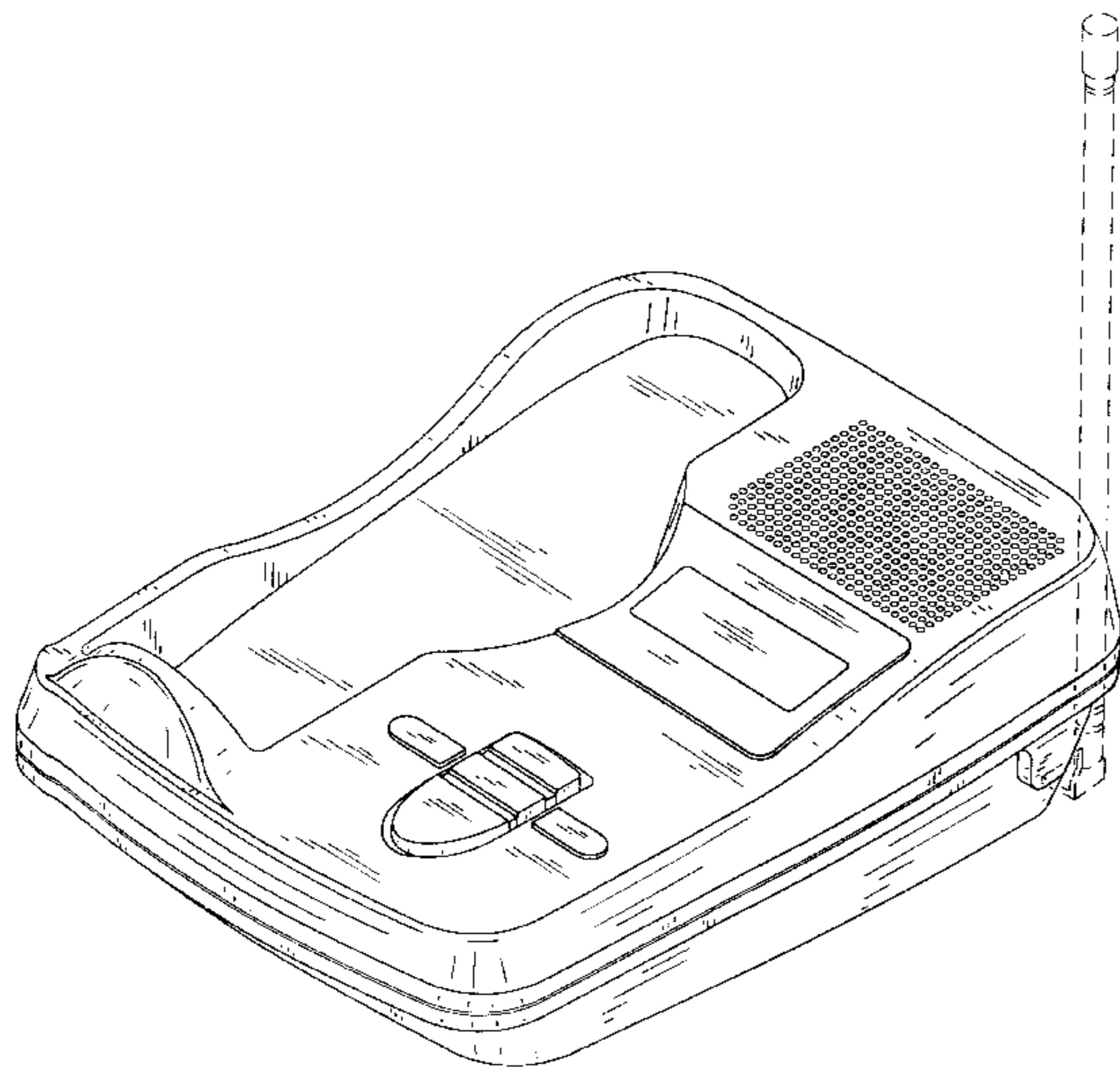
## [57] CLAIM

The ornamental design for a telephone, as shown and  
described.

## DESCRIPTION

FIG. 1 is a perspective view of a first embodiment of a  
telephone showing my new design;  
FIG. 2 is a top plan view thereof;  
FIG. 3 is a bottom plan view thereof;  
FIG. 4 is a left side elevational view thereof;  
FIG. 5 is a right side elevational view thereof;  
FIG. 6 is a front elevational view thereof; and  
FIG. 7 is a rear elevational view thereof.  
FIG. 8 is a perspective view of a second embodiment of a  
telephone showing my new design;  
FIG. 9 is a top plan view thereof;  
FIG. 10 is a bottom plan view thereof;  
FIG. 11 is a left side elevational view thereof;  
FIG. 12 is a right side elevational view thereof;  
FIG. 13 is a front elevational view thereof; and,  
FIG. 14 is a rear elevational view thereof.  
Antenna portions in broken lines are for illustrative purposes  
only and form no part of the claimed design.

**1 Claim, 8 Drawing Sheets**



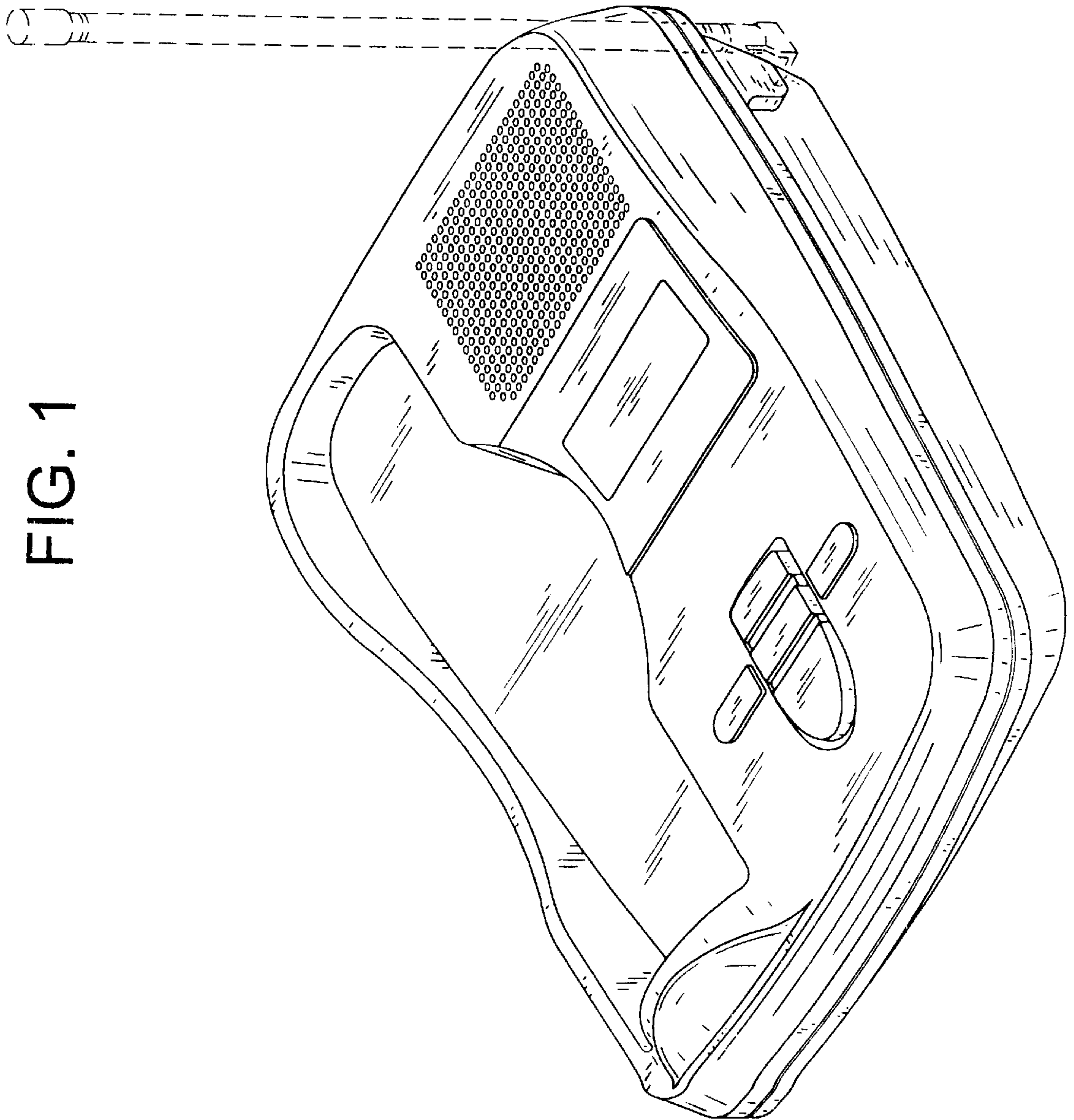


FIG. 1

FIG. 2

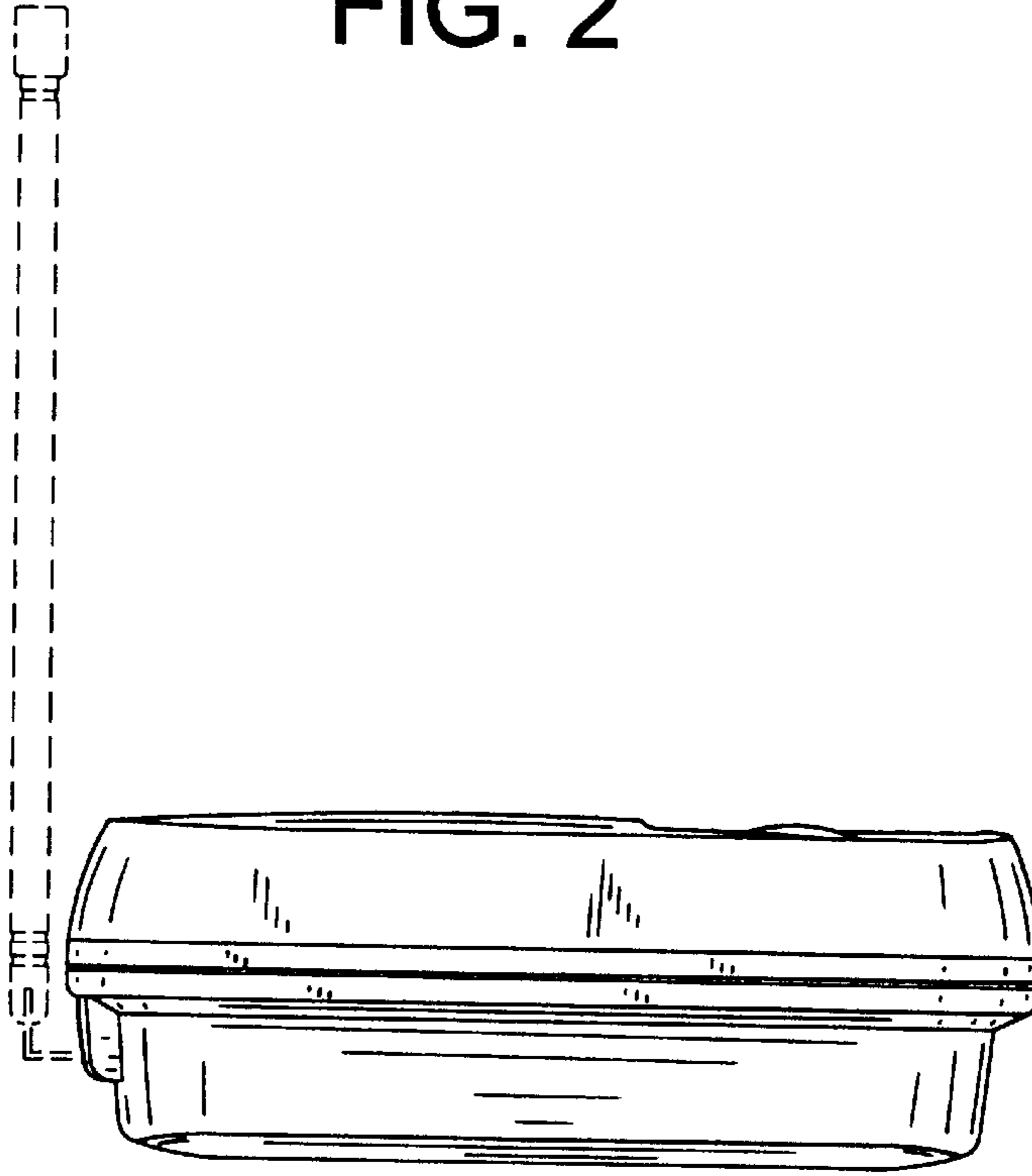


FIG. 3

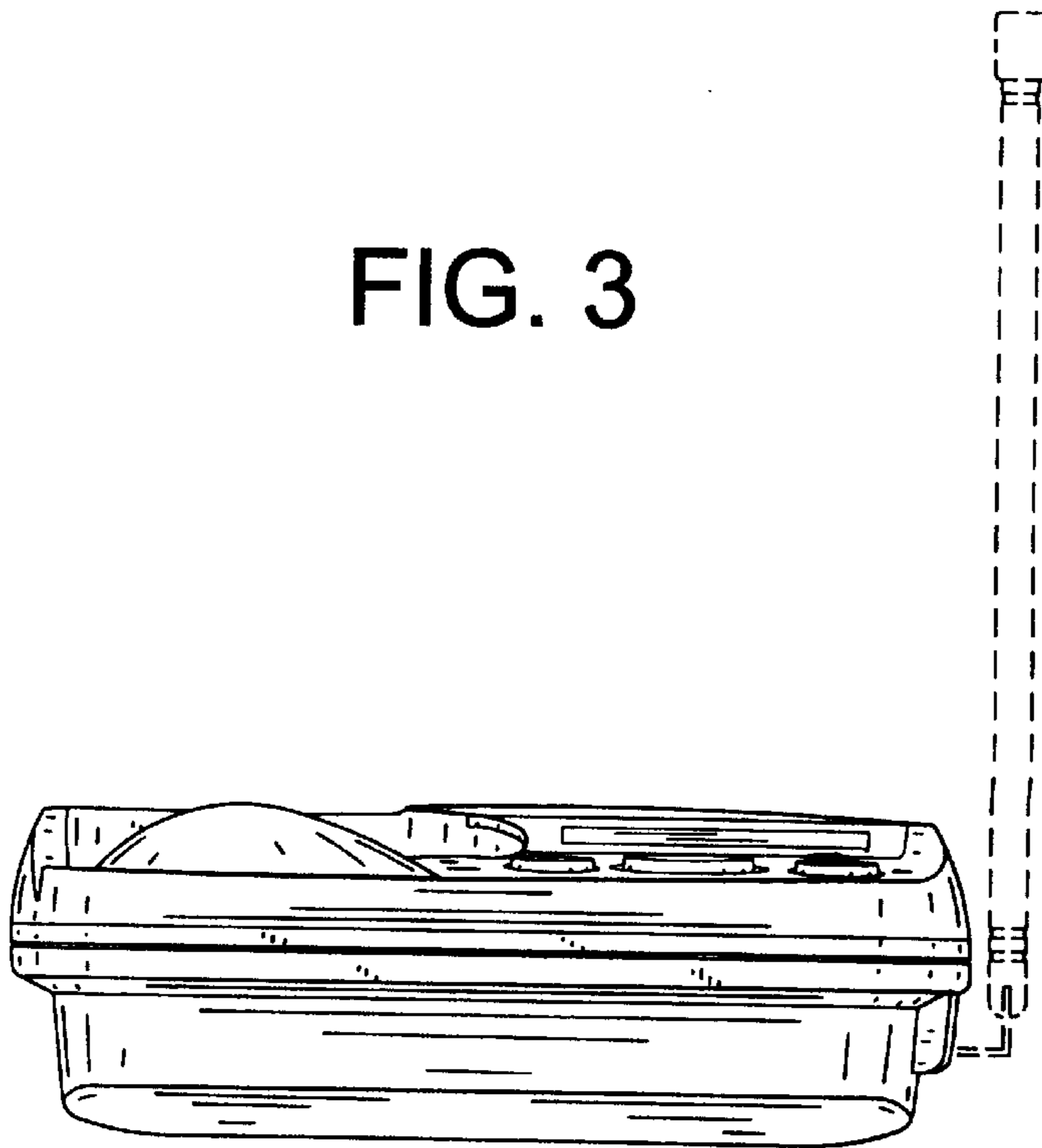


FIG. 5

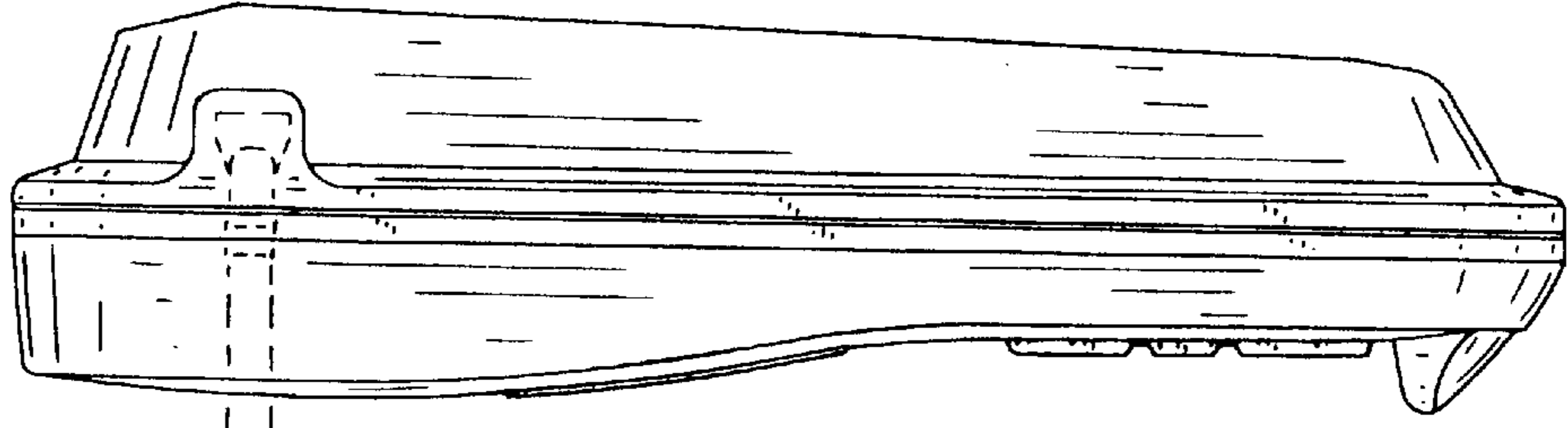


FIG. 4

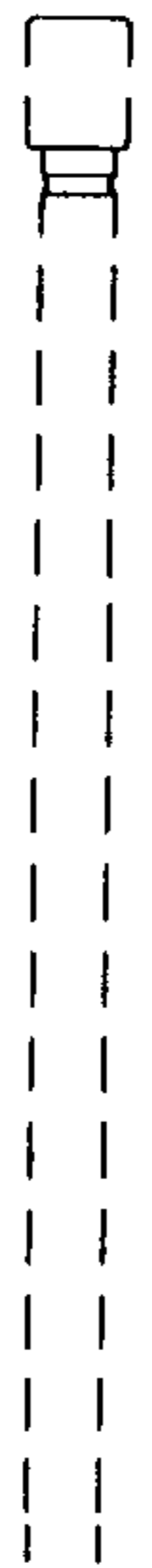
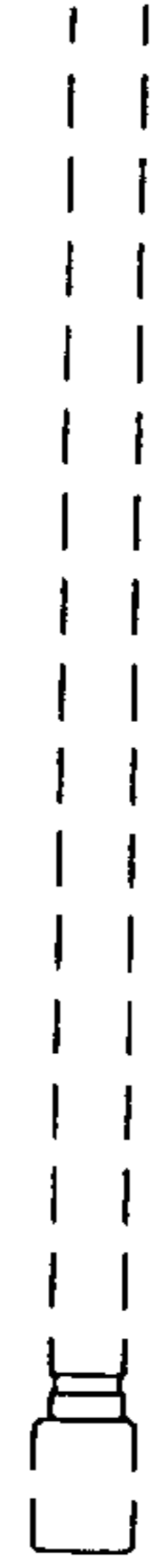
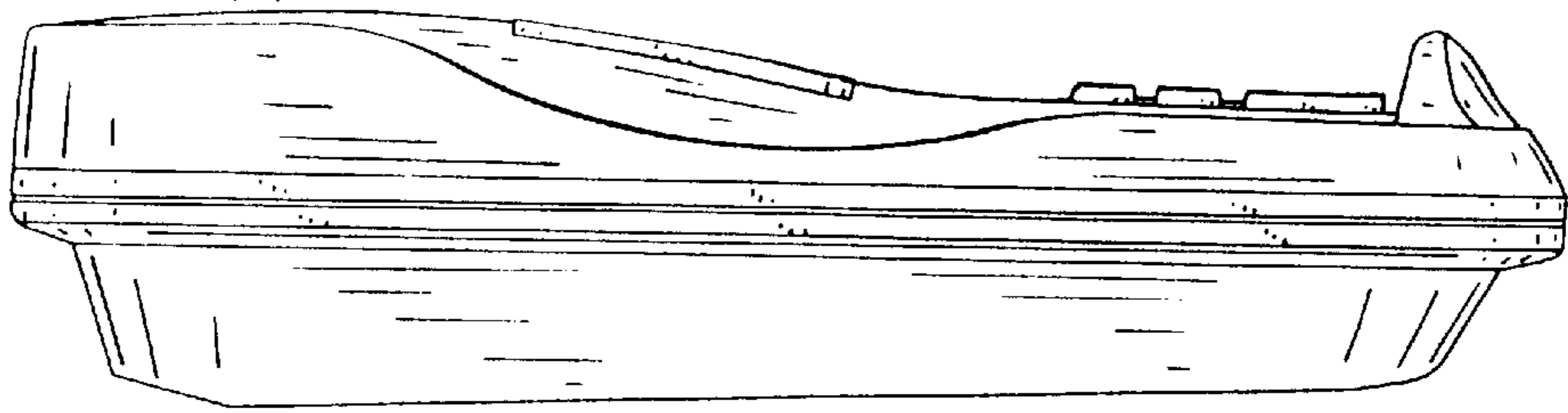




FIG. 7

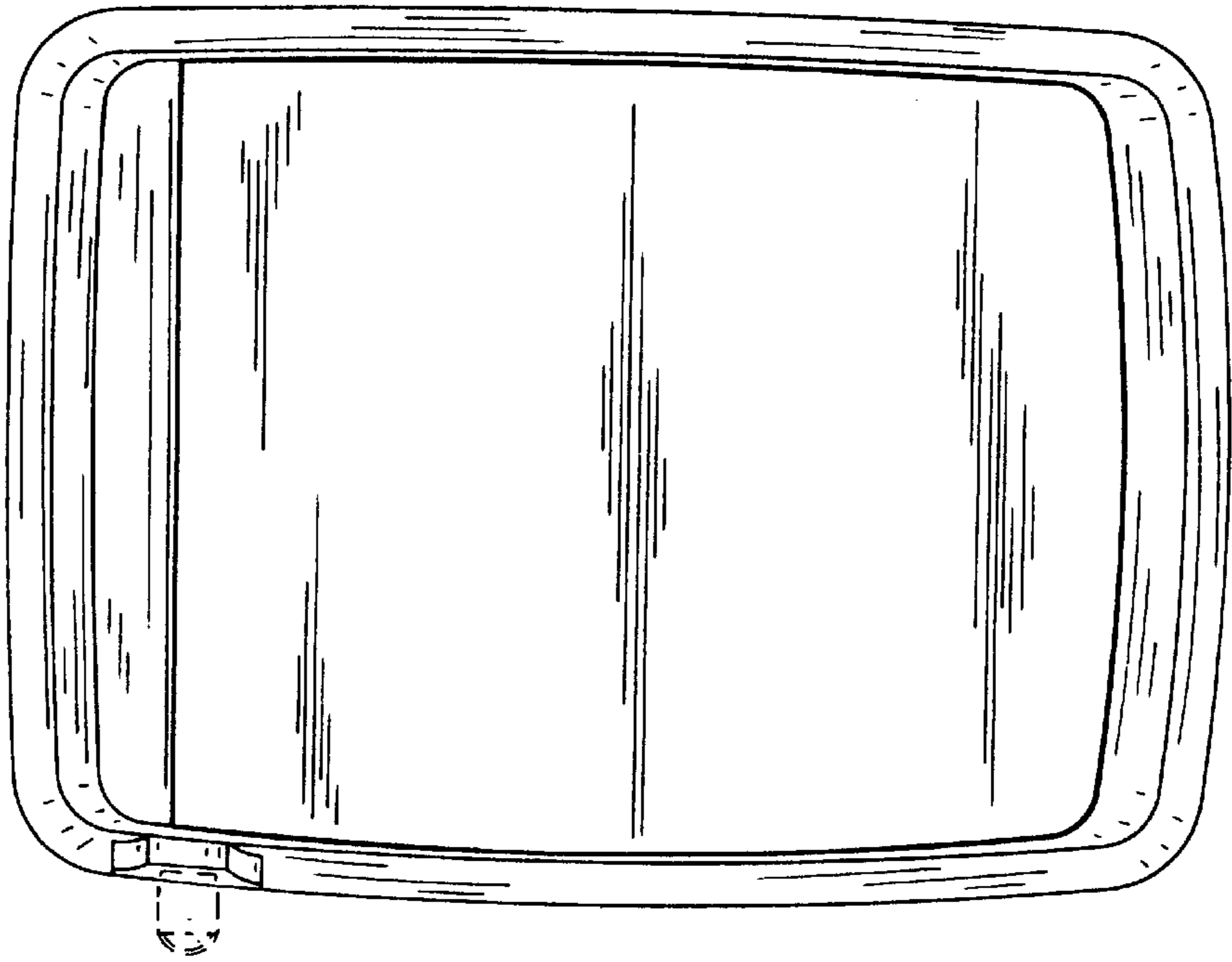
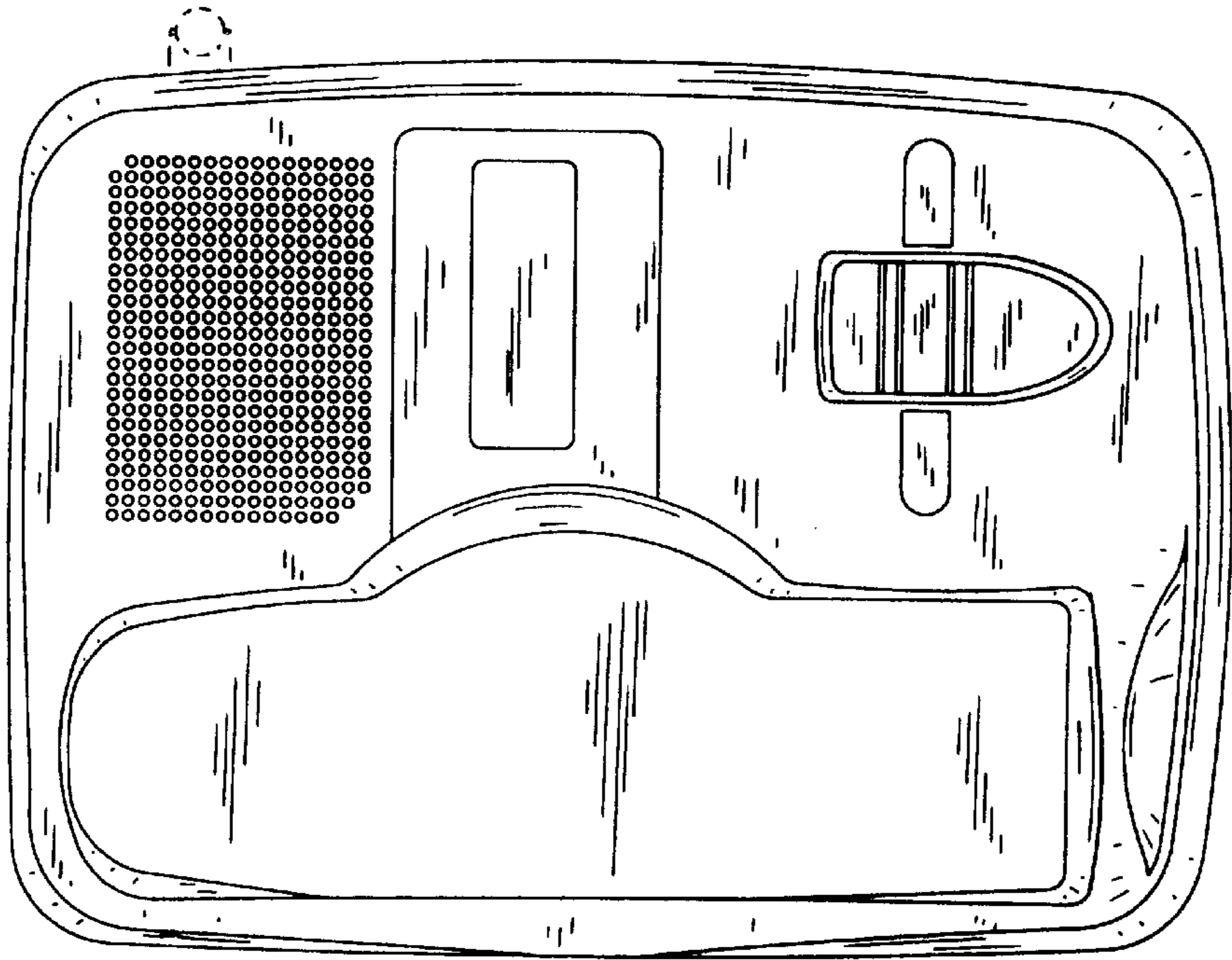


FIG. 6



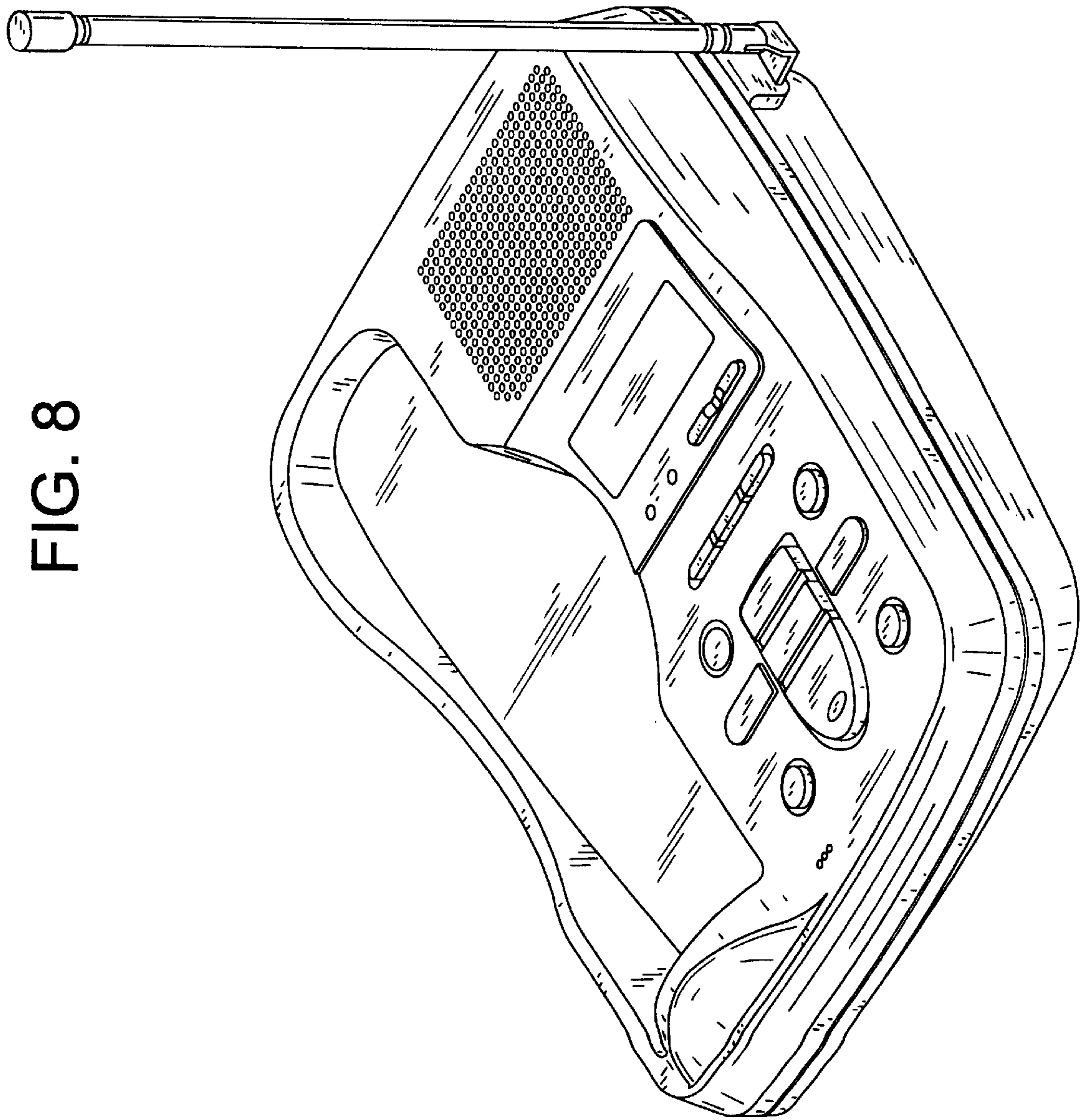


FIG. 8

FIG. 9

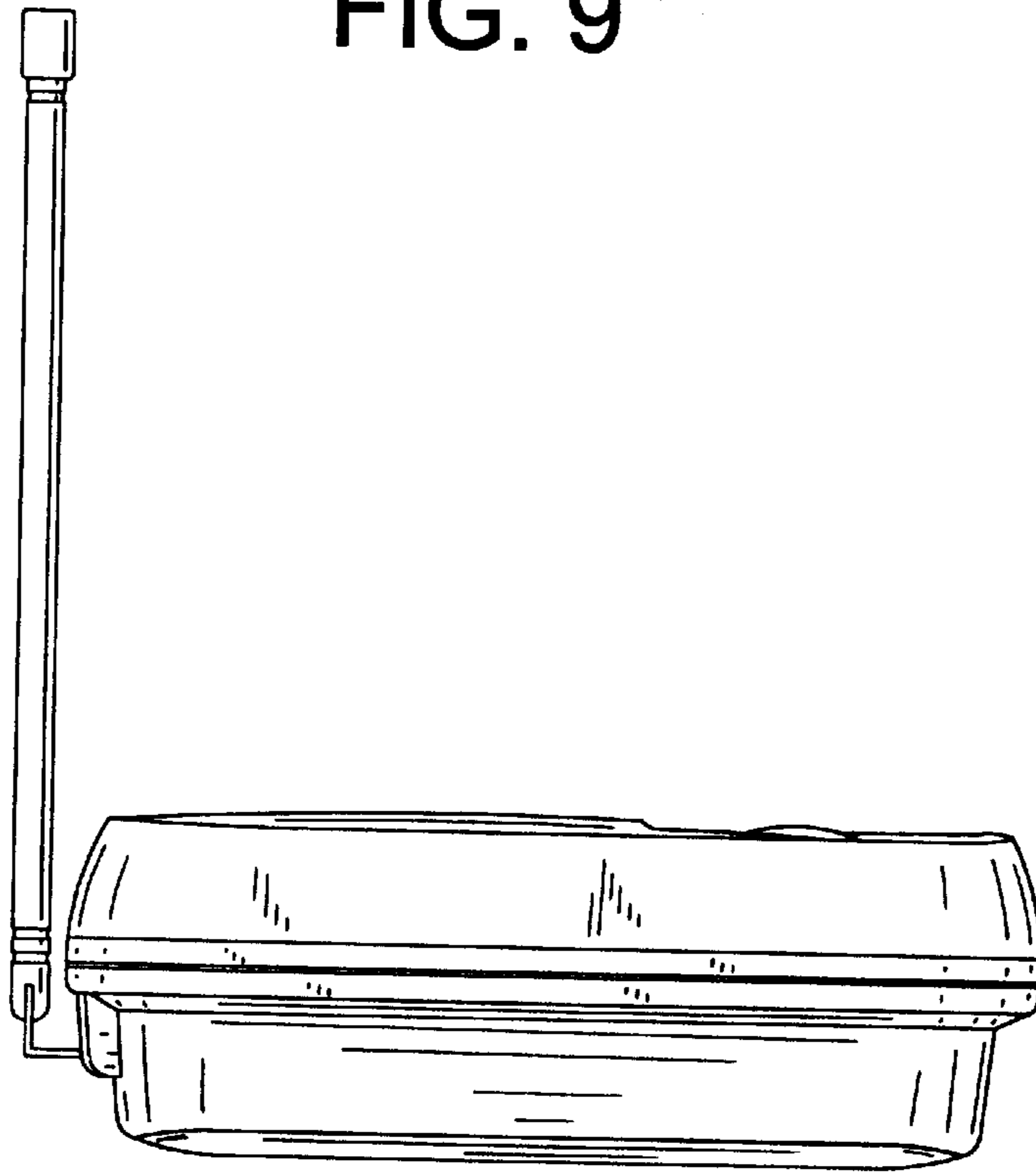


FIG. 10

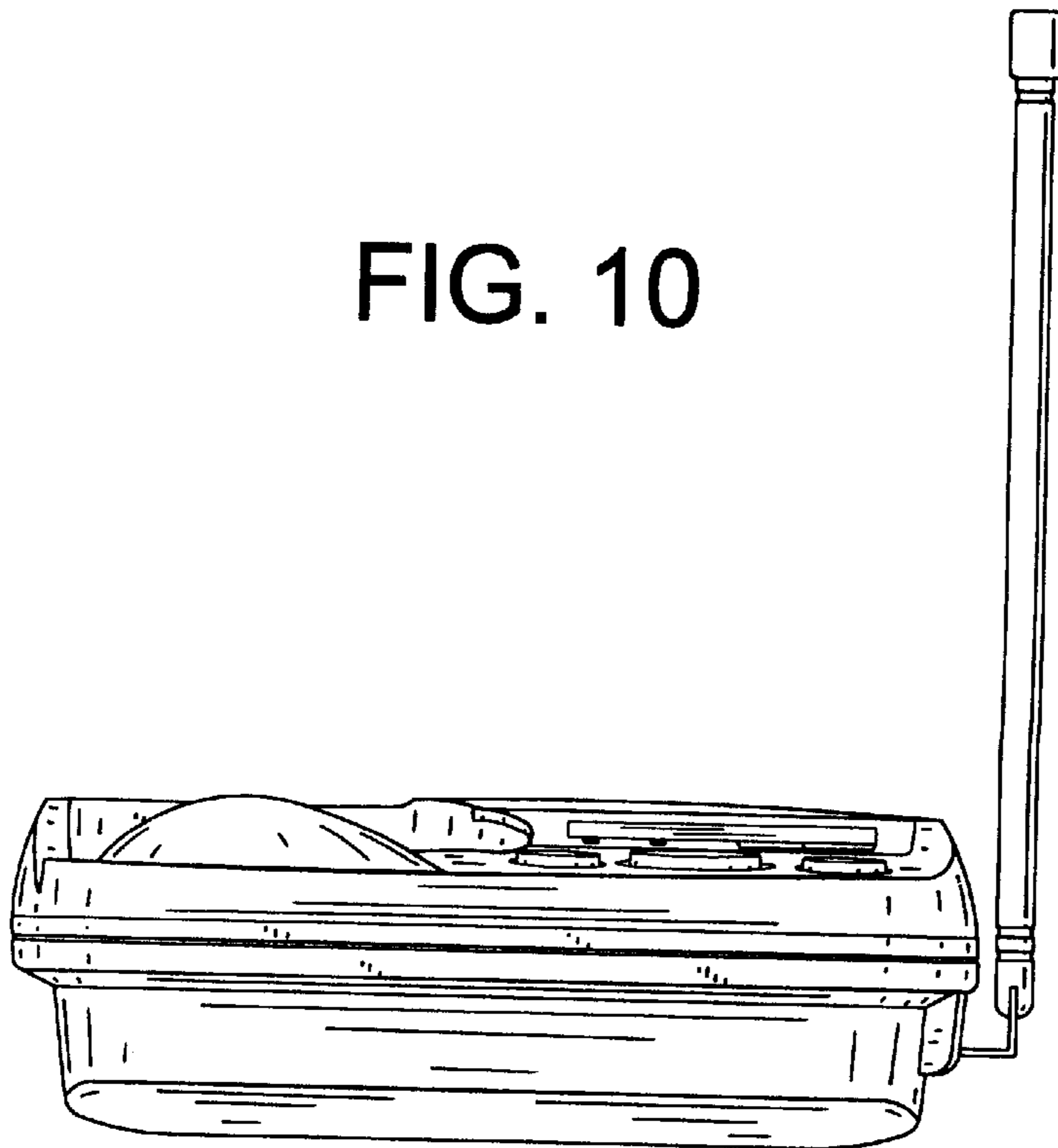


FIG. 12

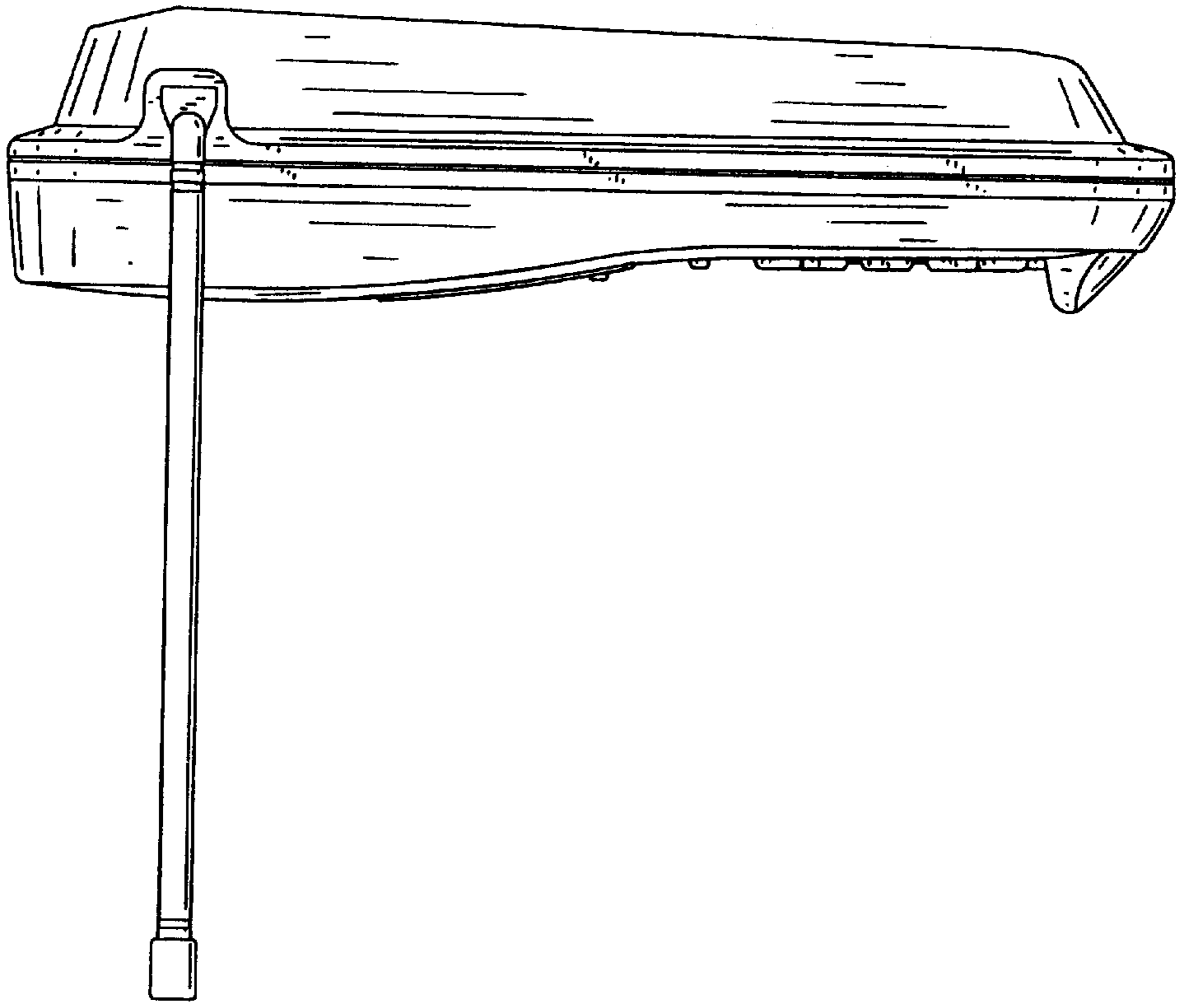


FIG. 11

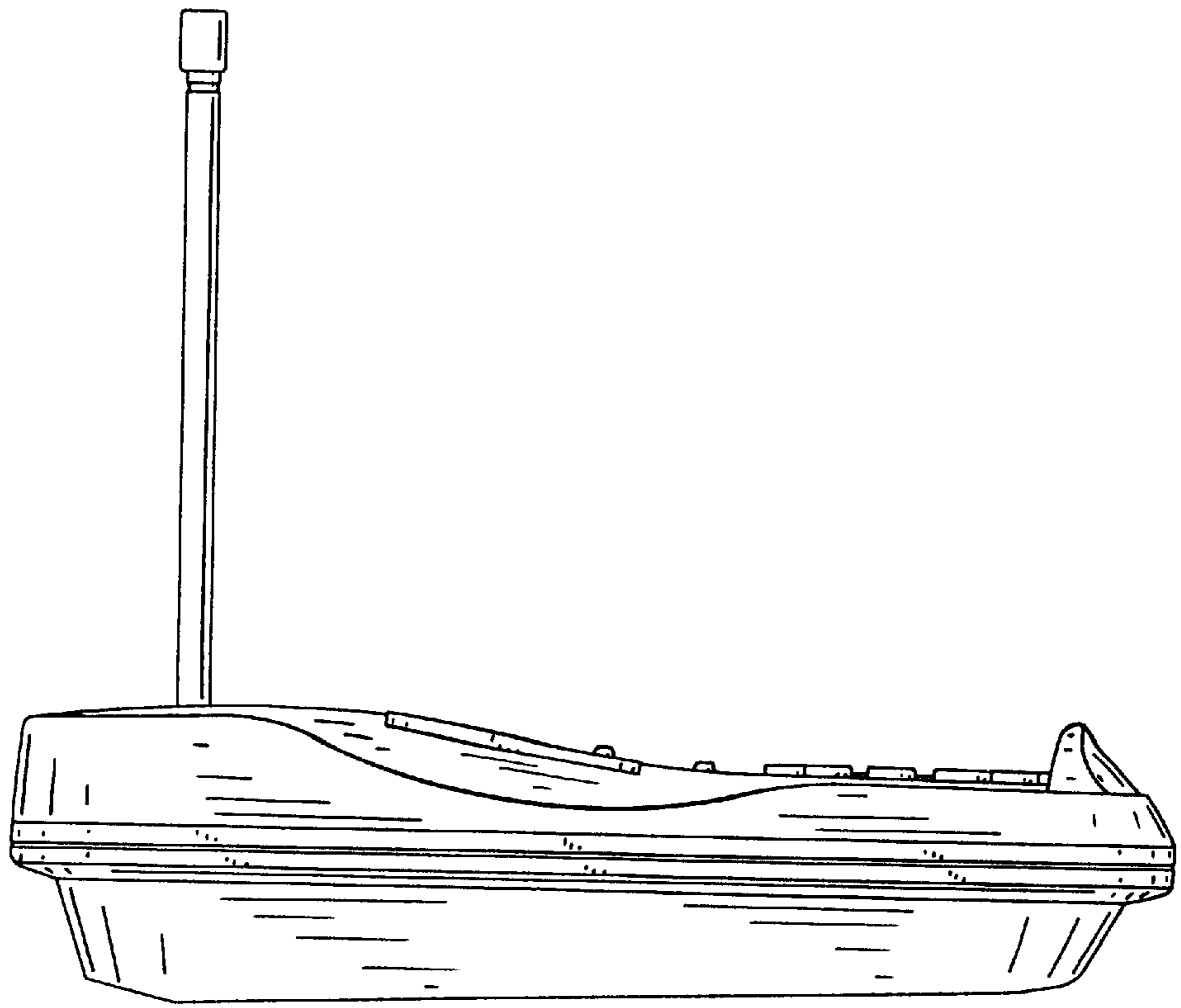




FIG. 14

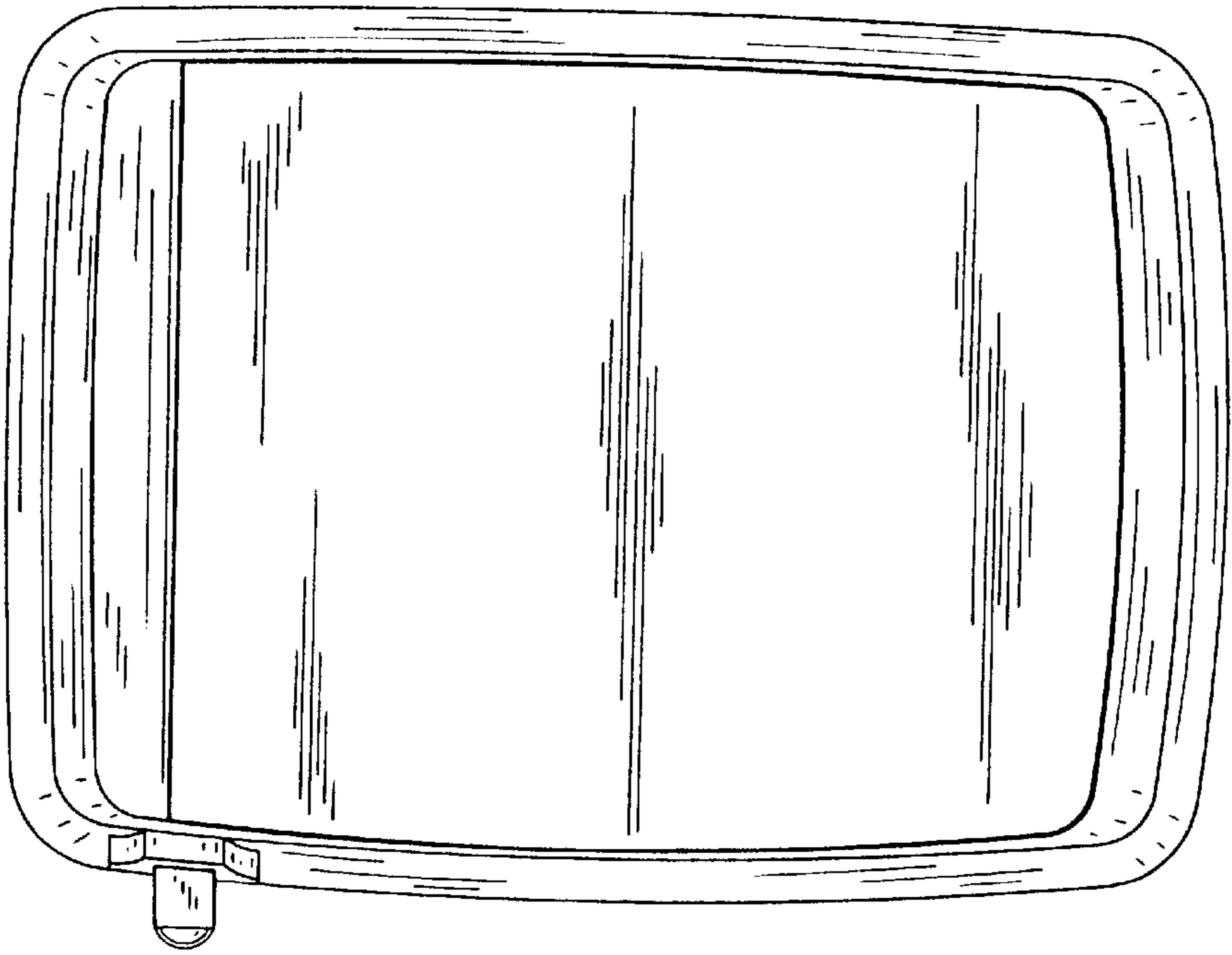


FIG. 13

