



US00D422996S

United States Patent [19]

Alviar et al.

[11] Patent Number: **Des. 422,996**

[45] Date of Patent: **** Apr. 18, 2000**

[54] **COMPUTER INPUT DEVICE**

[75] Inventors: **Christopher G. Alviar**, Seattle; **Allen M. Han**, Kirkland; **Thomas W. Brooks**; **Melissa S. Jacobson**, both of Seattle, all of Wash.

[73] Assignee: **Microsoft Corporation**, Redmond, Wash.

[**] Term: **14 Years**

[21] Appl. No.: **29/099,878**

[22] Filed: **Jan. 29, 1999**

[51] **LOC (6) Cl.** **14-02**

[52] **U.S. Cl.** **D14/117.1**

[58] **Field of Search** D14/100, 114, D14/117.1-117.9; D13/158; 21/324-33, 385; 200/5 R, 5 A, 6 R, 6 A; 273/148 B; 345/156-67; 47/471 XY; 463/36-9

[56] **References Cited**

U.S. PATENT DOCUMENTS

D. 376,326 12/1996 Yokoi et al. .

D. 398,032 9/1998 Goto .
D. 409,179 5/1999 Tyler et al. D14/117.1
D. 413,880 9/1999 Barnes et al. D14/117.1
D. 415,485 10/1999 Leifer et al. D14/117.1
5,355,147 10/1994 Lear 345/156

Primary Examiner—M. H. Tung
Attorney, Agent, or Firm—Banner & Witcoff, Ltd.

[57] **CLAIM**

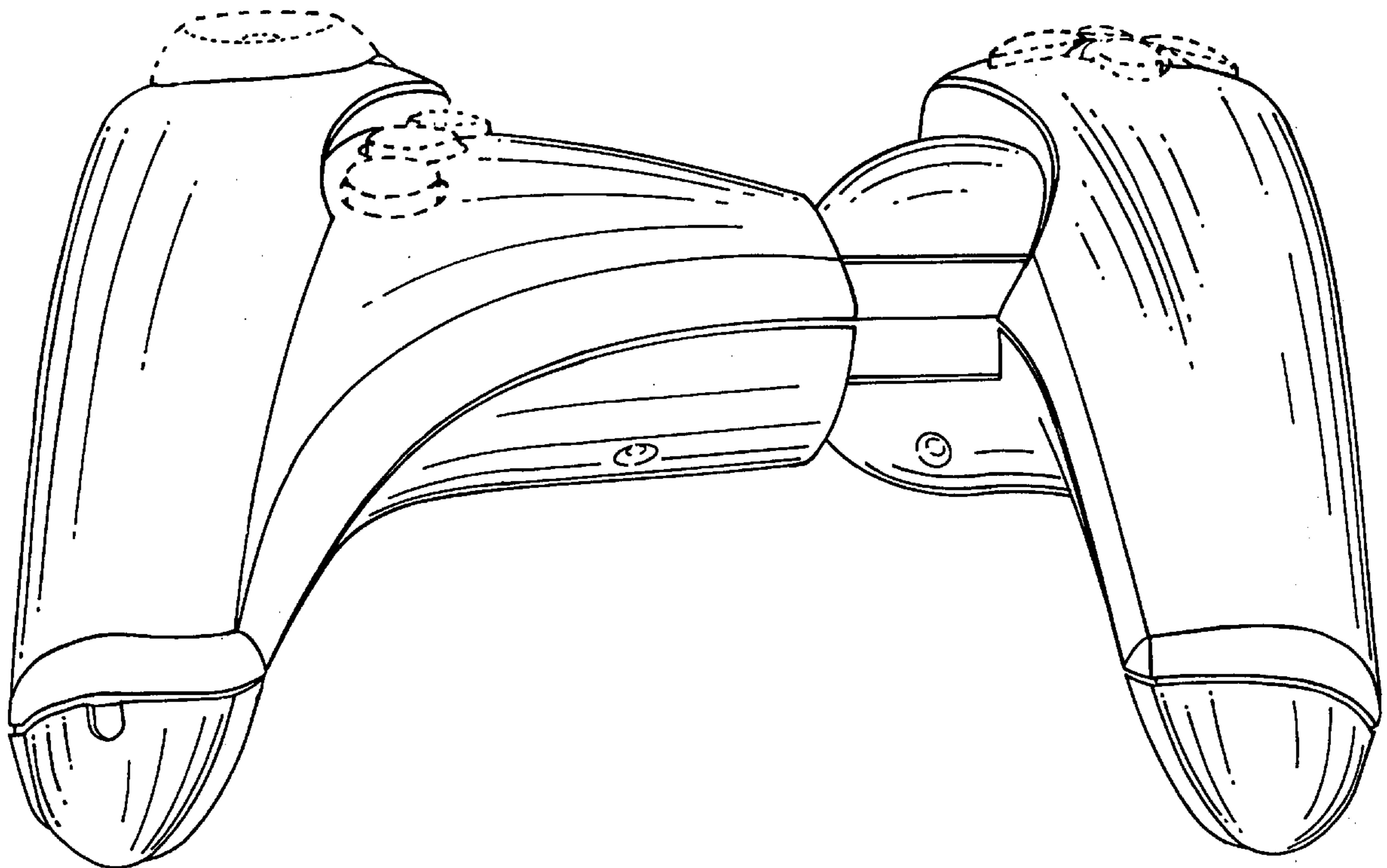
The ornamental design for a computer input device, as shown and described.

DESCRIPTION

FIG. 1 is a top plan view;
FIG. 2 is a bottom perspective view;
FIG. 3 is a bottom plan view;
FIG. 4 is a right side view;
FIG. 5 is a left side view;
FIG. 6 is a rear elevational view; and,
FIG. 7 is a front elevational view.

The broken line disclosure in all views is for illustrative purposes only and forms no part of the claimed design.

1 Claim, 7 Drawing Sheets



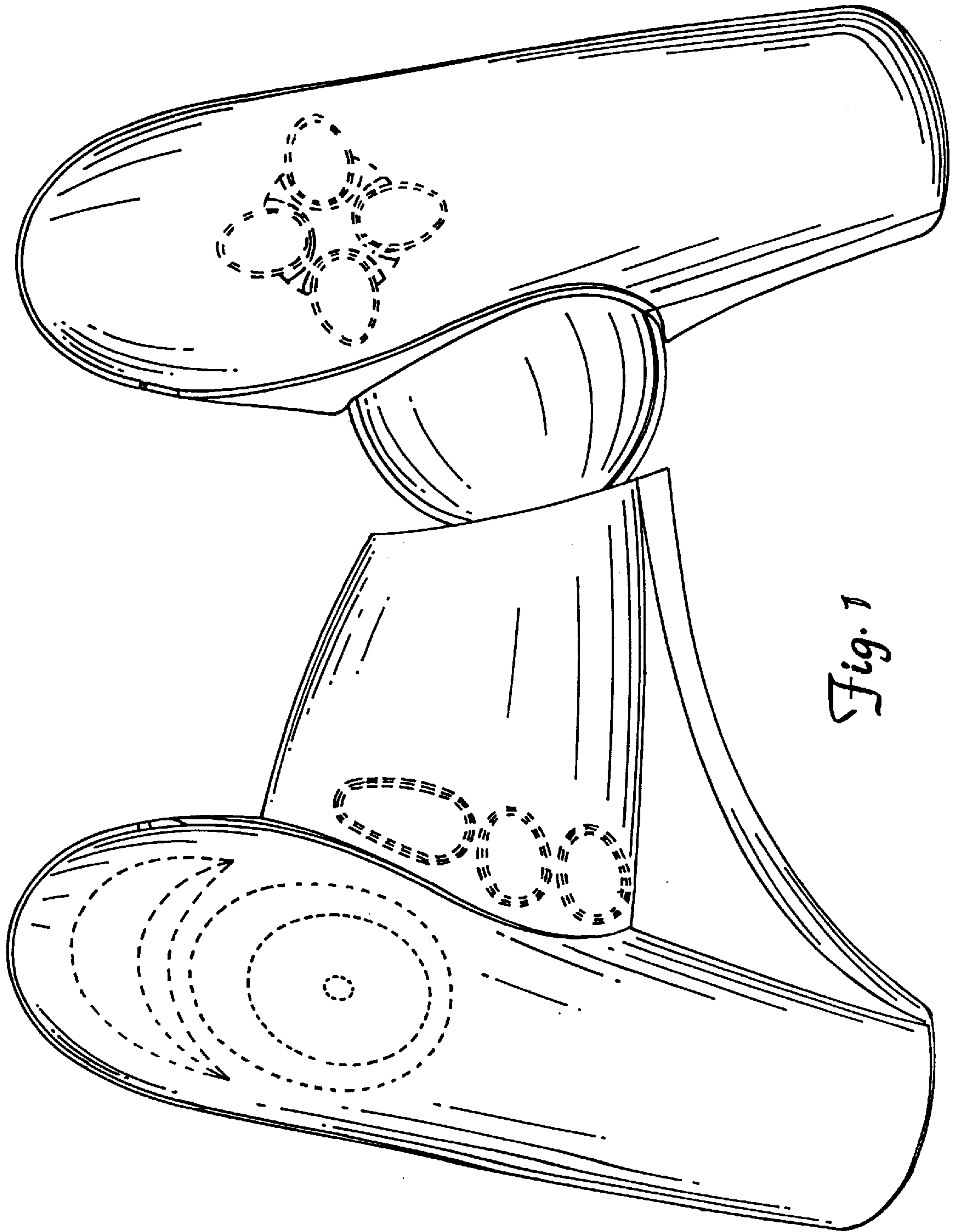


Fig. 1

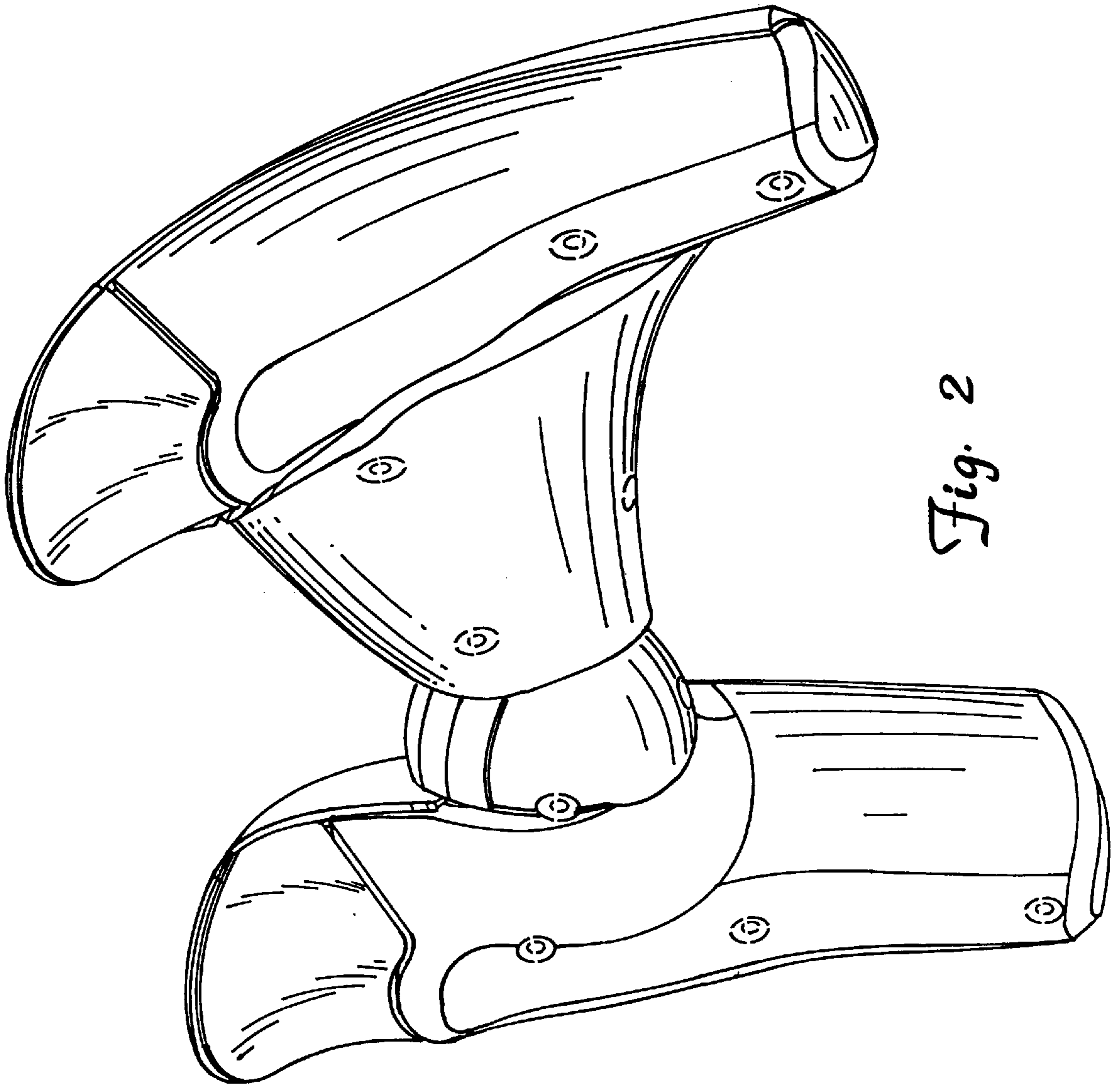


Fig. 2

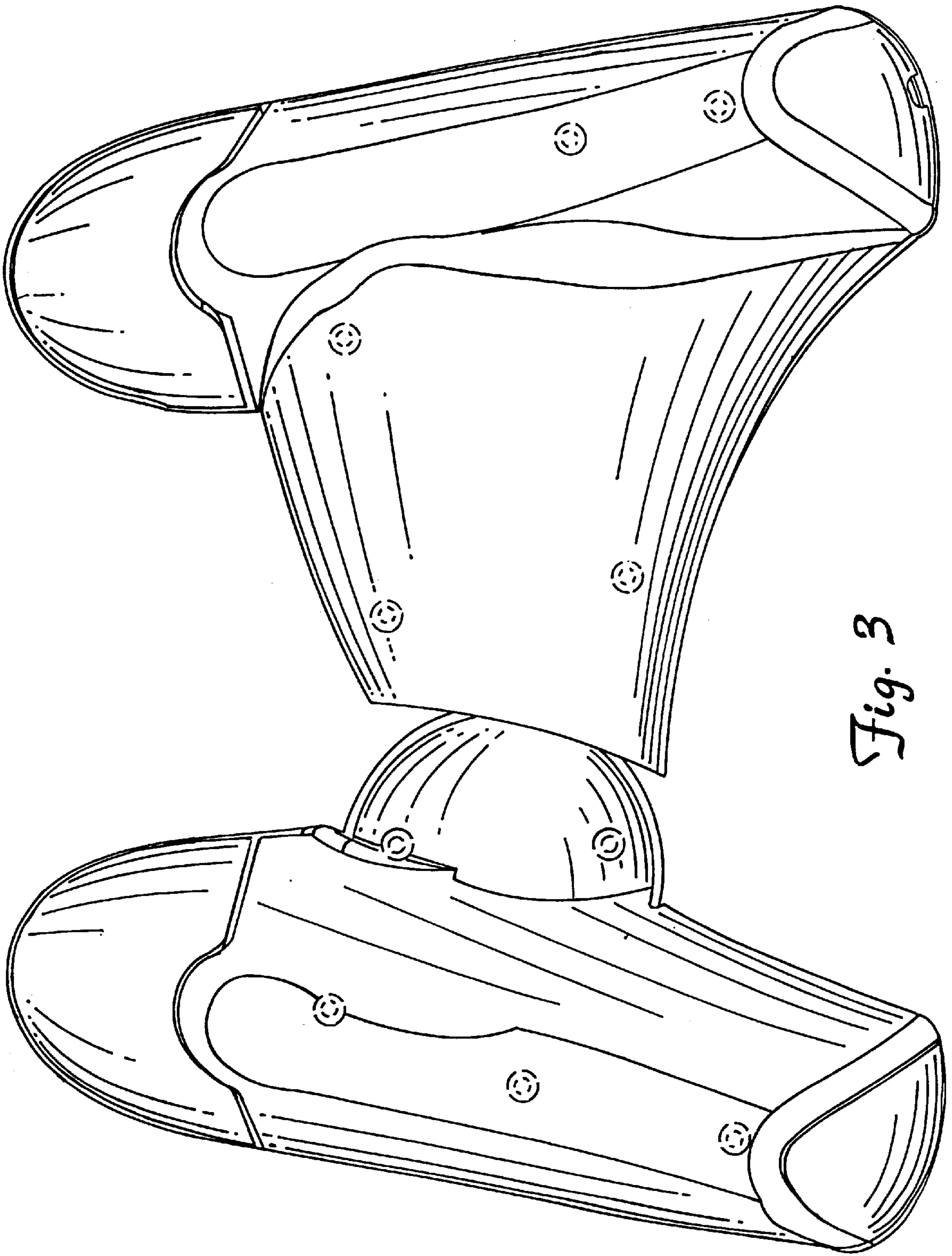


Fig. 3

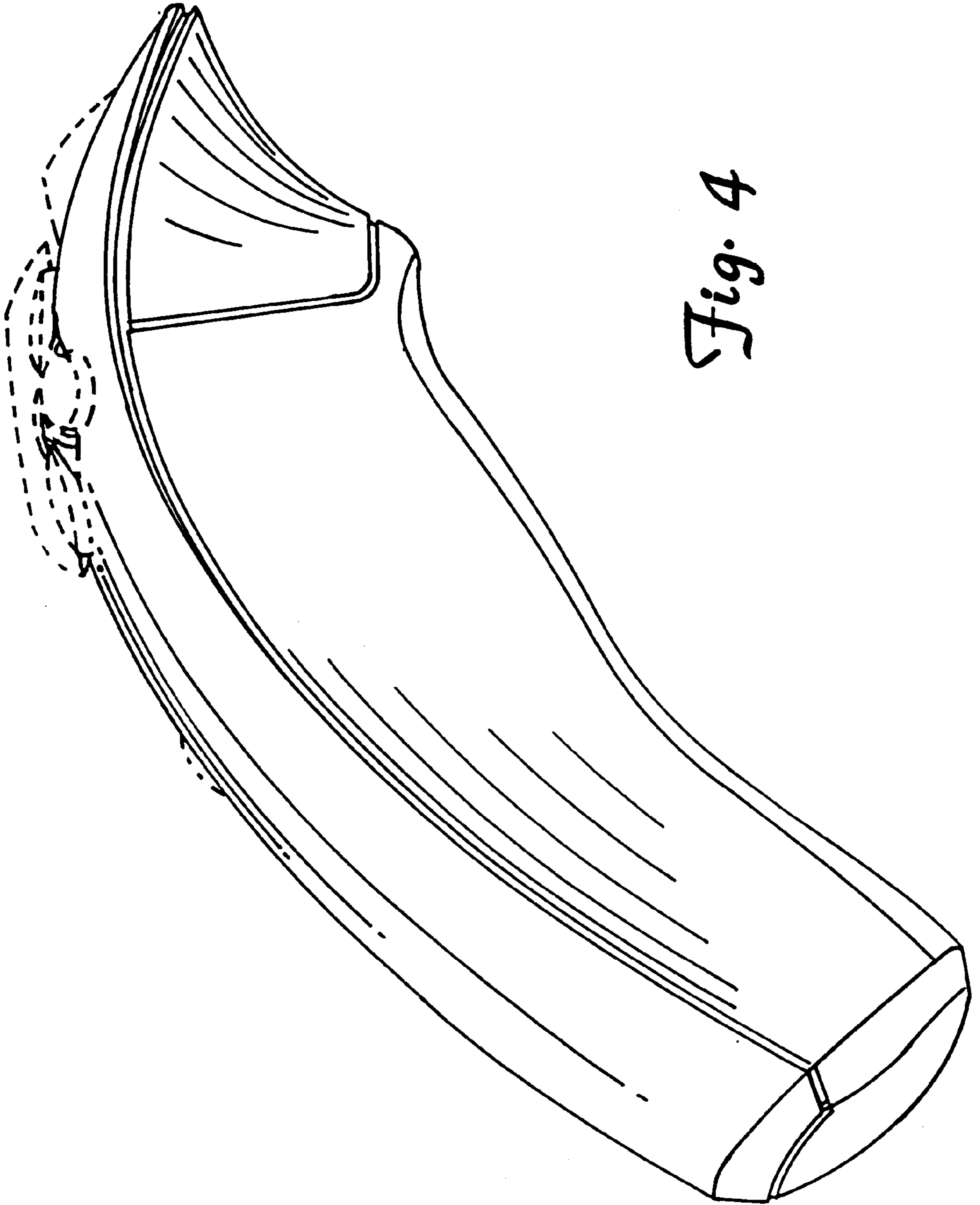


Fig. 4

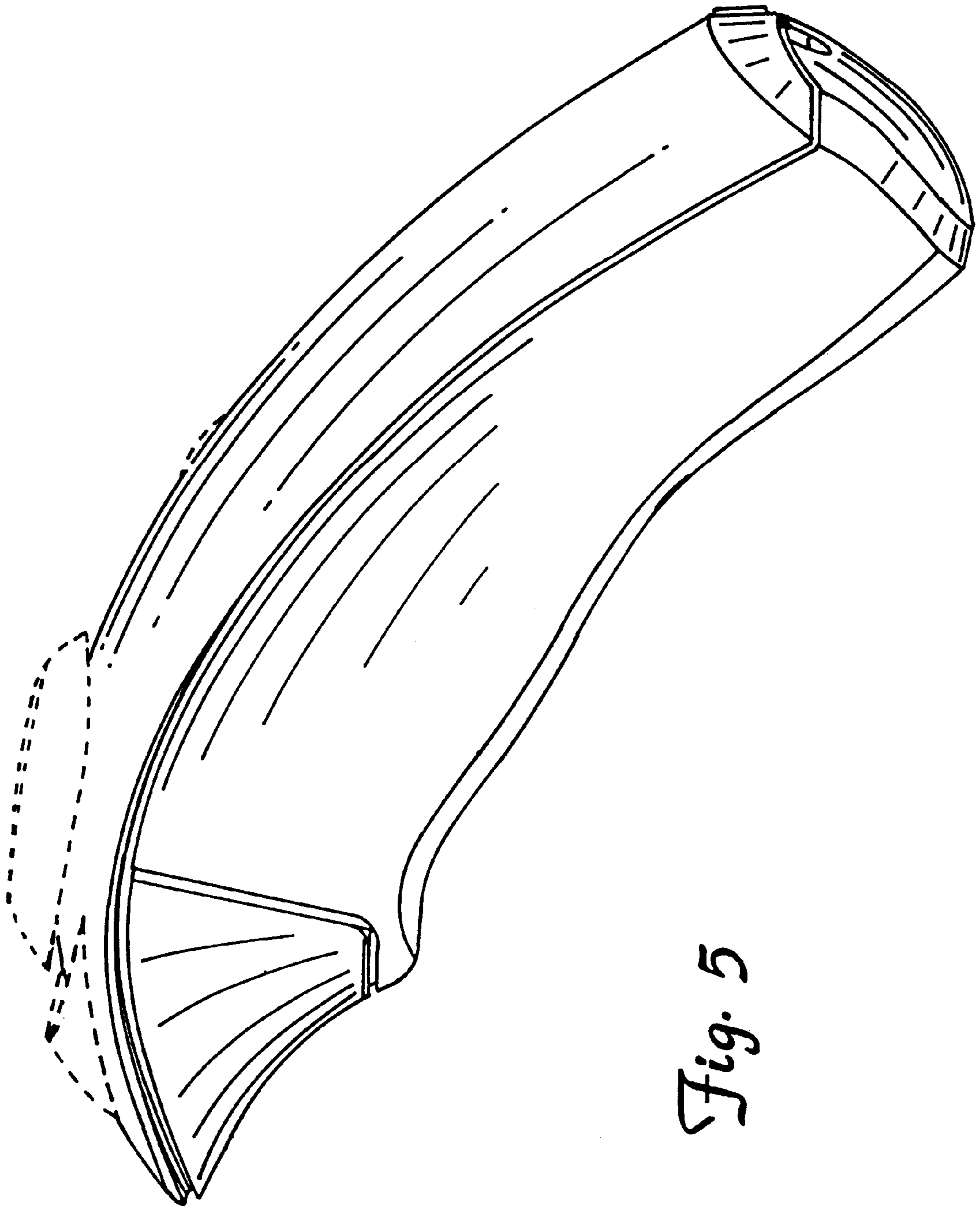


Fig. 5

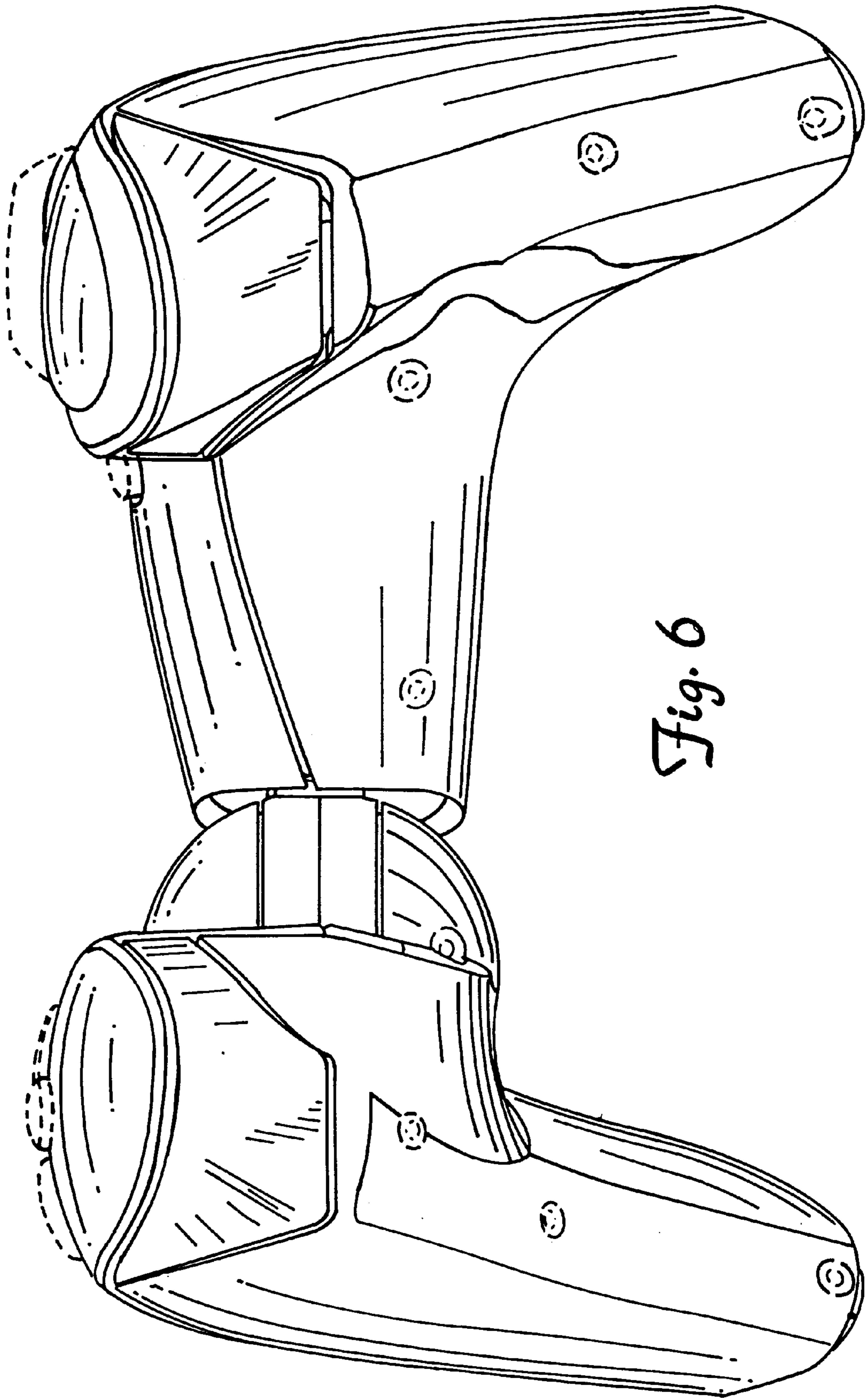


Fig. 6

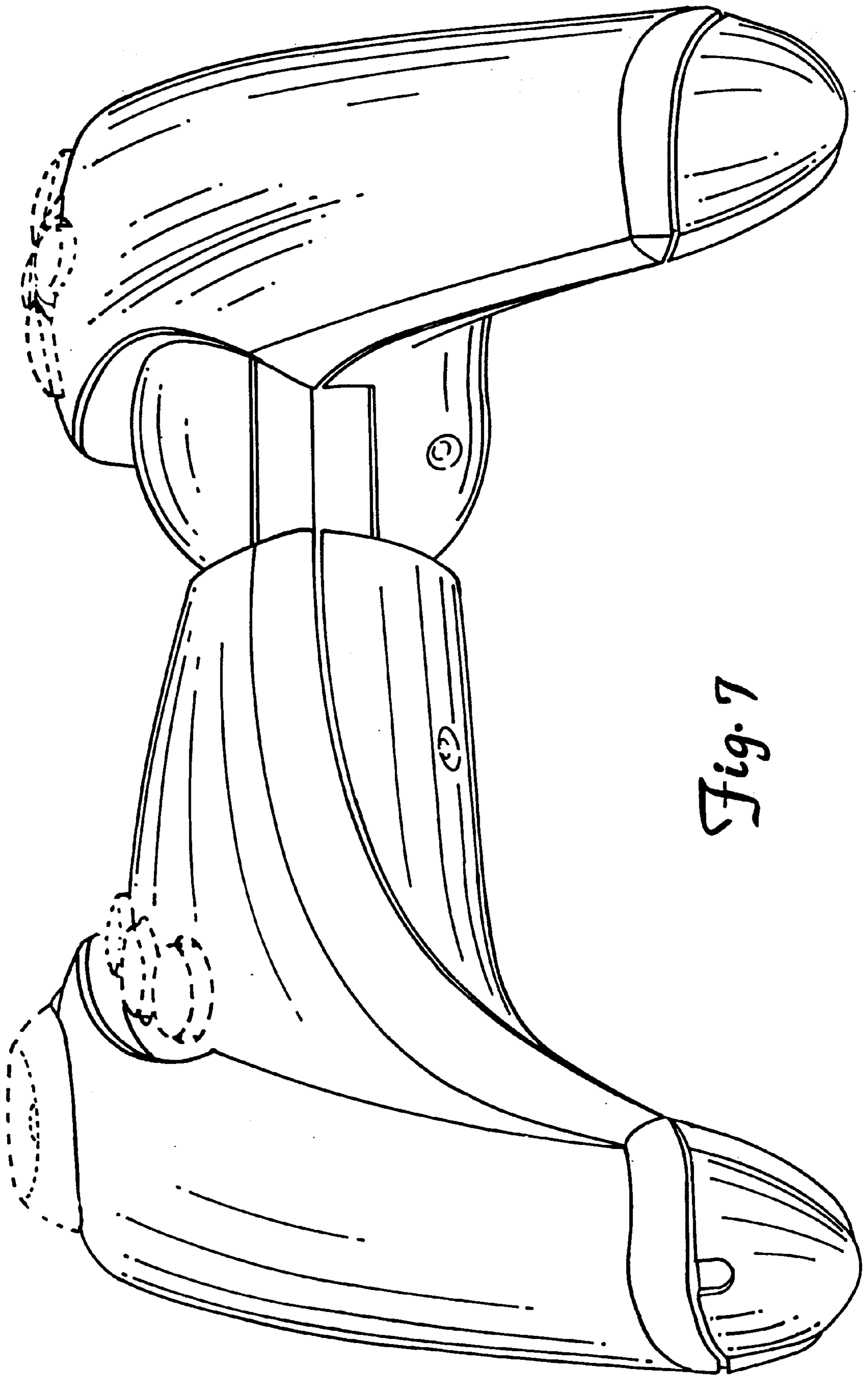


Fig. 7