



US00D422978S

# United States Patent [19]

Hirota

[11] Patent Number: Des. 422,978

[45] Date of Patent: \*\* Apr. 18, 2000

[54] CABINET FOR AN ELECTRONIC DISPLAY DEVICE

D. 393,462 4/1998 Morimiya ..... D14/126  
D. 394,248 5/1998 Duan ..... D14/113  
D. 403,309 12/1998 Takemasa et al. .... D14/113

[75] Inventor: Kashichi Hirota, Hachioji, Japan

Primary Examiner—Freda Nunn  
Attorney, Agent, or Firm—Frishauf, Holtz, Goodman,  
Langer & Chick, P.C.

[73] Assignee: Kyowa Electric & Chemical Co., Ltd.,  
Tokyo, Japan

[\*\*] Term: 14 Years

### [57] CLAIM

[21] Appl. No.: 29/102,925

The ornamental design for a cabinet for an electronic display device, as shown and described.

[22] Filed: Apr. 5, 1999

### DESCRIPTION

### [30] Foreign Application Priority Data

Oct. 8, 1998 [JP] Japan ..... 10-29036

FIG. 1 is a perspective view of the cabinet for an electronic display device embodying the present invention; FIG. 2 is a top plan view of the cabinet shown in FIG. 1; FIG. 3 is a bottom view of the cabinet shown in FIG. 1; FIG. 4 is a front view of the cabinet shown in FIG. 1; FIG. 5 is a rear view of the cabinet shown in FIG. 1; FIG. 6 is a right side view of the cabinet shown in FIG. 1; FIG. 7 is a fragmentary sectional view in an enlarged scale taken along the line 7—7 of FIG. 4; FIG. 8 is an enlarged sectional view taken along the line 8—8 of FIG. 4; and, FIG. 9 is an enlarged sectional view taken along the line 9—9 of FIG. 4.

[51] LOC (6) Cl. .... 14-02

[52] U.S. Cl. .... D14/113; D14/126

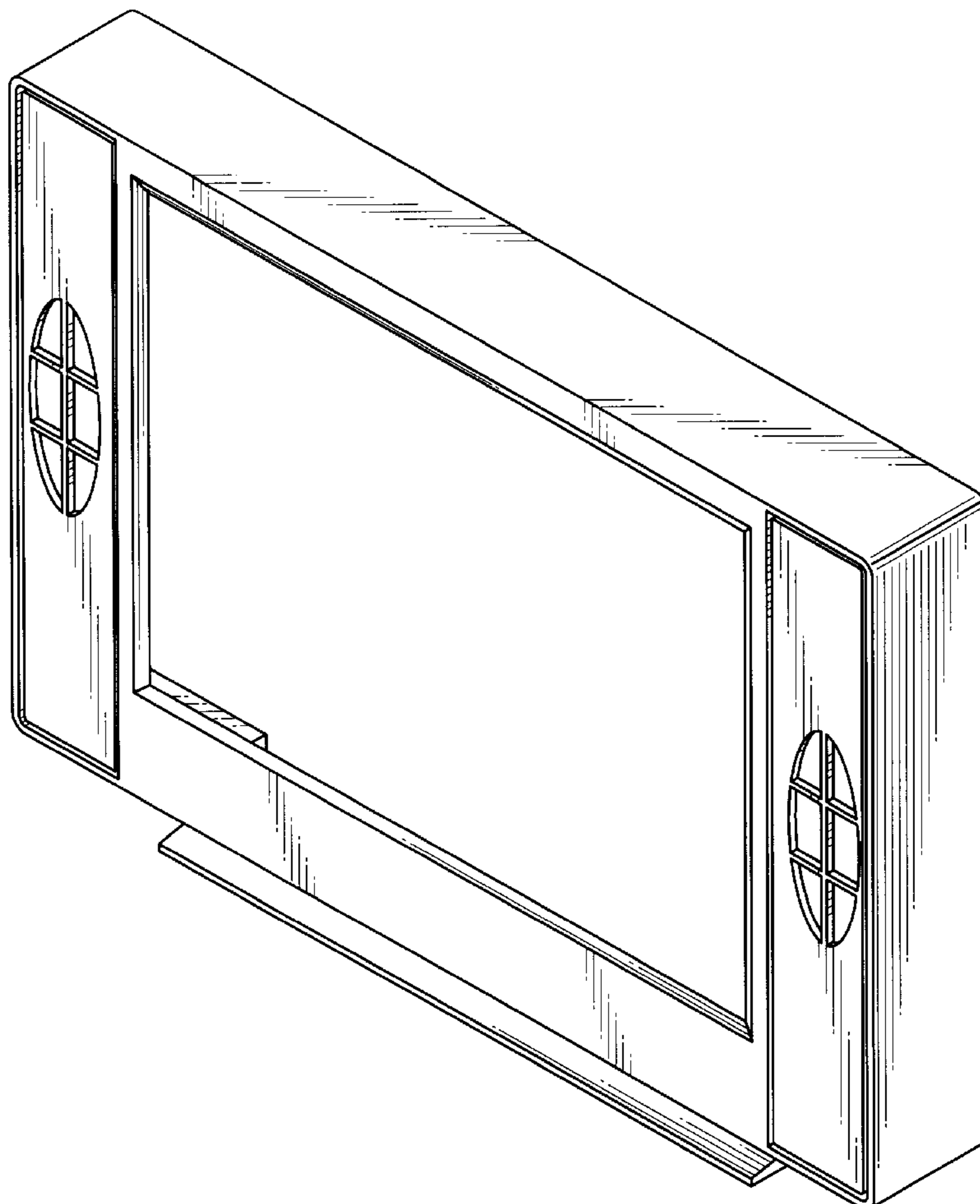
[58] Field of Search ..... D14/100, 106,  
D14/101, 113, 114, 126–129; 345/104,  
133, 156, 168, 173; 348/180, 184, 325;  
341/12; 349/1, 2, 11, 62; 248/918–924

### [56] References Cited

#### U.S. PATENT DOCUMENTS

D. 392,628 3/1998 Hayashi ..... D14/113

1 Claim, 4 Drawing Sheets



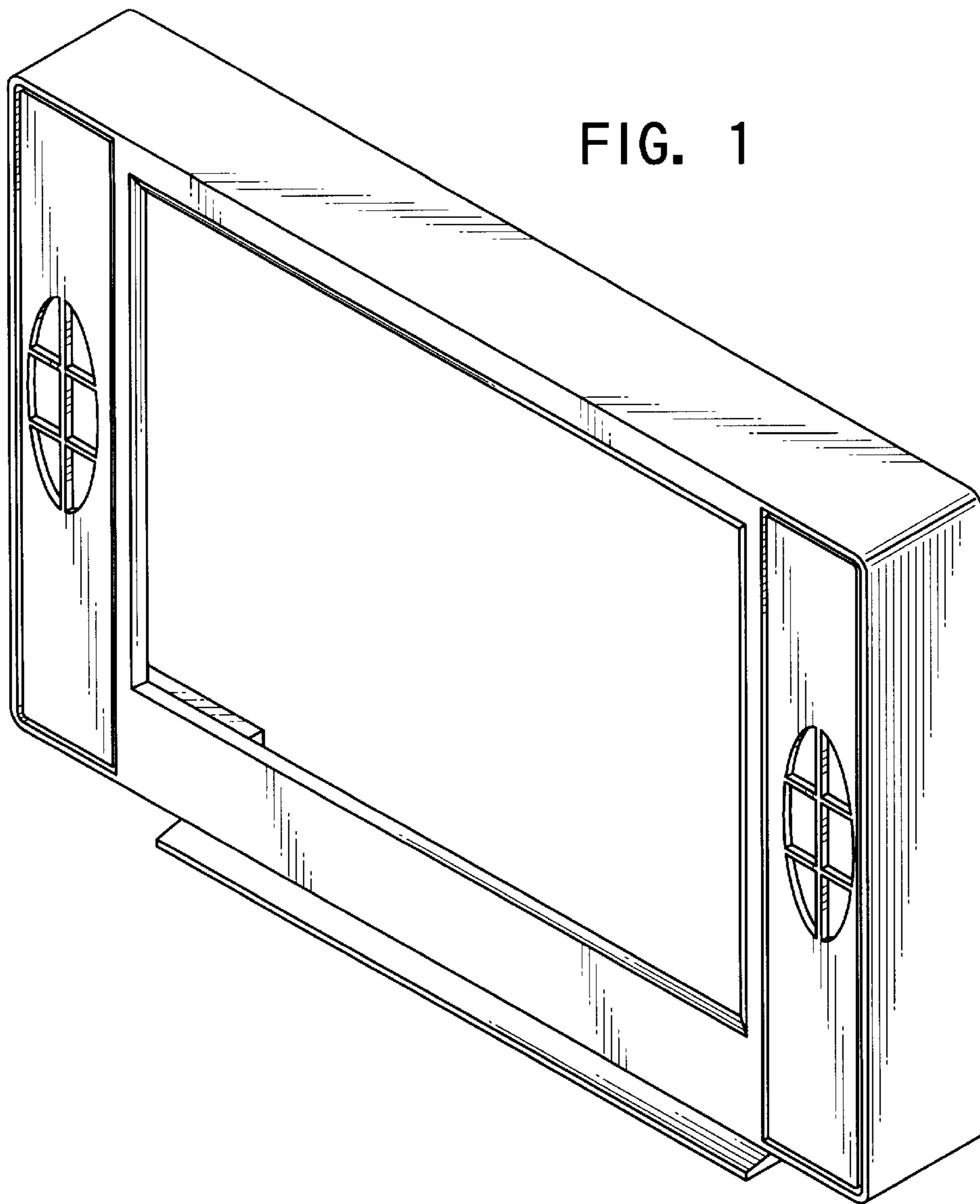


FIG. 2

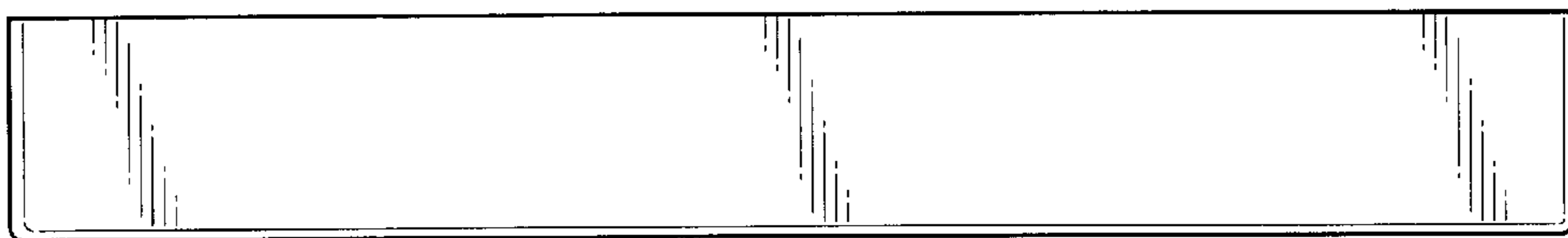


FIG. 3

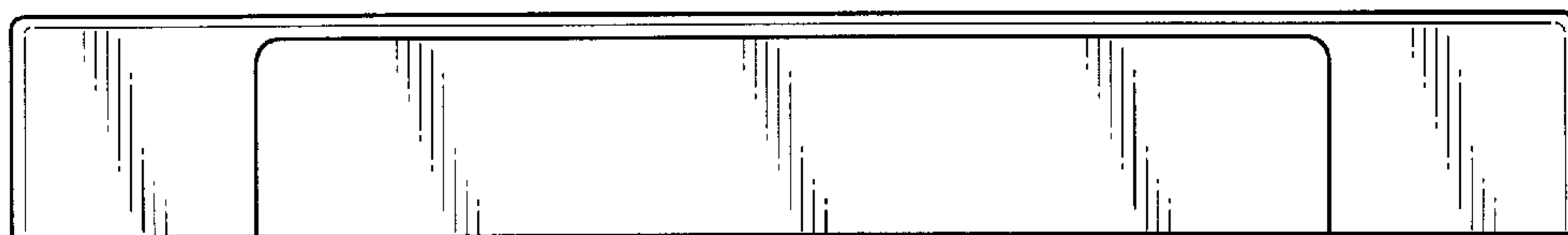


FIG. 4

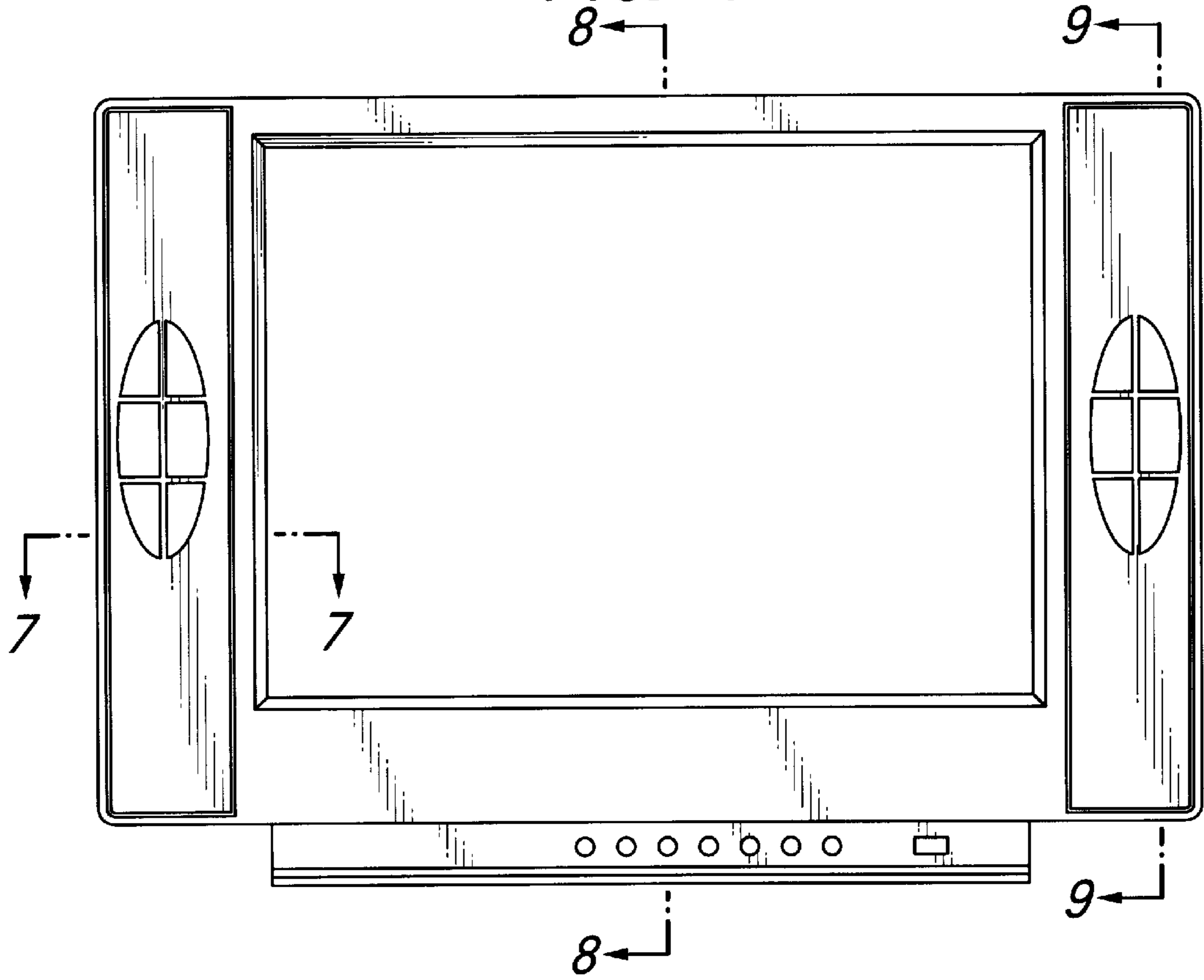


FIG. 5

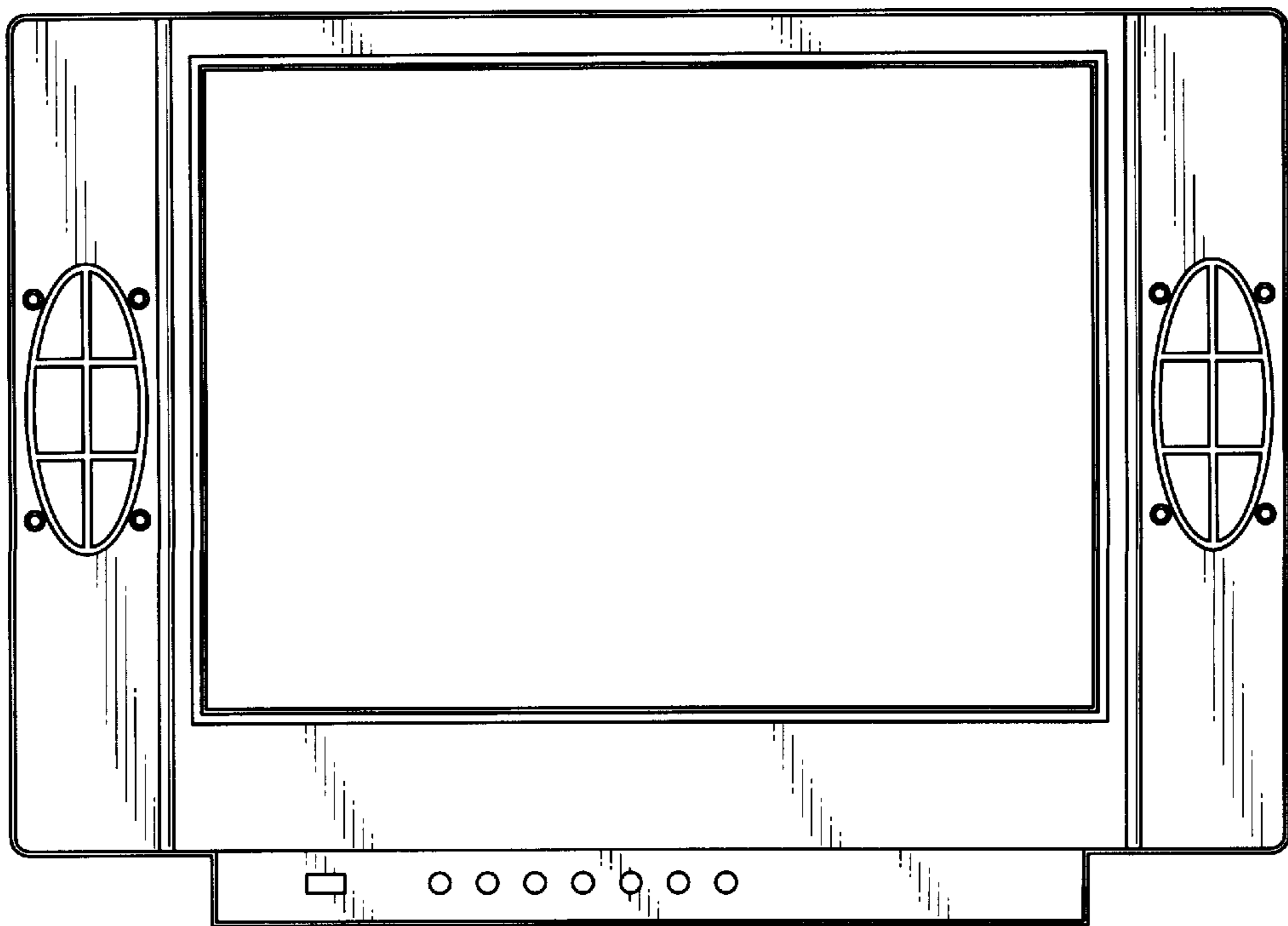


FIG. 6

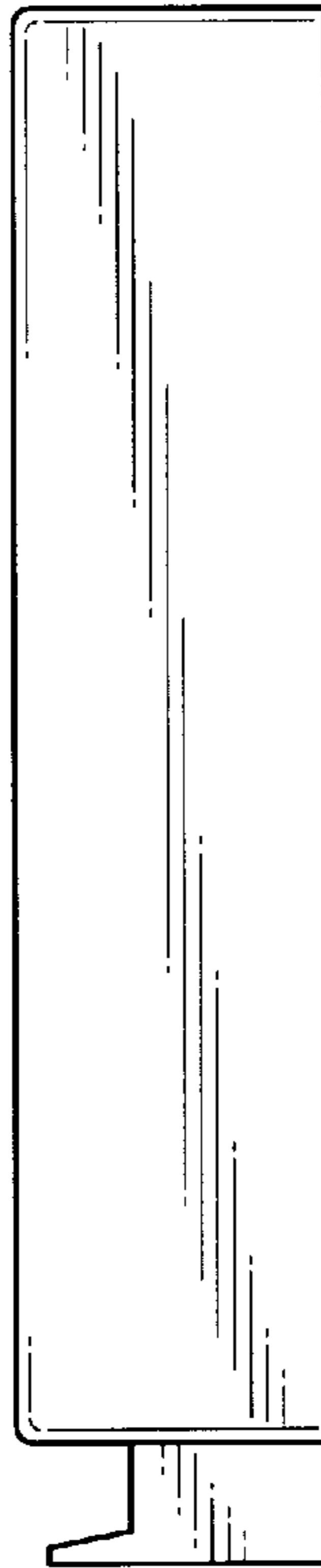


FIG. 7

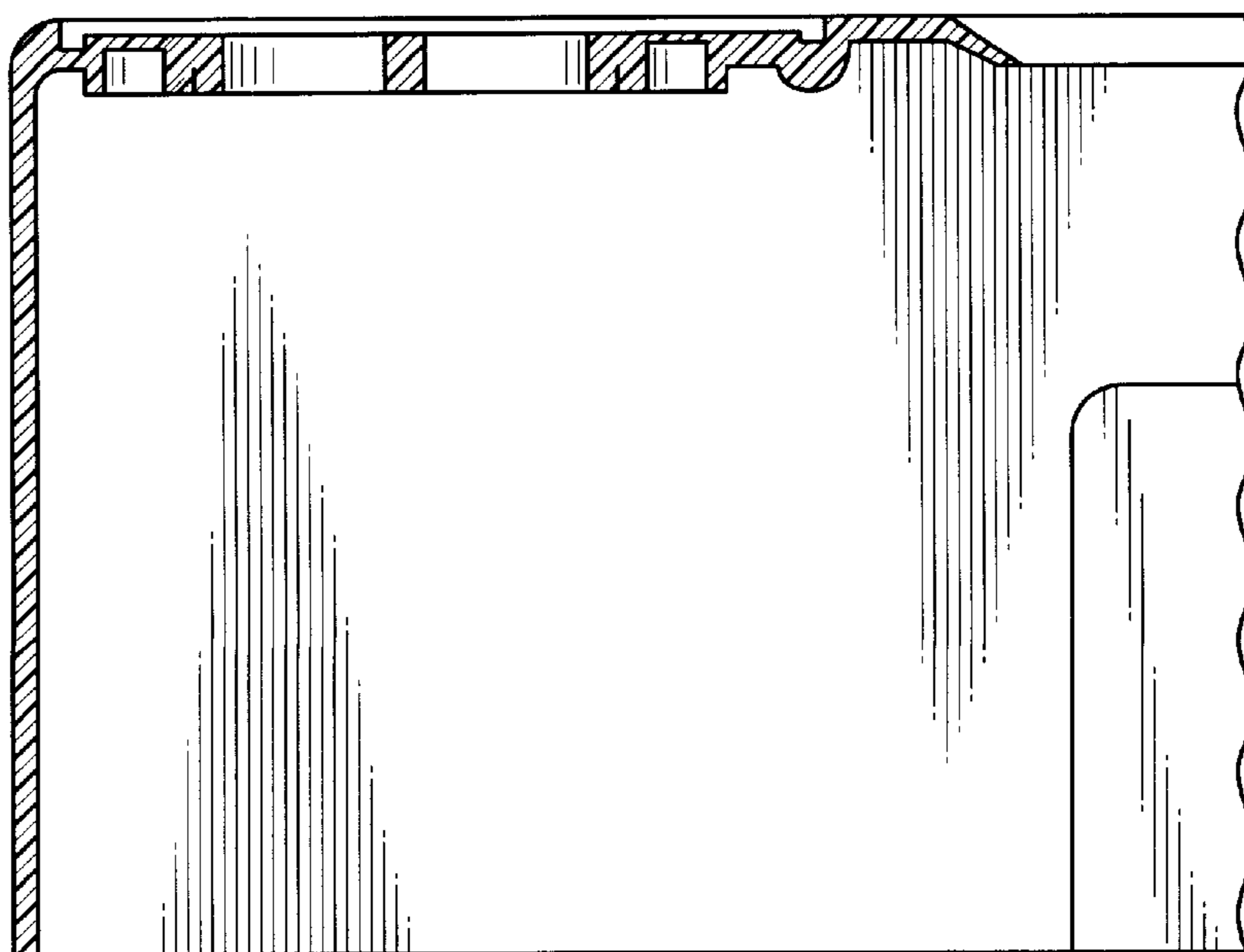


FIG. 8

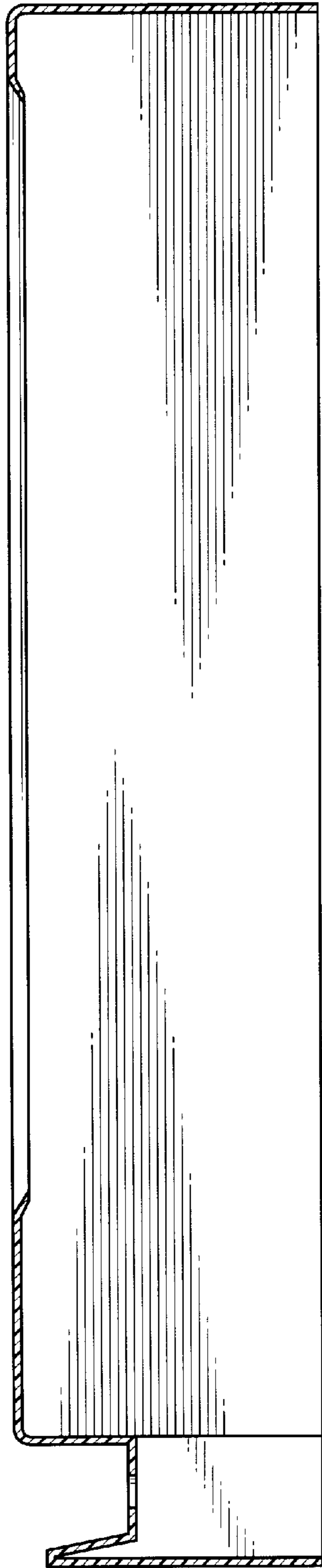


FIG. 9

