



US00D422974S

United States Patent [19] Imahashi et al.

[11] **Patent Number: Des. 422,974**

[45] **Date of Patent: ** Apr. 18, 2000**

[54] **PERSONAL COMPUTER**

[75] Inventors: **Kouichi Imahashi; Jun Katsunuma,**
both of Tokyo, Japan

[73] Assignee: **NEC Corporation,** Tokyo, Japan

[**] Term: **14 Years**

[21] Appl. No.: **29/105,735**

[22] Filed: **Jun. 1, 1999**

[30] **Foreign Application Priority Data**

Dec. 3, 1998 [JP] Japan 10-35091

[51] **LOC (6) Cl.** **14-02**

[52] **U.S. Cl.** **D14/100; D14/126; D14/113**

[58] **Field of Search** D14/100, 101,
D14/106, 113, 124-129; 345/104, 133,
156, 168, 87, 173; 348/180, 184, 325, 739

[56] **References Cited**

U.S. PATENT DOCUMENTS

D. 363,467 10/1995 Takahashi D14/100

D. 383,733 9/1997 Miki D14/100
D. 406,824 3/1999 Minemoto et al. D14/100
D. 409,163 5/1999 Maruyama et al. D14/100

Primary Examiner—Freda Nunn
Attorney, Agent, or Firm—Sughrue, Mion, Zinn, Macpeak
& Seas, PLLC

[57] **CLAIM**

The ornamental design for a personal computer, as shown.

DESCRIPTION

FIG. 1 is a perspective view of the top, front and right side of a personal computer showing our new design;

FIG. 2 is a front elevational view thereof;

FIG. 3 is a rear elevational view thereof;

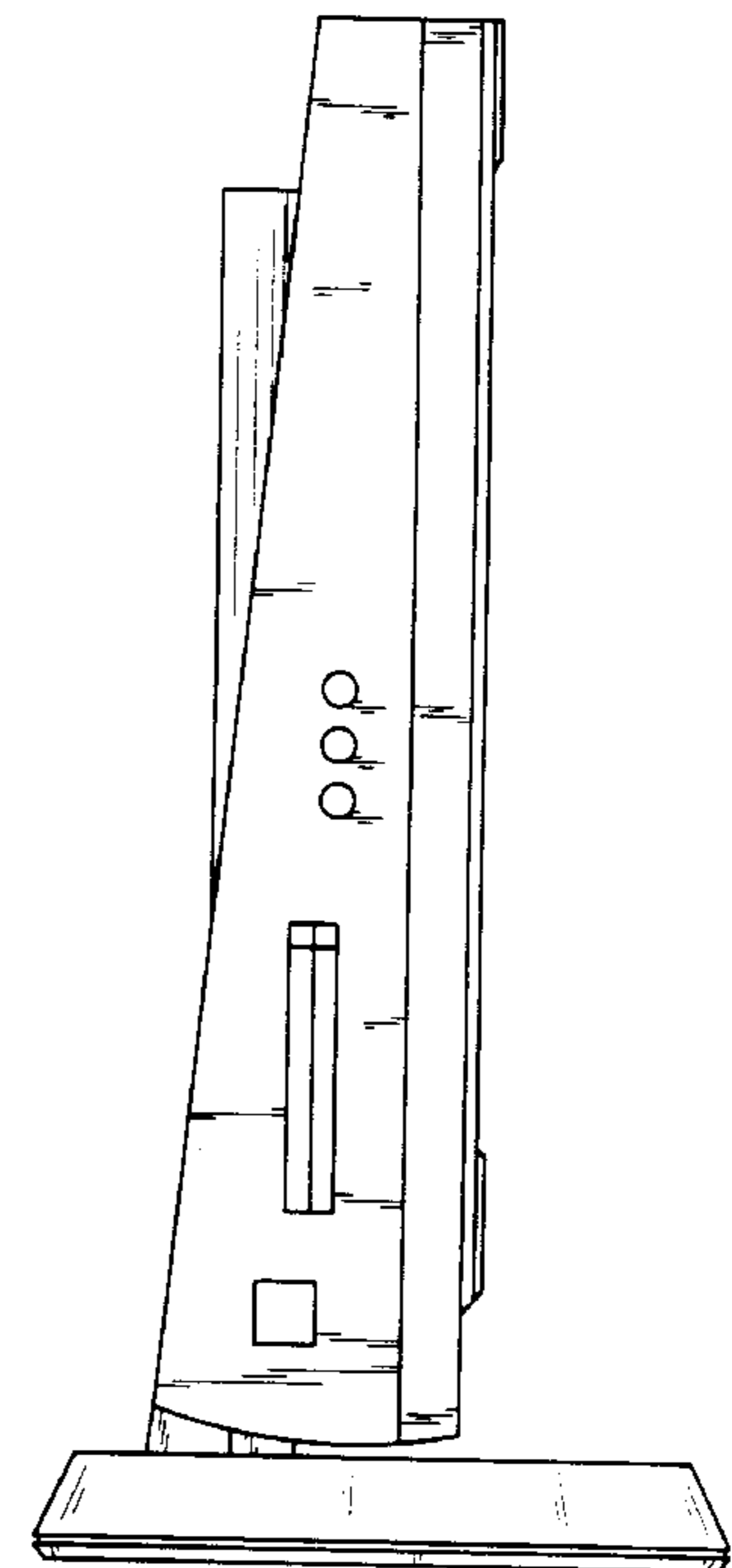
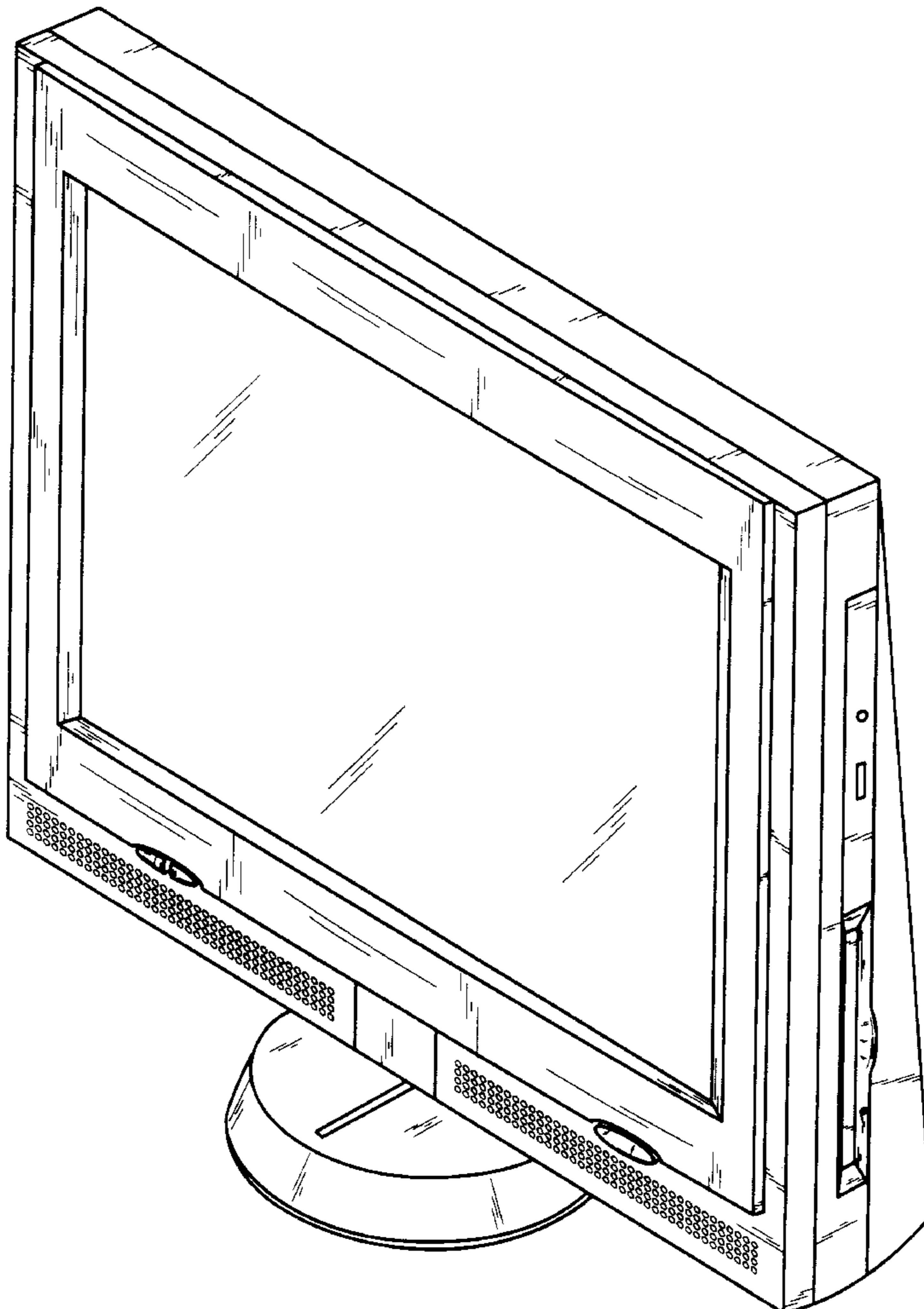
FIG. 4 is a right side elevational view thereof;

FIG. 5 is a left side elevational view thereof;

FIG. 6 is a top plan view thereof; and,

FIG. 7 is a bottom plan view thereof.

1 Claim, 5 Drawing Sheets



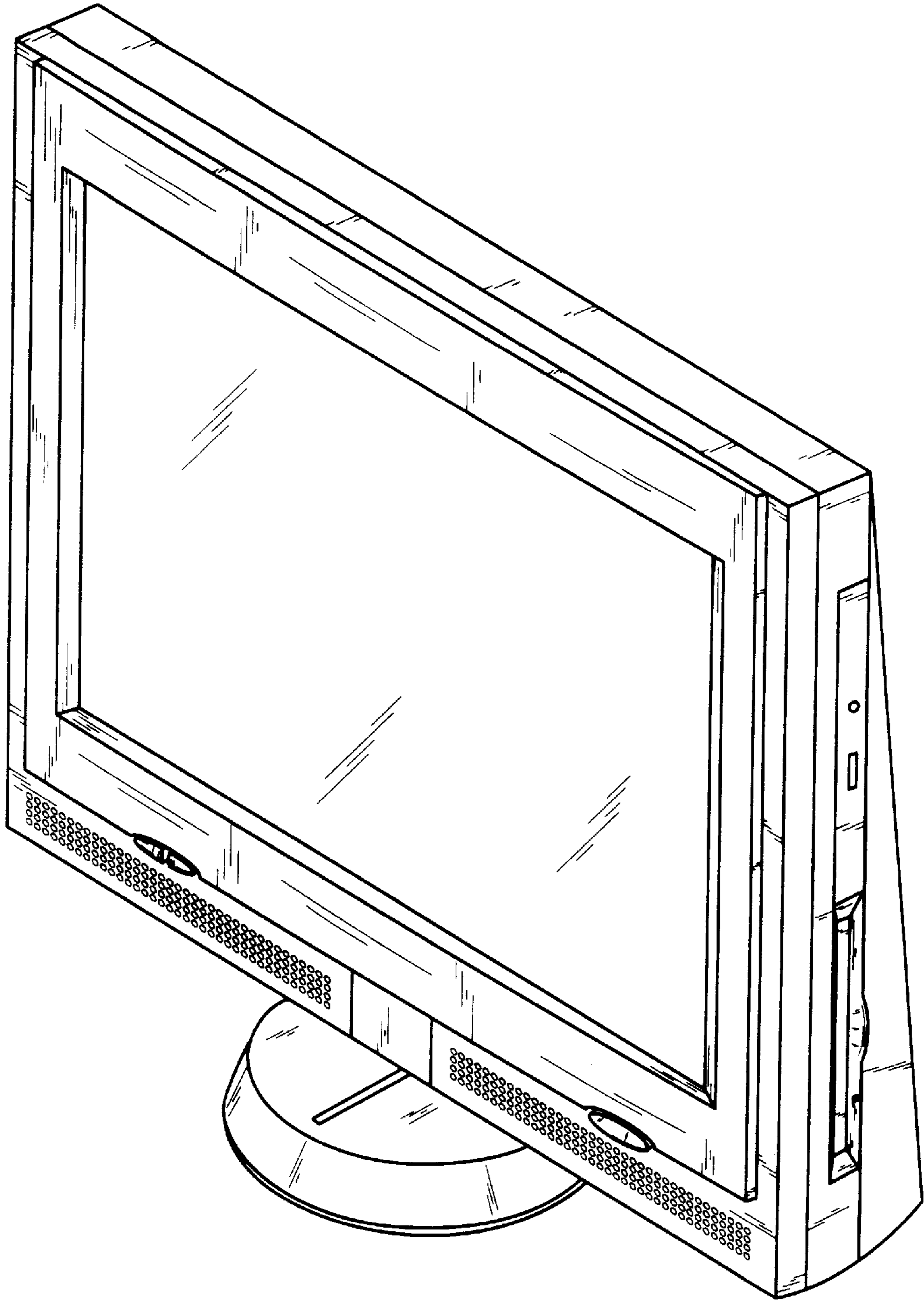


Fig. 1

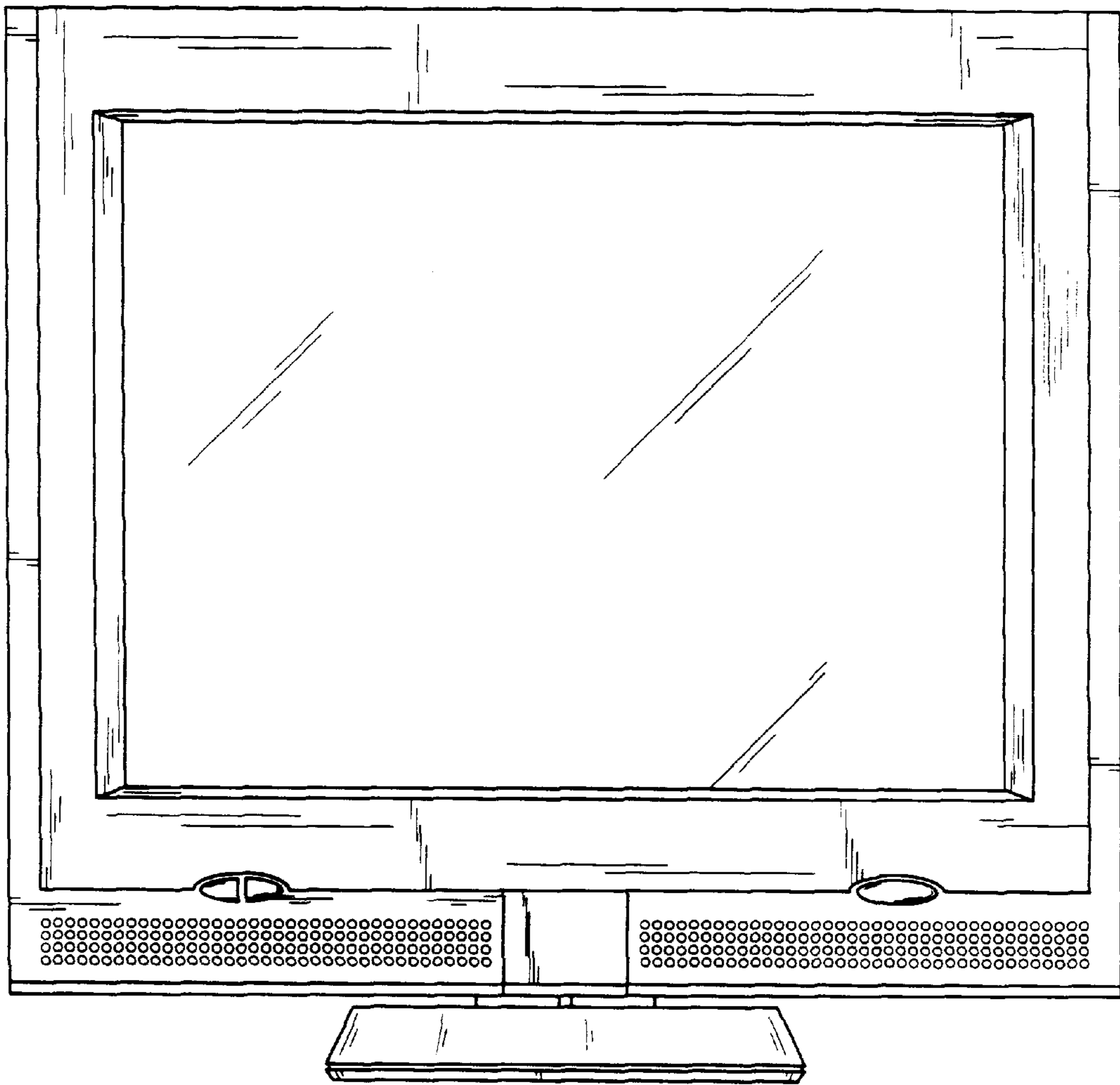


Fig. 2

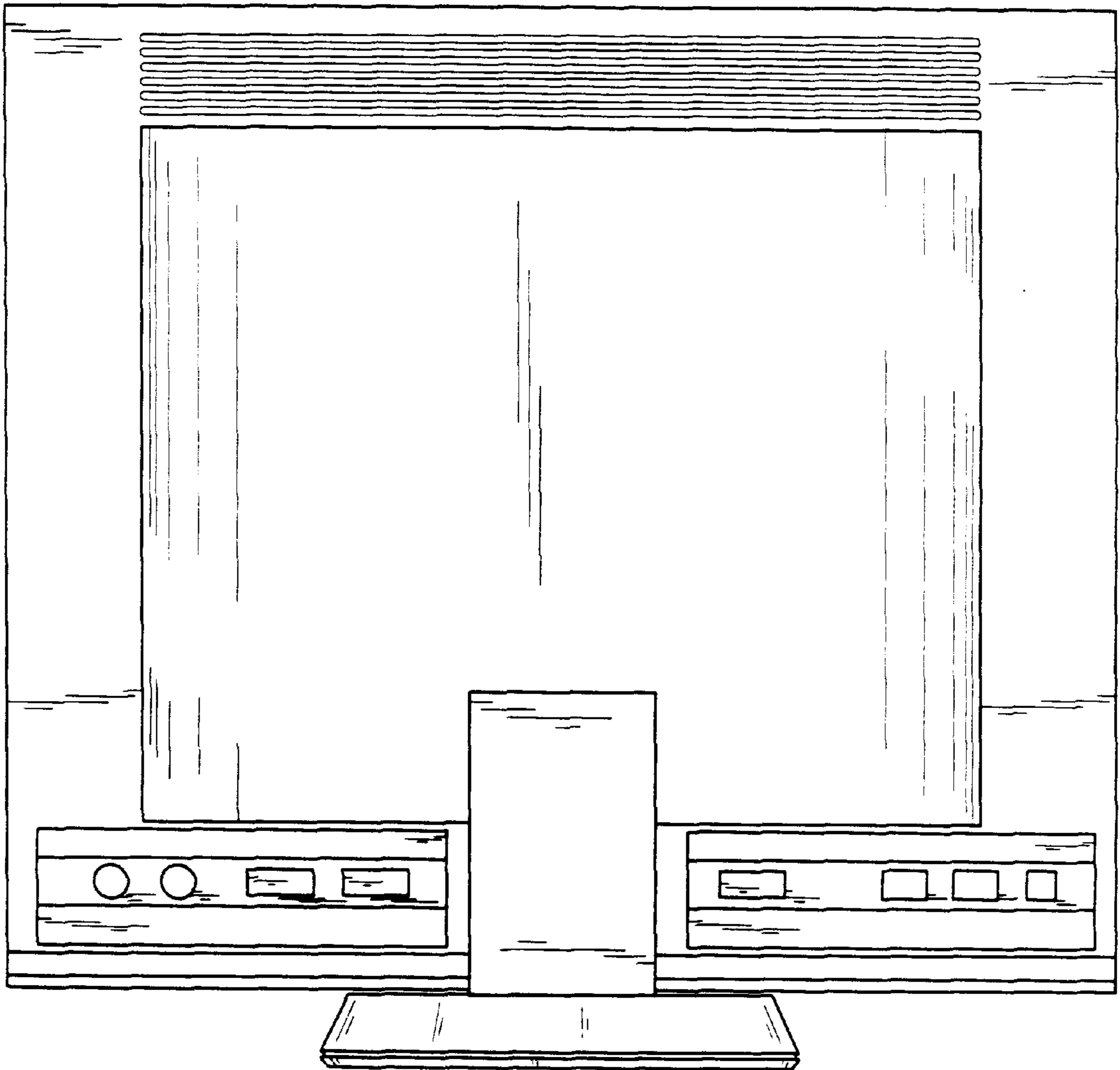


Fig. 3

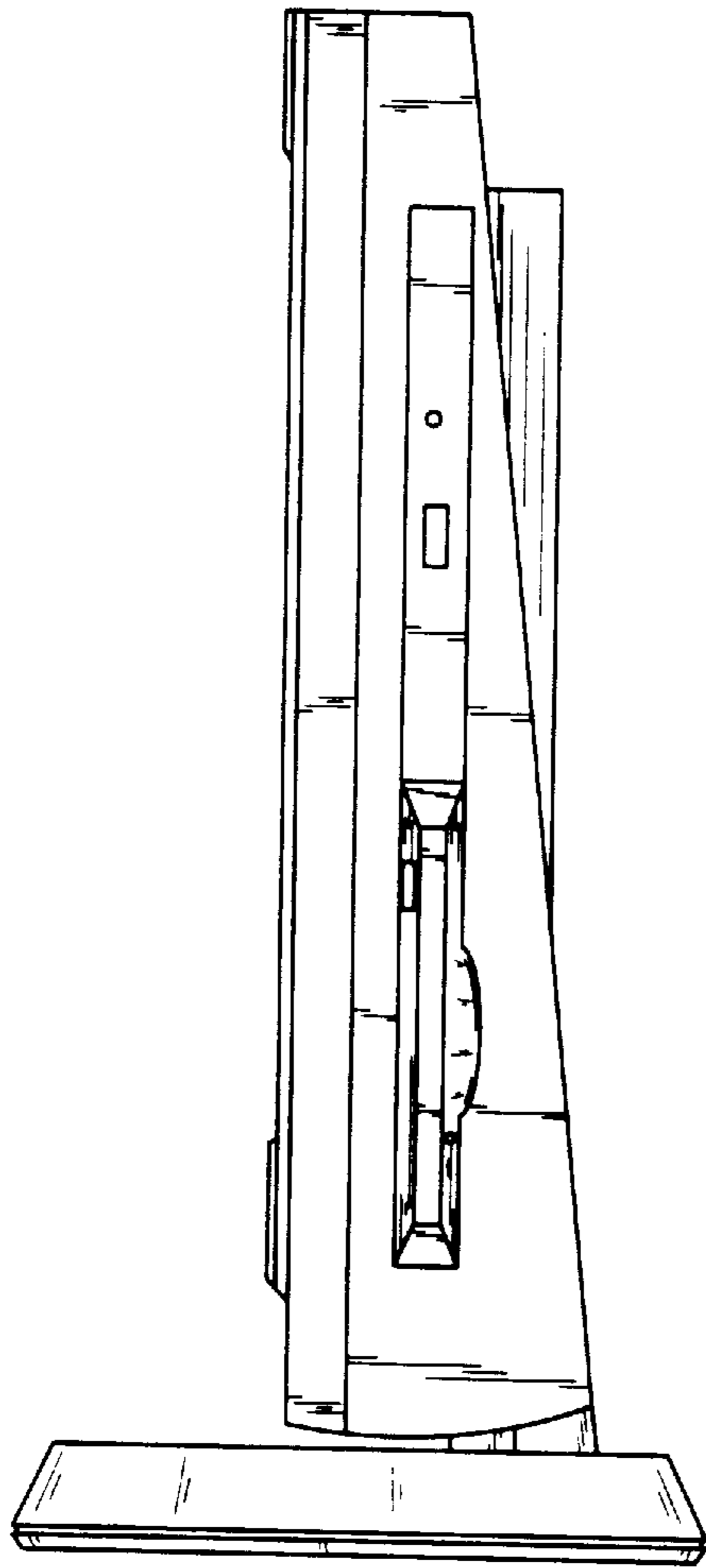


Fig. 4

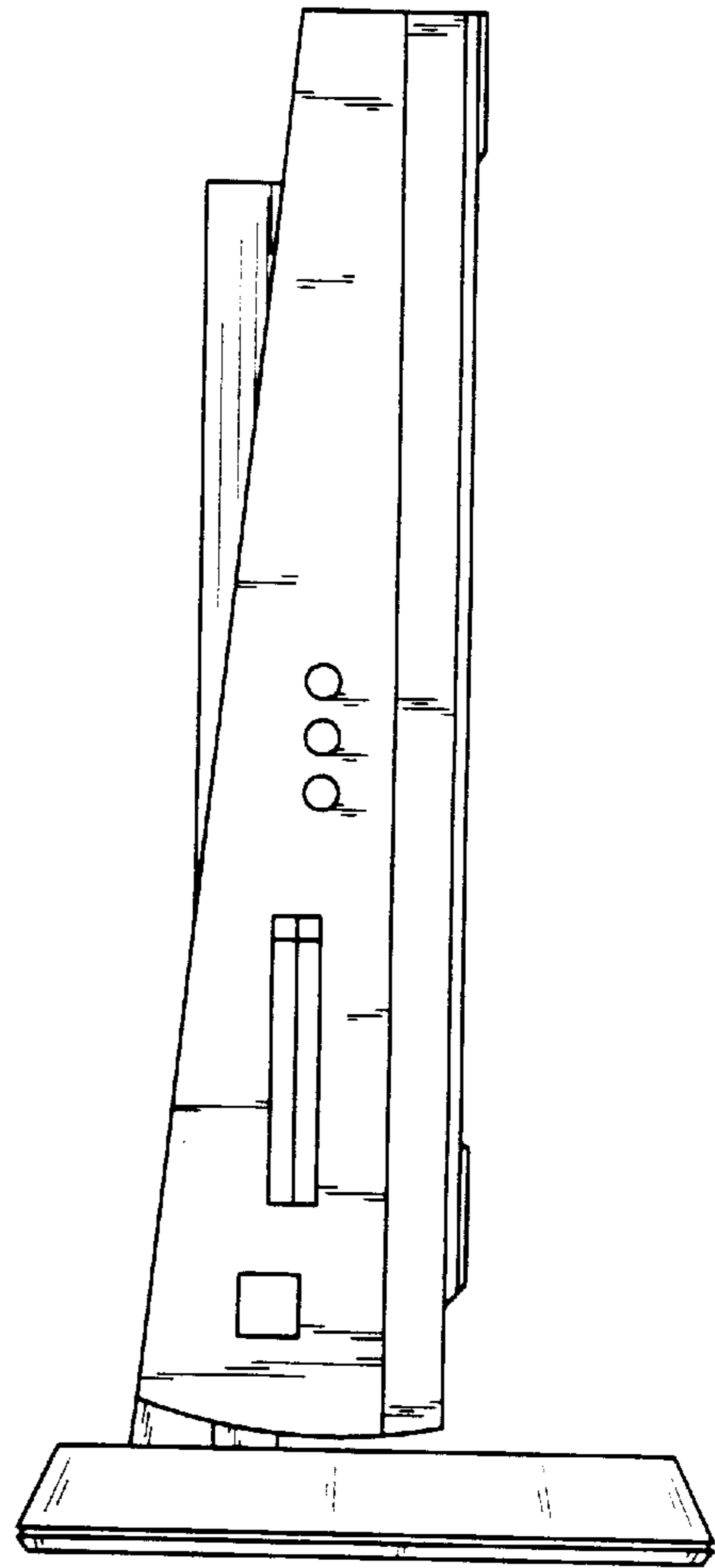


Fig. 5

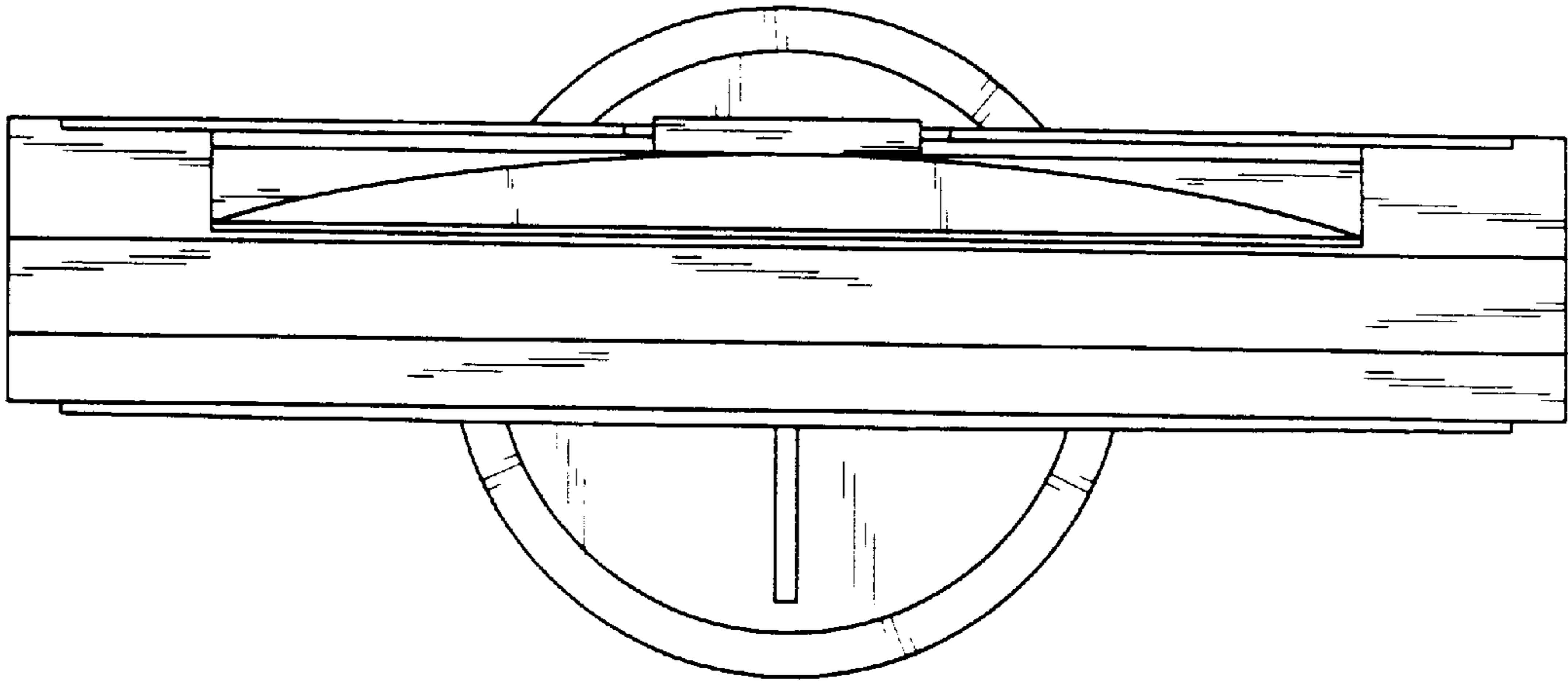


Fig. 6

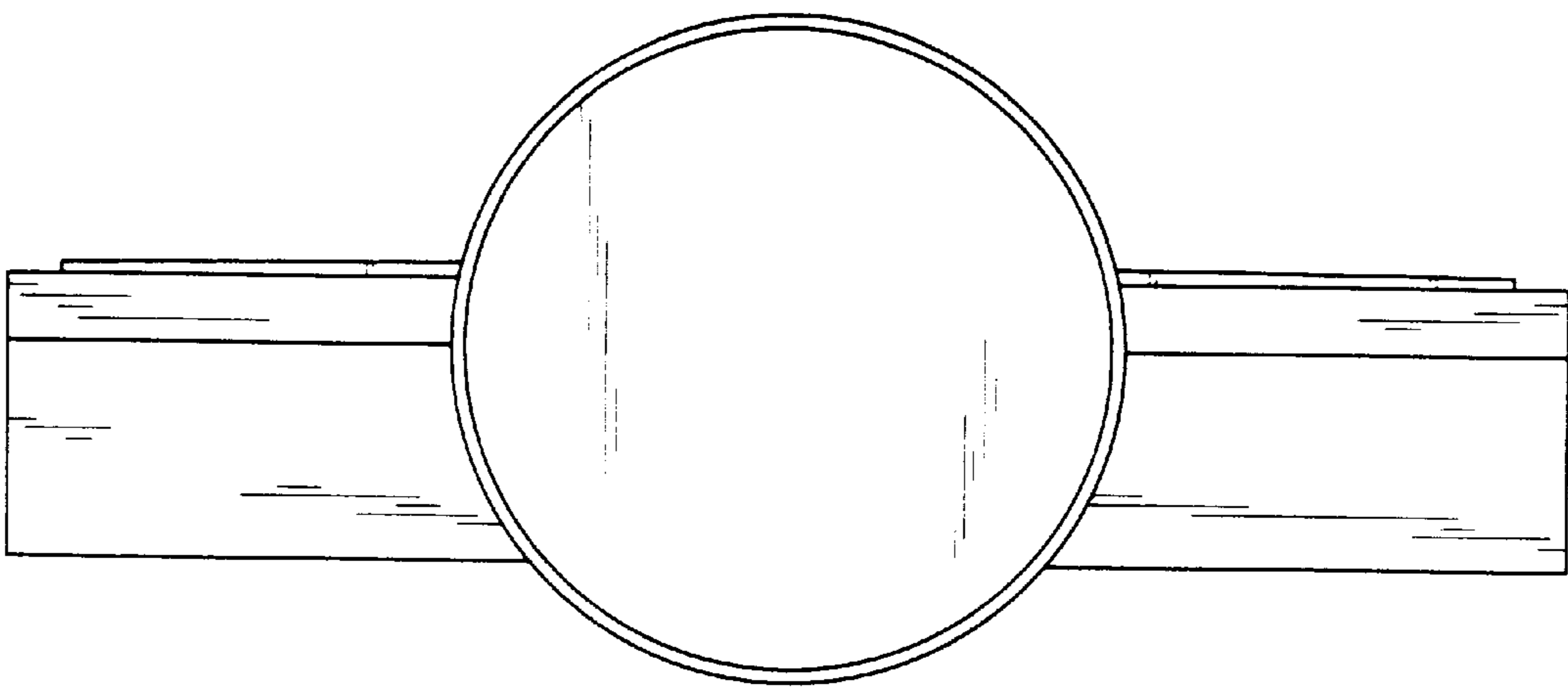


Fig. 7