



US00D422973S

# United States Patent [19]

Imahashi et al.

[11] **Patent Number: Des. 422,973**

[45] **Date of Patent: \*\* Apr. 18, 2000**

[54] **PERSONAL COMPUTER**

[75] Inventors: **Kouichi Imahashi; Jun Katsunuma,**  
both of Tokyo, Japan

[73] Assignee: **NEC Corporation,** Tokyo, Japan

[\*\*] Term: **14 Years**

[21] Appl. No.: **29/105,734**

[22] Filed: **Jun. 1, 1999**

[30] **Foreign Application Priority Data**

Dec. 3, 1998 [JP] Japan ..... 10-35092

[51] **LOC (6) Cl.** ..... **14-02**

[52] **U.S. Cl.** ..... **D14/100**

[58] **Field of Search** ..... D14/100, 101,  
D14/106, 113, 124-129; 345/104, 133,  
156, 168, 87, 173; 348/180, 184, 325, 739

[56] **References Cited**

**U.S. PATENT DOCUMENTS**

D. 363,467 10/1995 Takahashi ..... D14/100

D. 383,733 9/1997 Miki ..... D14/100  
D. 406,824 3/1999 Minemoto et al. .... D14/100  
D. 409,163 5/1999 Maruyama et al. .... D14/100

*Primary Examiner*—Freda Nunn

*Attorney, Agent, or Firm*—Sughrue, Mion, Zinn Macpeak & Seas, PLLC

[57] **CLAIM**

The ornamental design for a personal computer, as shown.

**DESCRIPTION**

FIG. 1 is a perspective view of the top, front and right side of a personal computer showing our new design;

FIG. 2 is a front elevational view thereof;

FIG. 3 is a rear elevational view thereof;

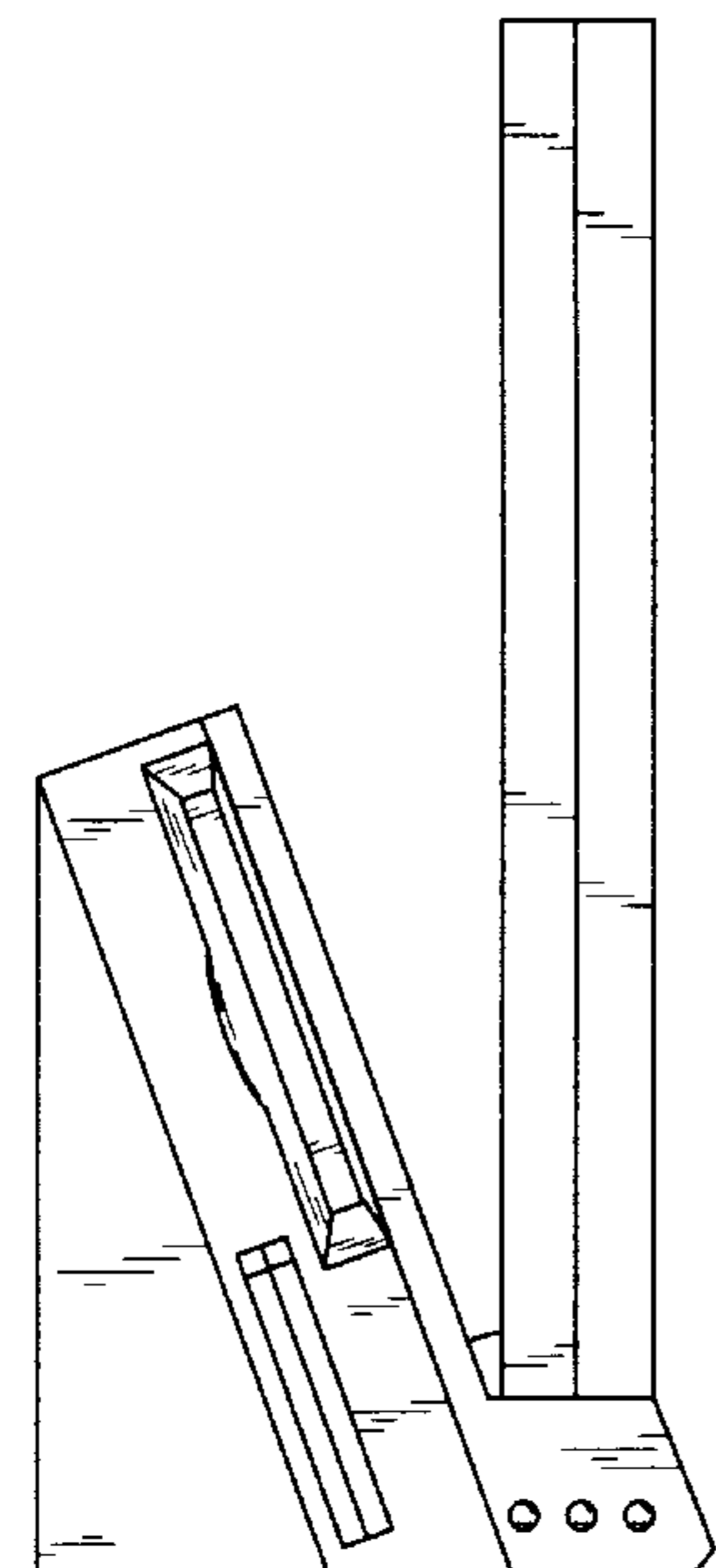
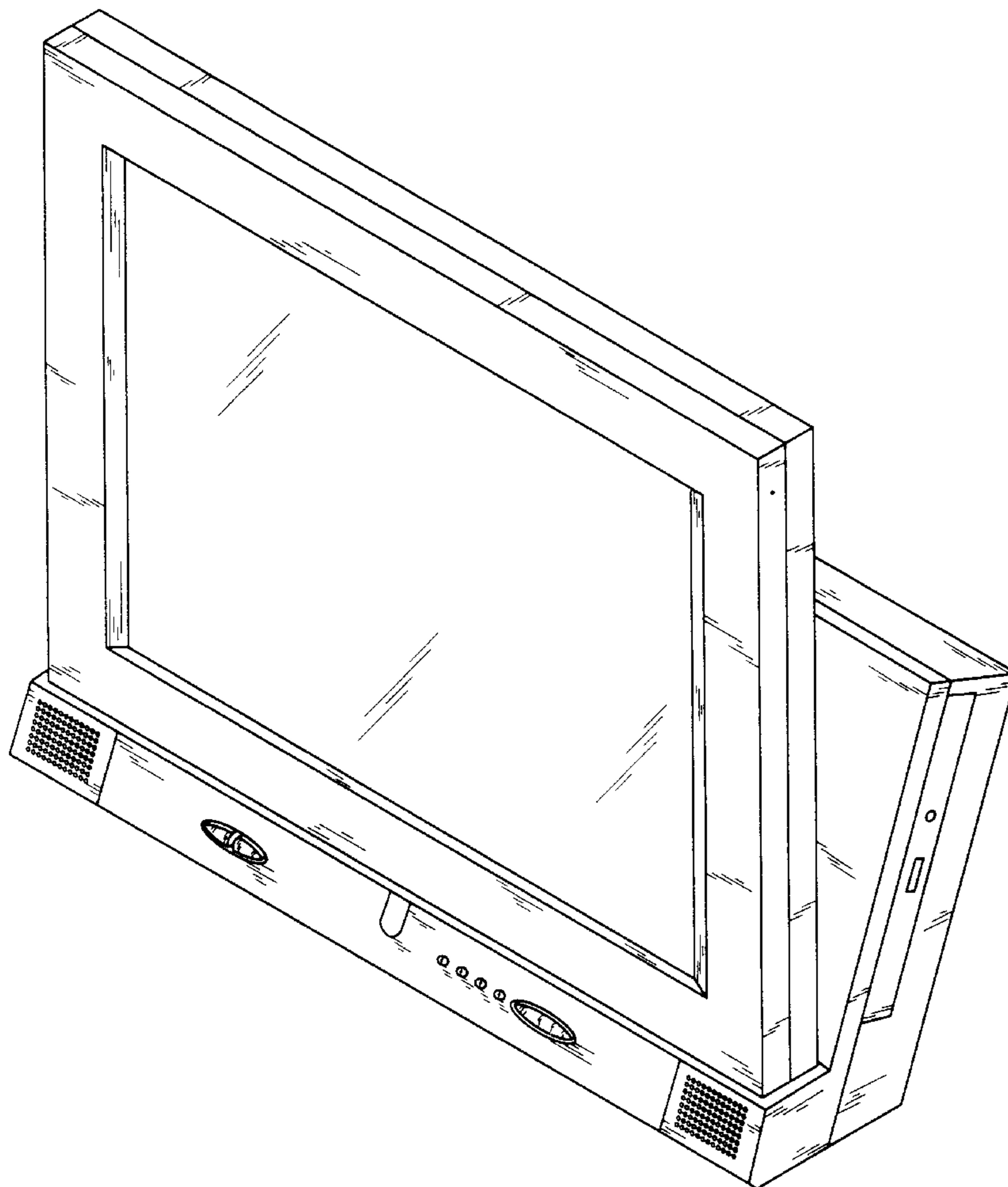
FIG. 4 is a right side elevational view thereof;

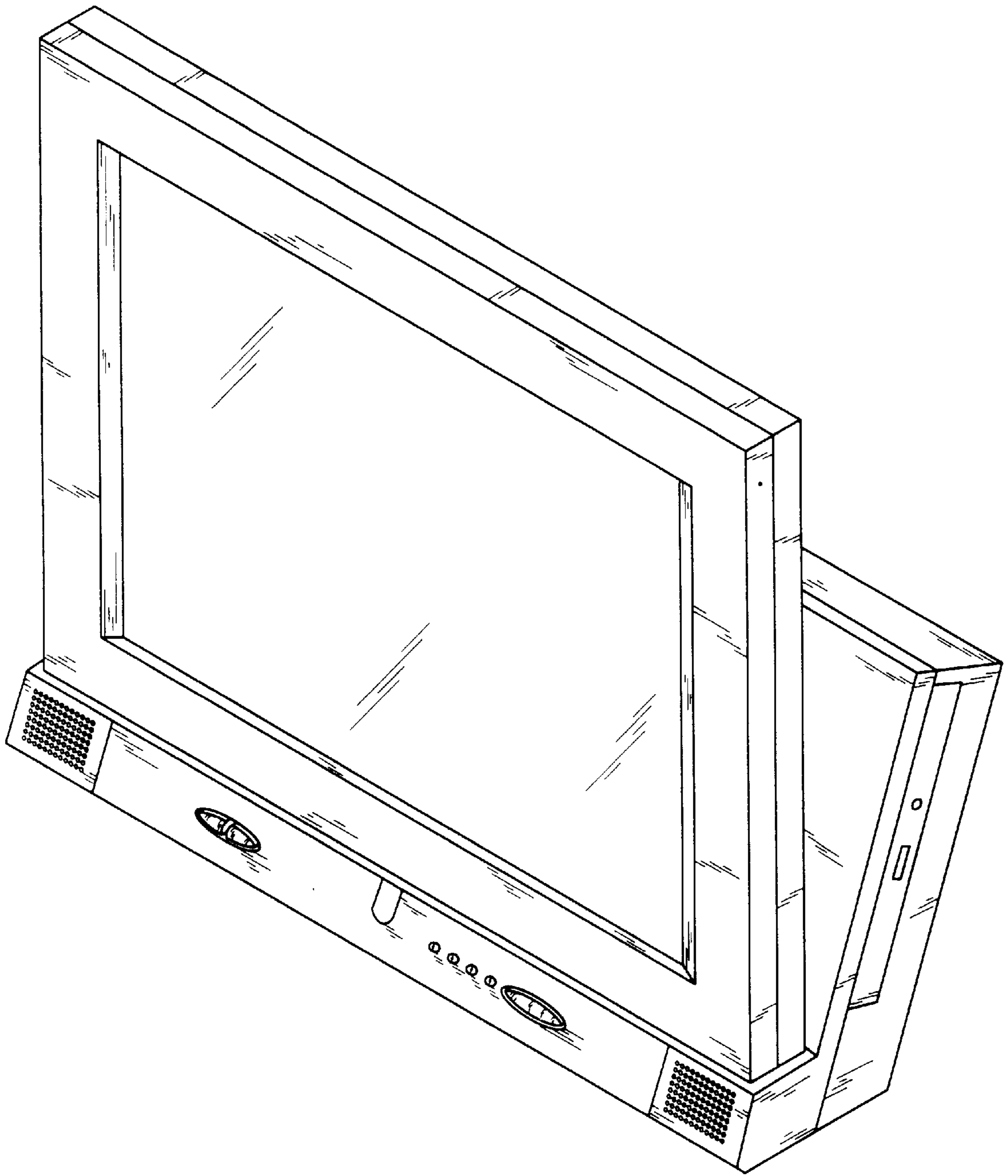
FIG. 5 is a left side elevational view thereof;

FIG. 6 is a top plan view thereof; and,

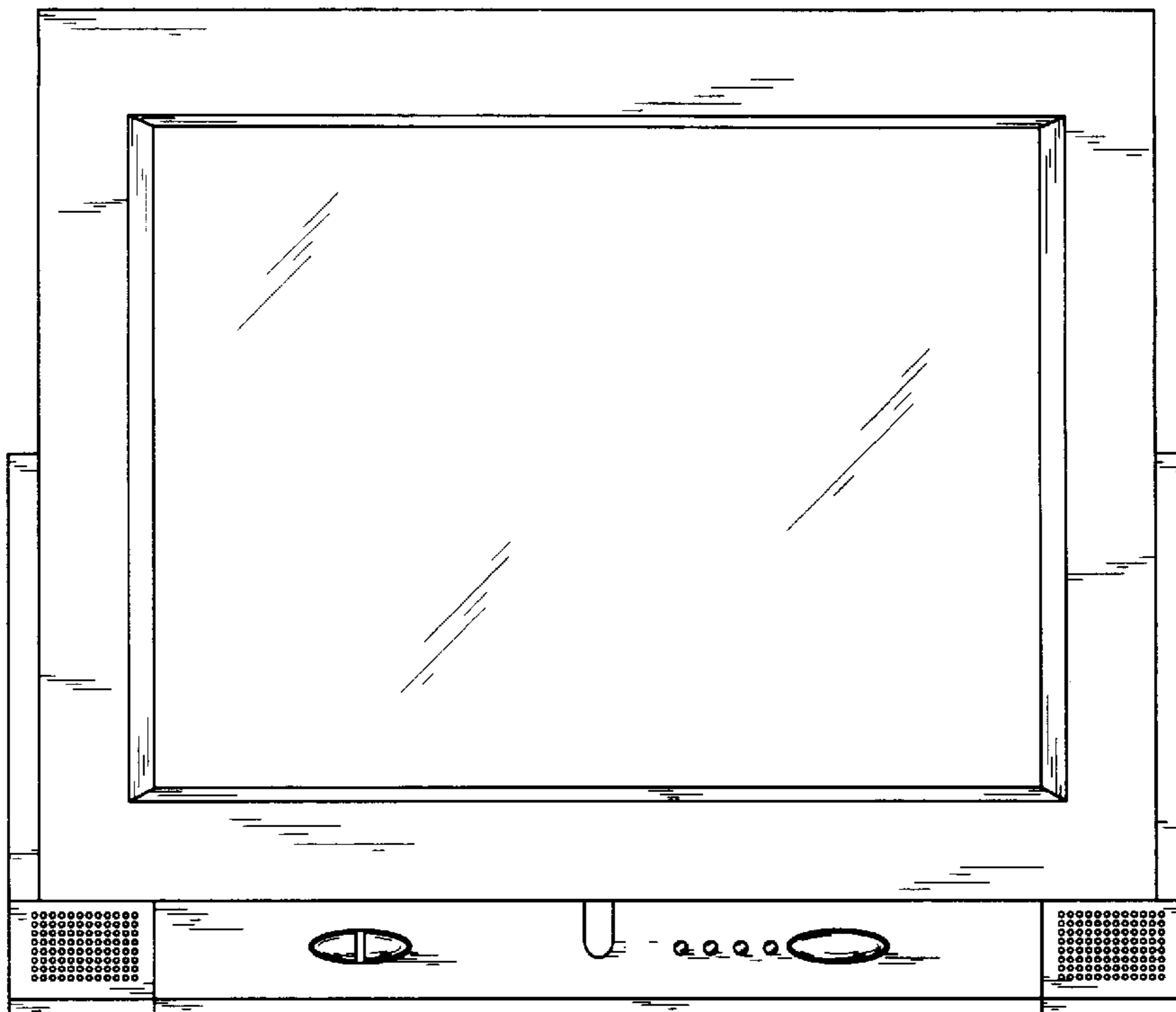
FIG. 7 is a bottom plan view thereof.

**1 Claim, 4 Drawing Sheets**

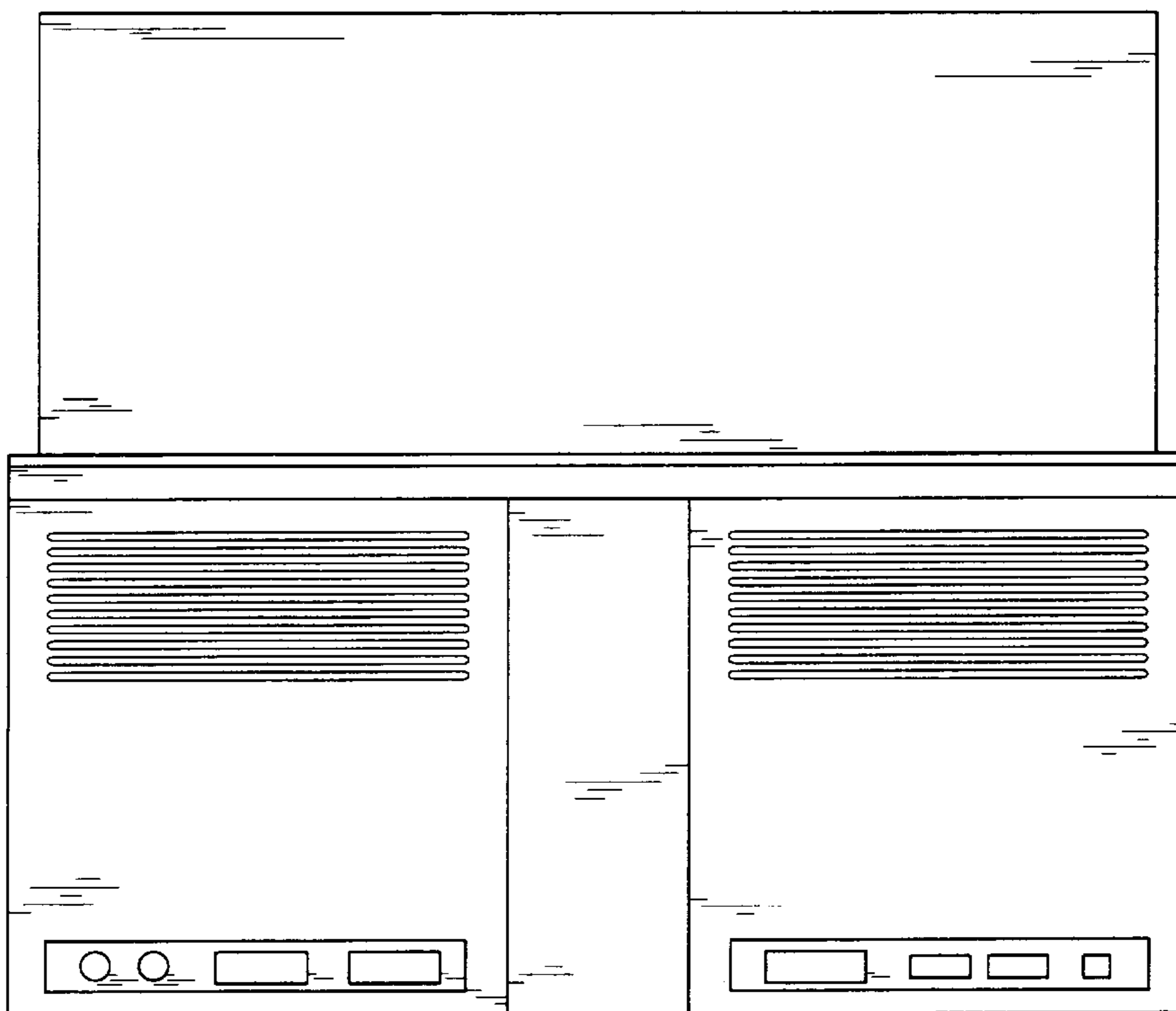




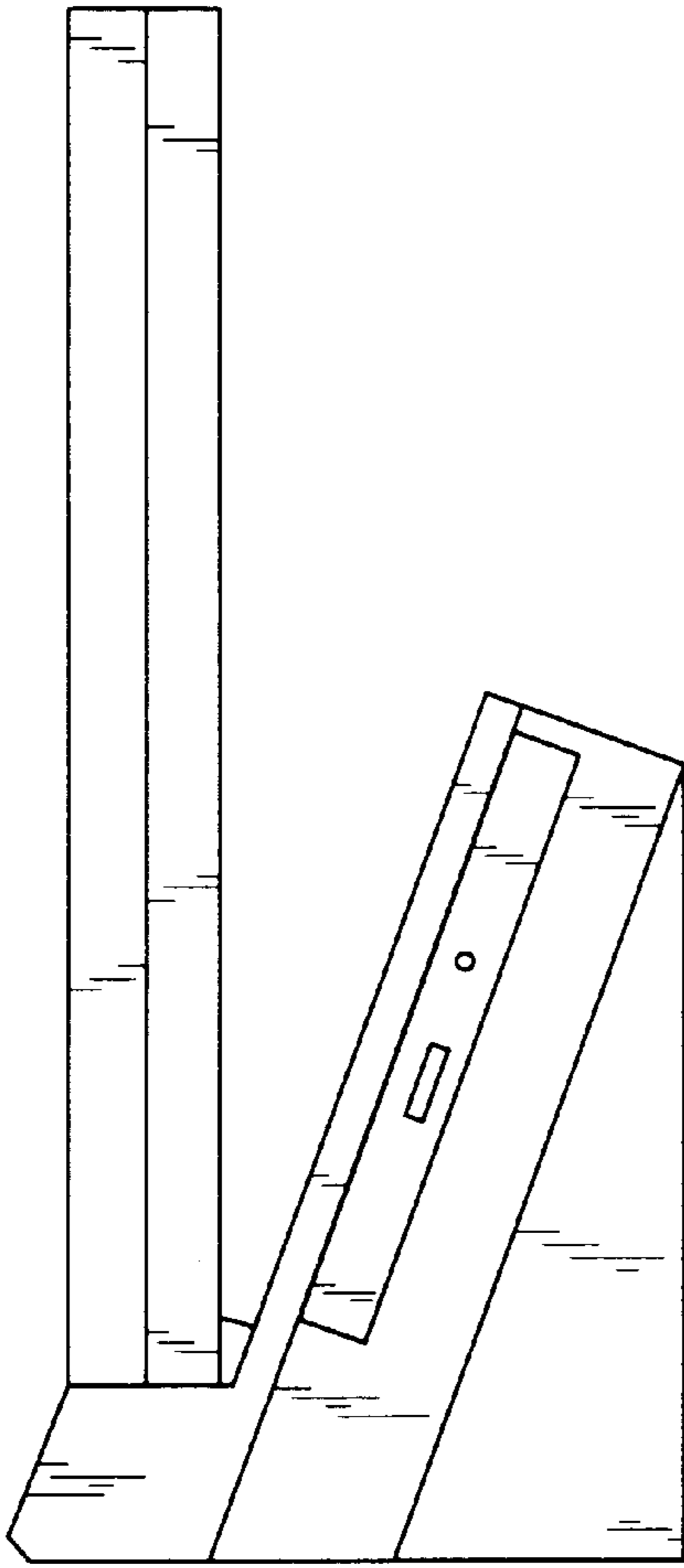
*Fig. 1*



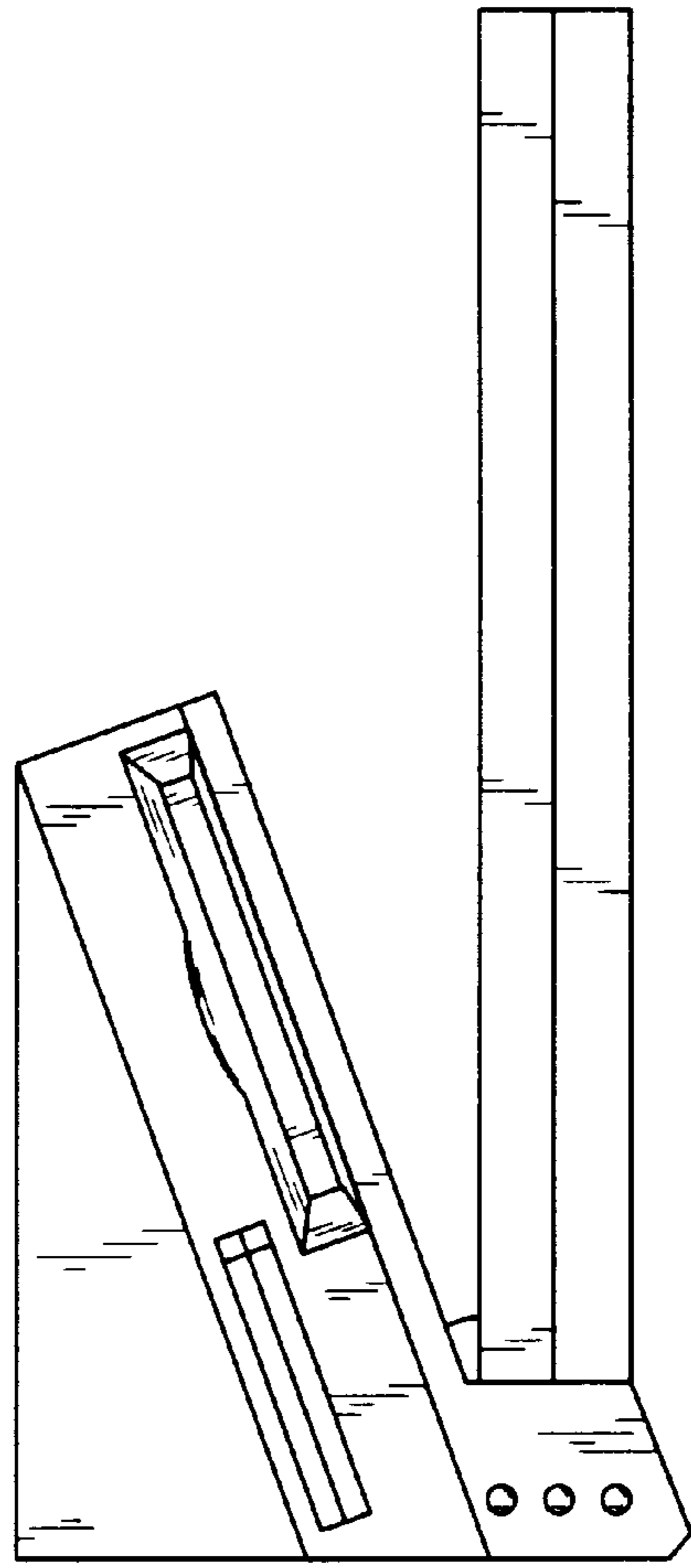
*Fig. 2*



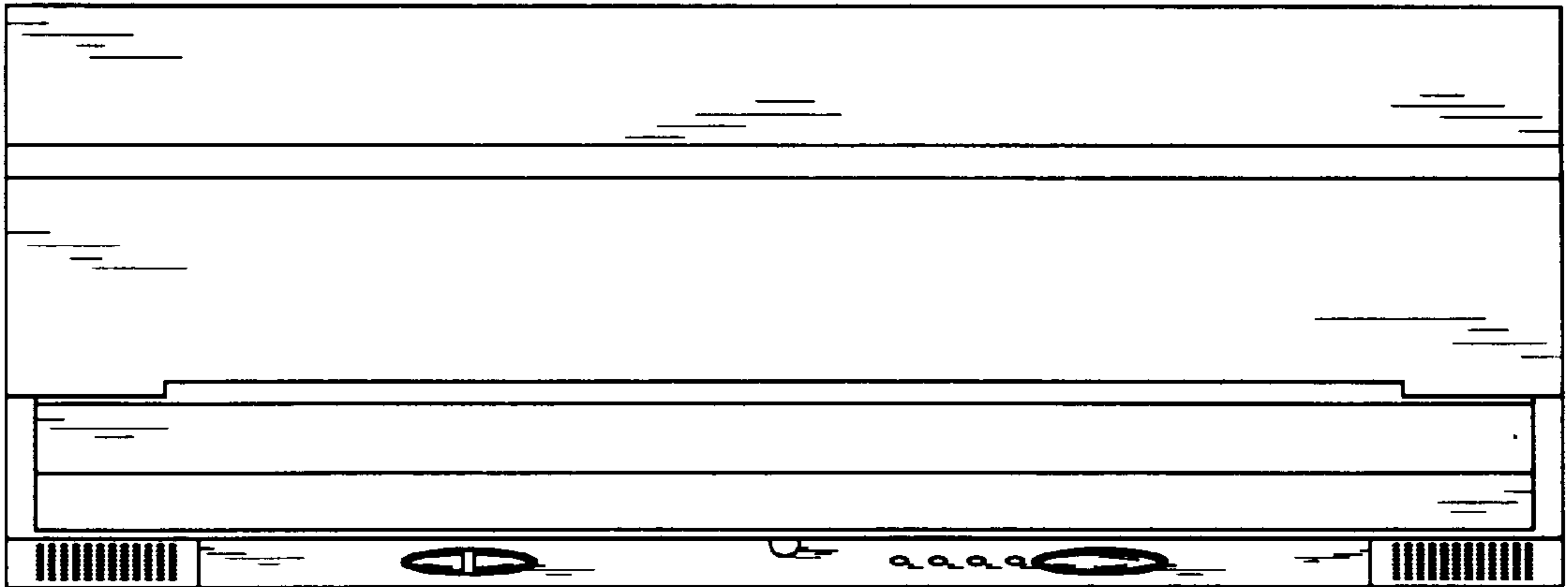
*Fig. 3*



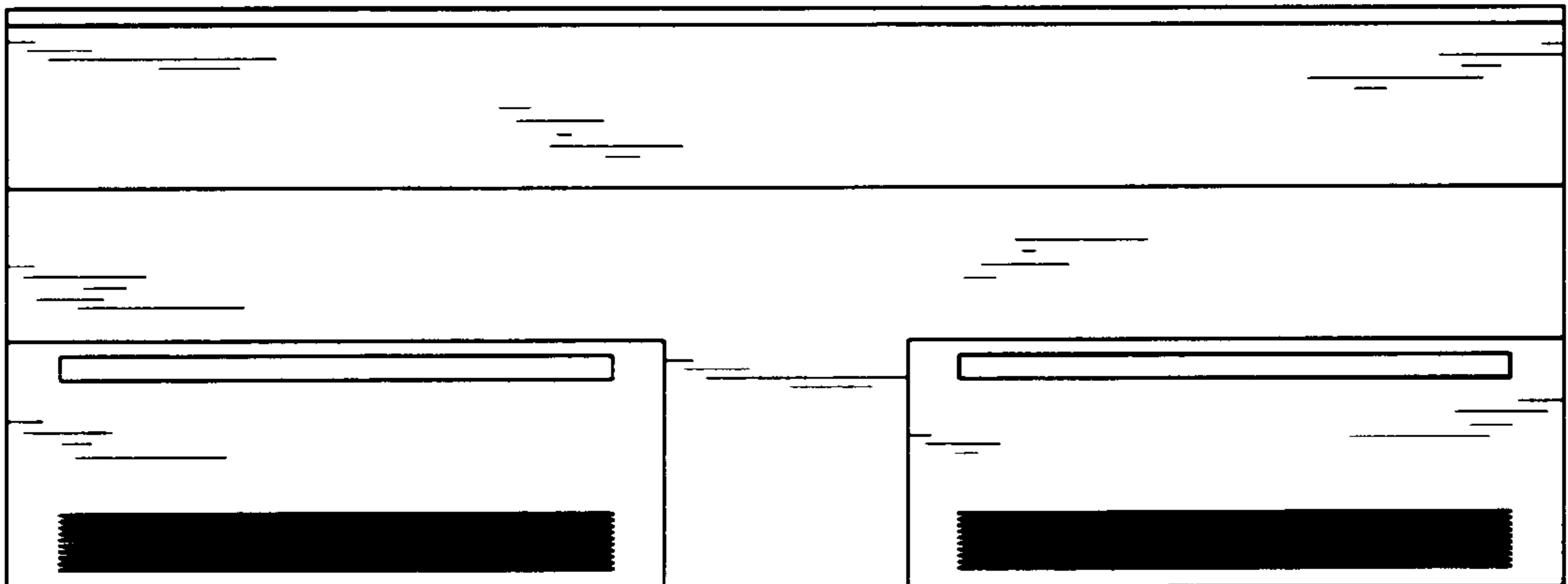
***Fig. 4***



***Fig. 5***



*Fig. 6*



*Fig. 7*