



US00D422970S

United States Patent [19] Guerrero

[11] **Patent Number: Des. 422,970**

[45] **Date of Patent: ** Apr. 18, 2000**

[54] **HEAT SINK**

[75] Inventor: **Fred Guerrero**, North Hollywood, Calif.

[73] Assignee: **I.E.R.C. (International Electronic Research Corp.)**, Burbank, Calif.

[**] Term: **14 Years**

[21] Appl. No.: **29/097,138**

[22] Filed: **Nov. 30, 1998**

D. 361,317	8/1995	Harmon et al.	D13/179
D. 376,349	12/1996	Campanella et al.	D13/179
D. 407,381	3/1999	Campanella	D13/179
4,872,505	10/1989	Jones et al.	165/80.3

Primary Examiner—Brian N. Vinson
Attorney, Agent, or Firm—Bruce A. Jagger

Related U.S. Application Data

[63] Continuation of application No. 08/833,683, Apr. 8, 1997, abandoned.

[51] **LOC (6) Cl.** **13-03**

[52] **U.S. Cl.** **D13/179**

[58] **Field of Search** D13/179; 174/16.3; 361/704, 709; 257/718, 719, 722; 165/80.3

References Cited

U.S. PATENT DOCUMENTS

D. 314,945 2/1991 McCarthy D13/179

[57] CLAIM

The ornamental design for a heat sink, as shown.

DESCRIPTION

FIG. 1 is a top view of a heat sink showing my new design;

FIG. 2 is a front view thereof;

FIG. 3 is a side view thereof;

FIG. 4 is a front perspective view thereof; and,

FIG. 5 is a back perspective view thereof.

The broken-line disclosure forms no part of the claimed design.

1 Claim, 2 Drawing Sheets

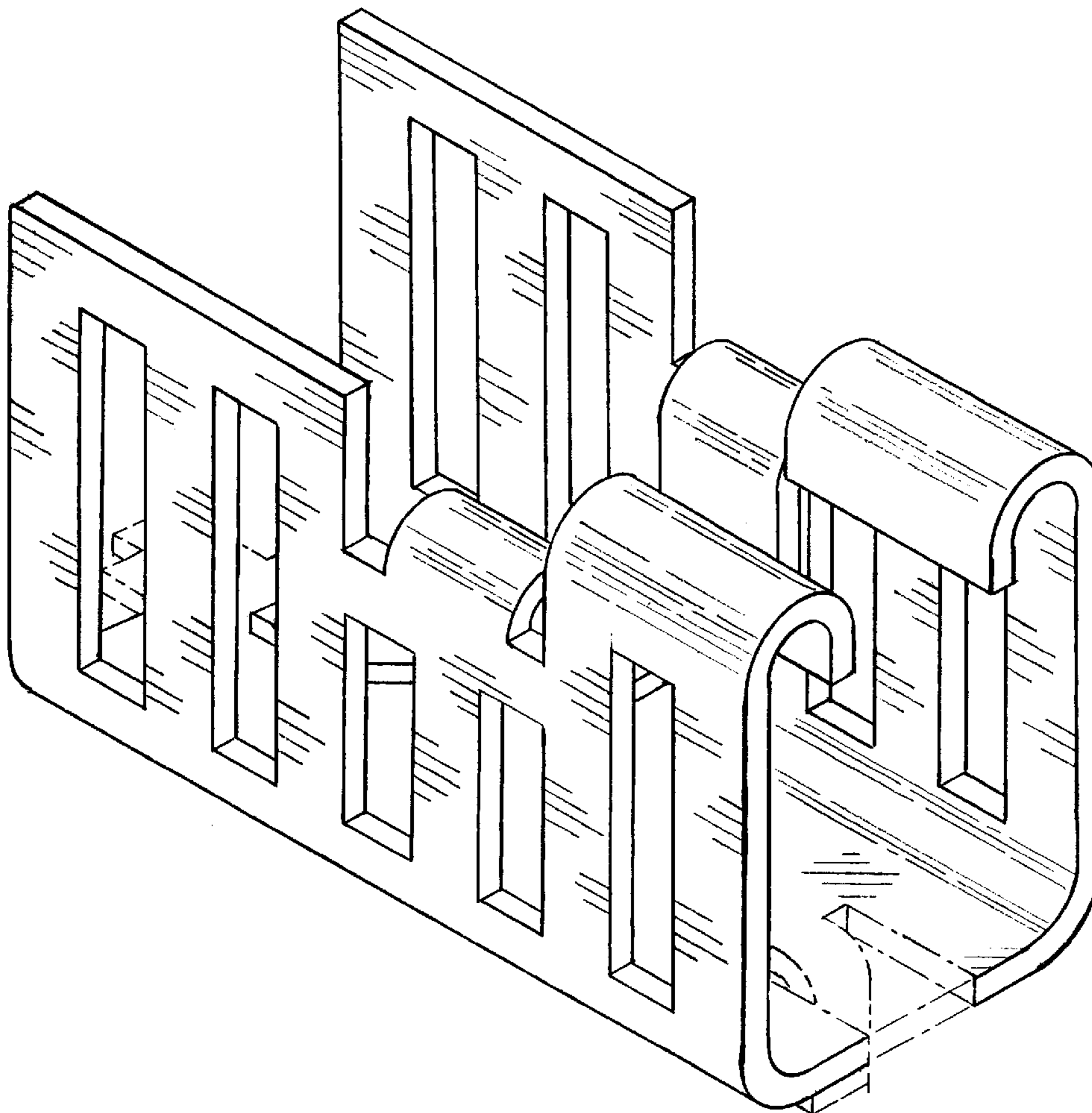


FIG. 1

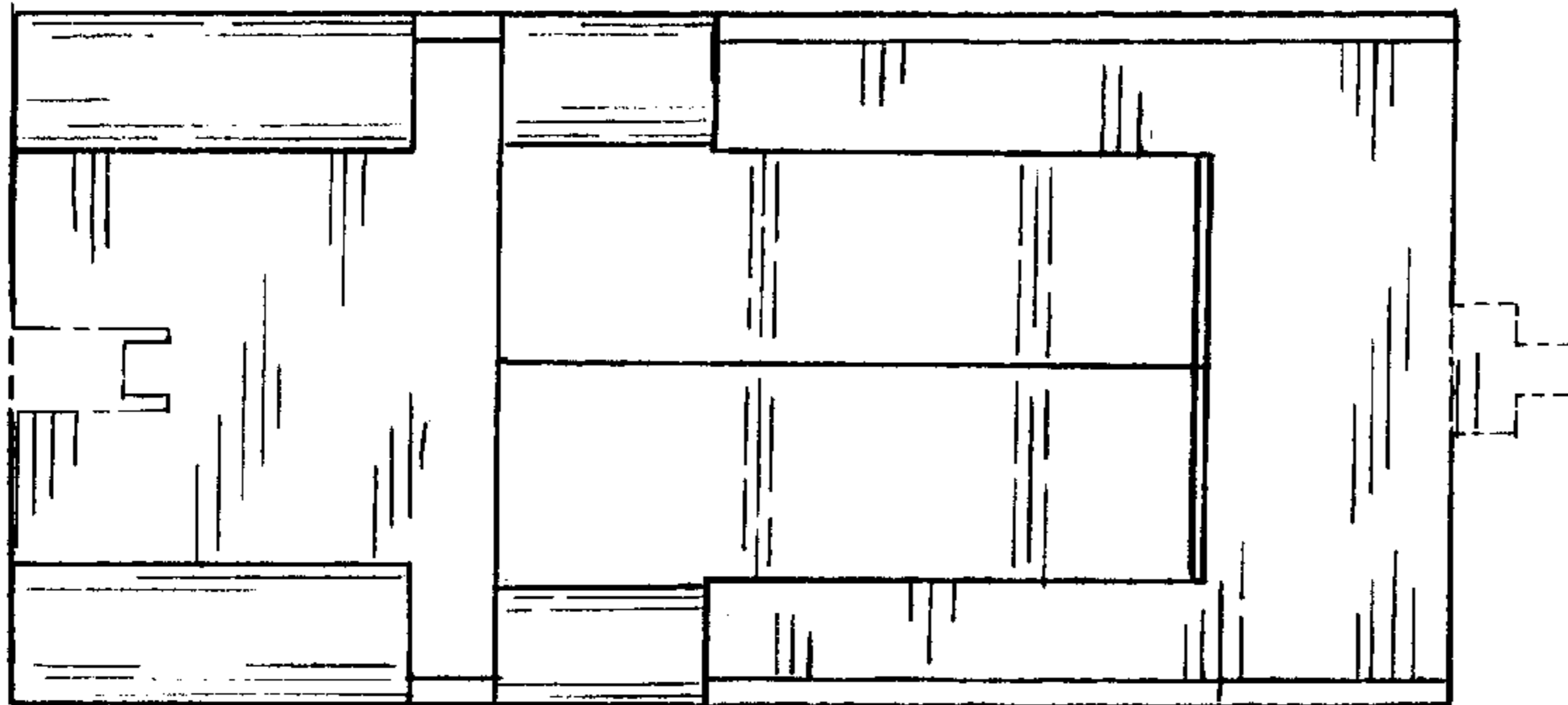


FIG. 2

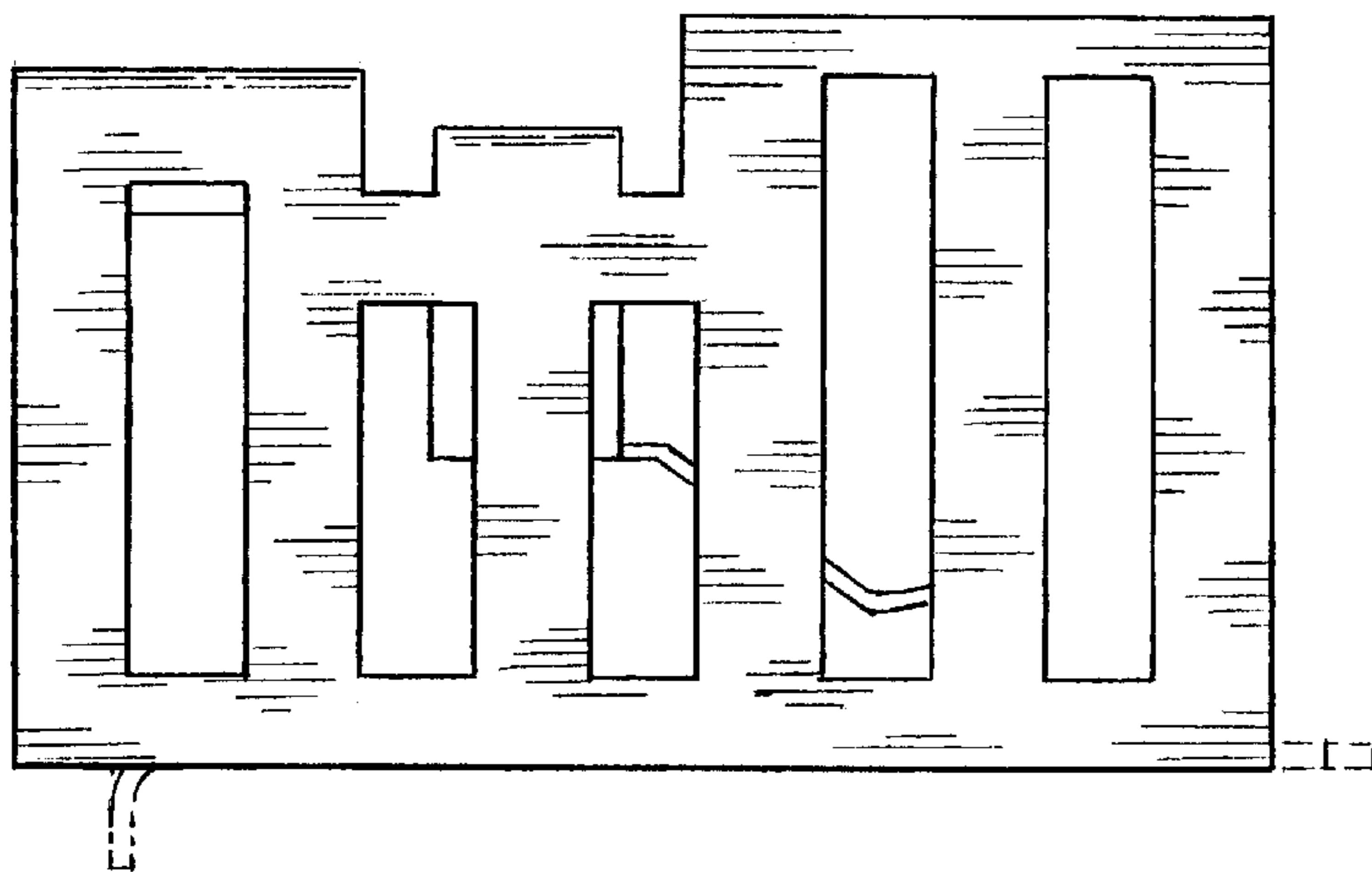


FIG. 3

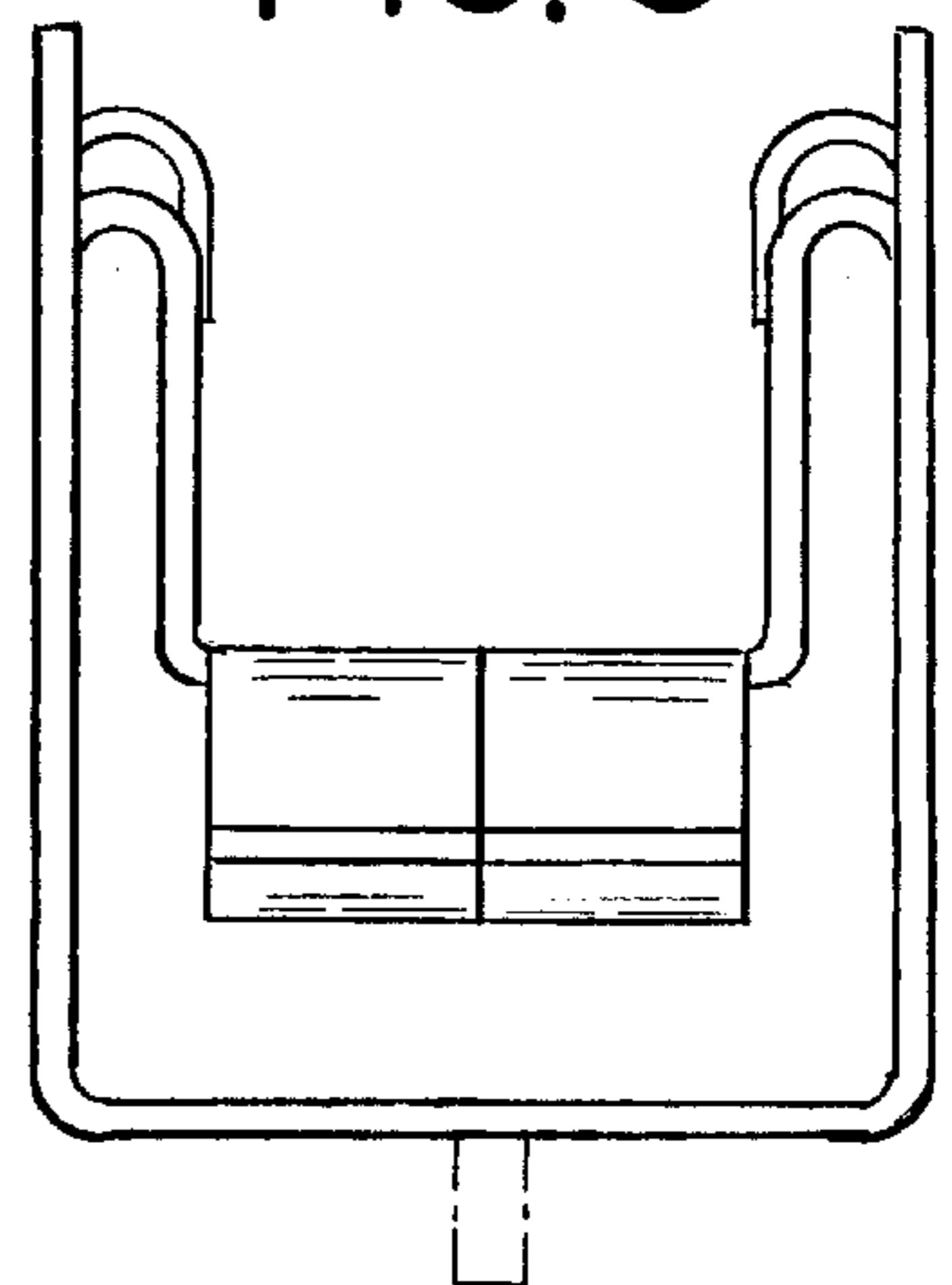


FIG. 4

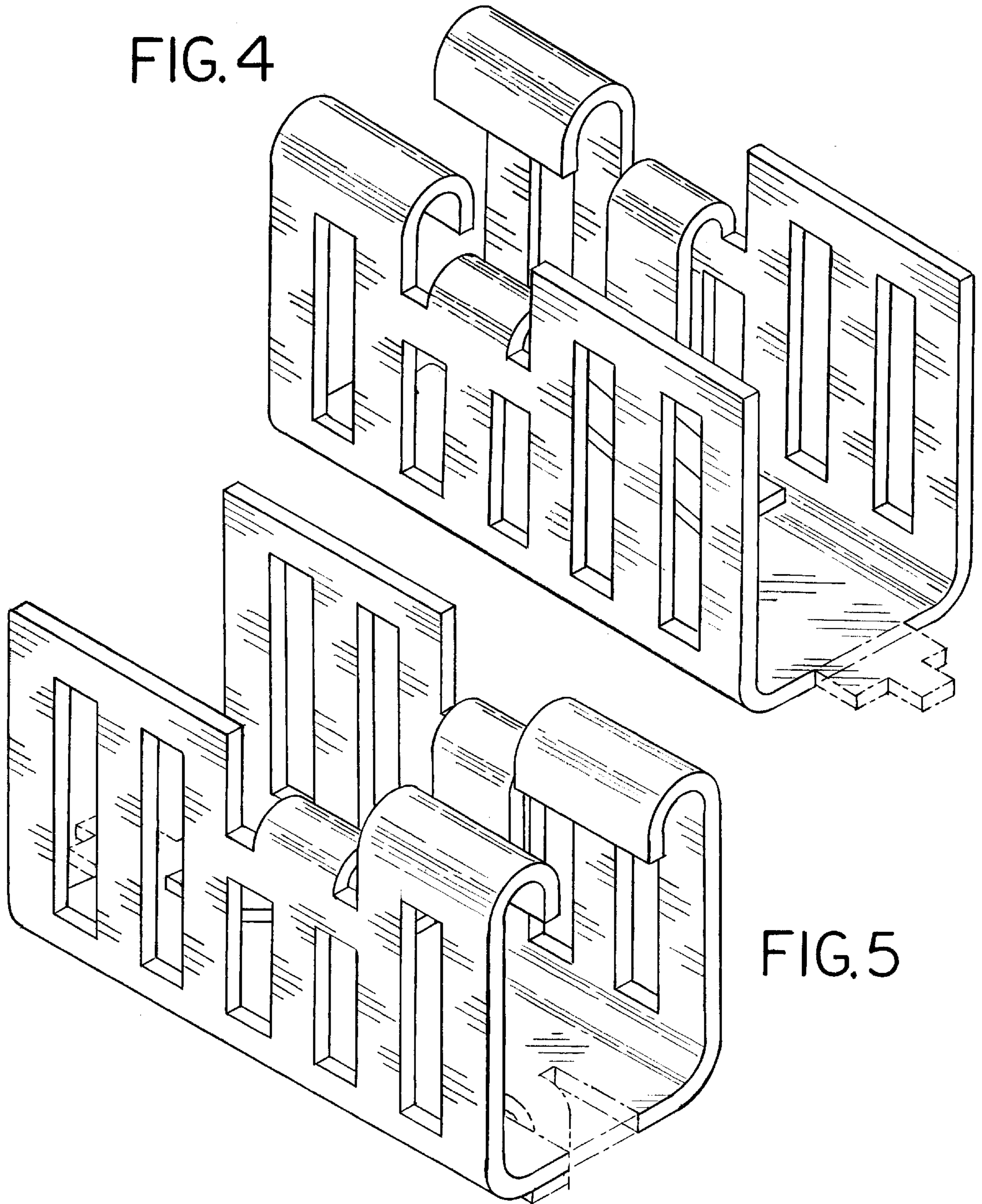


FIG. 5