



US00D422969S

# United States Patent [19]

[11] **Patent Number: Des. 422,969**

**Mayo et al.**

[45] **Date of Patent: \*\* \*Apr. 18, 2000**

[54] **MASTER CONTROL UNIT FOR A RADIO FREQUENCY CONTROLLED LIGHTING CONTROL SYSTEM**

- D. 276,718 12/1984 Goodin et al. .... D13/164
- D. 311,485 10/1990 Jacoby et al. .... D13/164 X
- D. 313,997 1/1991 Itio et al. .... D14/218
- D. 323,488 1/1992 Darnell et al. .... D13/162
- D. 389,461 1/1998 Mayo et al. .... D13/164

[75] Inventors: **Noel Mayo**, Philadelphia; **James E. Swain**, Bethlehem; **Joel S. Spira**, Coopersburg, all of Pa.

*Primary Examiner*—Joel Sincavage  
*Assistant Examiner*—Lavone Tabor  
*Attorney, Agent, or Firm*—Ostrolenk, Faber, Gerb & Soffen, LLP

[73] Assignee: **Lutron Electronics Co., Inc.**, Coopersburg, Pa.

[\*] Notice: This patent is subject to a terminal disclaimer.

[\*\*] Term: **14 Years**

### [57] CLAIM

The design for the master control unit of a radio frequency controlled lighting control system, as shown and described.

[21] Appl. No.: **29/082,156**

### DESCRIPTION

[22] Filed: **Jan. 16, 1998**

FIG. 1 is a perspective view of a design for a master control unit for a radio frequency controlled lighting control system; FIG. 2 is a front elevational view of the design of the master control unit; FIG. 3 is a rear elevational view of the design of the master control unit; FIG. 4 is a left elevational view of the design of the master control unit; FIG. 5 is a right side elevational view of the design of the master control unit; FIG. 6 is a top plan view of the design of the master control unit; and, FIG. 7 is a bottom plan view of the design of the master control unit.

[51] **LOC (6) Cl.** ..... **13-03**

[52] **U.S. Cl.** ..... **D13/164**

[58] **Field of Search** ..... D13/162, 164, D13/168; 200/5 R; 315/291, 292, 295, 297; 340/825.58, 825.69, 825.71; D10/106; D14/155, 218; 318/16; 367/197, 199; 455/68, 95

### [56] References Cited

#### U.S. PATENT DOCUMENTS

- D. 276,224 11/1984 Goodin et al. .... D10/106

**1 Claim, 4 Drawing Sheets**

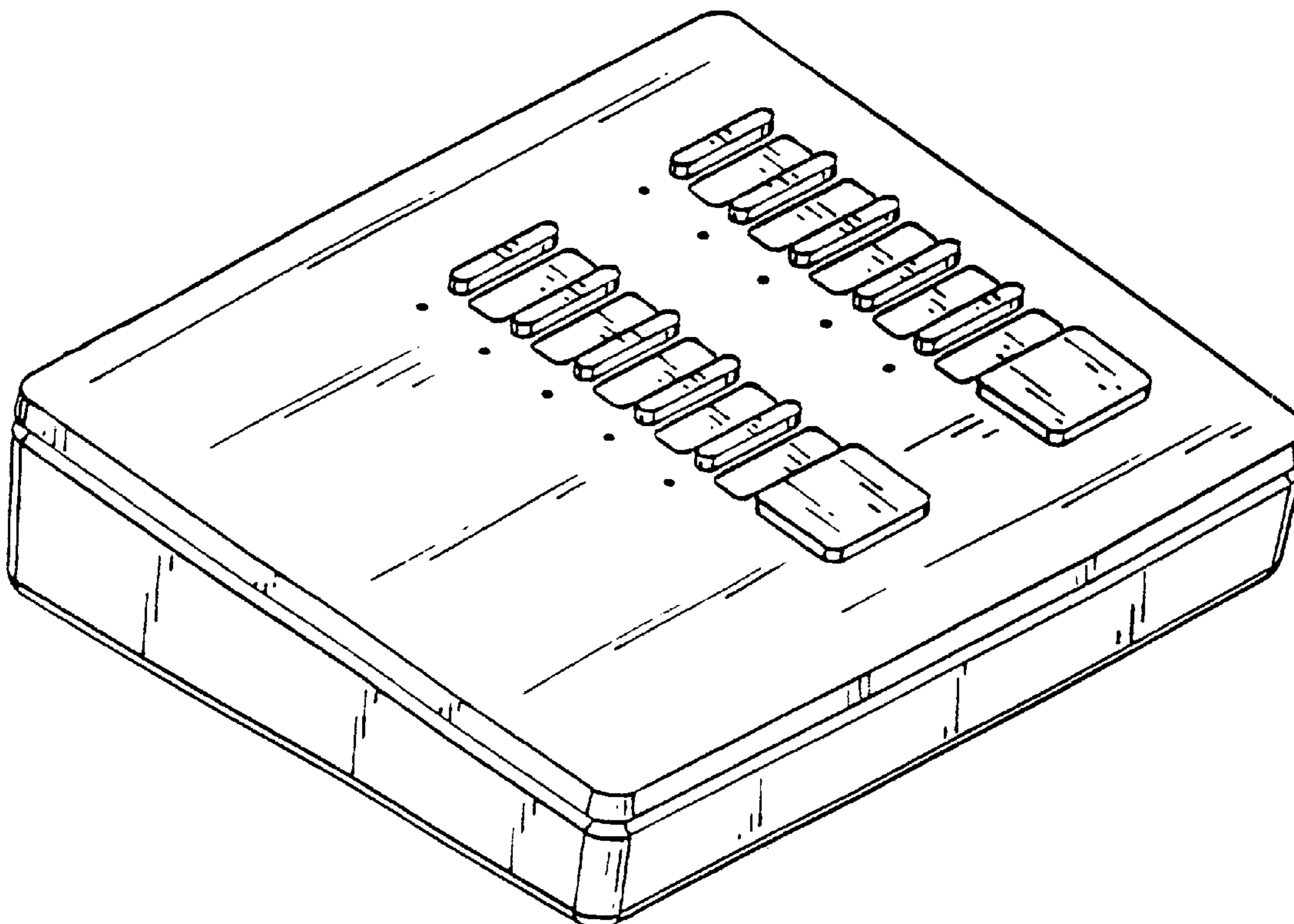
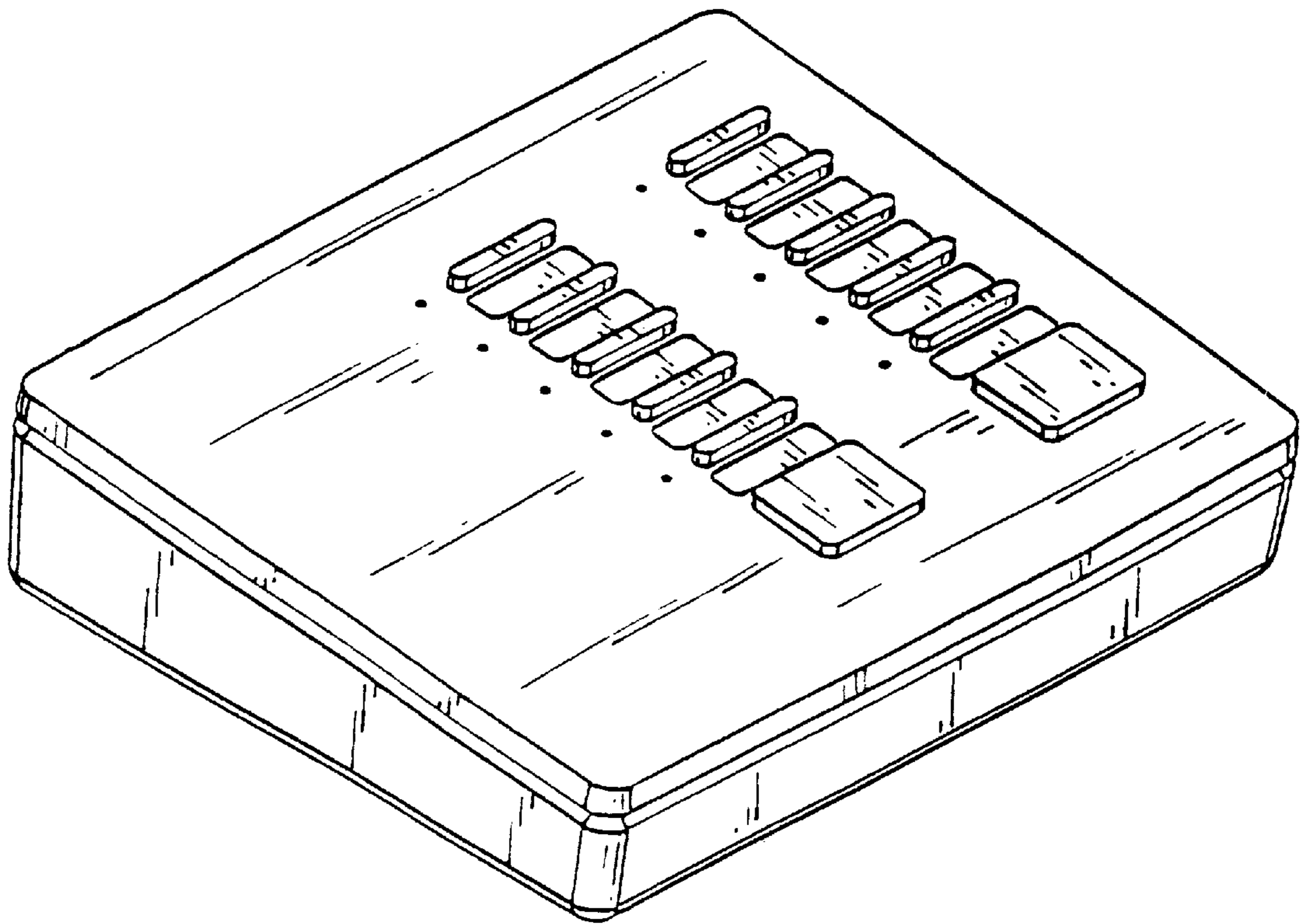


FIG.1



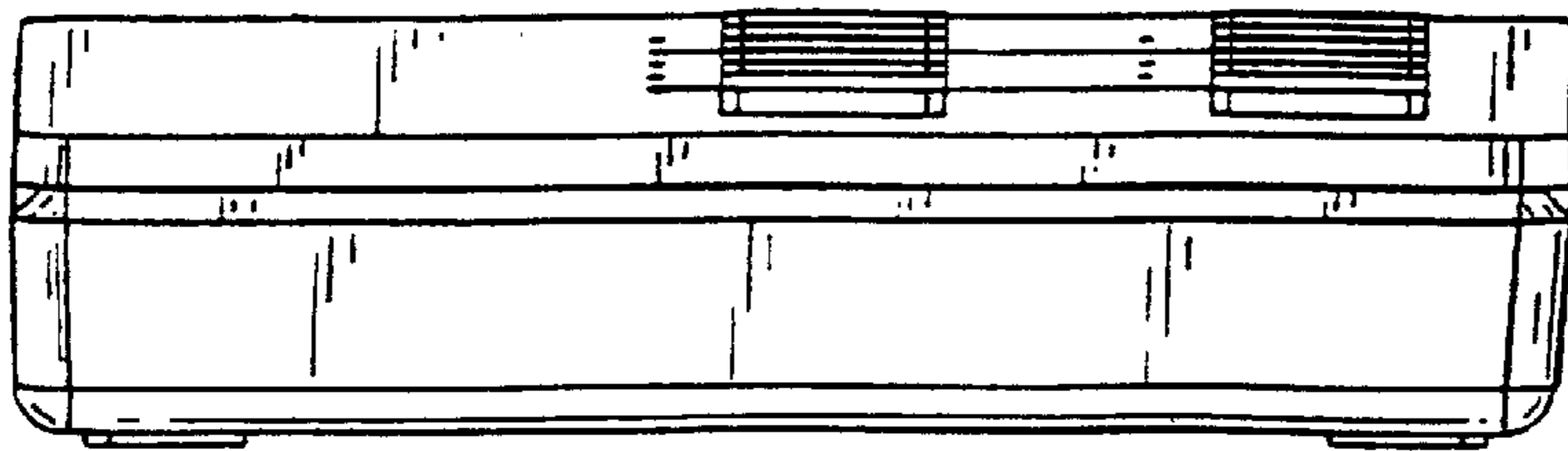
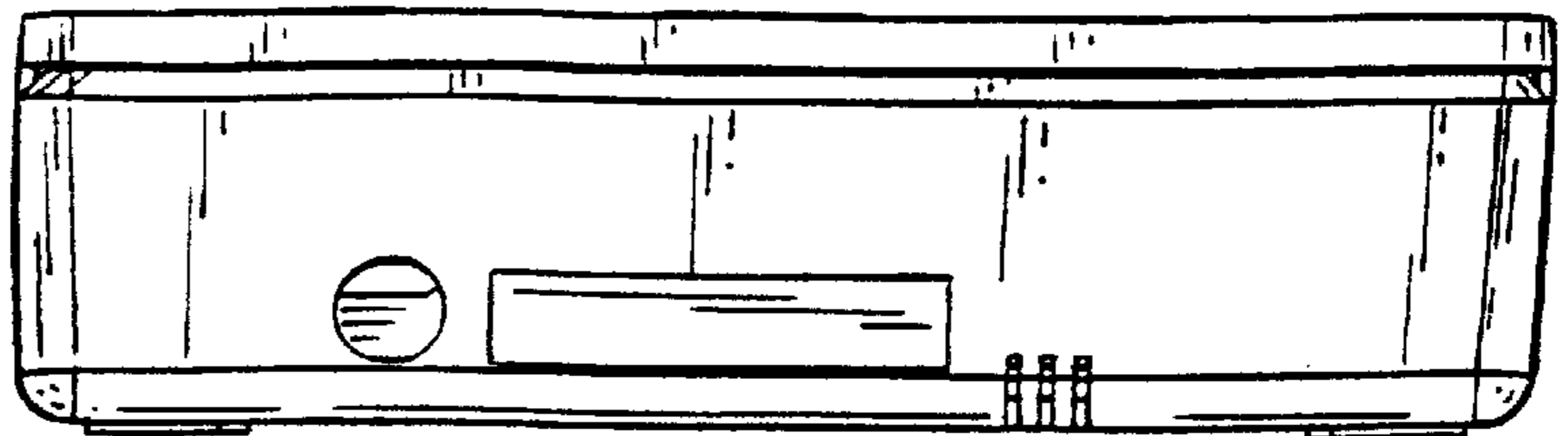


FIG. 2

FIG. 3



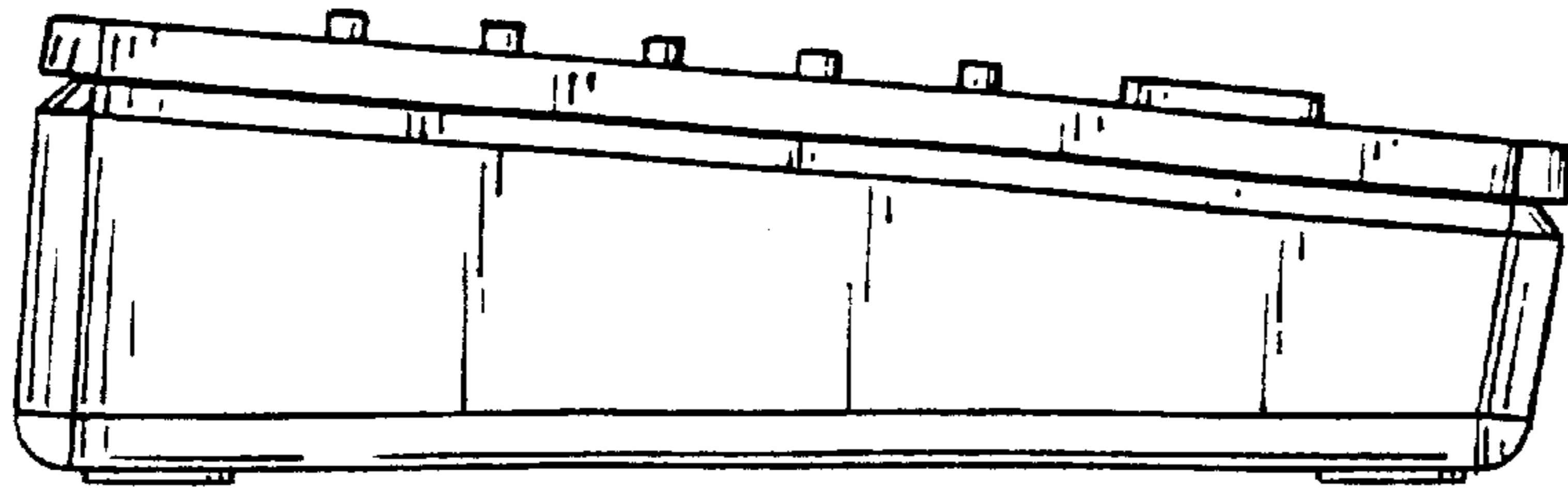


FIG. 4

FIG. 5

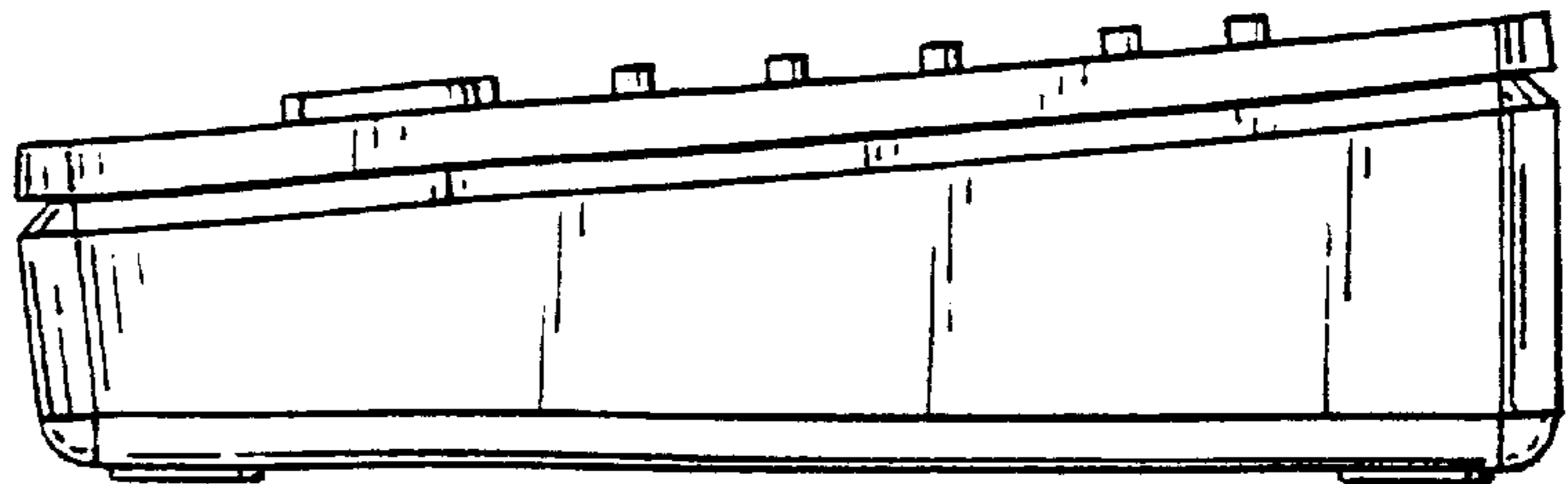


FIG. 6

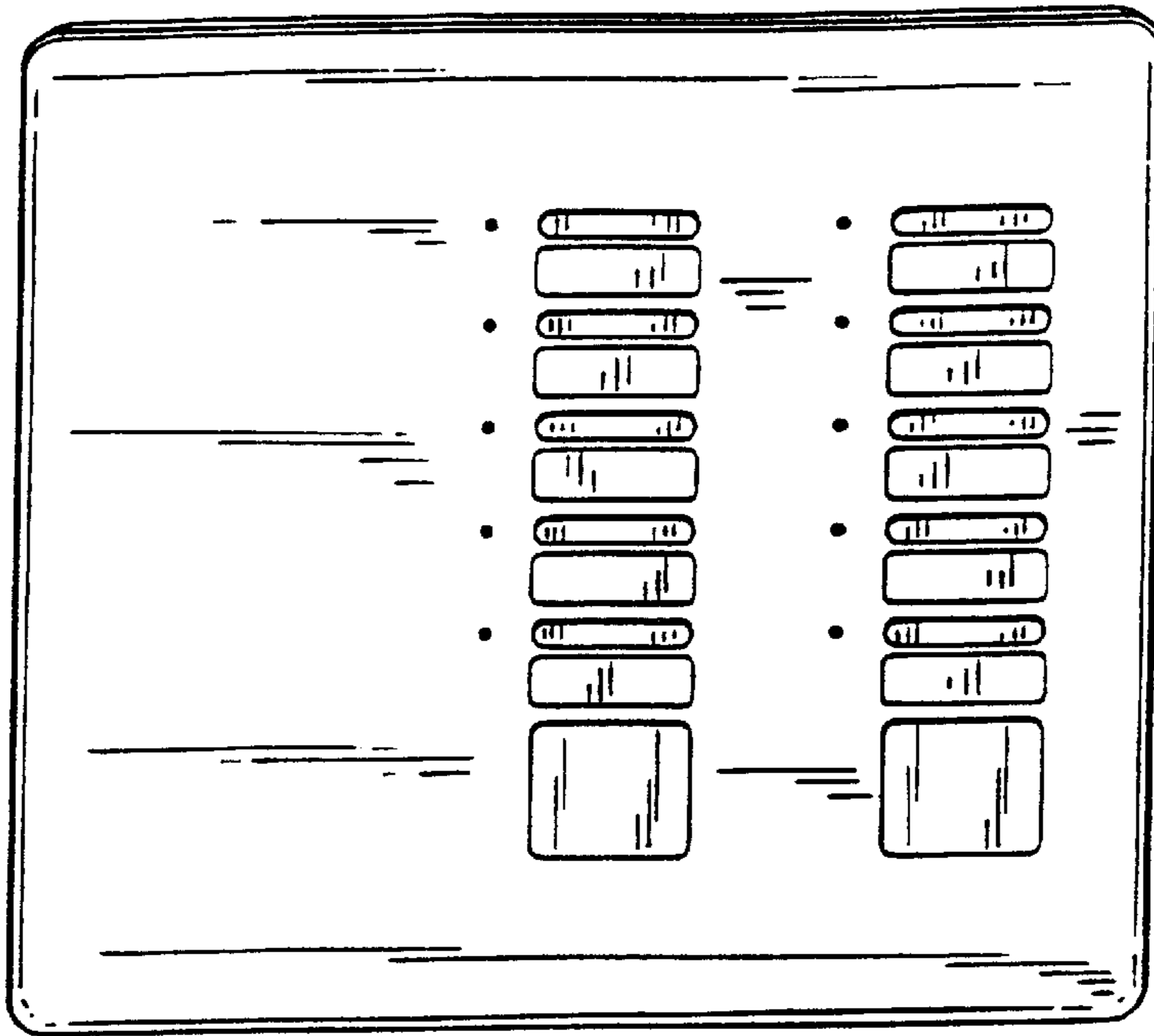


FIG. 7

