



US00D422968S

United States Patent [19]

Tsai et al.

[11] Patent Number: **Des. 422,968**

[45] Date of Patent: **** Apr. 18, 2000**

[54] **ELECTRICAL CONNECTOR**

[75] Inventors: **Vincent Tsai**, Taipei; **William Wang**,
Tao-Yuan; **Susan Hsu**, Hsin-Chu, all of
Taiwan

[73] Assignee: **Hon Hai Precision Ind. Co., Ltd.**,
Taipei Hsien, Taiwan

[**] Term: **14 Years**

[21] Appl. No.: **29/100,699**

[22] Filed: **Feb. 16, 1999**

[30] **Foreign Application Priority Data**

Aug. 13, 1998 [TW] Taiwan 87305909

[51] **LOC (6) Cl.** **13-03**

[52] **U.S. Cl.** **D13/147**

[58] **Field of Search** D13/133, 146,
D13/147; 439/248, 536, 540.1, 571; 361/683

[56] **References Cited**

U.S. PATENT DOCUMENTS

D. 336,746 6/1993 Tse D14/114
D. 354,732 1/1995 Oliver et al. D13/147

4,745,524	5/1988	Patton, III	361/683
4,944,568	7/1990	Danbach et al.	439/248 X
5,162,675	11/1992	Olsen et al.	326/37
5,328,388	7/1994	Fust et al.	439/540.1 X
5,454,733	10/1995	Watanabe et al.	439/540.1
5,572,400	11/1996	Roesner et al.	361/683
5,658,170	8/1997	Tan et al.	439/610
5,838,550	11/1998	Morris et al.	361/818
5,938,476	8/1999	Wu et al.	439/610

Primary Examiner—Joel Sincavage
Attorney, Agent, or Firm—Wei Te Chung

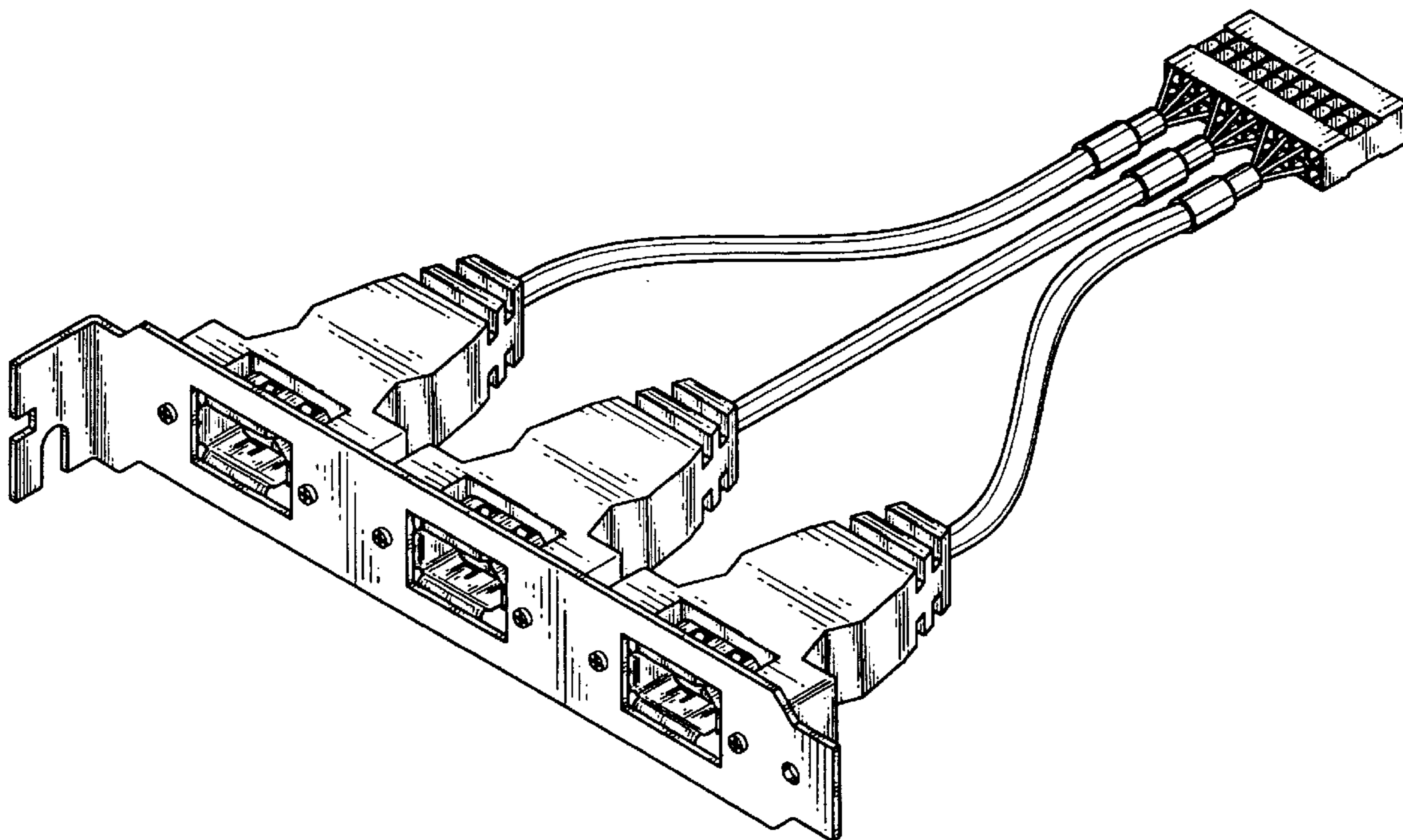
[57] CLAIM

The ornamental design for an electrical connector, as shown.

DESCRIPTION

FIG. 1 is a perspective view of an electrical connector showing my new design;
FIG. 2 is a front elevational view thereof;
FIG. 3 is a rear elevational view thereof;
FIG. 4 is a left side elevational view thereof;
FIG. 5 is a right side elevational view thereof;
FIG. 6 is a top plan view thereof; and,
FIG. 7 is a bottom plan view thereof.

1 Claim, 7 Drawing Sheets



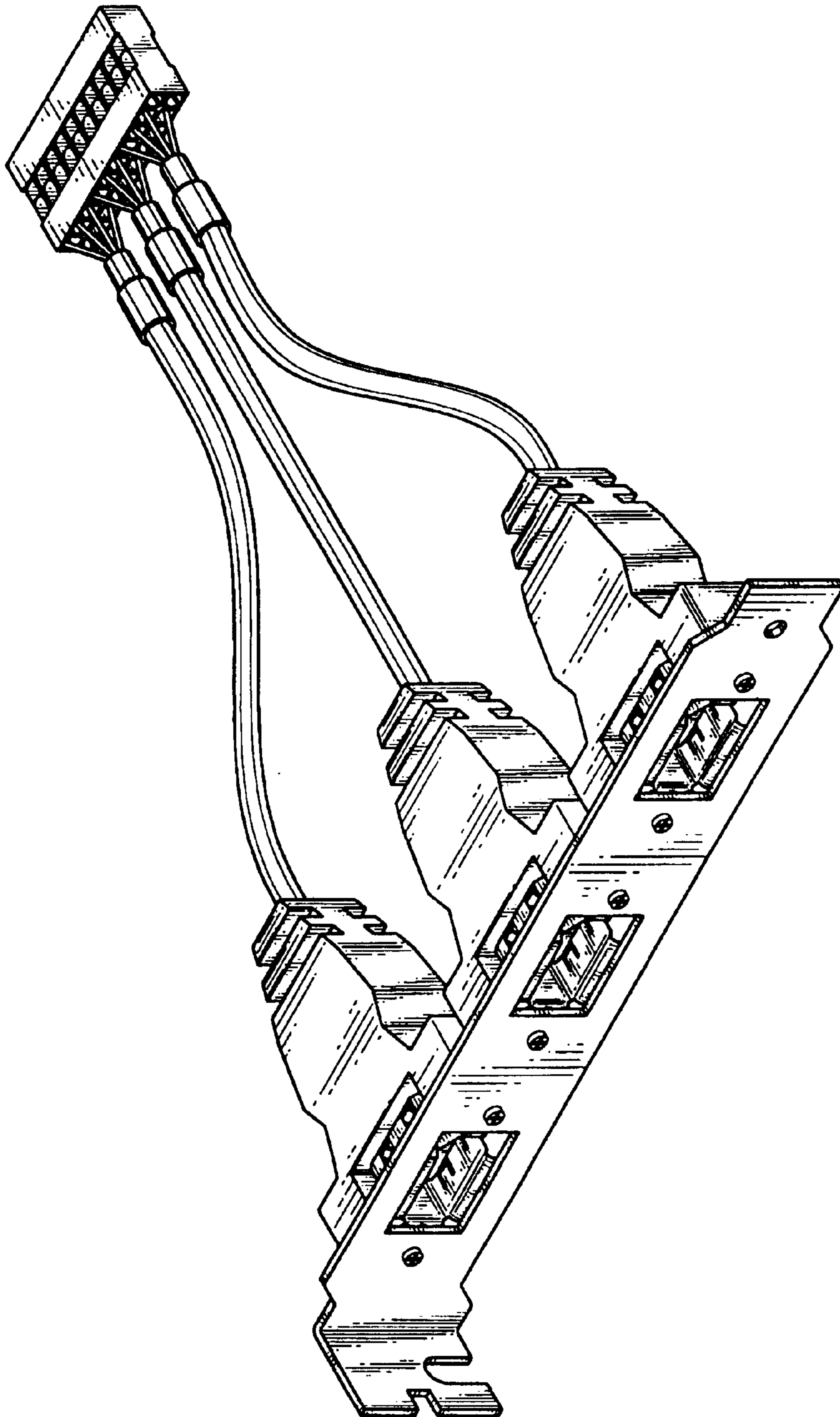


FIG. 1

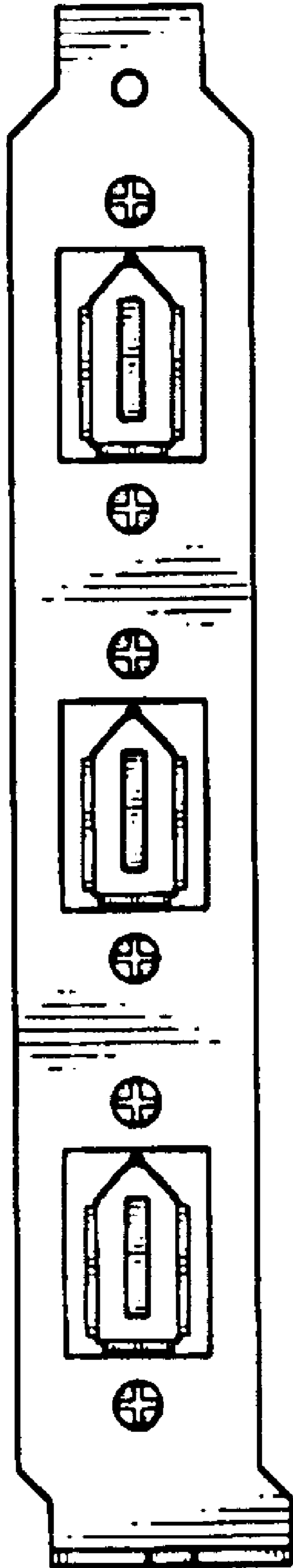


FIG. 2

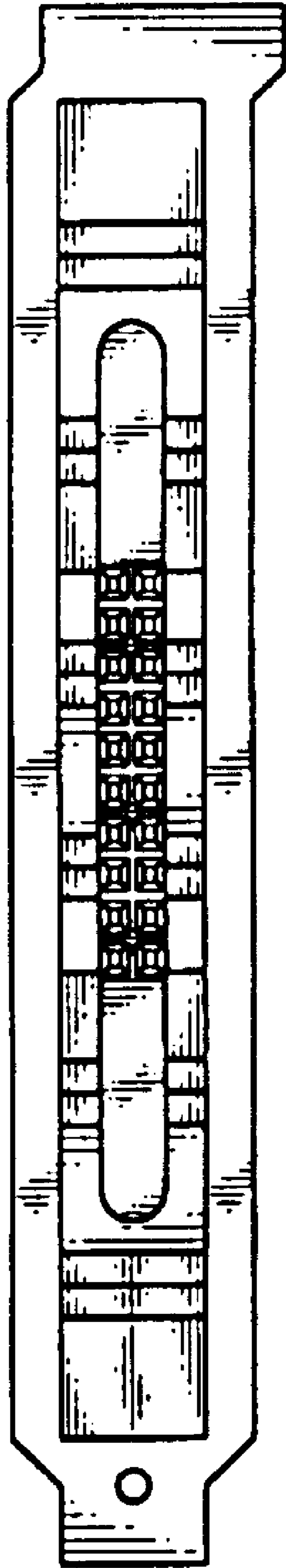


FIG. 3

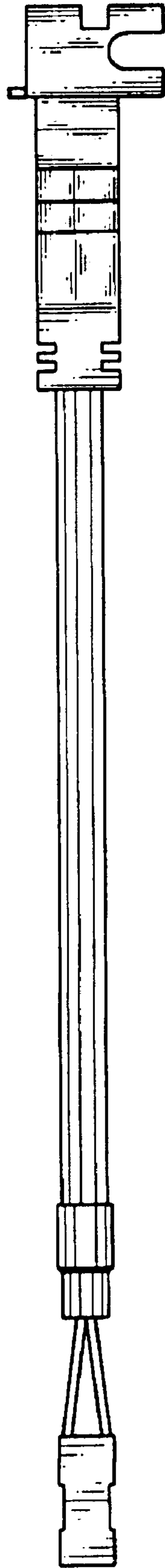


FIG. 4

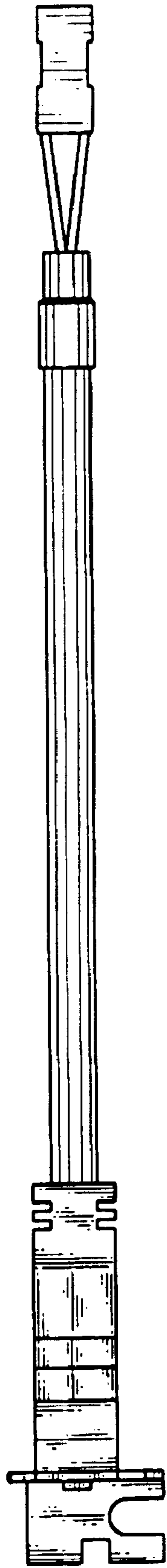


FIG. 5

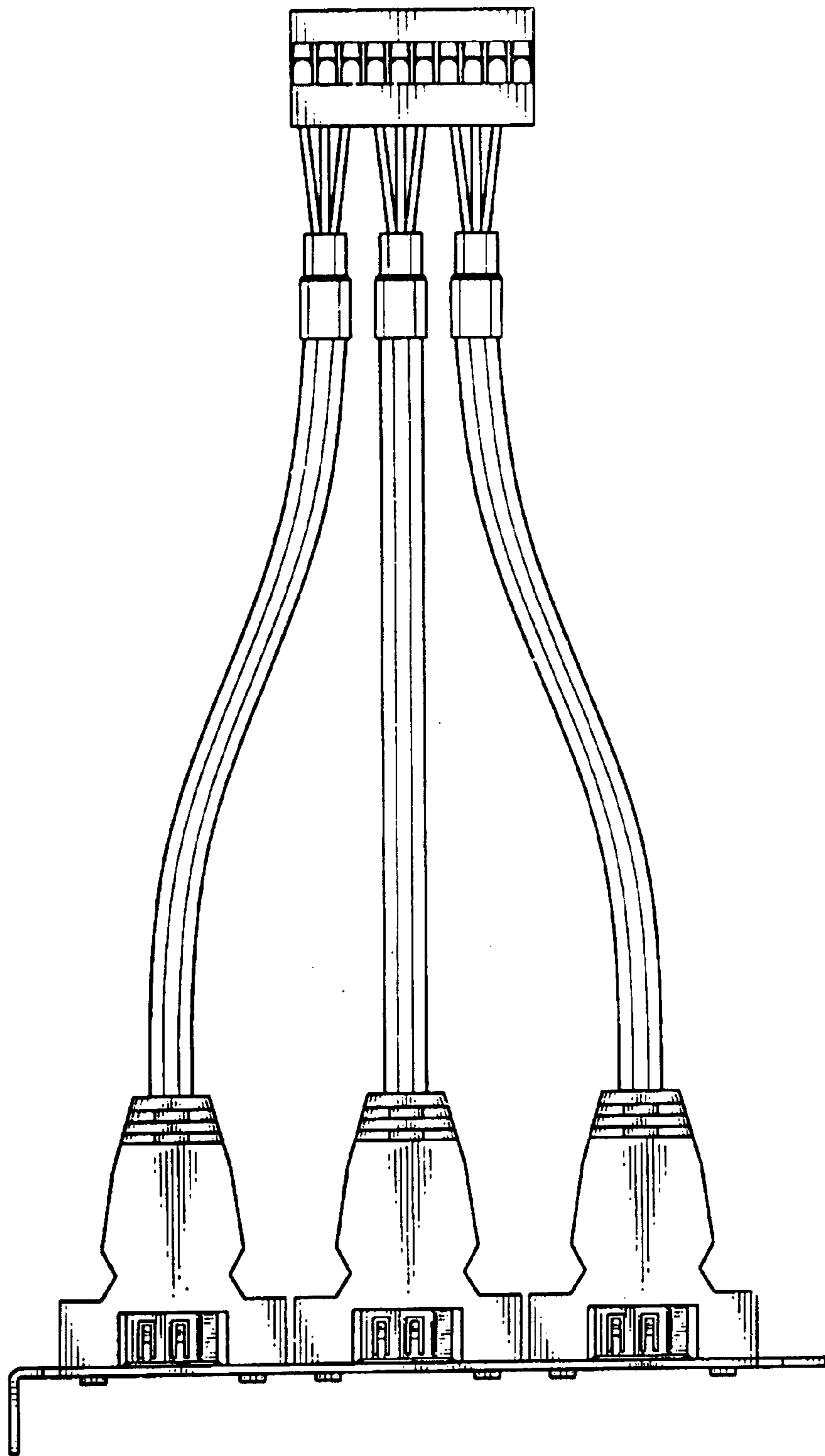


FIG. 6

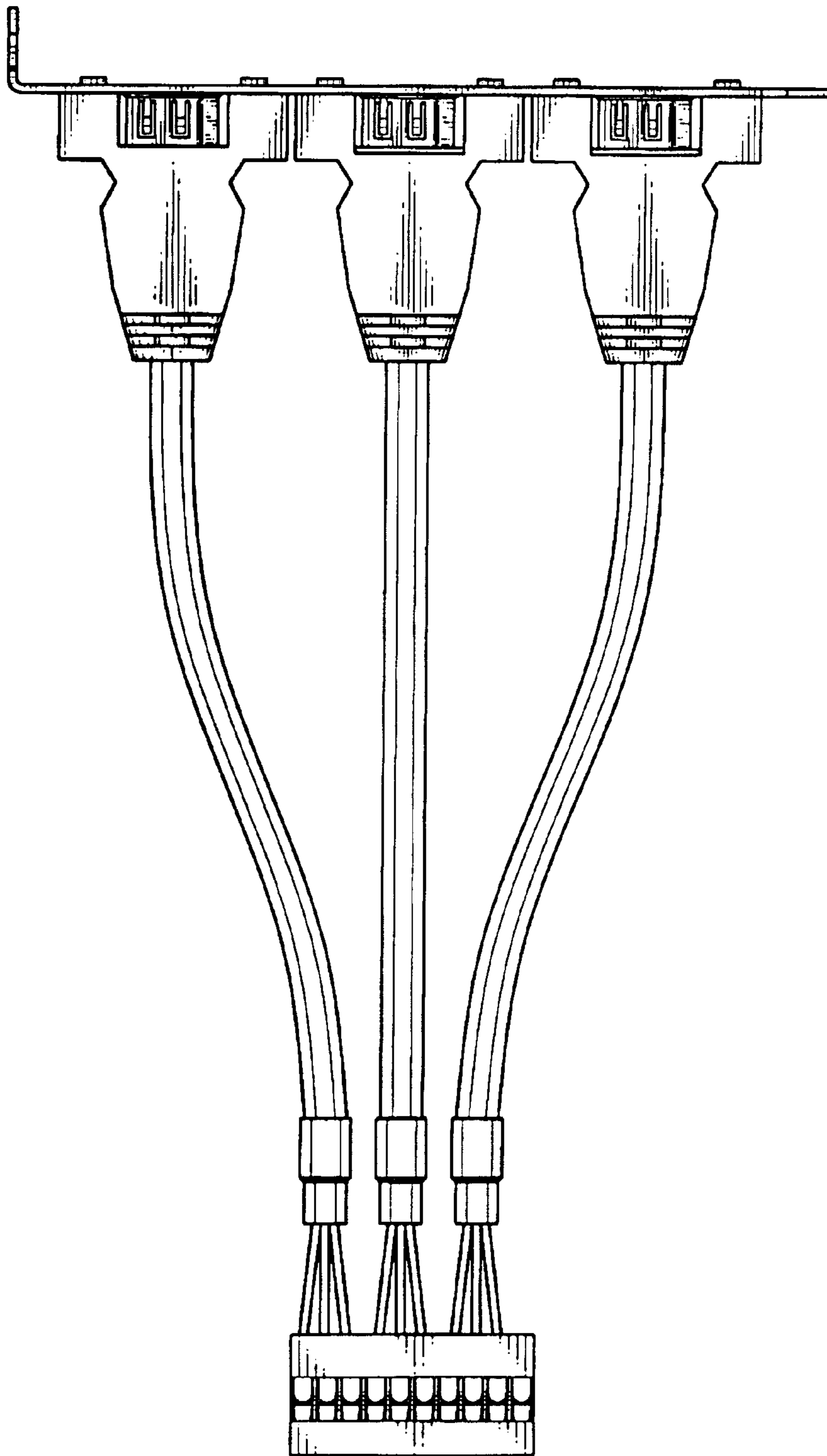


FIG. 7