



US00D422966S

United States Patent [19]

[11] Patent Number: Des. 422,966

Yu

[45] Date of Patent: ** Apr. 18, 2000

[54] **COMBINED RECEPTACLE ADAPTER AND LIGHT**

D. 382,658 8/1997 Yu D26/26
D. 397,814 9/1998 Pun D26/26
1,825,085 9/1931 Neill 362/806

[76] Inventor: **Jeff Yu**, 2491 Ramke Pl., Santa Clara, Calif. 95050

Primary Examiner—Susan J. Lucas
Assistant Examiner—Jennifer Rivard
Attorney, Agent, or Firm—R J Services

[**] Term: **14 Years**

[57] CLAIM

[21] Appl. No.: **29/104,681**

The ornamental design for a combined receptacle adapter and light, as shown and described.

[22] Filed: **May 10, 1999**

DESCRIPTION

[51] **LOC (6) Cl.** **13-03**

[52] **U.S. Cl.** **D13/137.2; D26/51; D26/26; D26/118**

[58] **Field of Search** D13/137.1–137.4, D13/139.1–139.8; D26/26, 51, 118, 73; 439/105, 650–652; 362/226, 806

FIG. 1 is a front, left side perspective view of a combined receptacle adapter and light;
FIG. 2 is a front view thereof;
FIG. 3 is a left side elevational view thereof, the right side elevational view being a mirror image;
FIG. 4 is a top view thereof;
FIG. 5 is a bottom view thereof; and,
FIG. 6 is a rear elevational view thereof.

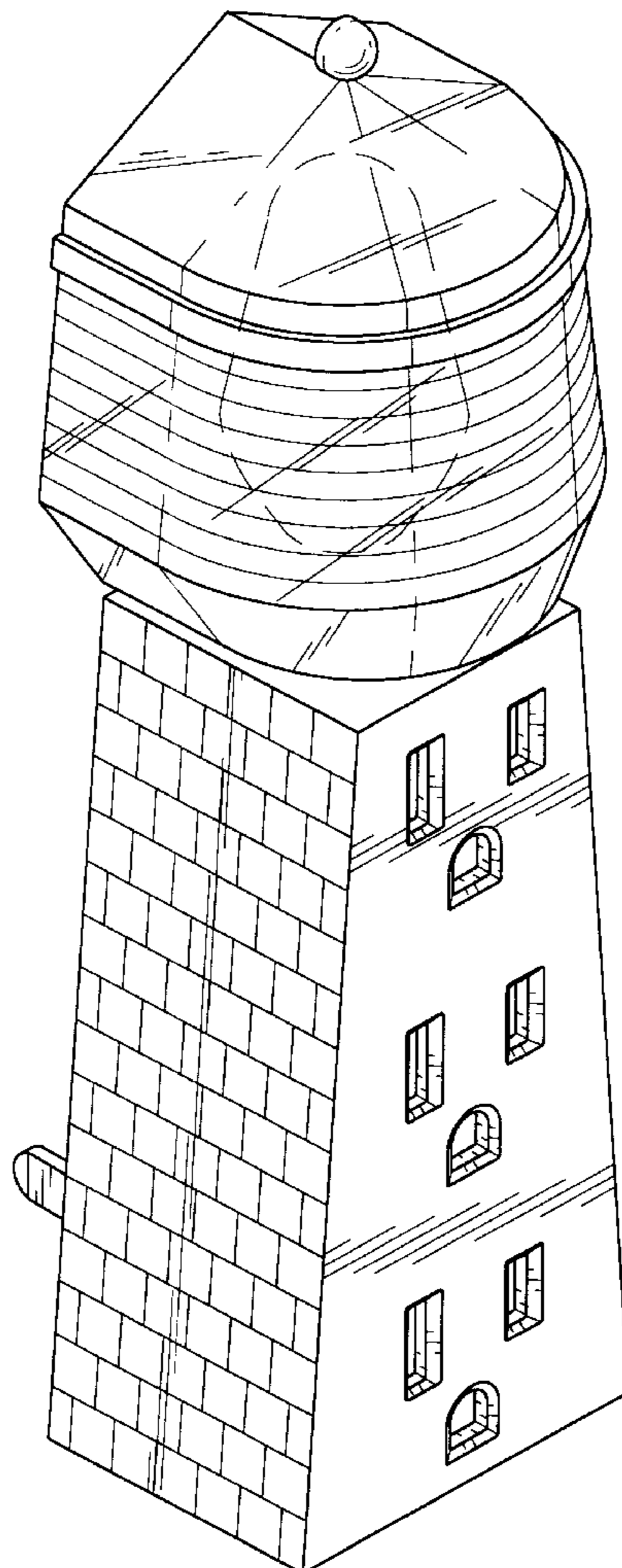
[56] References Cited

U.S. PATENT DOCUMENTS

D. 46,881 1/1915 Jennings D26/73
D. 342,798 12/1993 Ancona et al. D26/26
D. 346,360 4/1994 Kiegler D13/137.1
D. 368,535 4/1996 Braviroff D26/26

The broken lines are shown for illustrative purposes only and form no part of the claimed design.

1 Claim, 3 Drawing Sheets



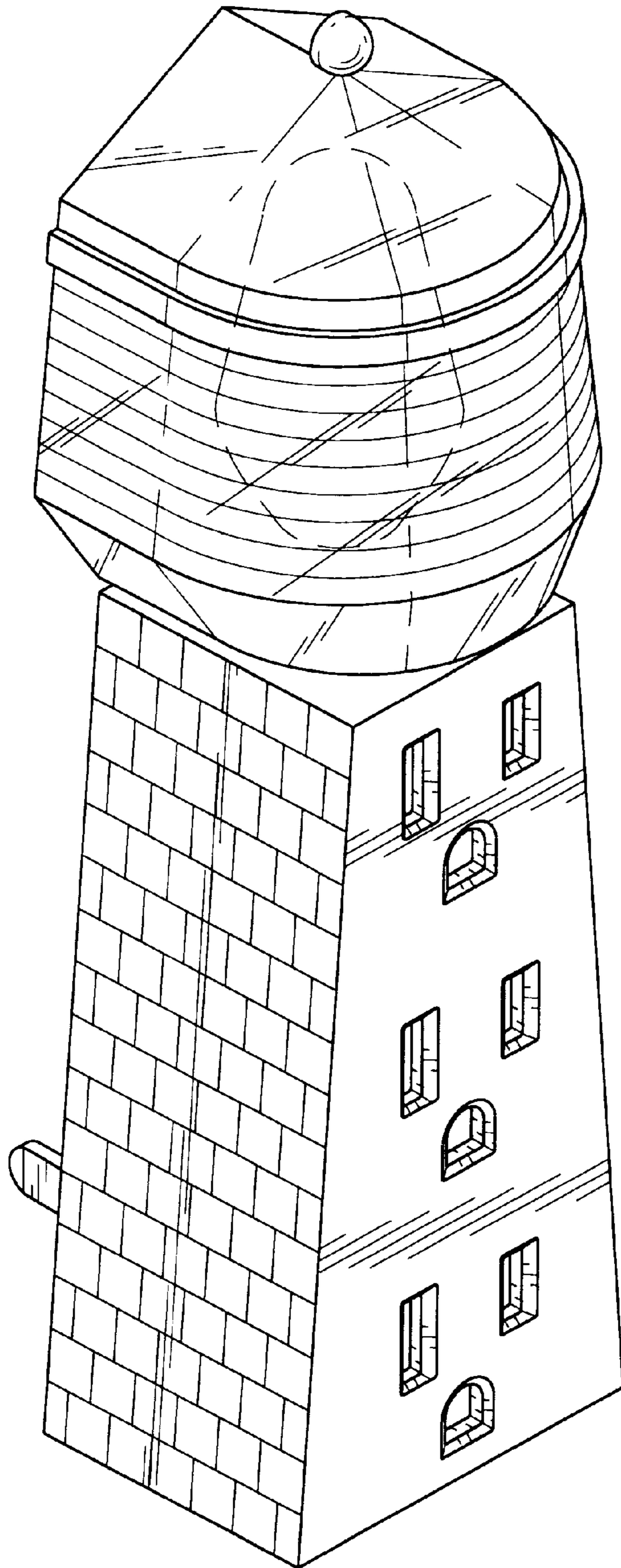


FIG. 1

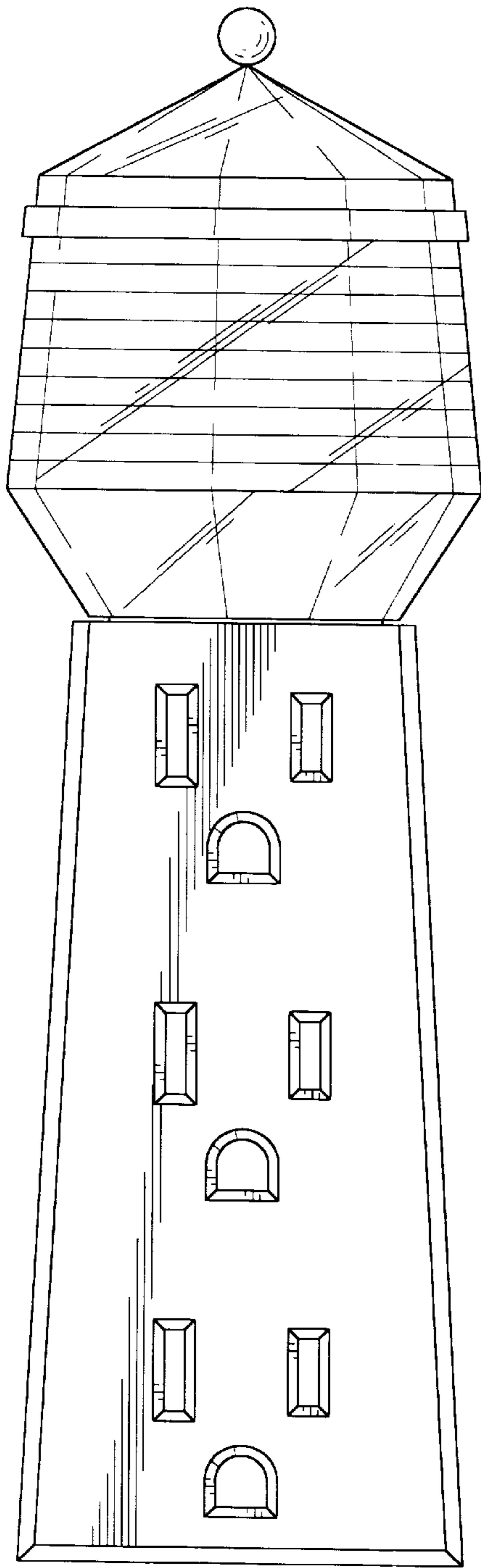


FIG. 2

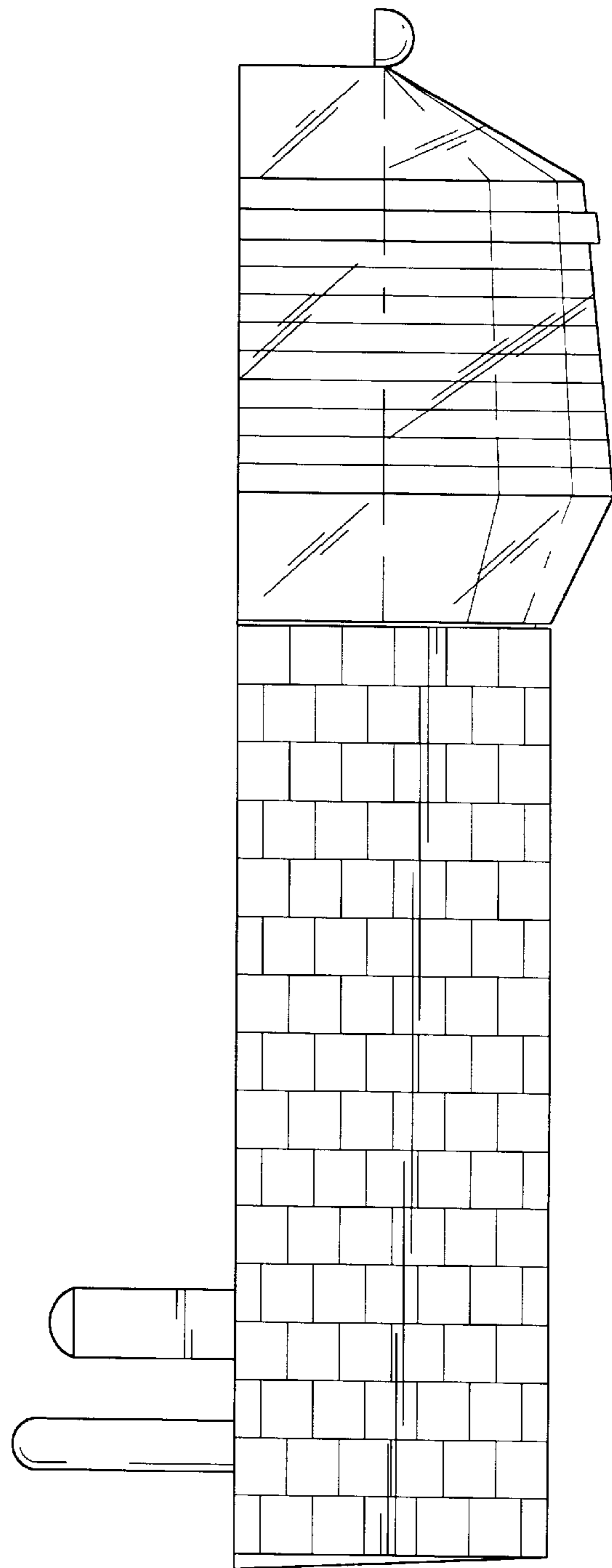


FIG. 3

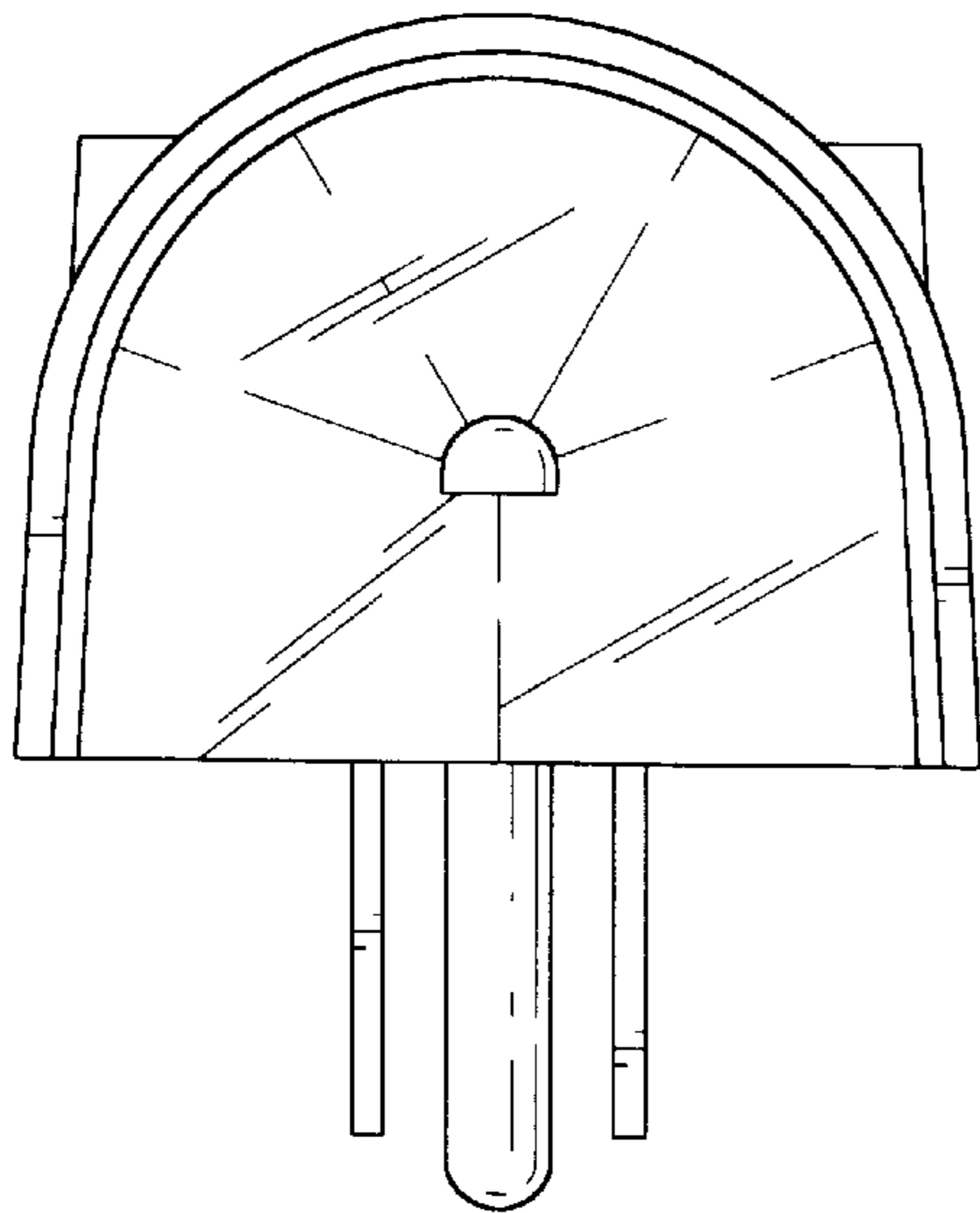


FIG. 4

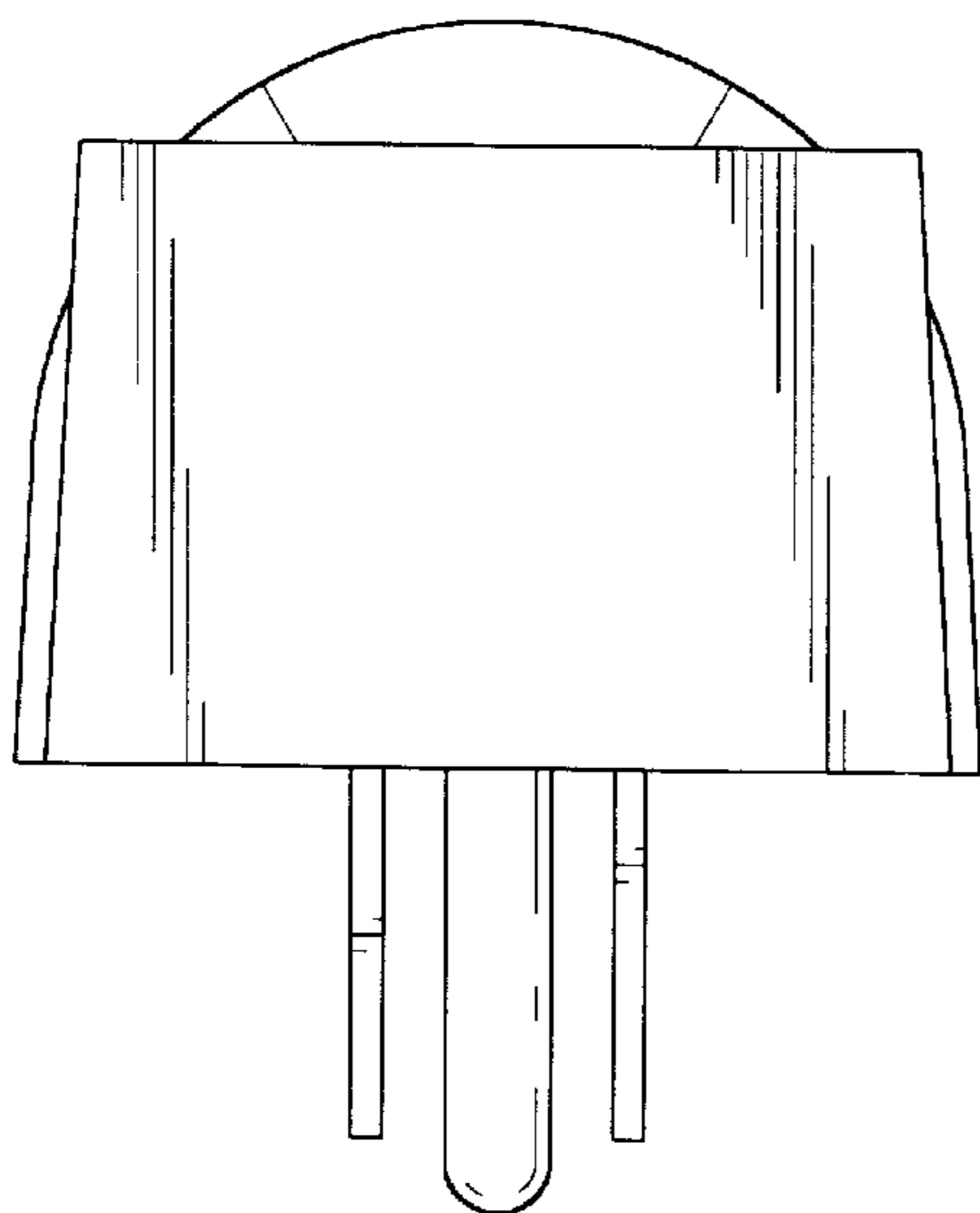


FIG. 5

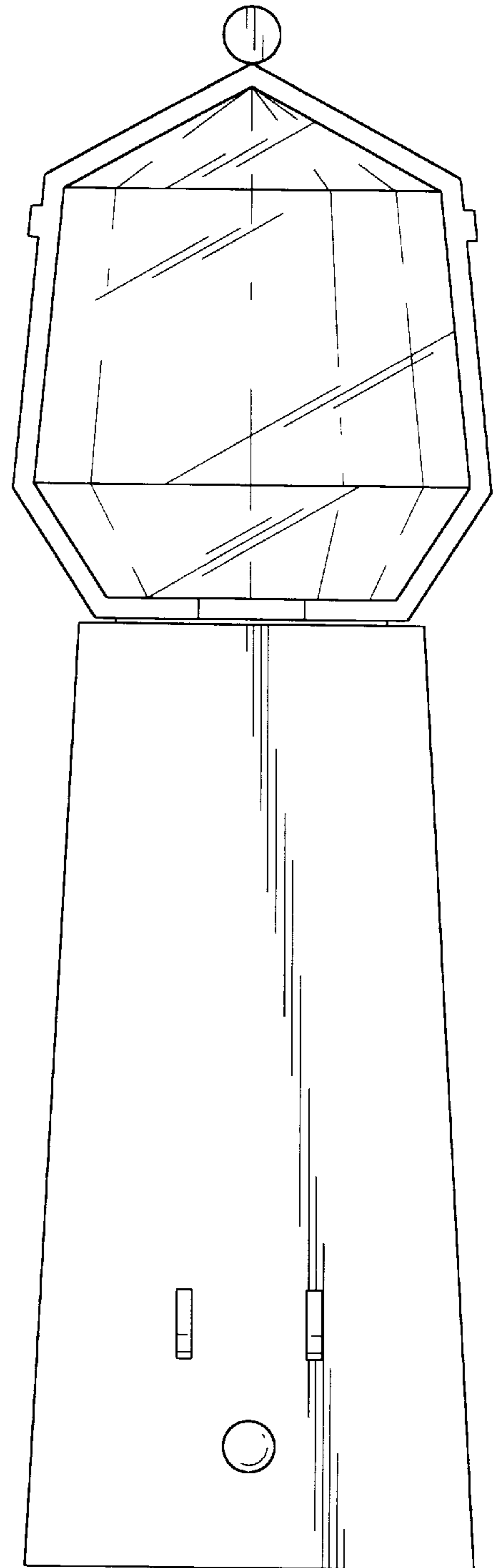


FIG. 6