



US00D422963S

**United States Patent** [19]  
**Hakoda**

[11] **Patent Number: Des. 422,963**  
[45] **Date of Patent: \*\* Apr. 18, 2000**

[54] **COMBINED BATTERY CHARGER AND KEYBOARD**

[75] Inventor: **Katsuhisa Hakoda**, Tokyo, Japan

[73] Assignee: **Sony Corporation**, Tokyo, Japan

[\*\*] Term: **14 Years**

[21] Appl. No.: **29/097,858**

[22] Filed: **Dec. 16, 1998**

[30] **Foreign Application Priority Data**

Jun. 16, 1998 [JP] Japan ..... 10-17012

[51] **LOC (6) Cl.** ..... **13-02**

[52] **U.S. Cl.** ..... **D13/107; D14/106; D14/115**

[58] **Field of Search** ..... D14/100, 101, D14/106, 107, 113, 115; D18/1, 7; 235/145 A, 145 R; 341/22, 23; 345/104, 156, 168, 169, 173; 361/680-686; 364/708.1; 400/486, 489; D13/107

[56] **References Cited**

**U.S. PATENT DOCUMENTS**

- D. 340,037 10/1993 Yokota et al. .... D14/106
- D. 374,215 10/1996 Soderburg ..... D14/106
- D. 388,772 1/1998 Cheng ..... D14/106
- D. 389,146 1/1998 Tan ..... D14/106

**OTHER PUBLICATIONS**

Catalog; "Libretto 60"; Toshiba; Jun. 1997; pp. 1-4.

*Primary Examiner*—Freda Nunn  
*Attorney, Agent, or Firm*—Foley & Lardner

[57] **CLAIM**

The ornamental design for a combined battery charger and keyboard, as shown and described.

**DESCRIPTION**

FIG. 1 is a perspective view of a first embodiment of a combined battery charger and keyboard showing my new design;

FIG. 2 is a top plan view thereof;

FIG. 3 is a left side elevational view thereof;

FIG. 4 is a front elevational view thereof;

FIG. 5 is a bottom plan view thereof;

FIG. 6 is a right side elevational view thereof; and,

FIG. 7 is a rear elevational view thereof.

FIG. 8 is another perspective view thereof, wherein the keyboard portion is in the closed position.

FIG. 9 is a perspective view of a second embodiment of a combined battery charger and keyboard showing my new design;

FIG. 10 is a top plan view thereof;

FIG. 11 is a left side elevational view thereof;

FIG. 12 is a front elevational view thereof;

FIG. 13 is a bottom plan view thereof;

FIG. 14 is a right side elevational view thereof; and,

FIG. 15 is a rear elevational view thereof; and,

FIG. 16 is another perspective view thereof, wherein the keyboard portion is in the closed position.

**1 Claim, 10 Drawing Sheets**

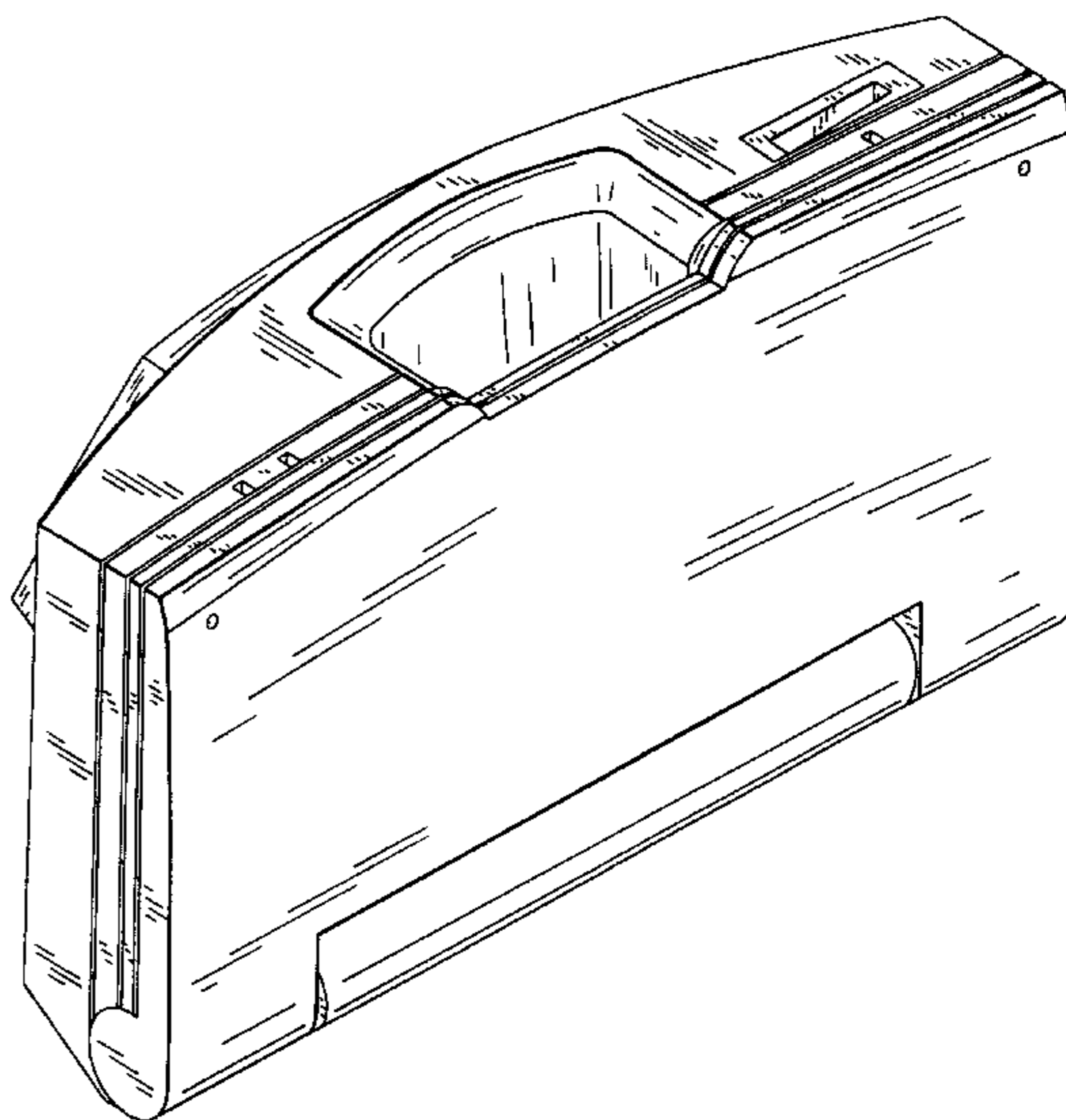
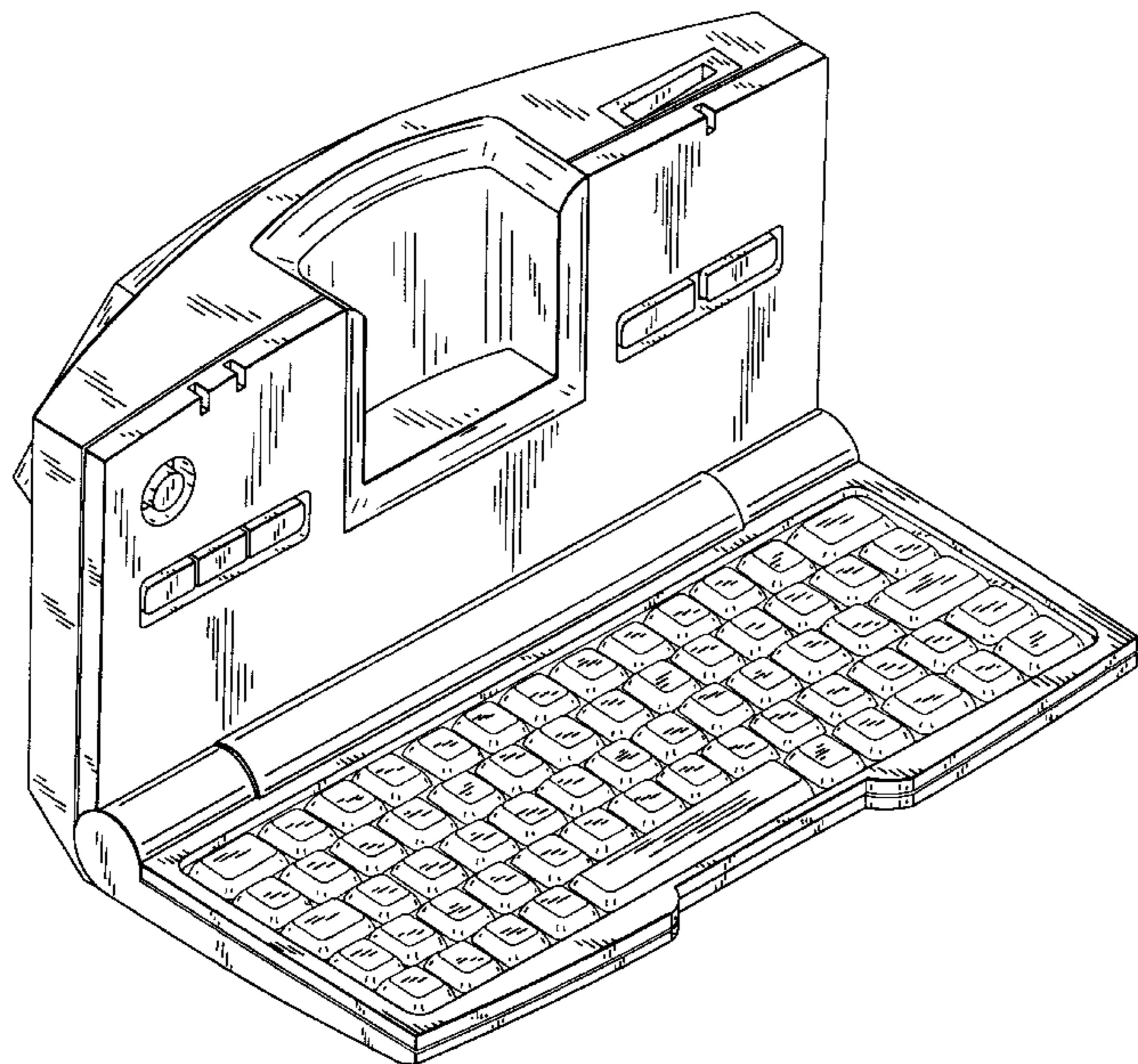


FIG. 1

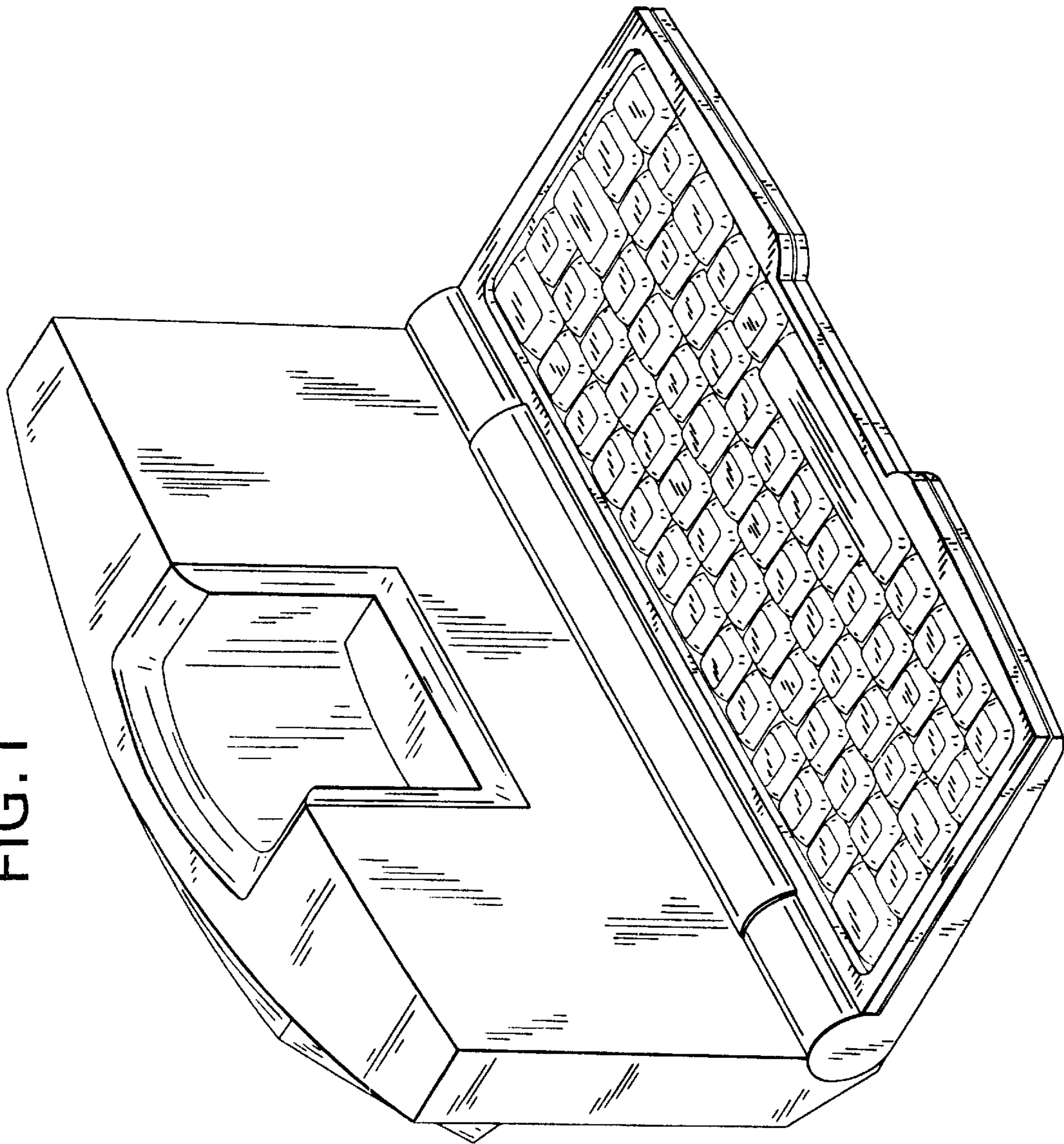


FIG. 5

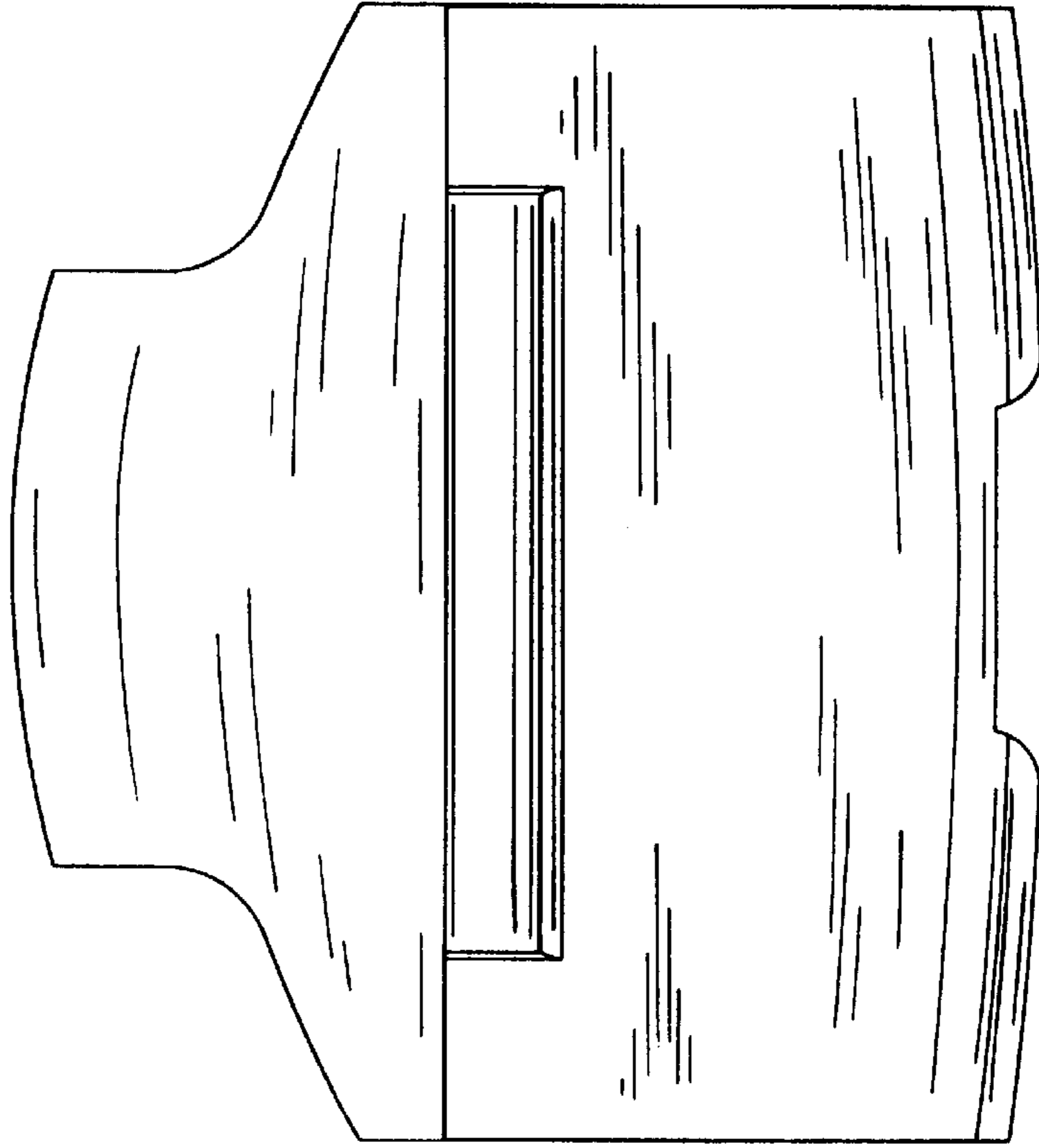


FIG. 2

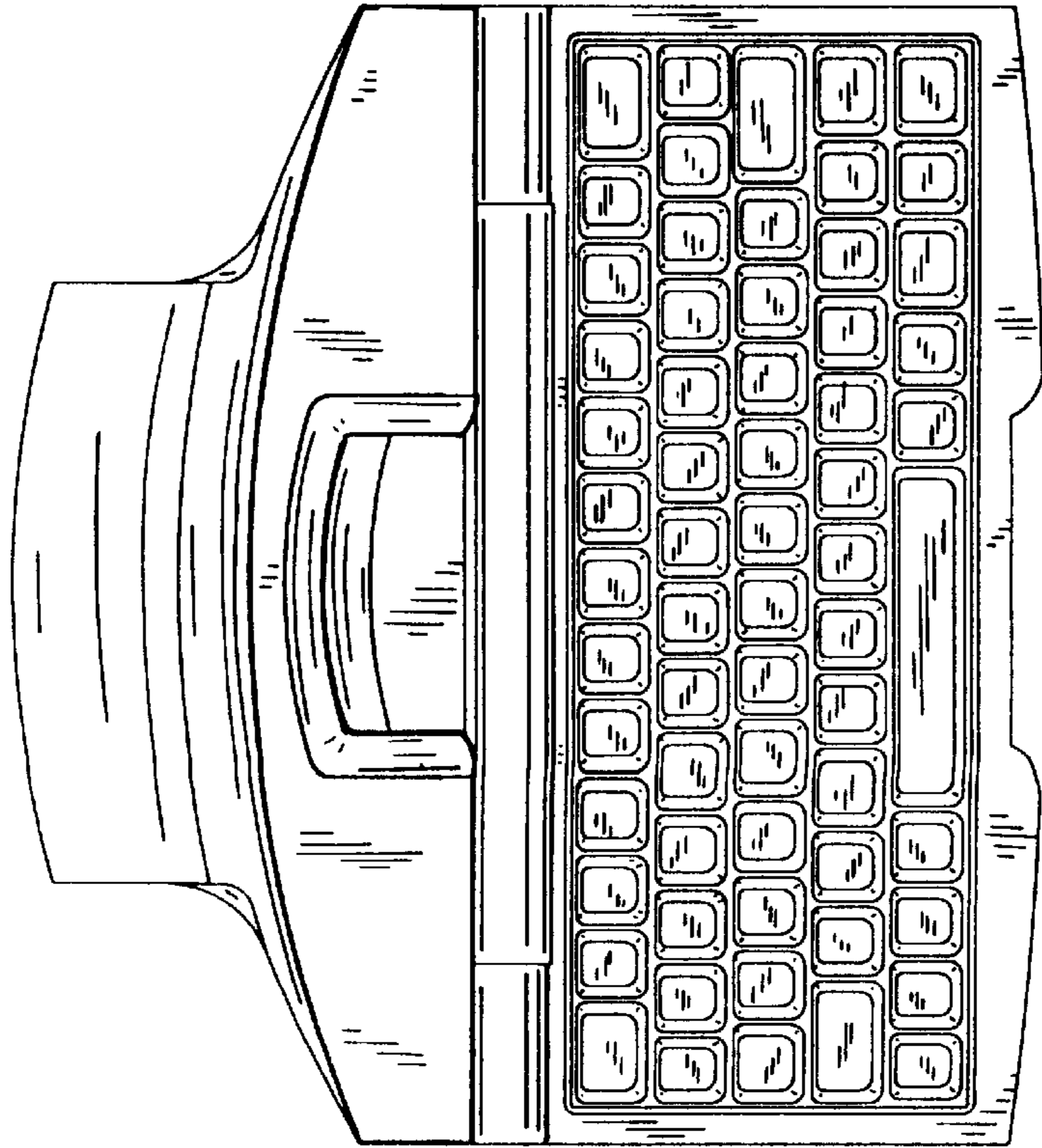


FIG. 6

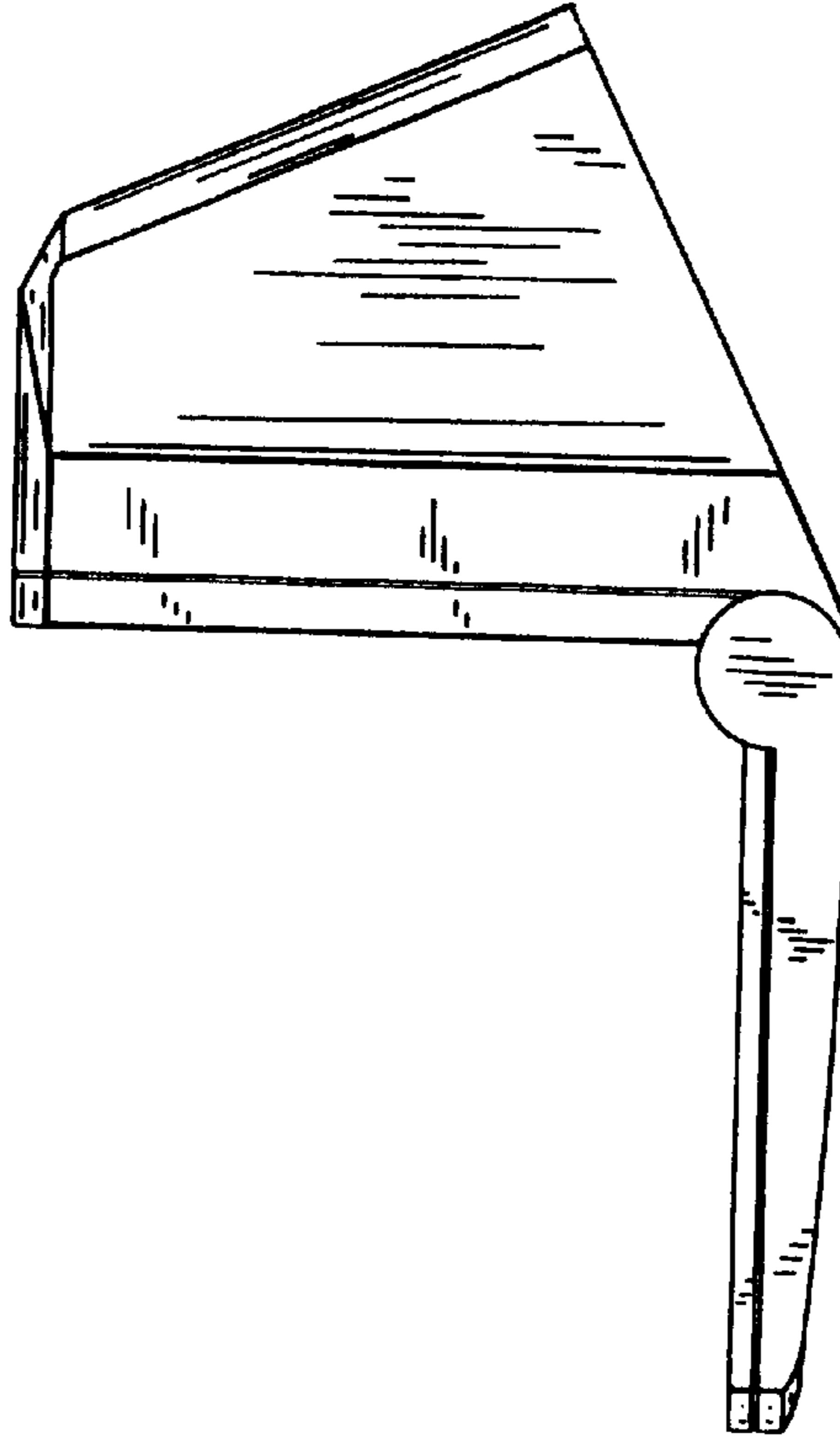


FIG. 3

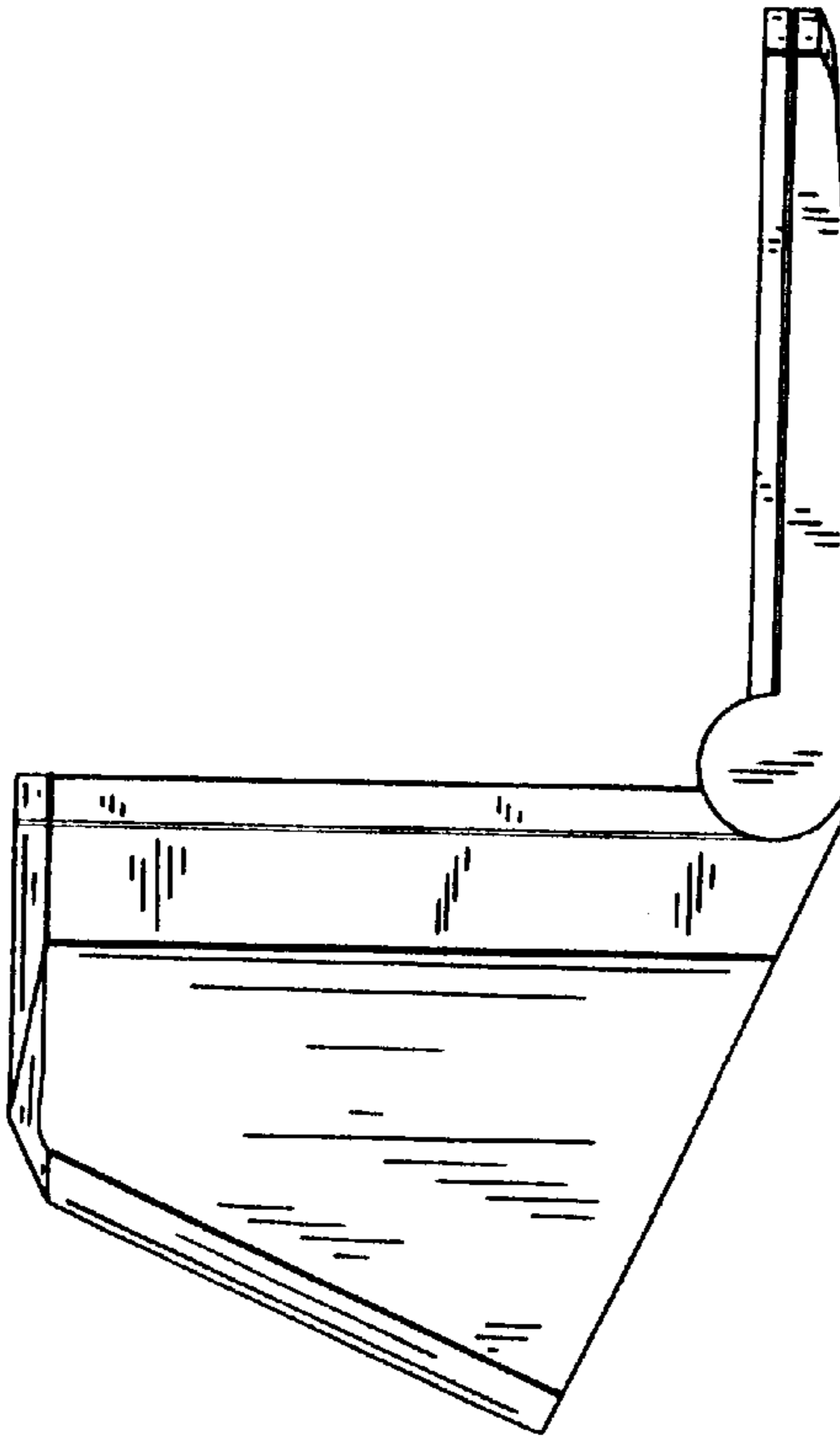


FIG. 7

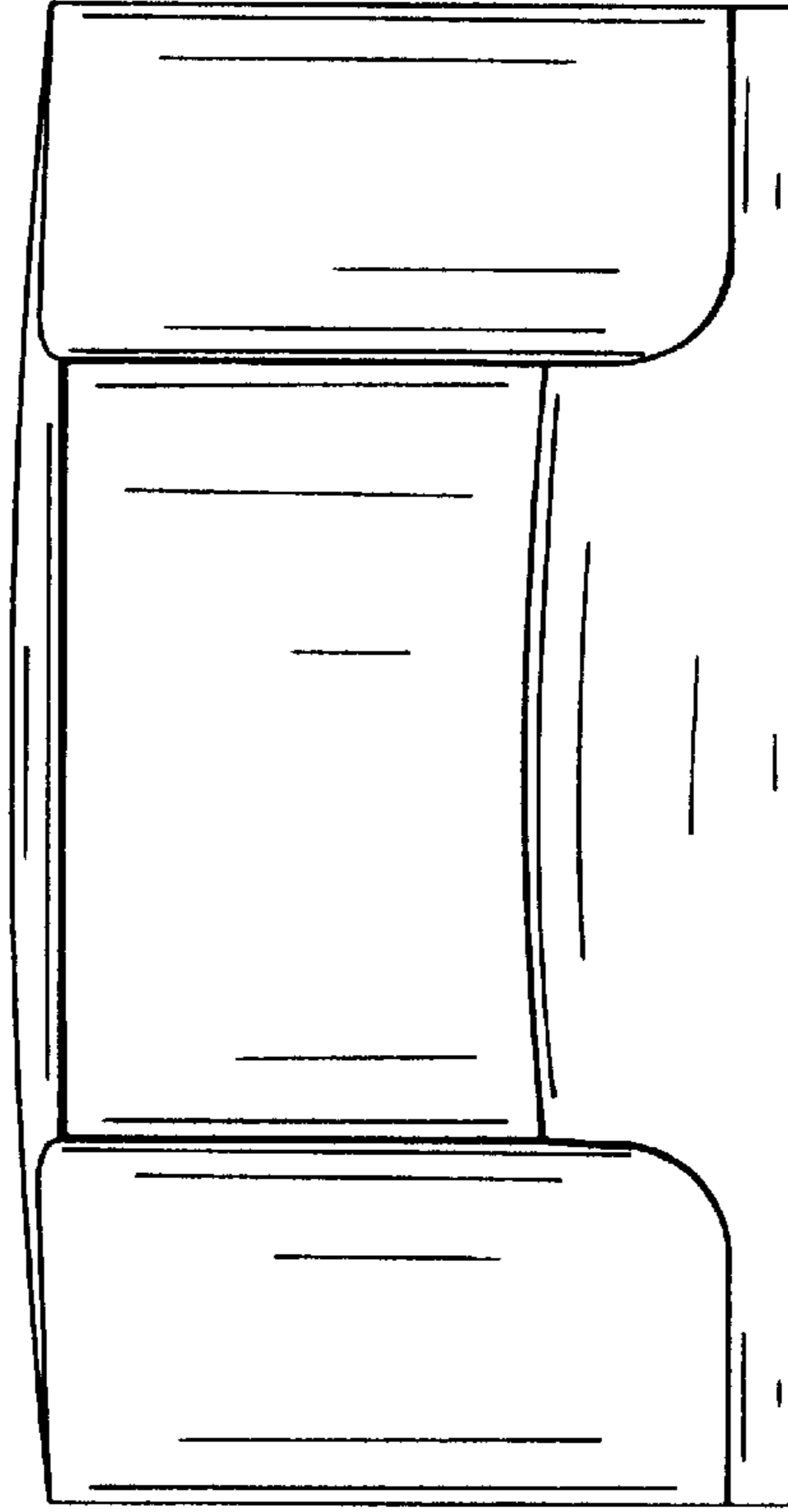


FIG. 4

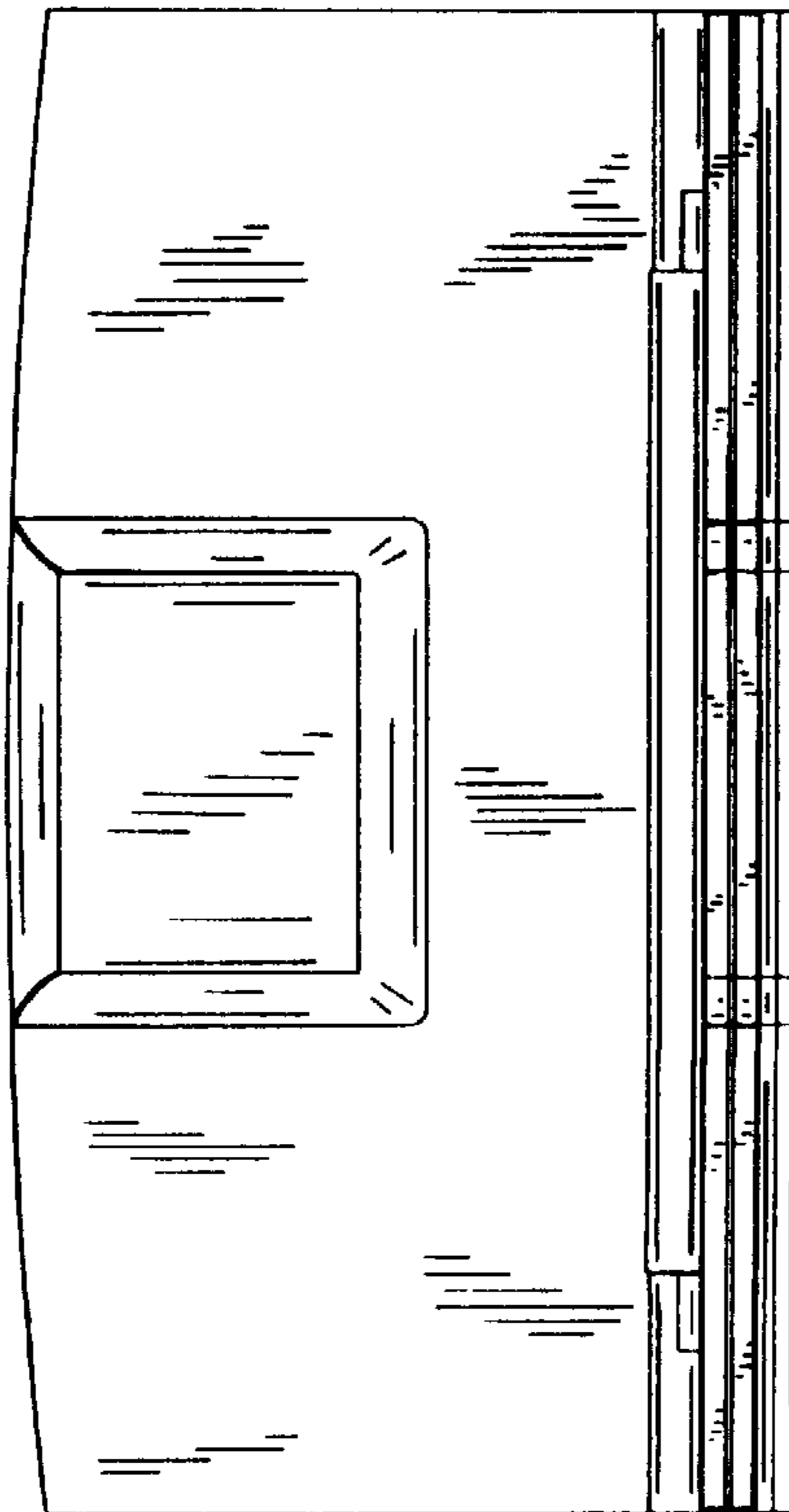


FIG. 8

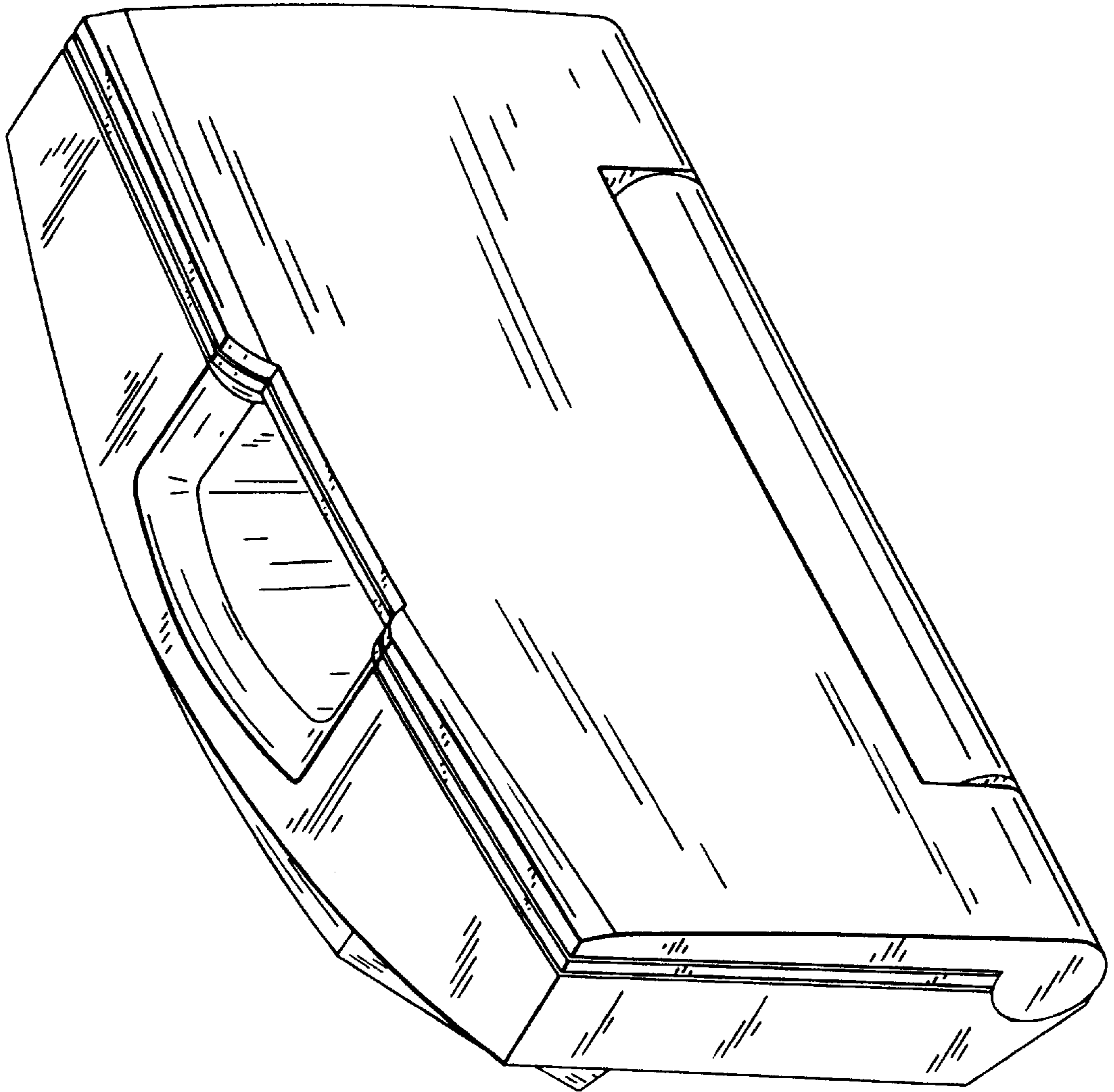


FIG. 9

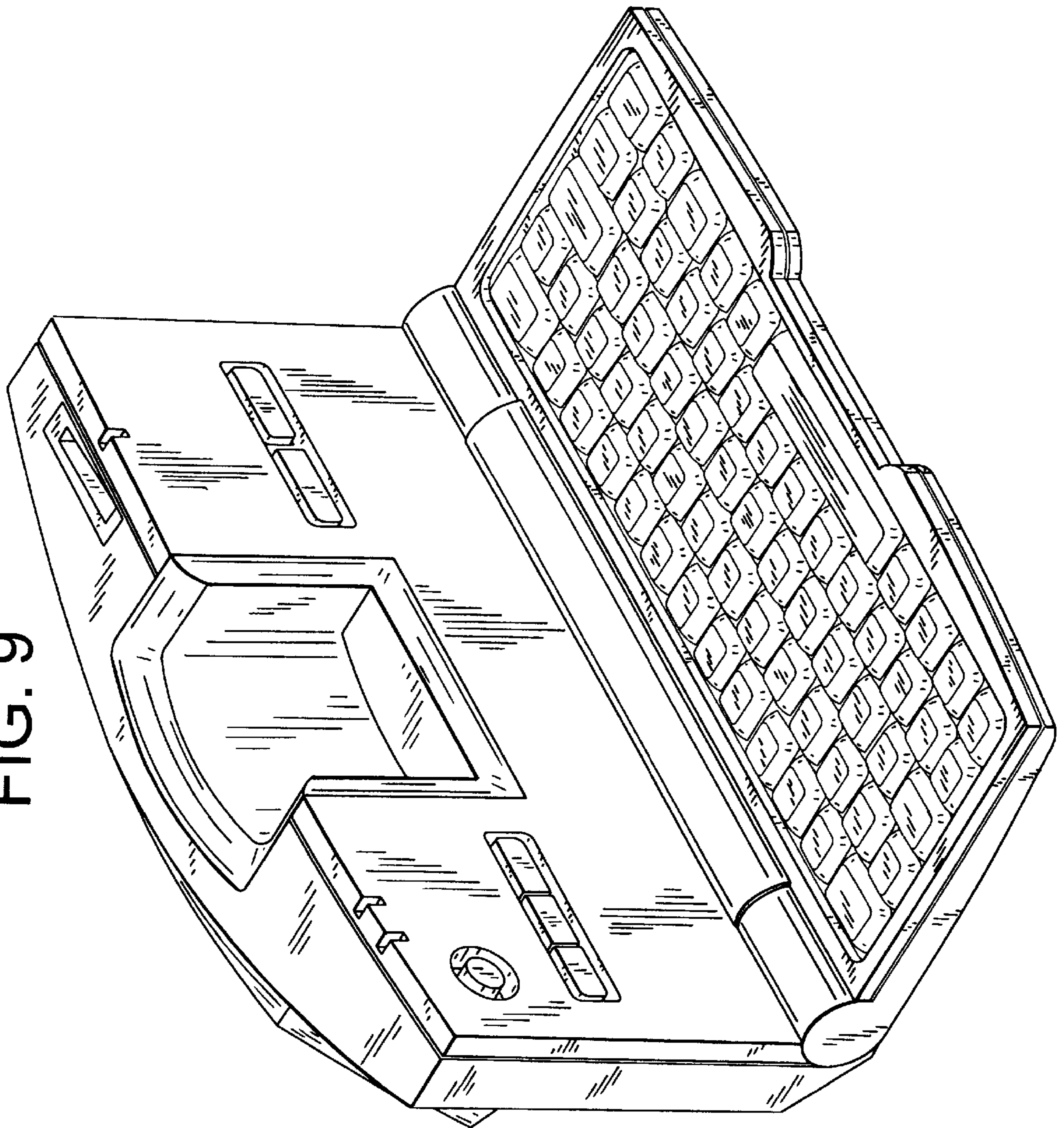


FIG. 13

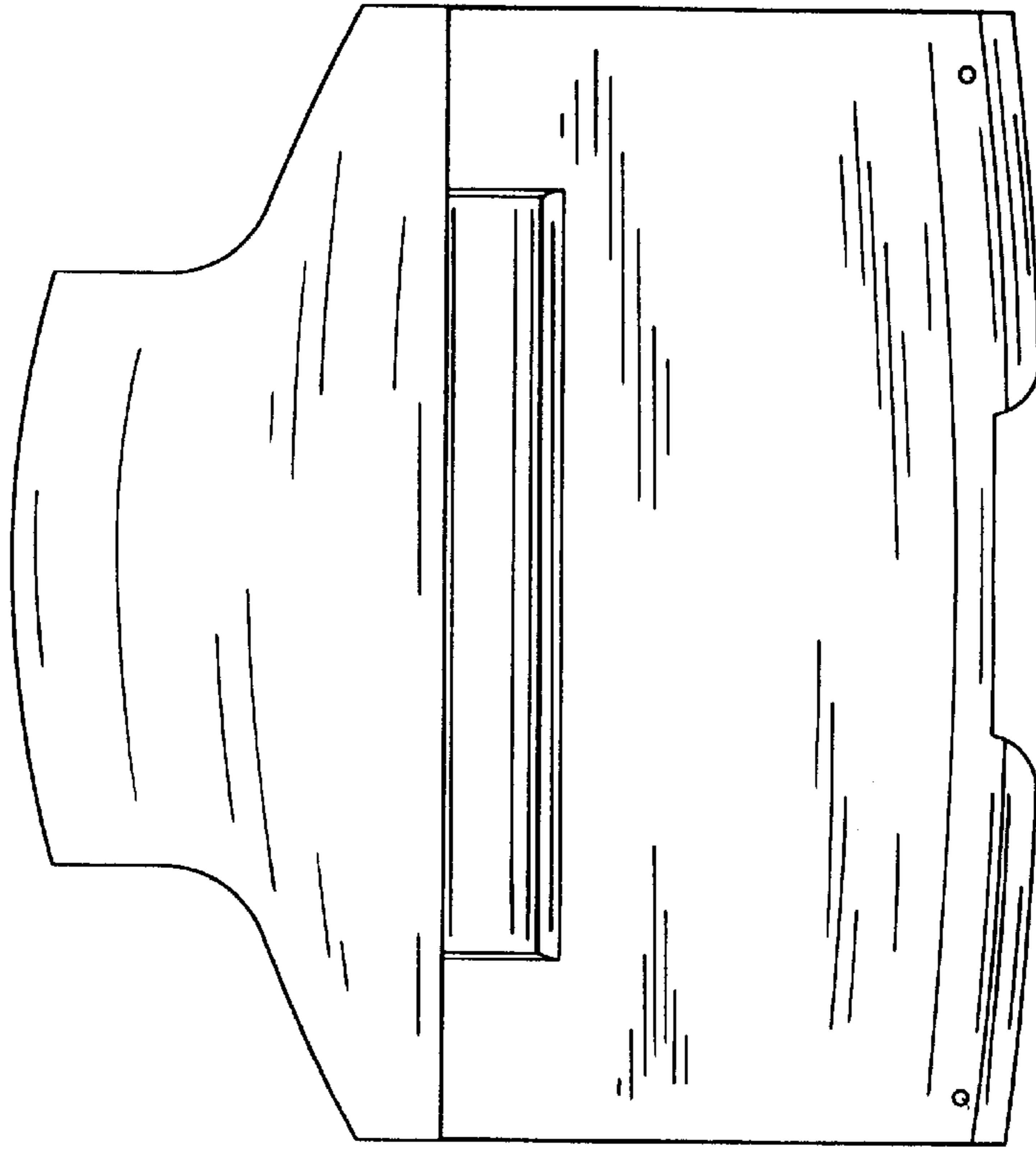


FIG. 10

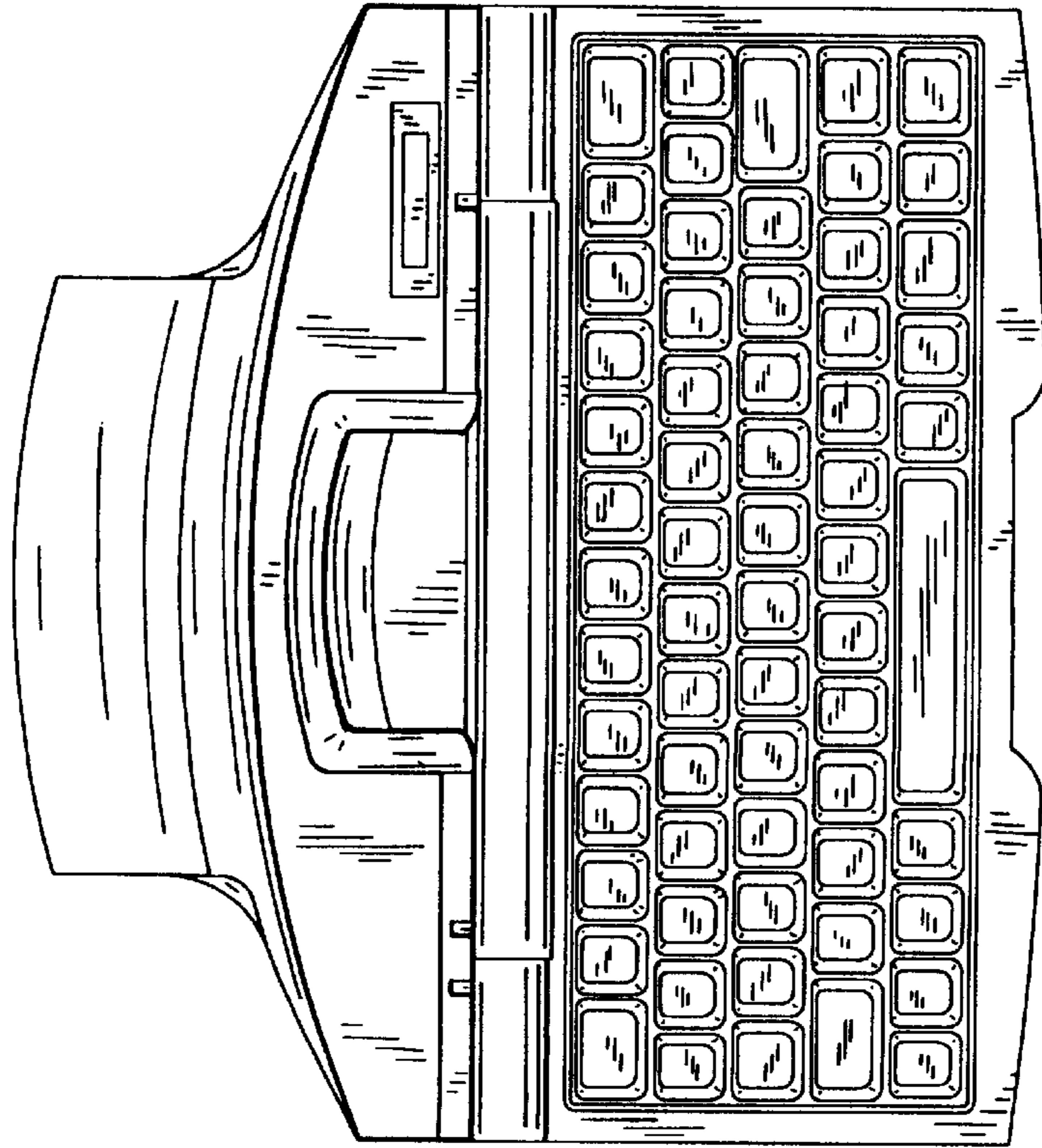




FIG. 14

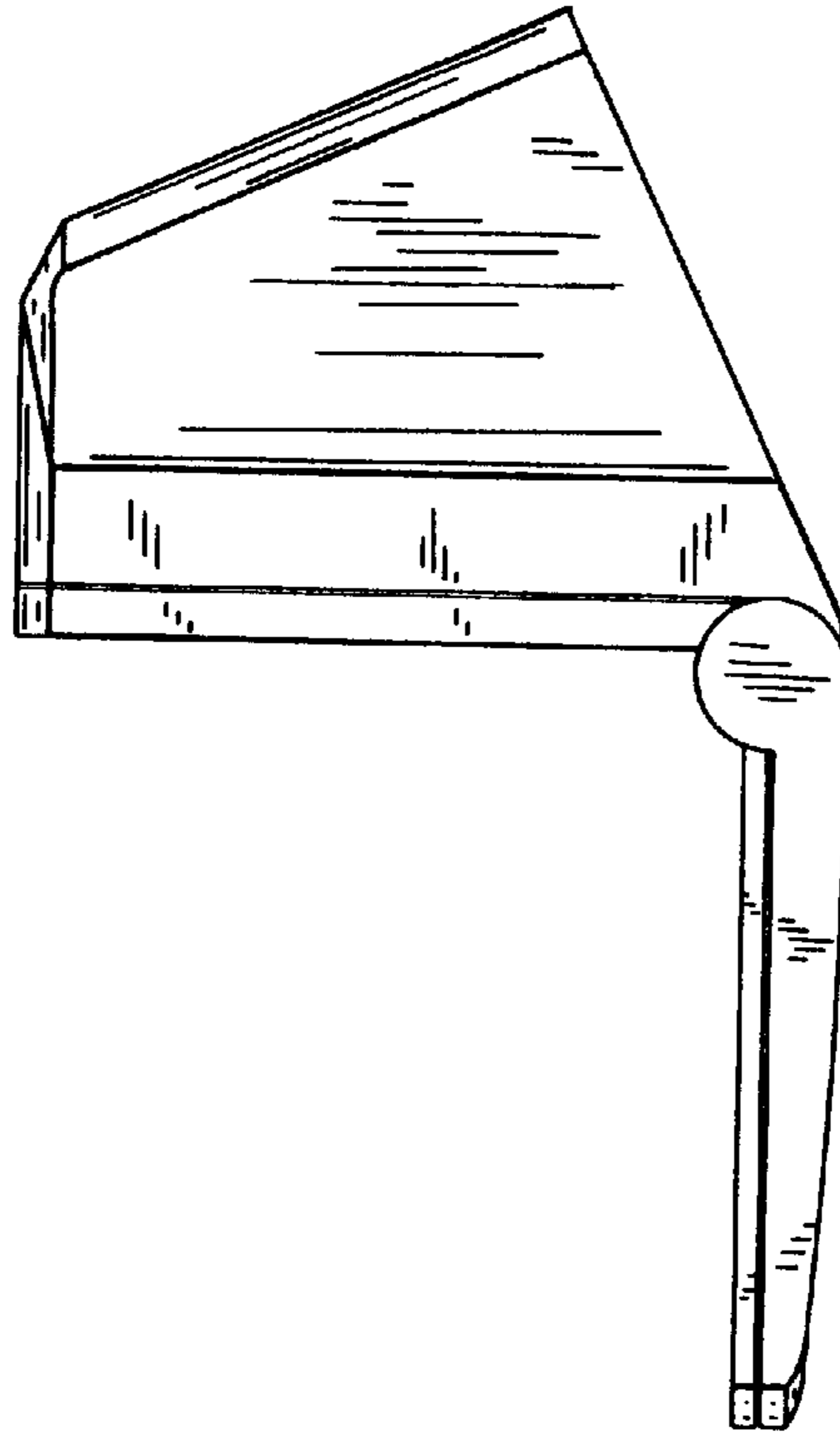


FIG. 11

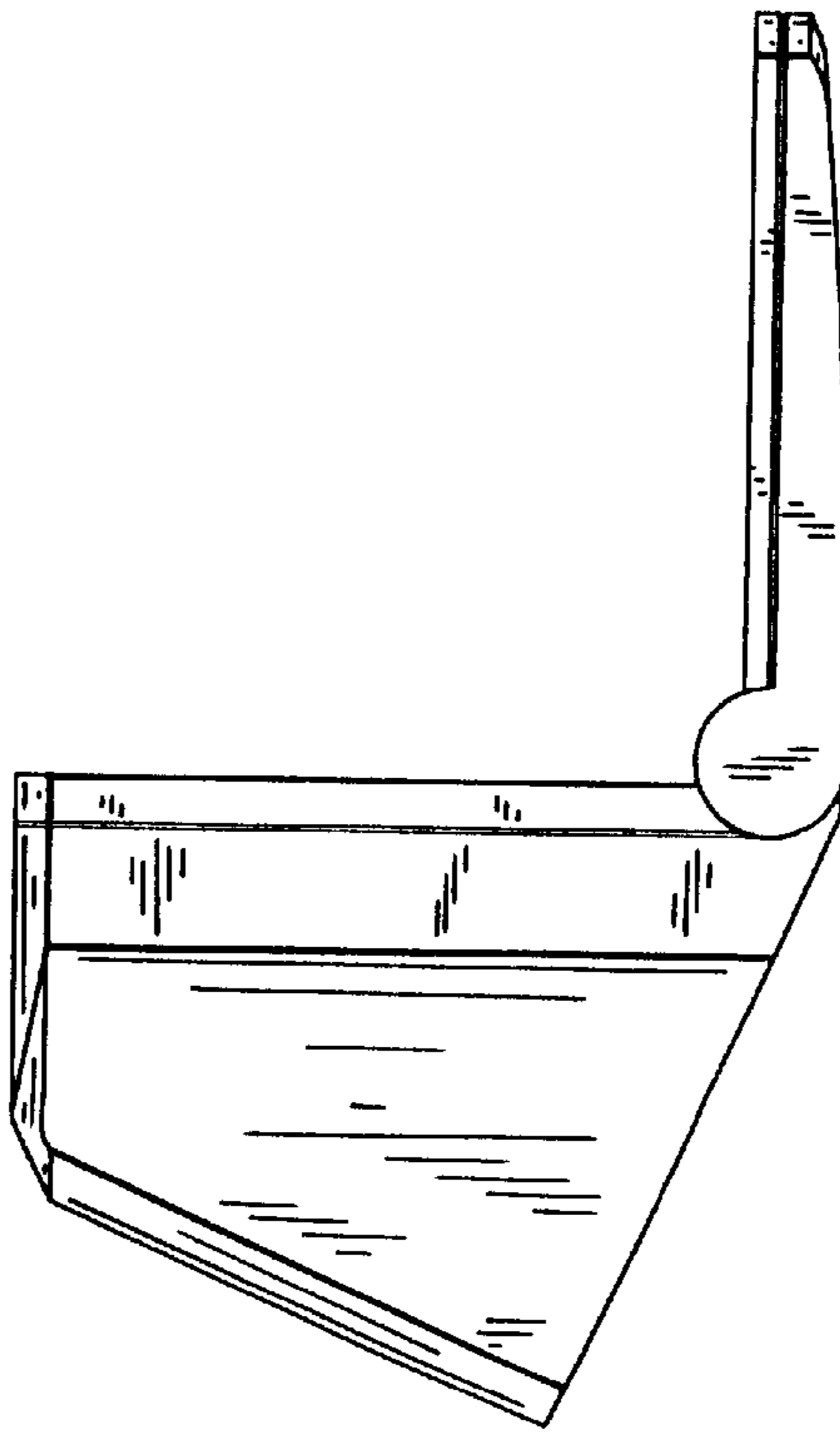


FIG. 15

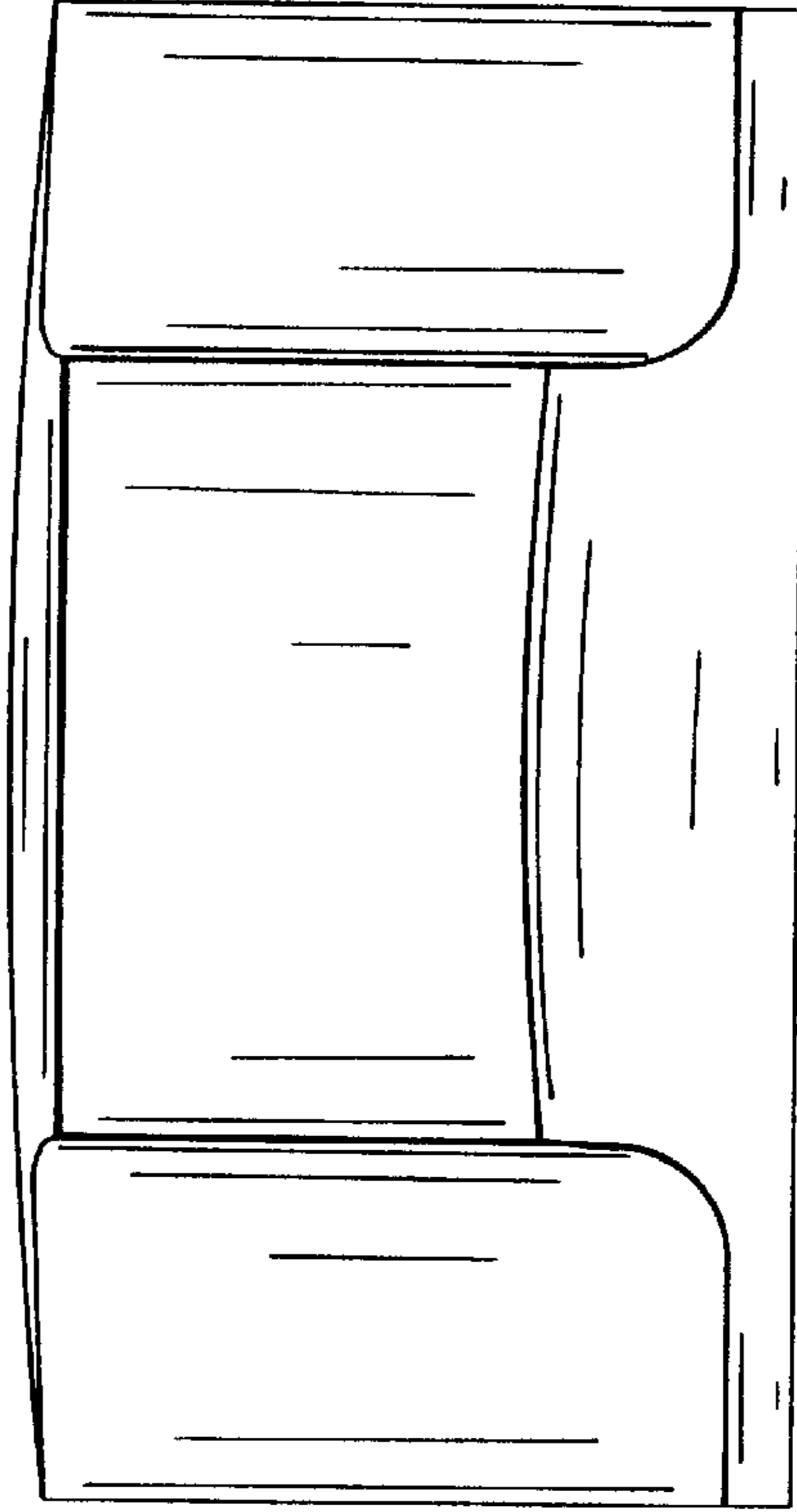


FIG. 12

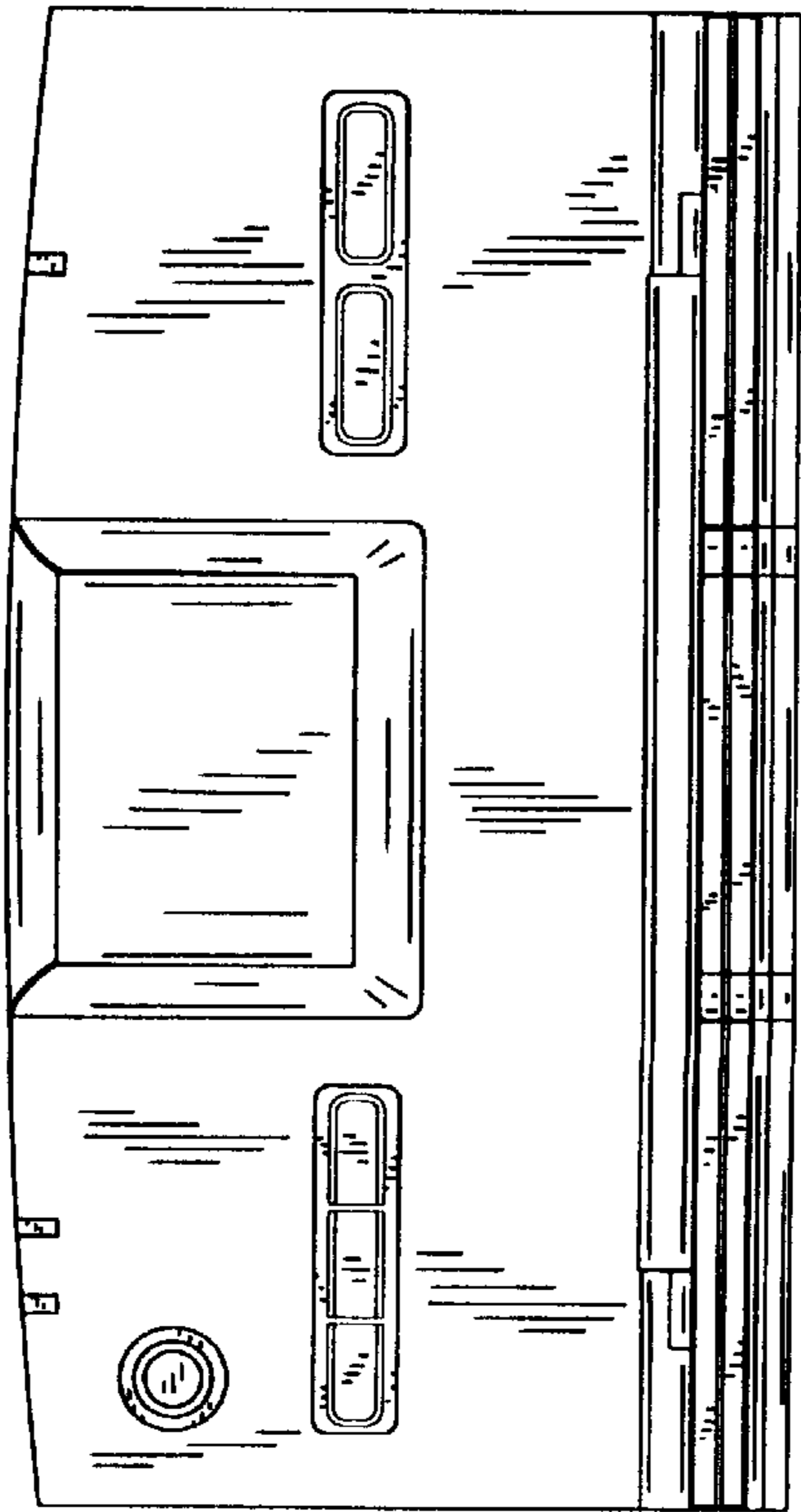


FIG. 16

