



US00D422958S

United States Patent [19] Conway et al.

[11] Patent Number: **Des. 422,958**

[45] Date of Patent: **** Apr. 18, 2000**

[54] **HOOD ORNAMENT**

[75] Inventors: **Scott M. Conway**, Flower Mound;
Louis D. Heilaneh, Lewisville; **Roy J. Roy**, Denton, all of Tex.

[73] Assignee: **PACCAR Inc**, Bellevue, Wash.

[**] Term: **14 Years**

[21] Appl. No.: **29/110,893**

[22] Filed: **Sep. 15, 1999**

[51] **LOC (6) Cl.** **12-16**

[52] **U.S. Cl.** **D12/197**

[58] **Field of Search** D12/197-201;
D11/162, 157; 40/411-413, 424-425

[56] **References Cited**

U.S. PATENT DOCUMENTS

D. 58,147	6/1921	Haun	D12/197
D. 83,176	1/1931	Ruppel	D12/197
D. 86,236	2/1932	Jardine	D12/197
D. 102,007	11/1936	Sebek	D12/201
D. 154,327	6/1949	Russell	D12/197
D. 155,034	8/1949	Prance	D12/197
D. 159,812	8/1950	Jones	D12/197
D. 159,973	9/1950	Foley	D12/201
D. 161,061	11/1950	Sneed	D12/197
D. 161,539	1/1951	Russell	D12/197
D. 166,466	4/1952	Herrmann	D12/197
D. 167,359	7/1952	King	D12/197
D. 167,753	9/1952	Keane	D12/197
D. 172,204	5/1954	Voss	D12/199

D. 172,261	5/1954	Baird	D12/201
D. 175,249	8/1955	Collier	D12/201
D. 179,827	3/1957	Voss	D12/201
D. 182,115	2/1958	Gitschlag	D12/197
D. 199,487	11/1964	Lentini	D12/197
D. 244,184	5/1977	Kubitskey	D12/200

OTHER PUBLICATIONS

PACCAR Inc, "PacLease. Now You're Connected." (Advertisement); First Class magazine, vol. 19, No. 1, Spring 1999, p. 6.

Primary Examiner—Cathron B. Matta
Assistant Examiner—Stacia Cadmus
Attorney, Agent, or Firm—Sidley & Austin

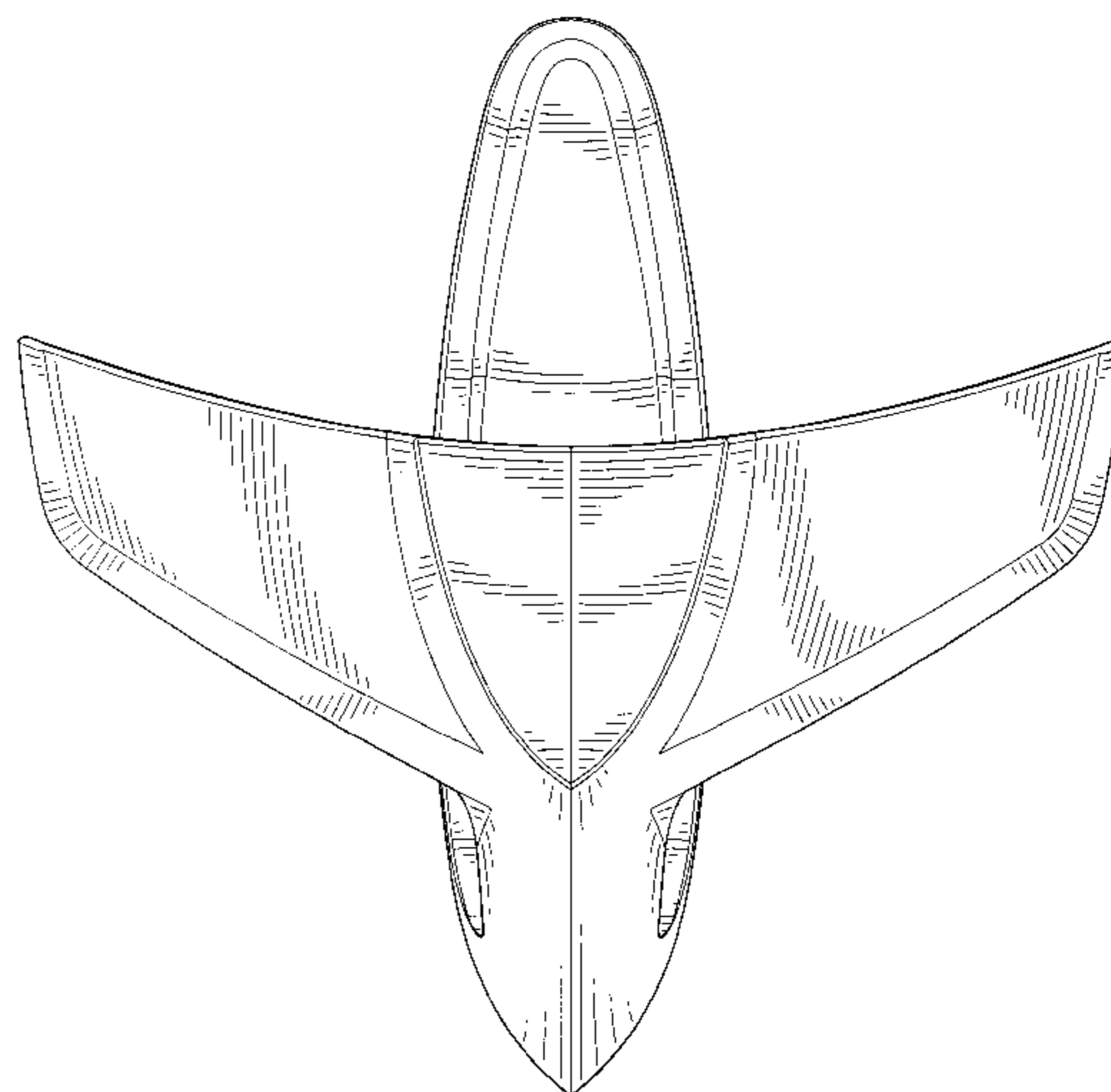
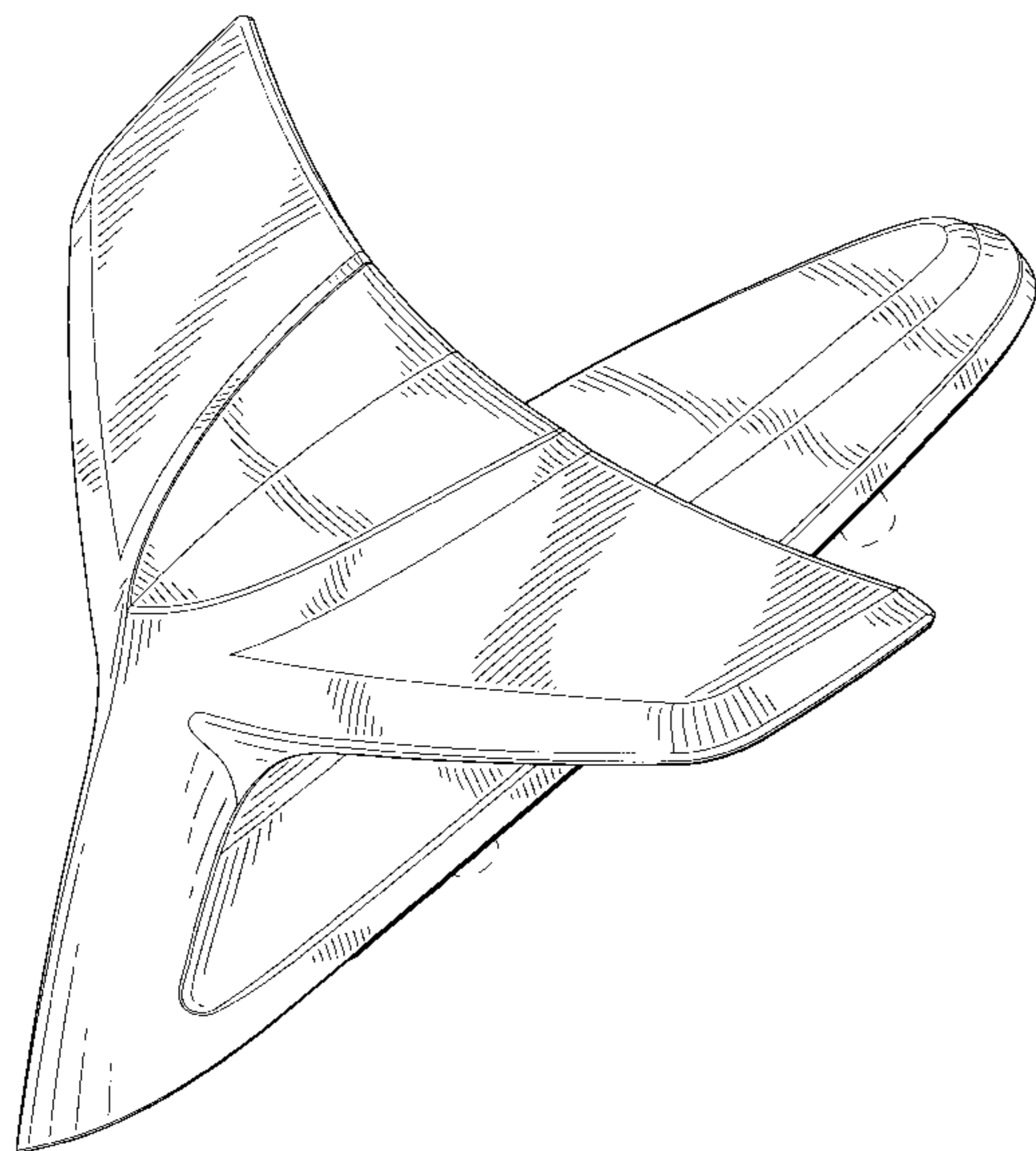
[57] CLAIM

The ornamental design for a hood ornament, as shown and described.

DESCRIPTION

FIG. 1 is a perspective view of a hood ornament showing our new design;
FIG. 2 is a reduced front view thereof;
FIG. 3 is a reduced right side view thereof, the opposite side view being a mirror image of that shown;
FIG. 4 is a reduced rear view thereof;
FIG. 5 is a reduced top view thereof; and,
FIG. 6 is a reduced bottom view thereof.
The mounting hardware shown in broken line is for illustrative purposes only and forms no part of the claimed design.

1 Claim, 4 Drawing Sheets



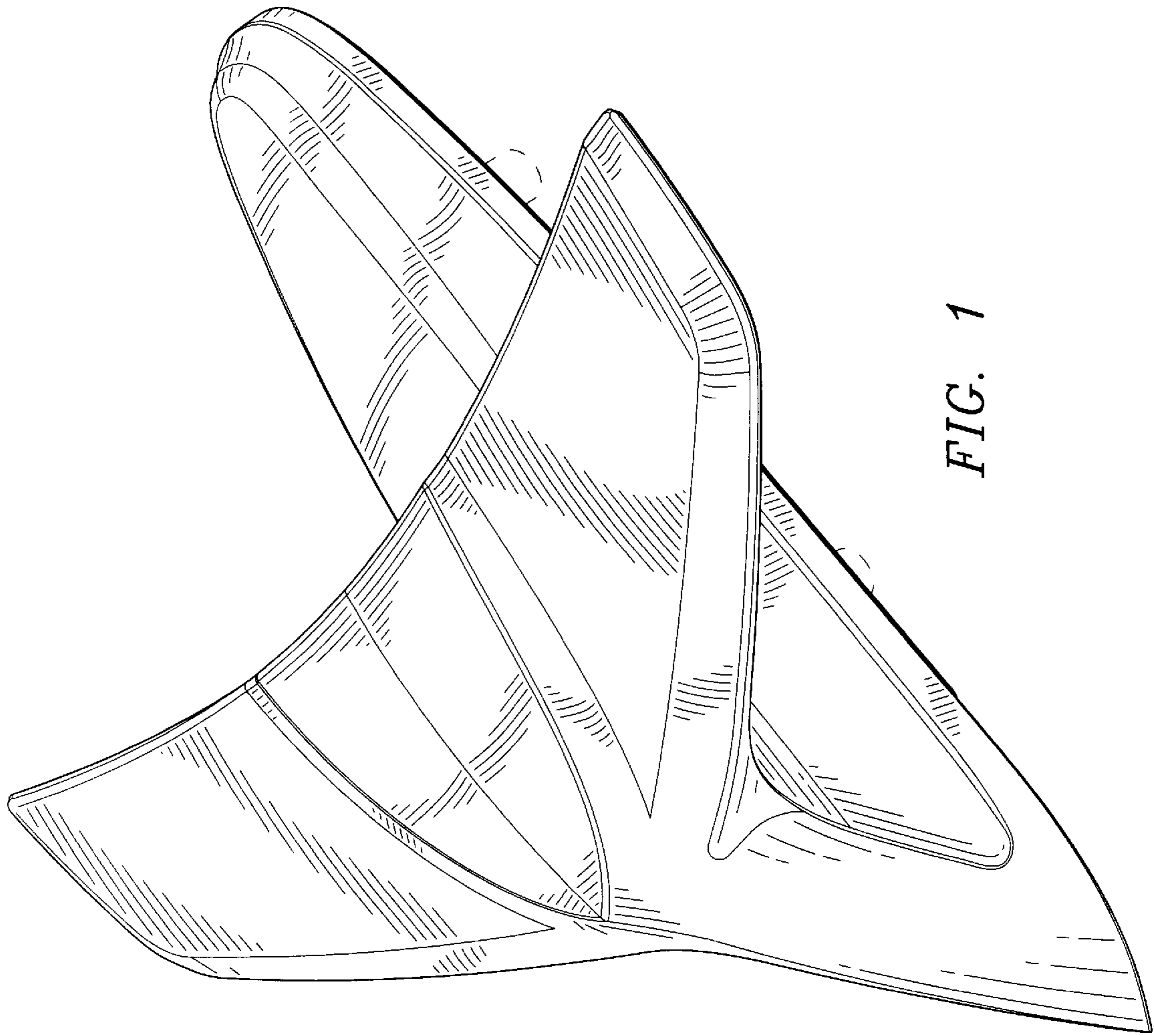


FIG. 1

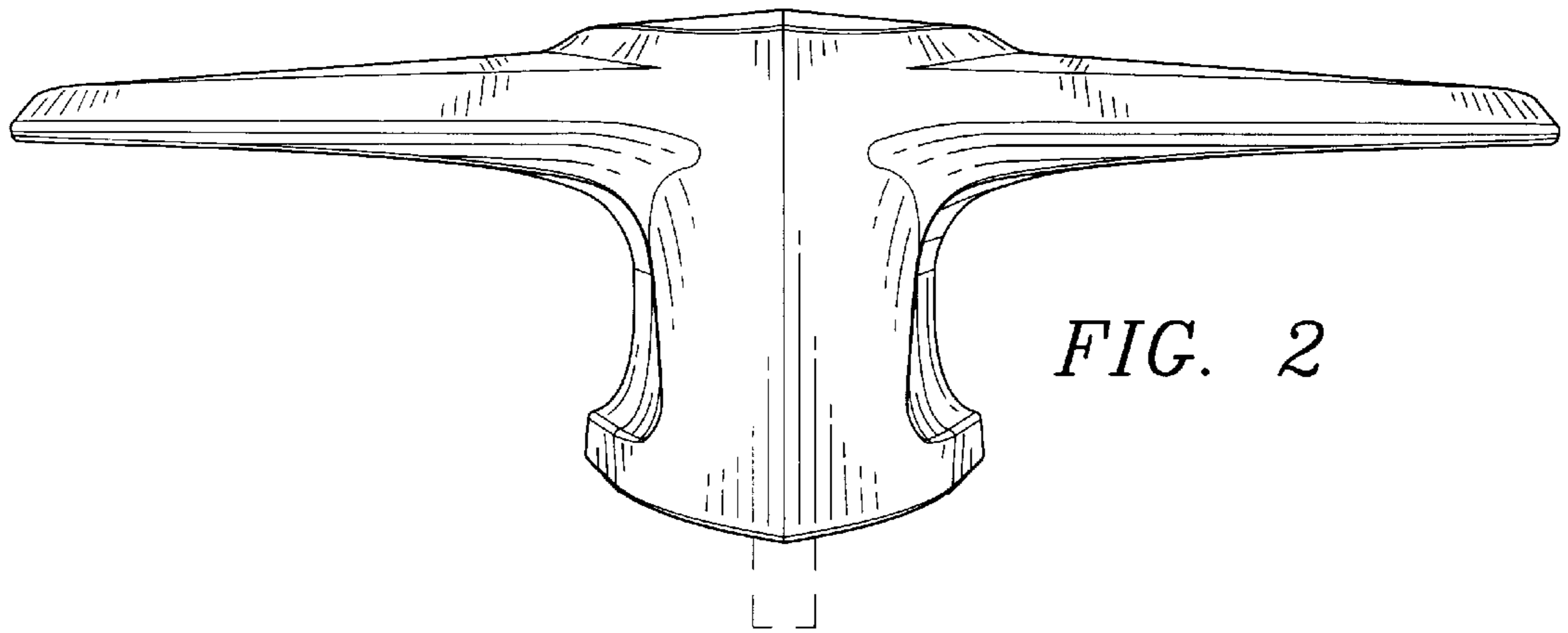


FIG. 2

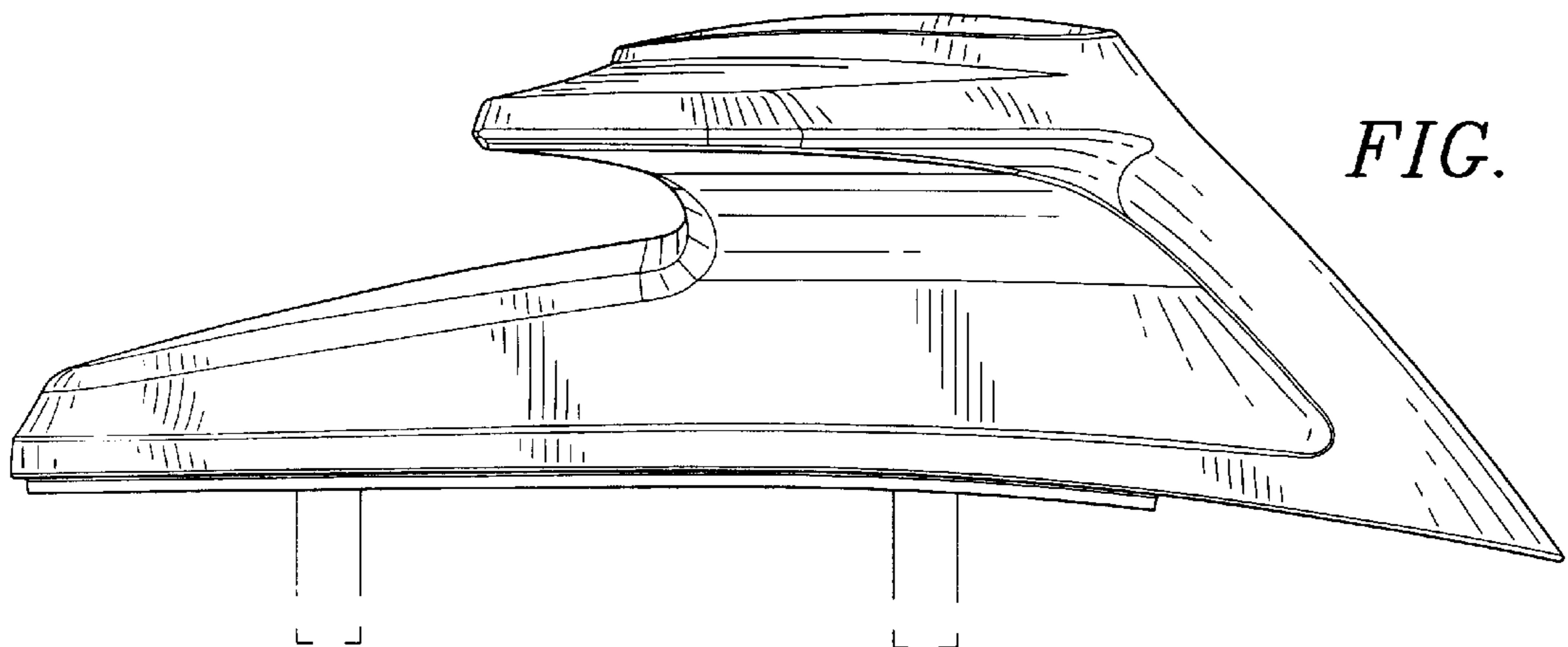


FIG. 3

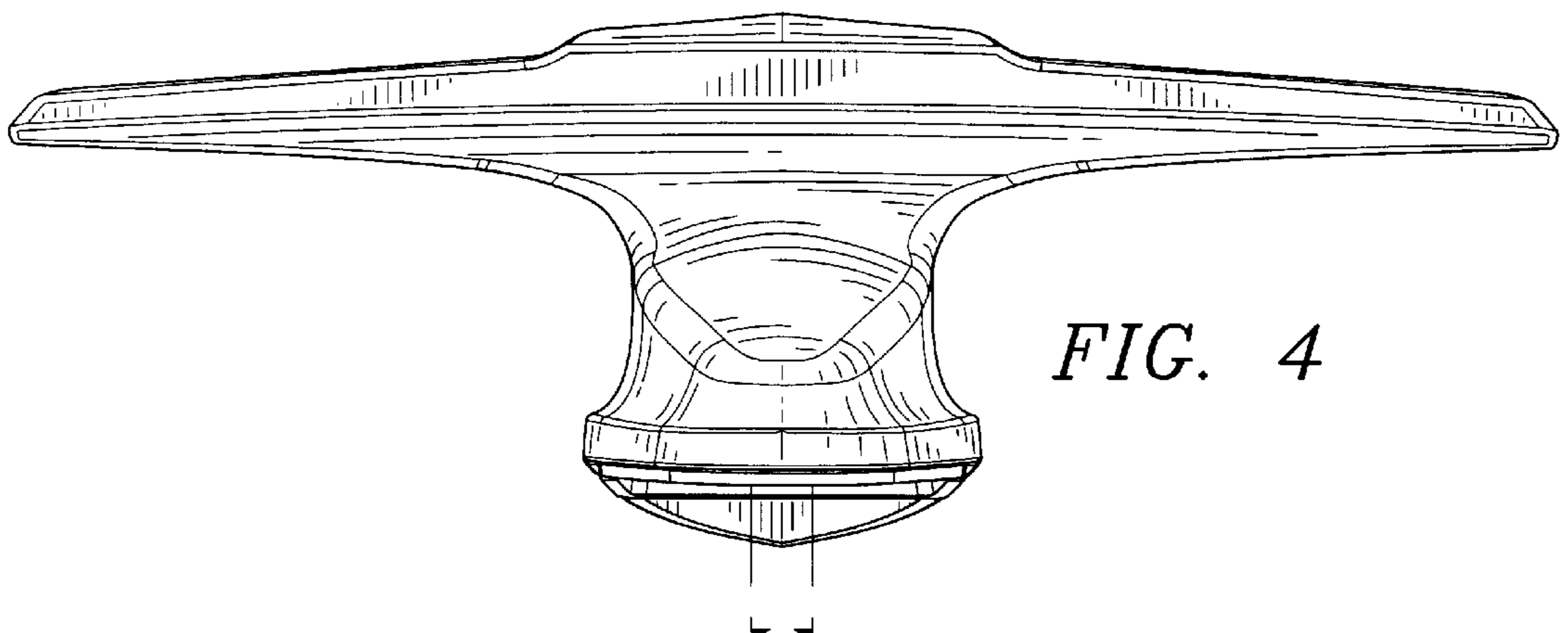


FIG. 4

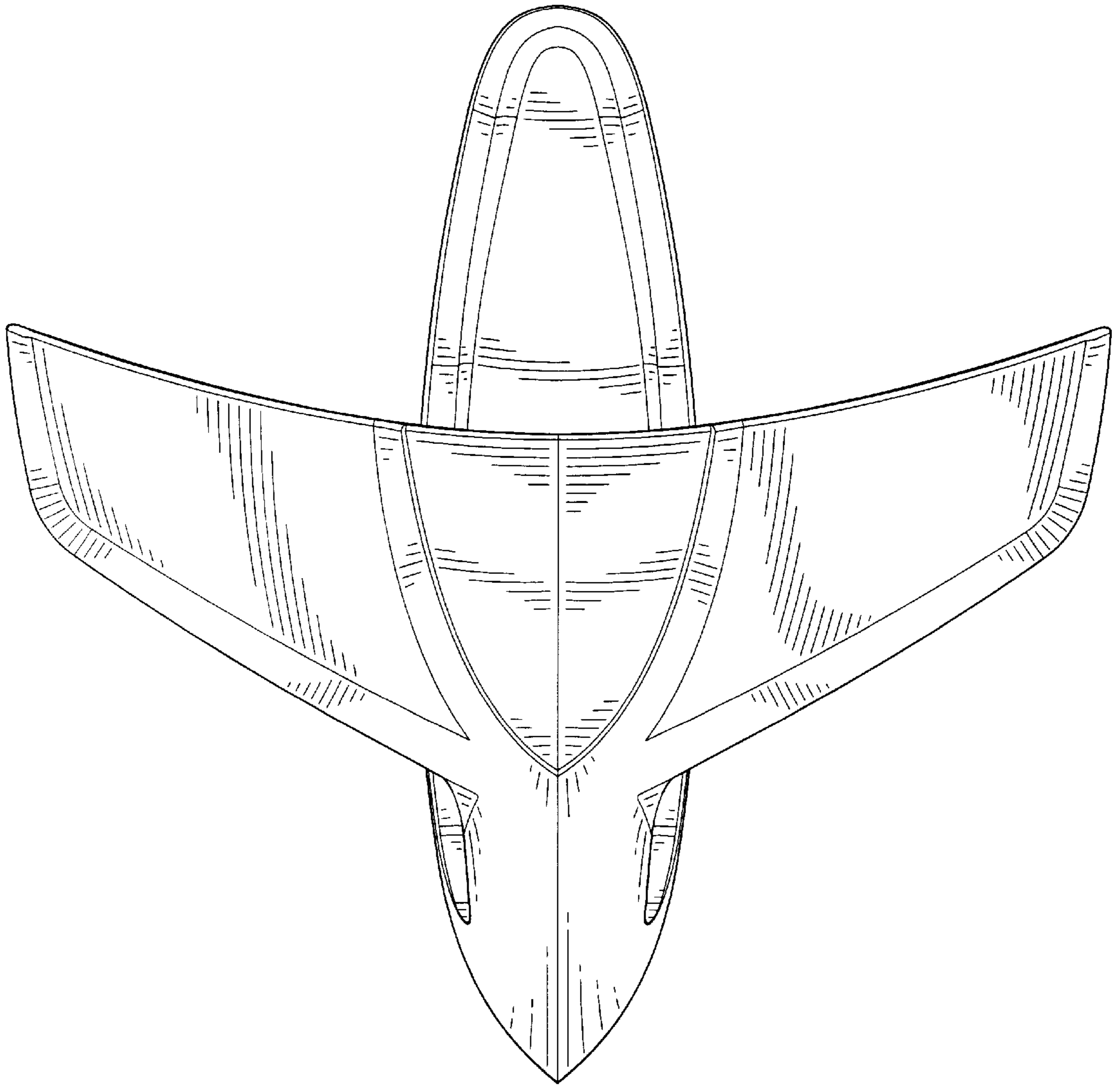


FIG. 5

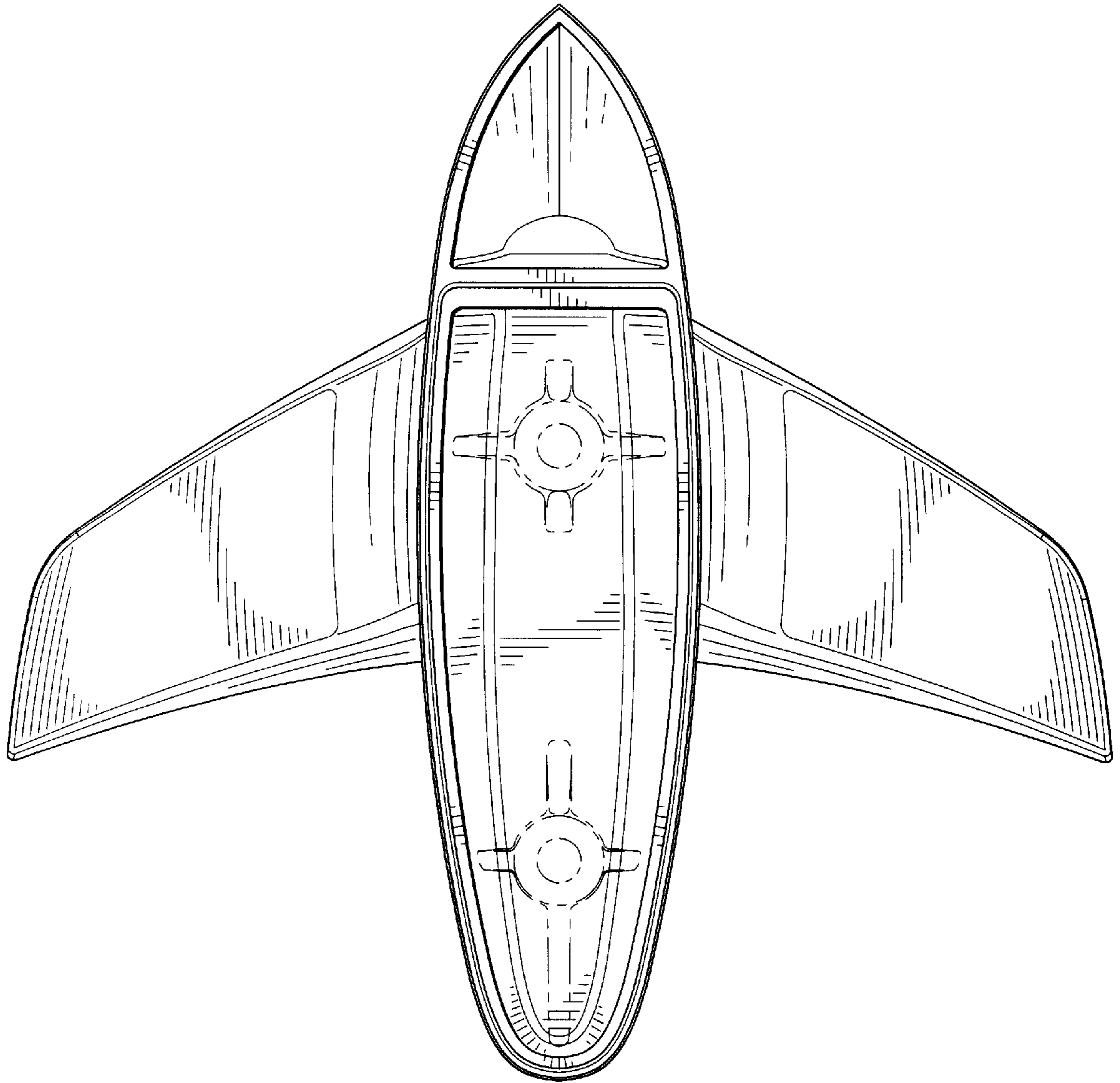


FIG. 6