



US00D422956S

# United States Patent [19]

Leschke et al.

[11] **Patent Number: Des. 422,956**

[45] **Date of Patent: \*\* Apr. 18, 2000**

[54] **INTERIOR PORTION OF A FRONT VEHICLE DOOR**

[75] Inventors: **Harald Leschke**, Sindelfingen; **Christopher K. Rhoades**, Herrenberg-Haslach; **Guenter Hoelzel**, Hochdorf; **Karl-Heinz Fischer**, Esslingen, all of Germany

[73] Assignee: **DaimlerChrysler AG**, Germany

[\*\*] Term: **14 Years**

[21] Appl. No.: **29/100,720**

[22] Filed: **Feb. 17, 1999**

[30] **Foreign Application Priority Data**

Aug. 17, 1998 [DE] Germany ..... 4 98 08 160

[51] **LOC (6) Cl.** ..... **12-16**

[52] **U.S. Cl.** ..... **D12/196**

[58] **Field of Search** ..... D12/196, 190, D12/195, 179, 90-92; 296/185, 37.1, 37.13, 149, 153, 146.1; 49/501, 502

[56] **References Cited**

**U.S. PATENT DOCUMENTS**

D. 320,589 10/1991 Kelley et al. .... D12/179

D. 331,559 12/1992 Kelley et al. .... D12/179  
D. 356,759 3/1995 Lagaay et al. .... D12/92  
D. 365,576 12/1995 Butkovich et al. .... D15/29  
D. 366,439 1/1996 Allen, Jr. et al. .... D12/179  
D. 409,965 5/1999 Mueller et al. .... D12/195  
D. 411,157 6/1999 Sacco et al. .... D12/195  
D. 411,497 6/1999 Layauy ..... D12/179

*Primary Examiner*—Melody N. Brown  
*Attorney, Agent, or Firm*—Evenson, McKeown, Edwards & Lenahan, P.L.L.C.

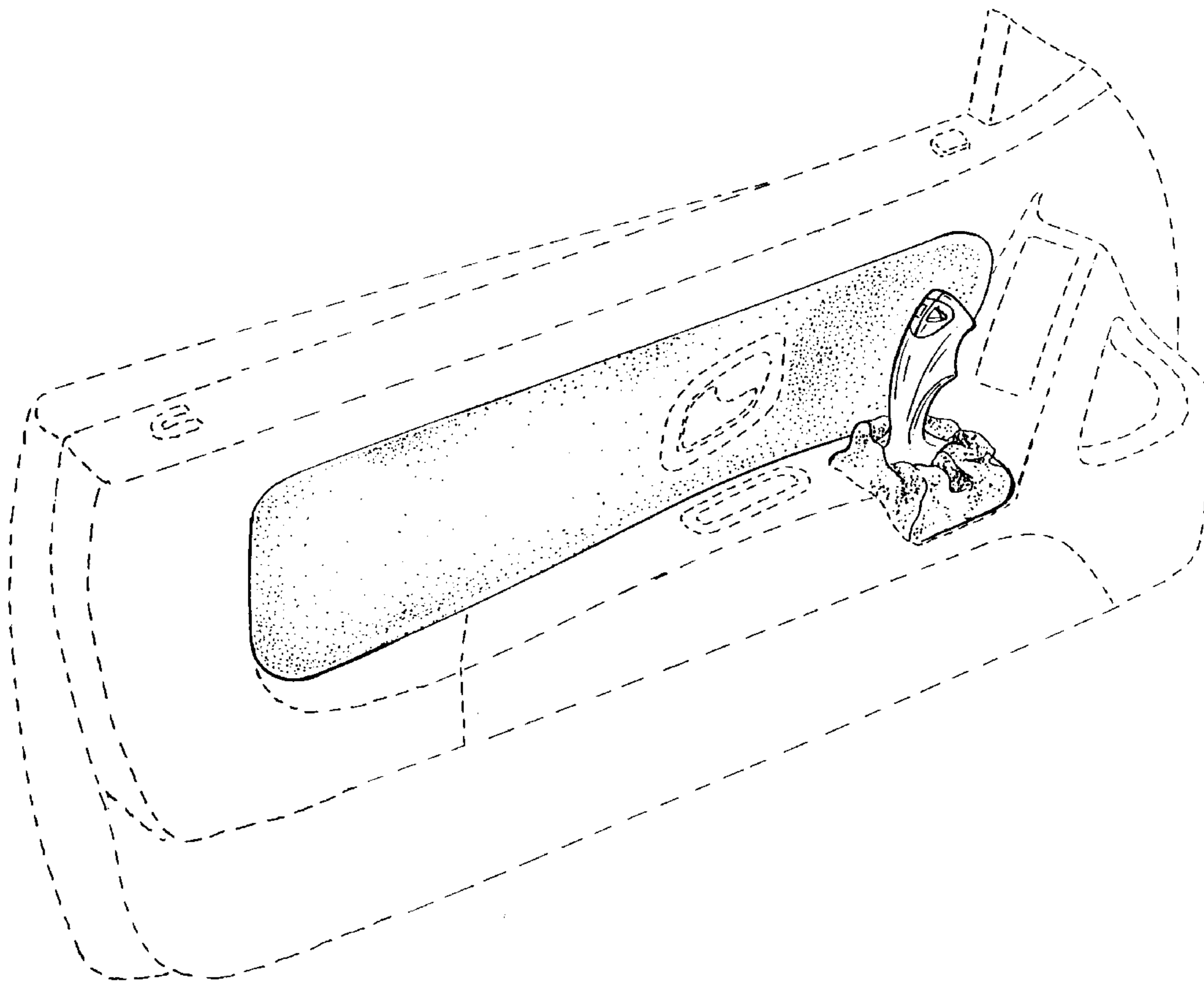
[57] **CLAIM**

The ornamental design for an interior portion of a front vehicle door, as shown and described.

**DESCRIPTION**

FIG. 1 is a front view of an interior portion of a front vehicle door according to our novel design;  
FIG. 2 is a left side view of an interior portion of a front vehicle door according to our novel design;  
FIG. 3 is a top view of an interior portion of a front vehicle door according to our novel design; and,  
FIG. 4 is a perspective view from the front side of an interior portion of a front vehicle door according to our novel design. The broken line included depicts environment and is not part of the claimed design.

**1 Claim, 4 Drawing Sheets**



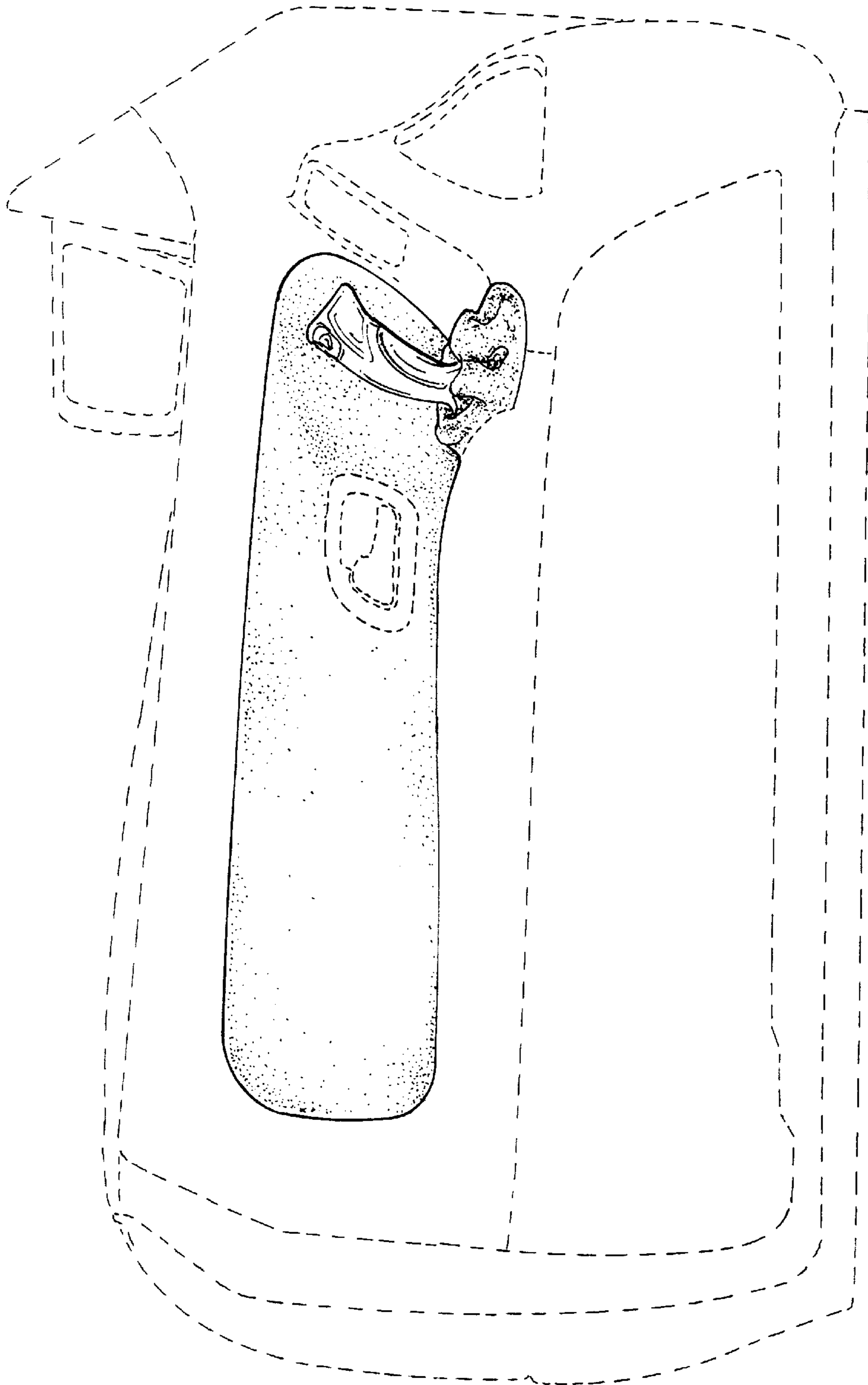


FIG.1

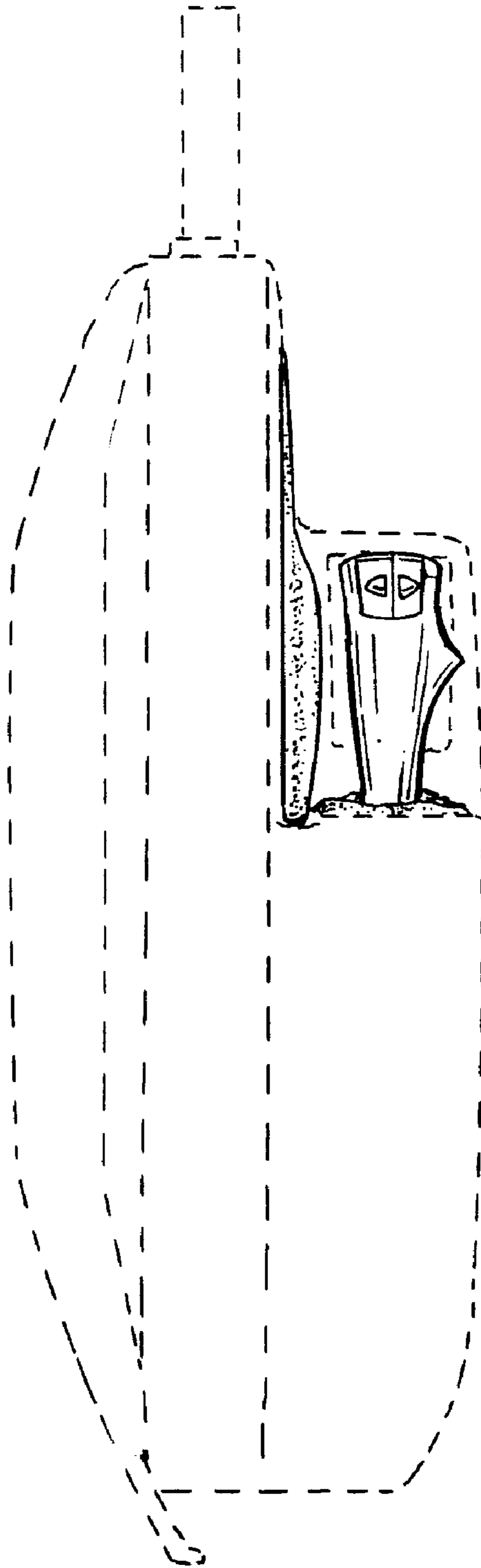


FIG. 2

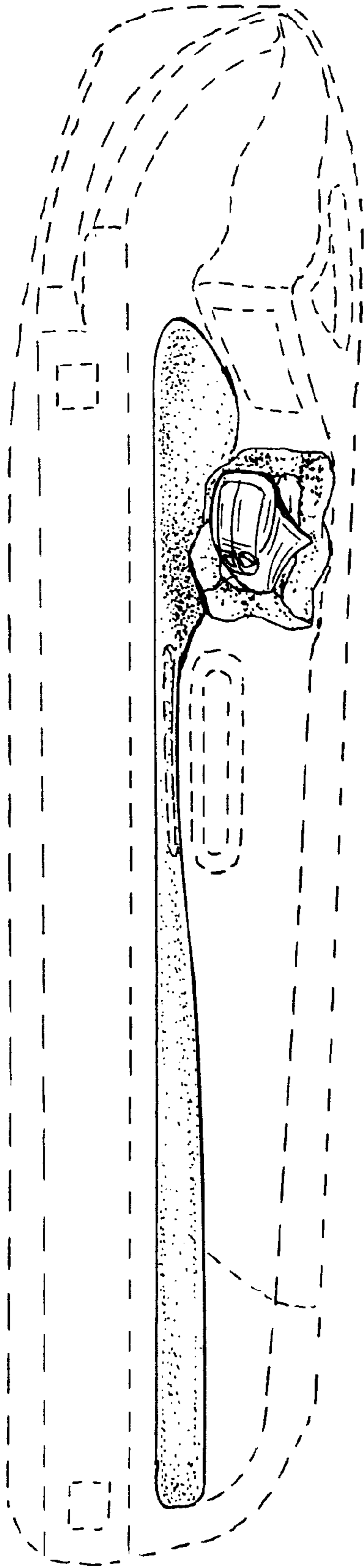


FIG. 3

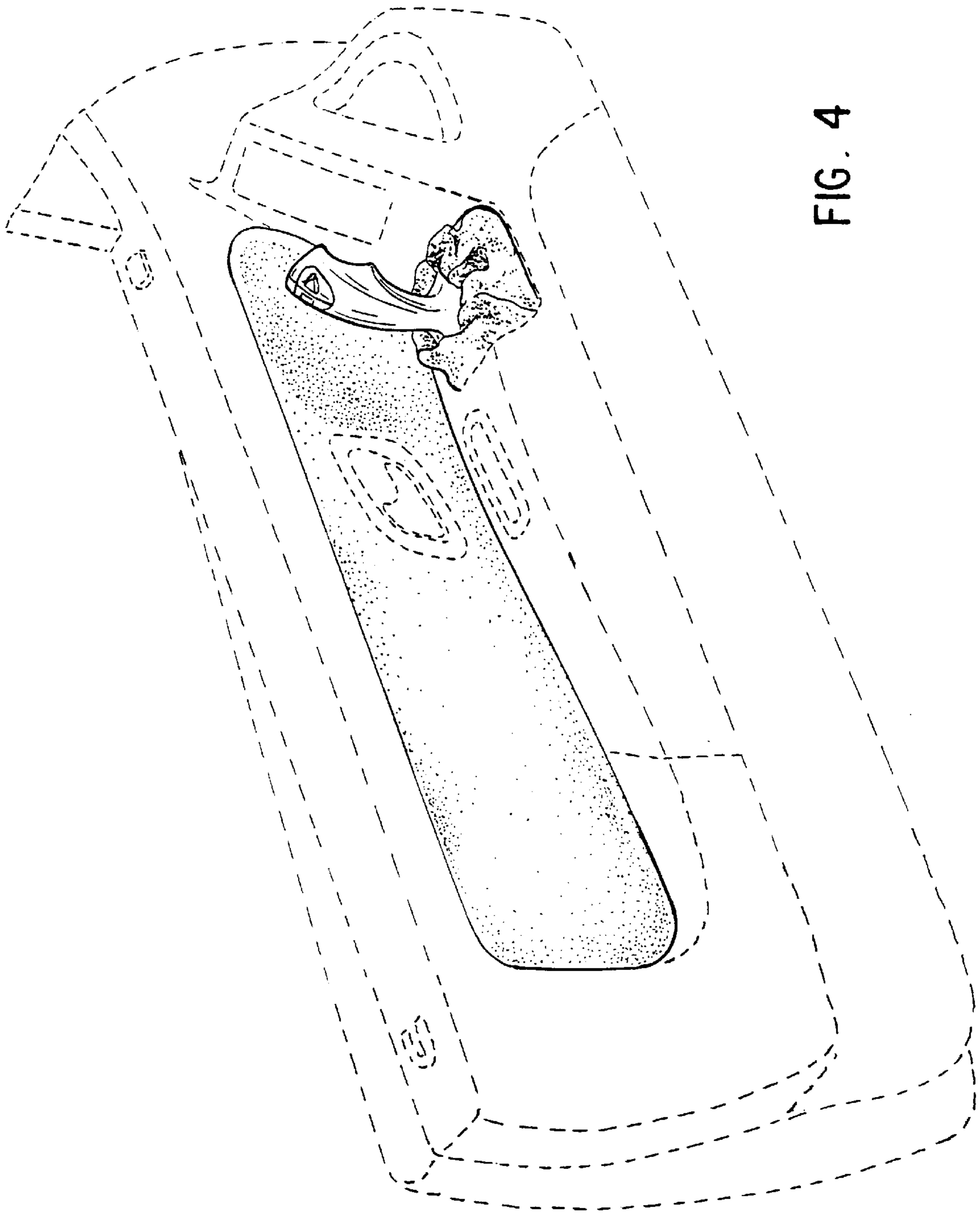


FIG. 4