



US00D422953S

United States Patent [19]
Waagenaar

[11] **Patent Number: Des. 422,953**

[45] **Date of Patent: ** Apr. 18, 2000**

[54] **MOTOR VEHICLE GRILL GUARD**

D. 410,879 6/1999 Orth, Sr. D12/171
5,277,465 1/1994 Weir 293/142

[76] Inventor: **Gary D. Waagenaar**, 19806 Stagg St.,
Canoga Park, Calif. 91306

Primary Examiner—Melody N. Brown
Attorney, Agent, or Firm—Gerald L. Price

[**] Term: **14 Years**

[57] **CLAIM**

[21] Appl. No.: **29/103,848**

The ornamental design for a motor vehicle grill guard, as shown and described.

[22] Filed: **Apr. 14, 1999**

DESCRIPTION

[51] **LOC (6) Cl.** **12-16**

[52] **U.S. Cl.** **D12/171**

[58] **Field of Search** D12/171; 293/102,
293/103, 115, 120, 121, 144

FIG. 1 is a front perspective view of a motor vehicle grill guard showing my new design mounted on an exemplary motor vehicle depicted in broken lines that is not part of the claimed design;

FIG. 2 is a front elevational view thereof;

FIG. 3 is a right side elevational view thereof, with the left side being a mirror image thereto;

FIG. 4 is a rear elevational view thereof;

FIG. 5 is a top plan view thereof; and,

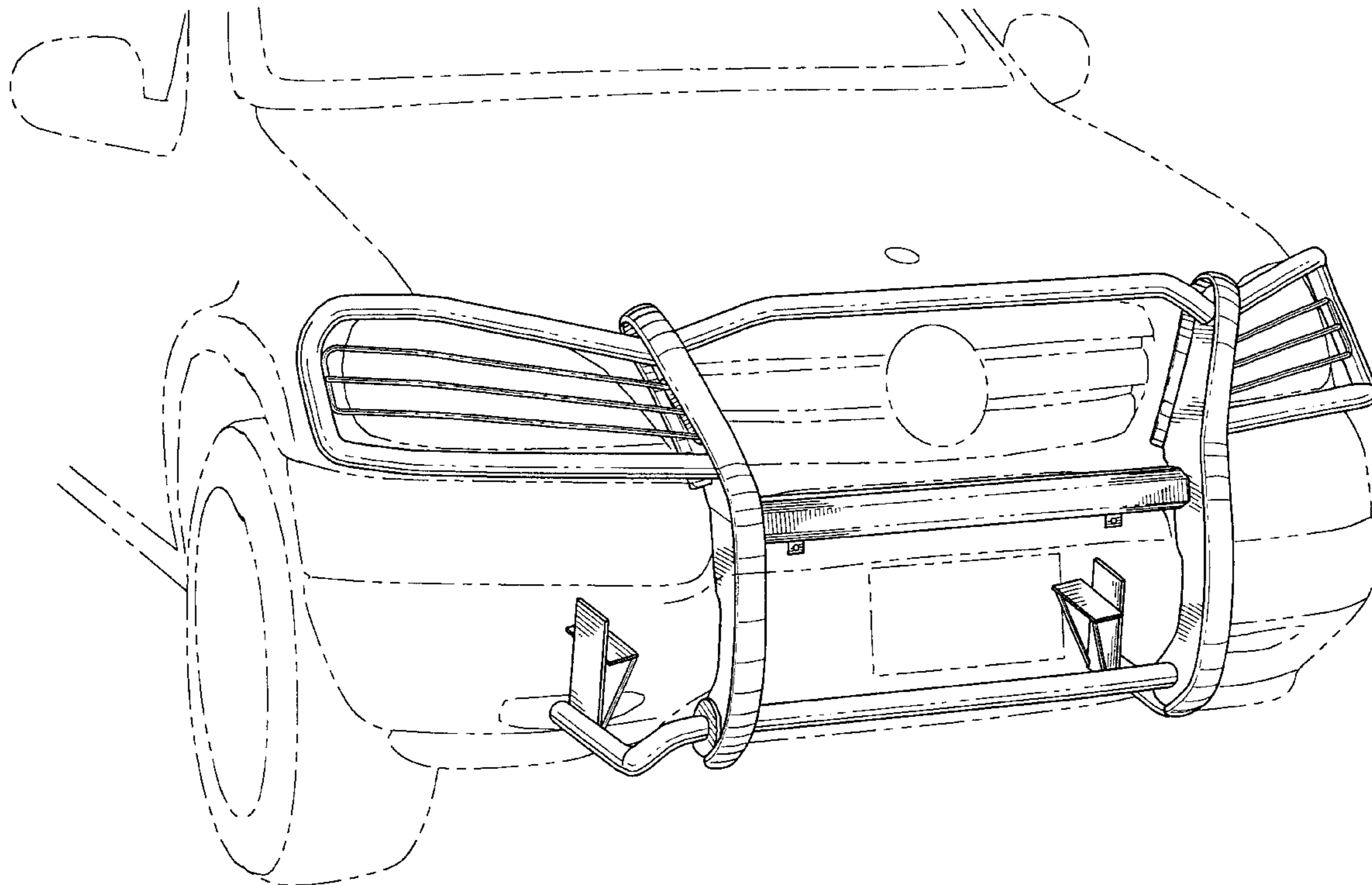
FIG. 6 is a bottom plan view thereof.

[56] **References Cited**

U.S. PATENT DOCUMENTS

D. 361,316	8/1995	Orth, Sr. et al.	D12/171
D. 383,719	9/1997	Thorne et al.	D12/171
D. 384,625	10/1997	Thorne et al.	D12/171
D. 388,042	12/1997	Thorne et al.	D12/171
D. 395,678	8/1998	Shklyover	D12/171

1 Claim, 6 Drawing Sheets



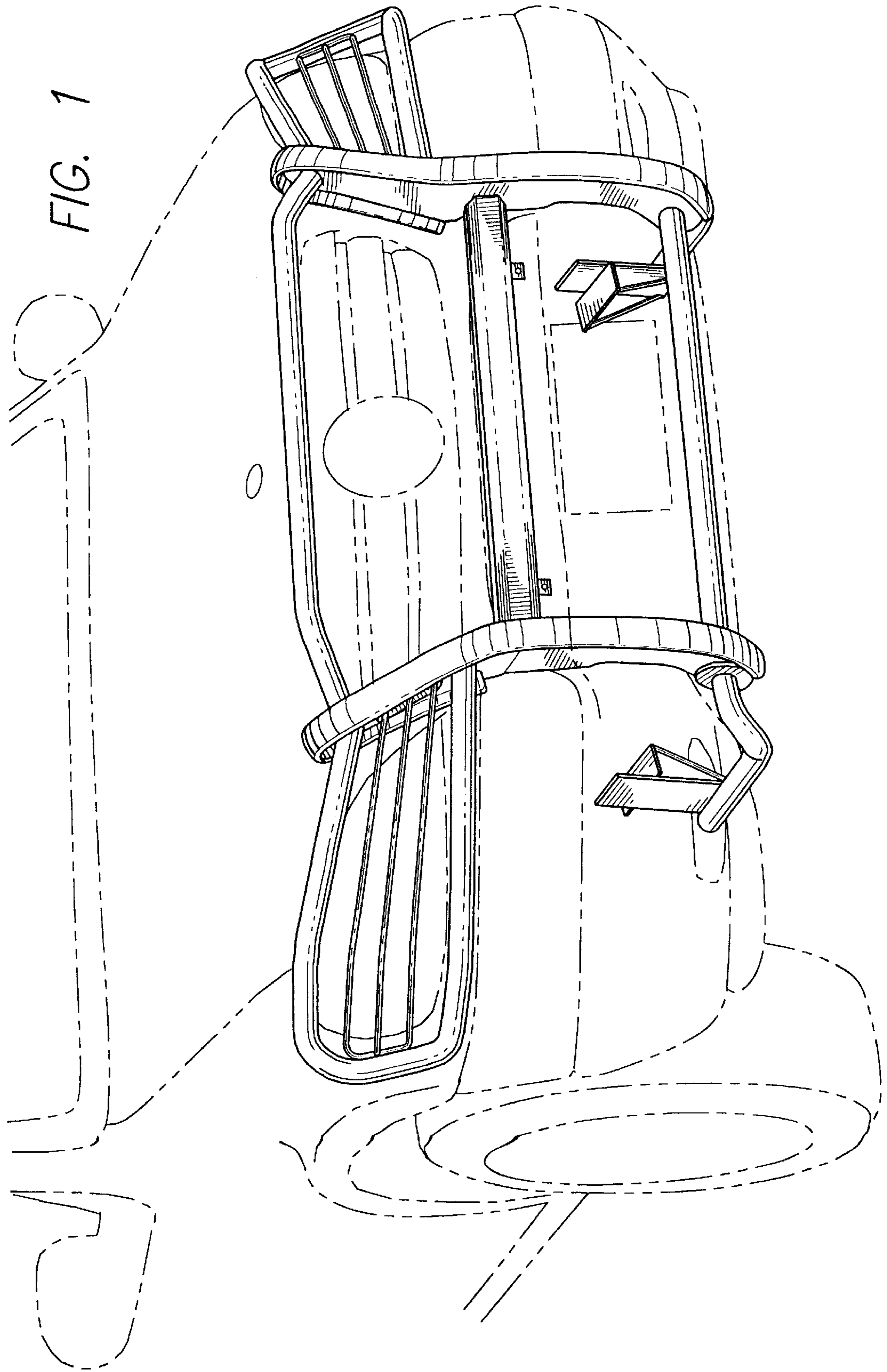
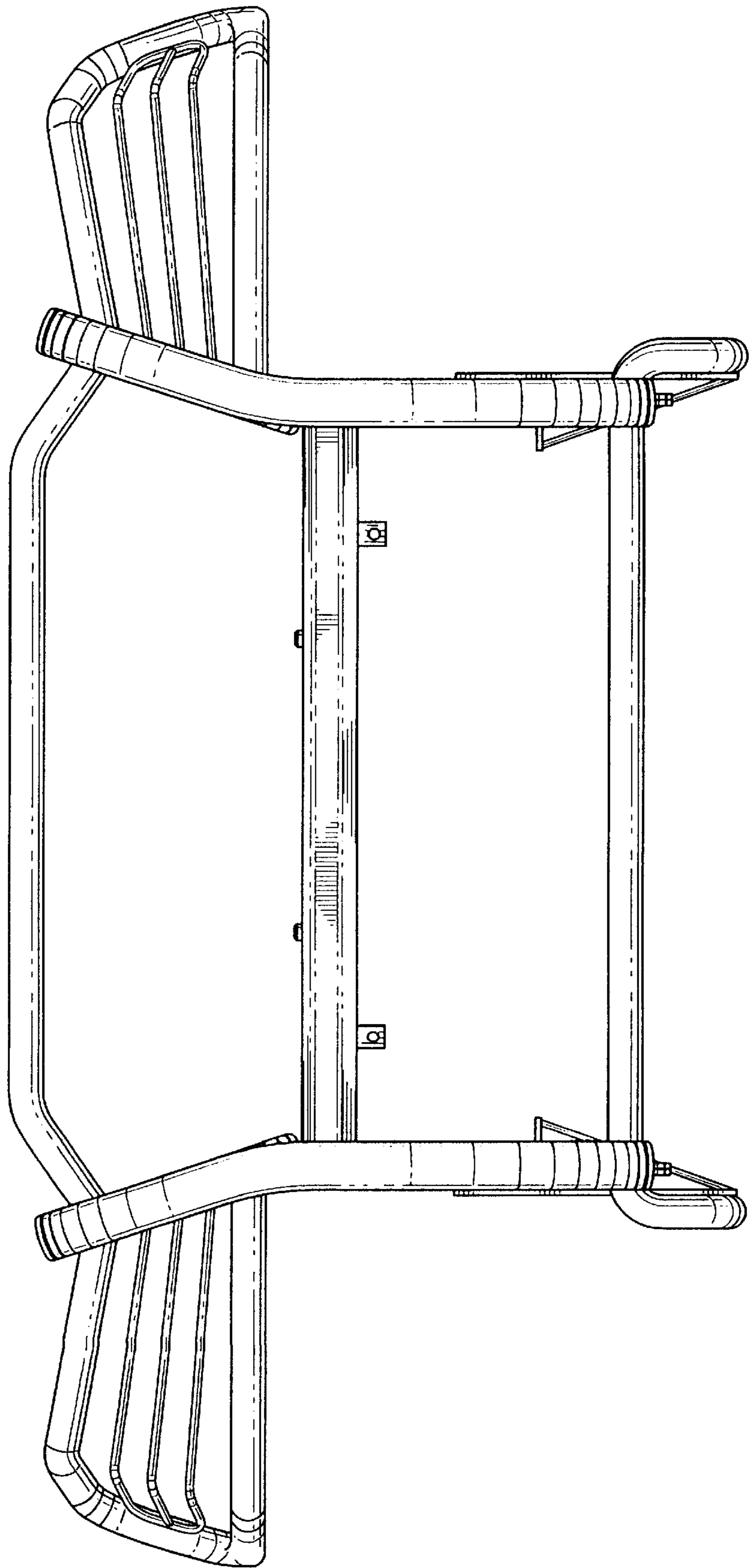


FIG. 2



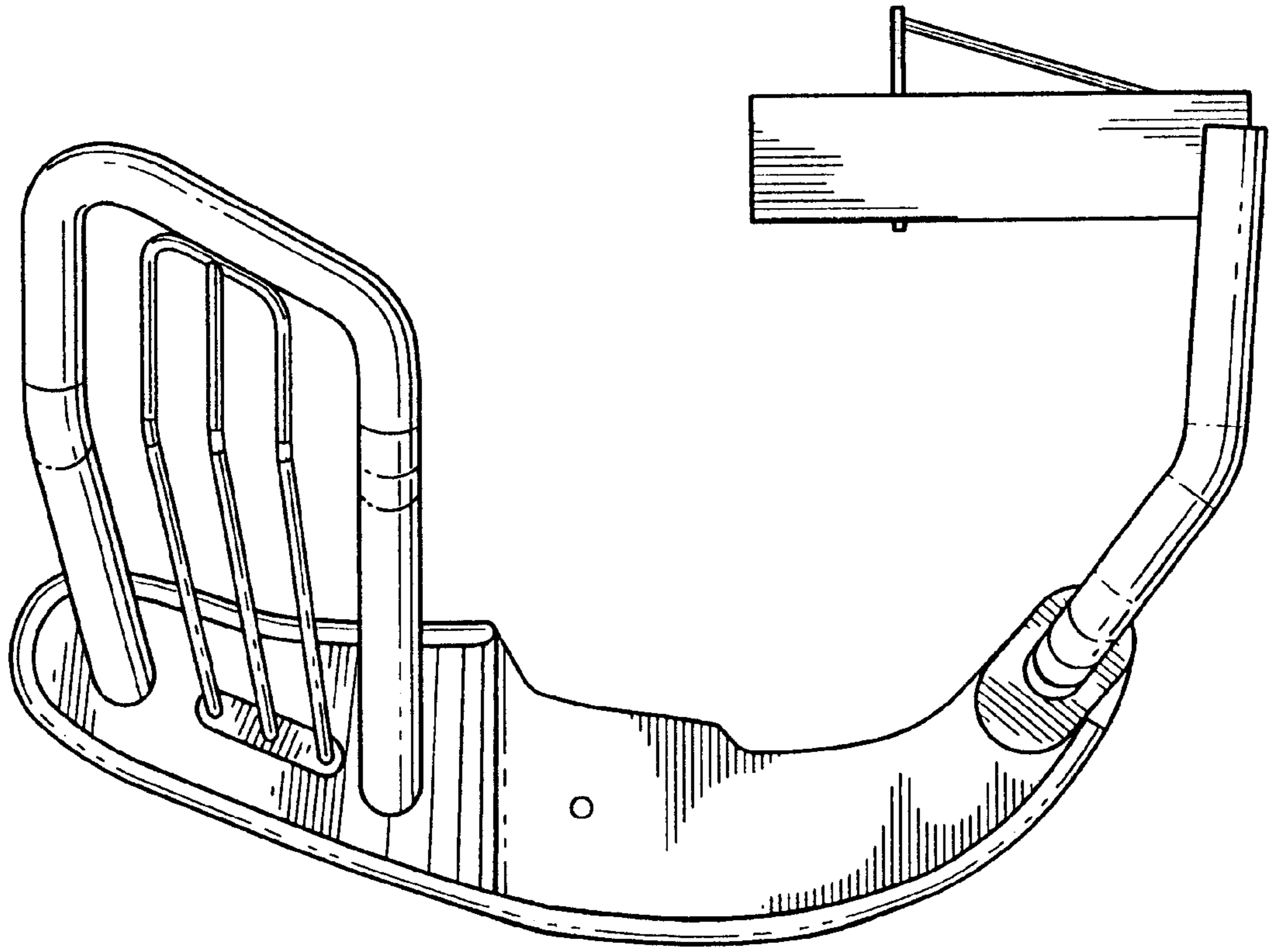


FIG. 3

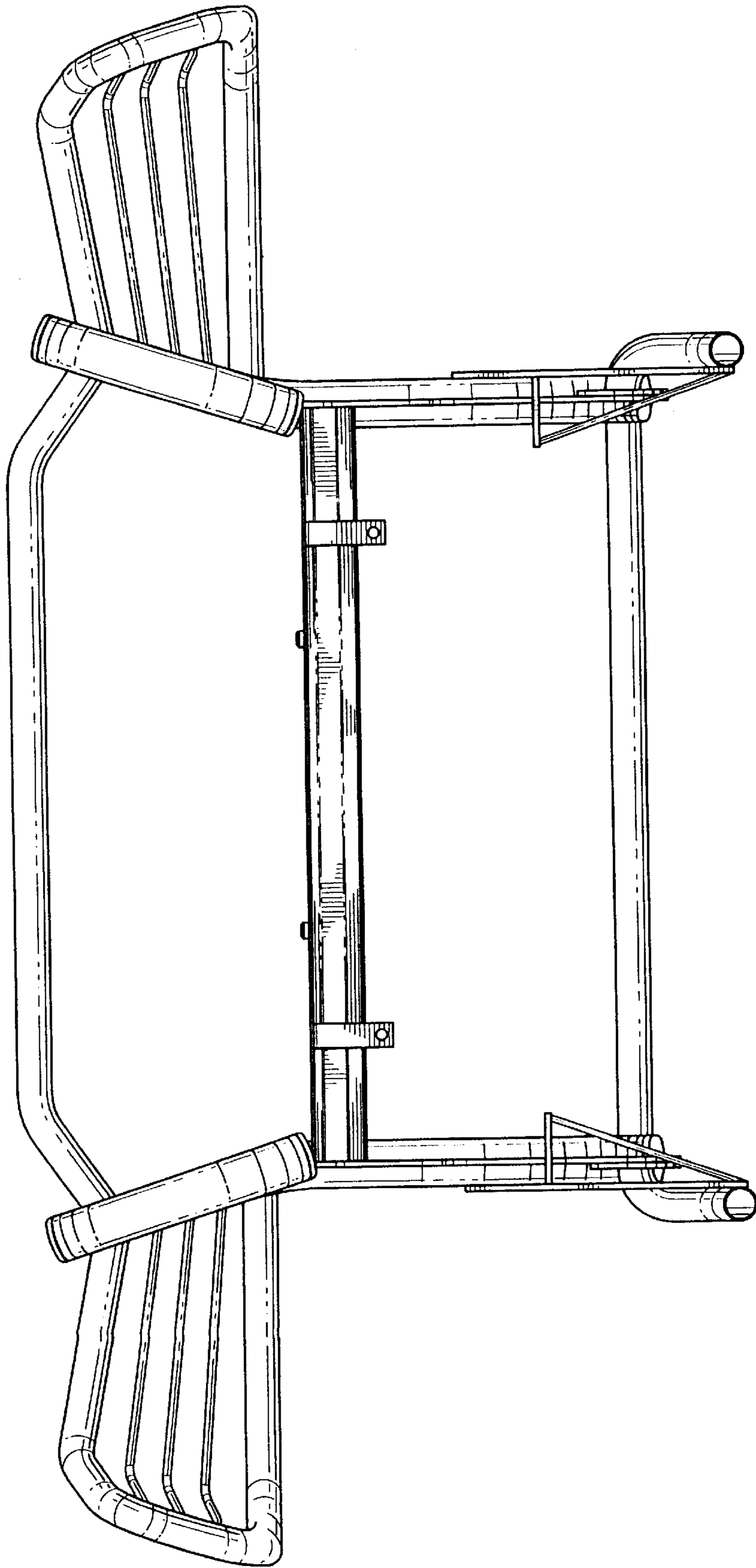


FIG. 4

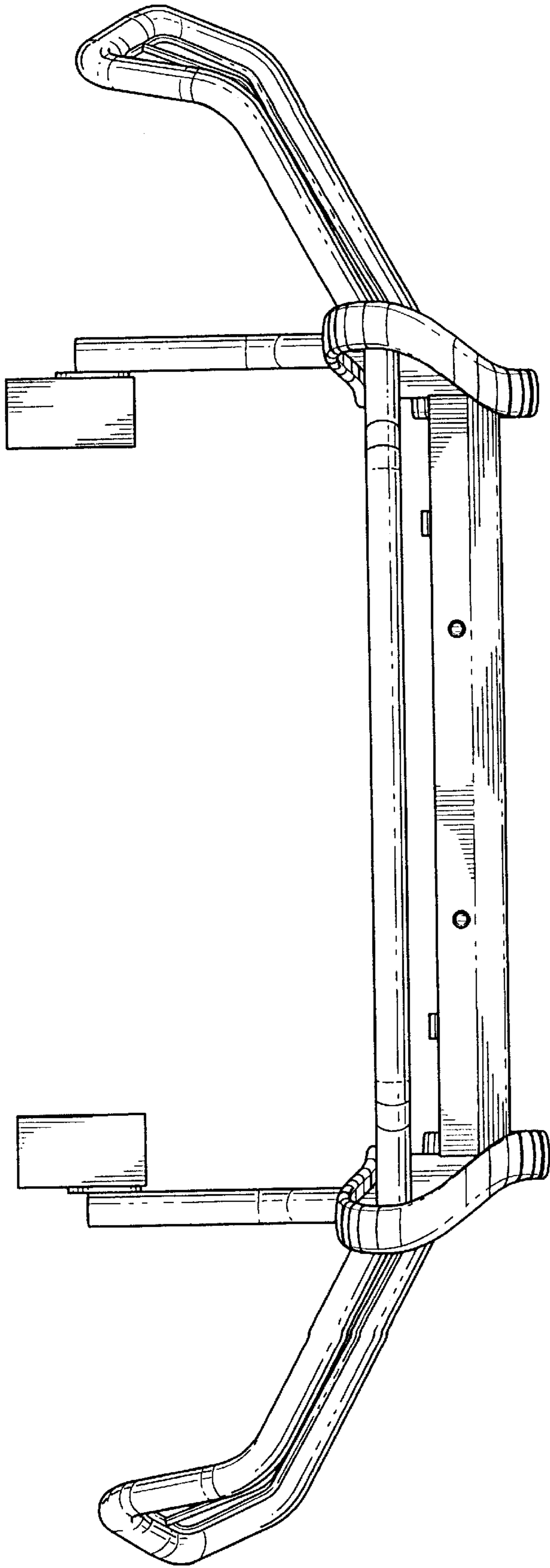


FIG. 5

FIG. 6

