



US00D422949S

# United States Patent [19] Witman

[11] Patent Number: **Des. 422,949**

[45] Date of Patent: **\*\* Apr. 18, 2000**

[54] **STROLLER SEAT RECLINER**

[75] Inventor: **Thomas J. Witman**, Piqua, Ohio

[73] Assignee: **Evenflo Company, Inc.**, Vandalia, Ohio

[\*\*] Term: **14 Years**

[21] Appl. No.: **29/095,502**

[22] Filed: **Oct. 23, 1998**

[51] **LOC (6) Cl.** ..... **12-12**

[52] **U.S. Cl.** ..... **D12/133; D12/129**

[58] **Field of Search** ..... **D12/128-133;**  
280/30, 642, 643, 644, 647, 648, 650, 657,  
658, 47.41, 47.48

5,240,265 8/1993 Huang ..... 280/47.4

5,246,152 9/1993 Dotseth ..... 224/159

5,522,528 6/1996 Petricola ..... 224/160

5,609,279 3/1997 O'Shea ..... 224/160

5,632,425 5/1997 Hull ..... 224/160

5,669,625 9/1997 Cabagnero ..... 280/647

5,678,739 10/1997 Darling et al. .... 224/160

5,687,985 11/1997 Sack ..... 280/650

5,690,258 11/1997 Kataoka ..... 224/160

5,692,655 12/1997 Fair et al. .... 224/160

*Primary Examiner*—Kay H. Chin  
*Attorney, Agent, or Firm*—Thompson Hine & Flory LLP

### [57] CLAIM

The ornamental design for a stroller seat recliner, as shown and described.

### DESCRIPTION

FIG. 1 is a front elevational view of the stroller seat recliner showing my new design;

FIG. 2 is a back elevational view thereof;

FIG. 3 is a left side elevational view thereof as attached to a stroller frame which is shown in broken lines. The broken line showing of the stroller frame portions is for illustrative purposes only and forms no part of the claimed design.

FIG. 4 is a right side elevational view thereof;

FIG. 5 is a top plan view thereof; and,

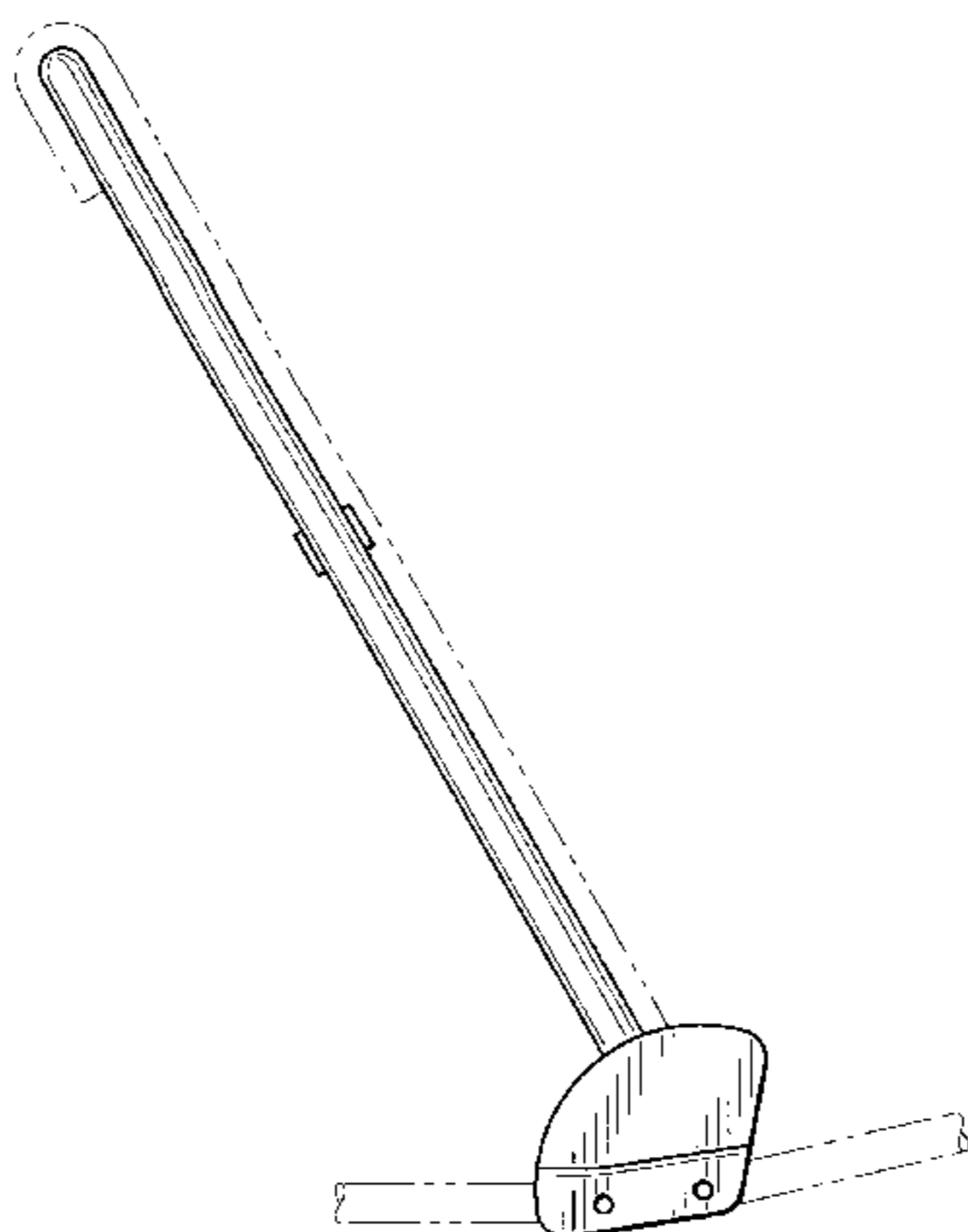
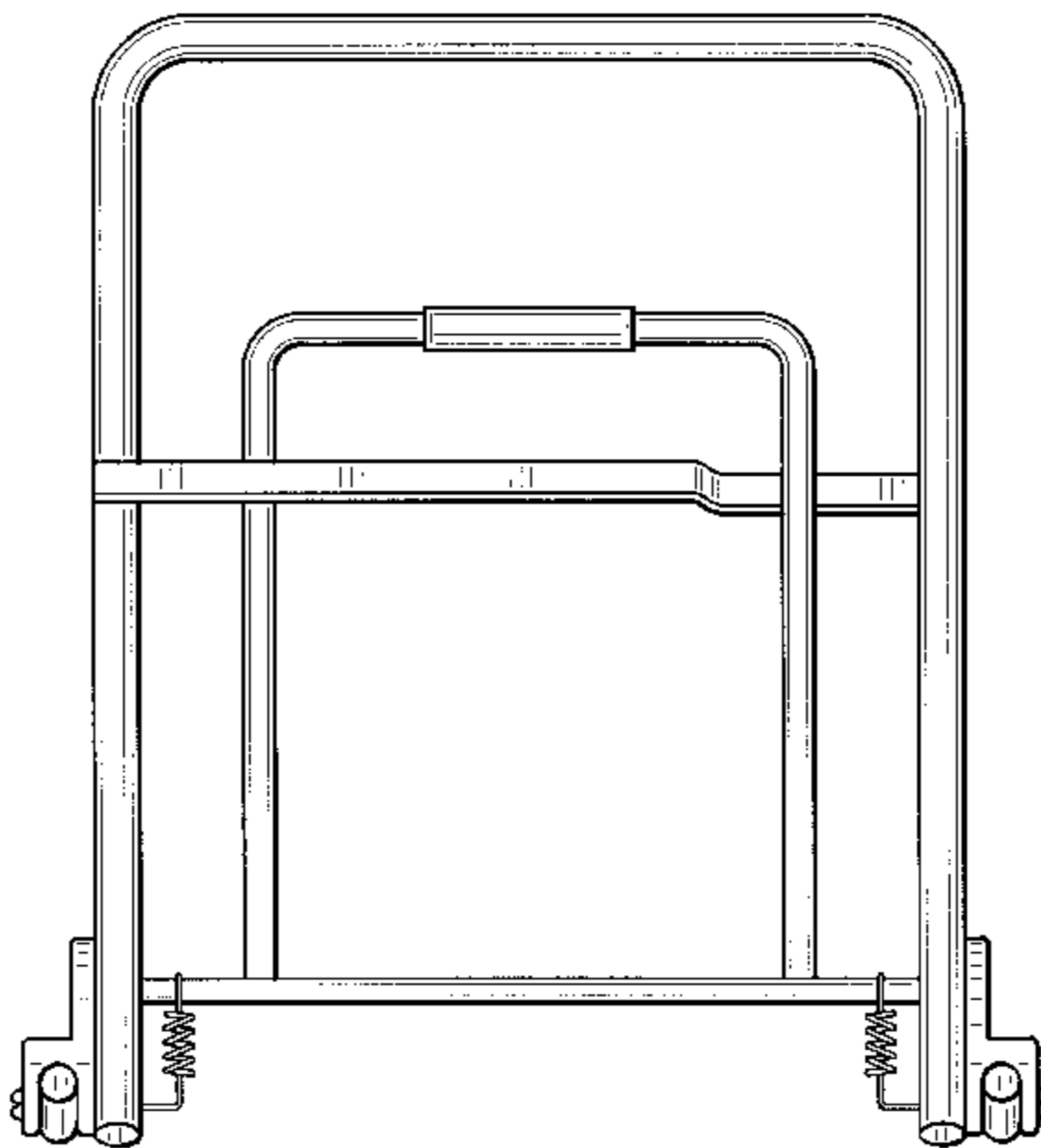
FIG. 6 is a bottom view thereof.

**1 Claim, 3 Drawing Sheets**

[56] **References Cited**

U.S. PATENT DOCUMENTS

D. 277,811	3/1985	Moore	.....	D3/31
D. 357,800	5/1995	Roan et al.	.....	D3/214
D. 365,925	1/1996	Roan	.....	D3/214
D. 385,105	10/1997	Fair	.....	D3/214
3,248,125	4/1966	Gill	.....	280/47.4
3,989,173	11/1976	Gebhard	.....	224/6
4,234,229	11/1980	Arnold	.....	297/467
4,492,326	1/1985	Storm	.....	224/160
4,736,959	4/1988	VanSteenburg	.....	280/30
4,858,947	8/1989	Yee et al.	.....	280/643
5,018,754	5/1991	Cheng	.	



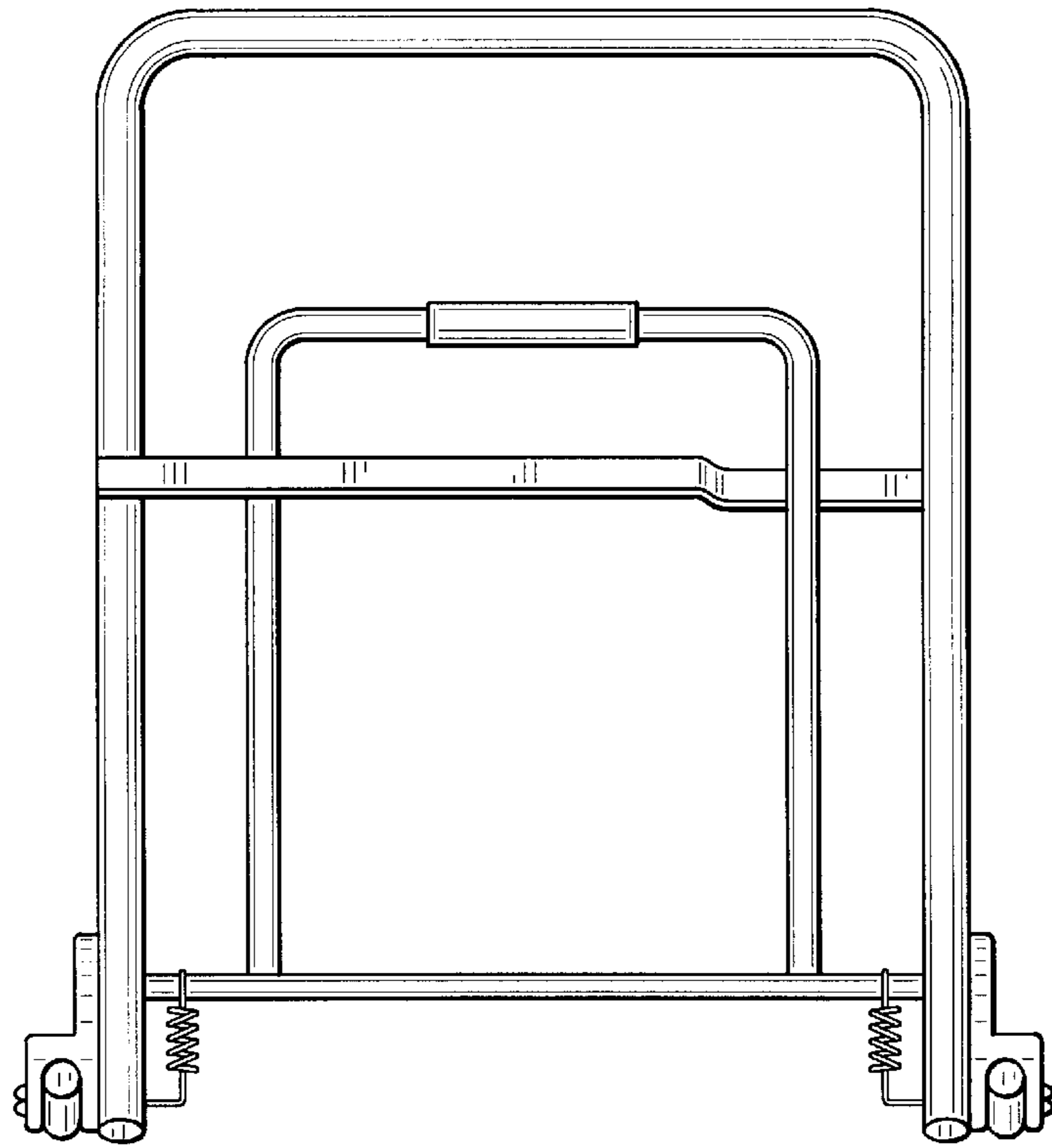


FIG. 1

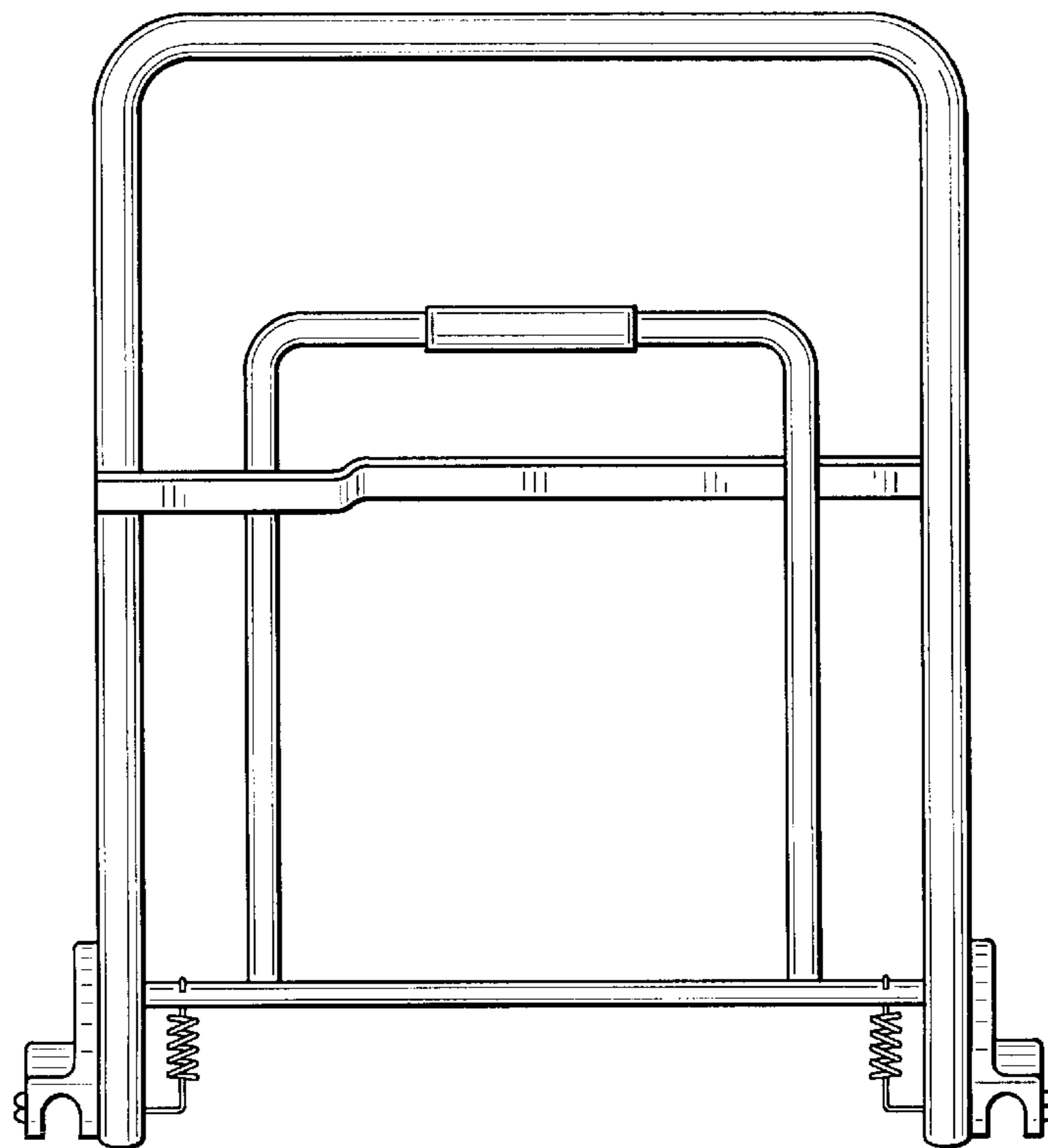


FIG. 2

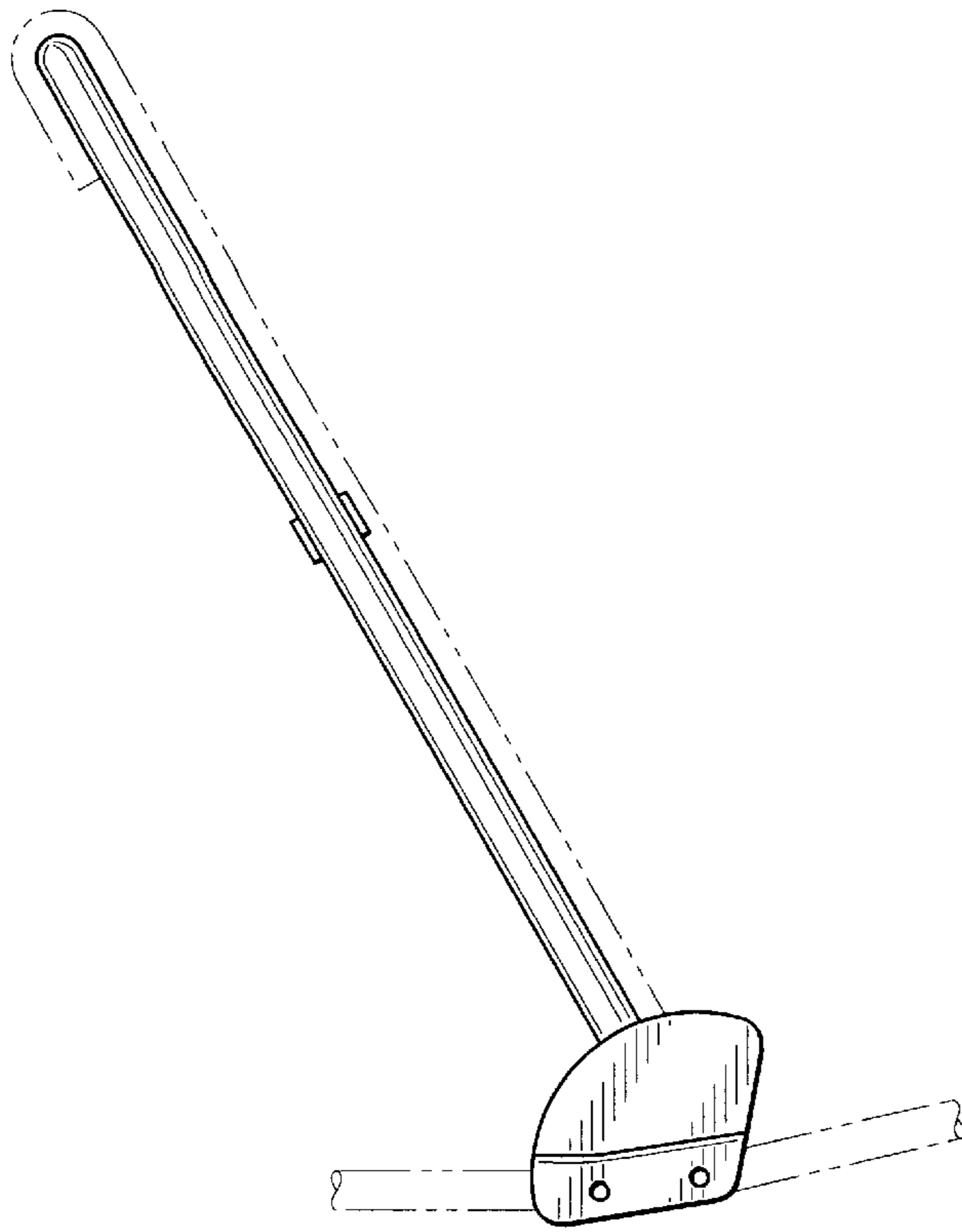


FIG. 3

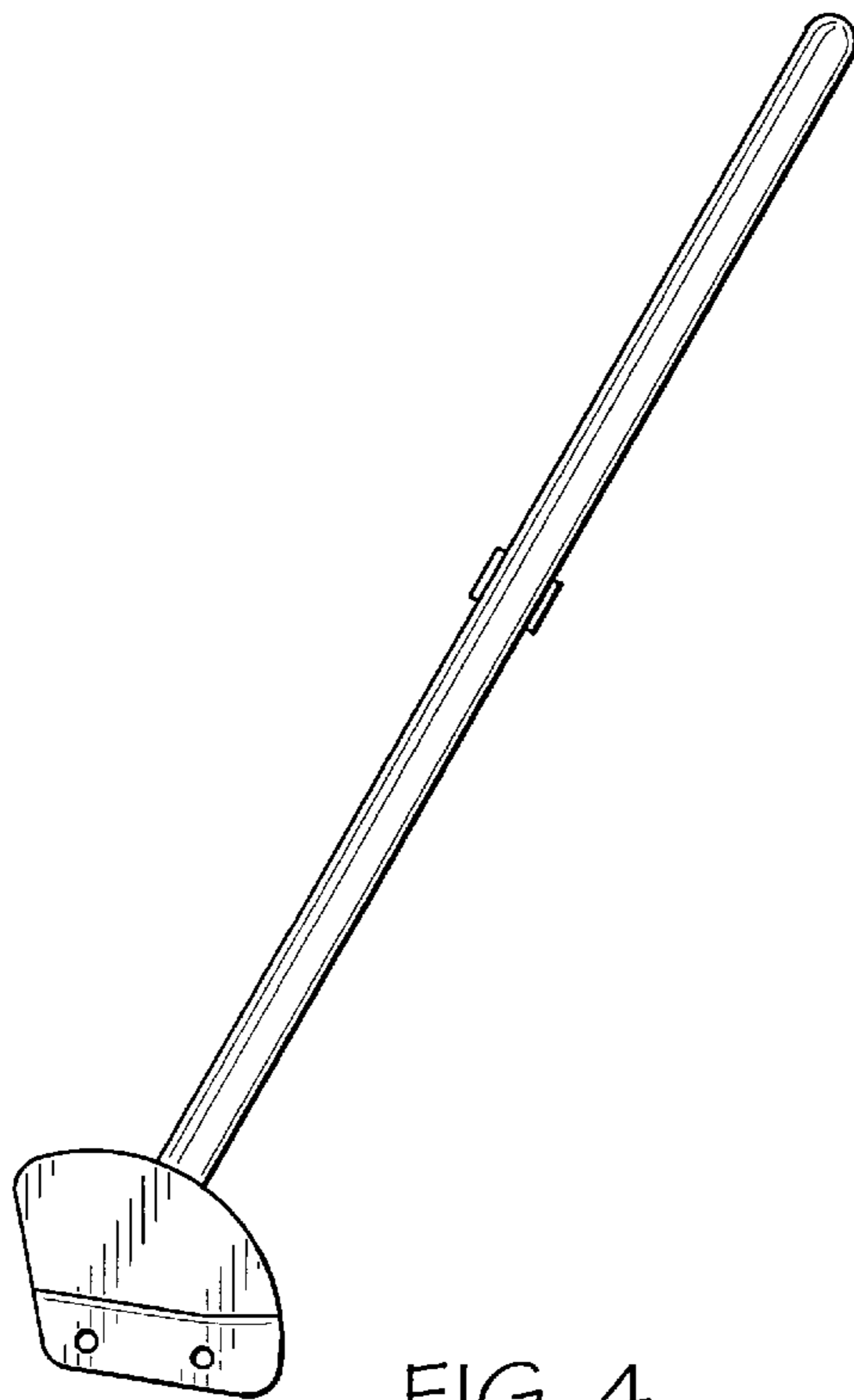


FIG. 4

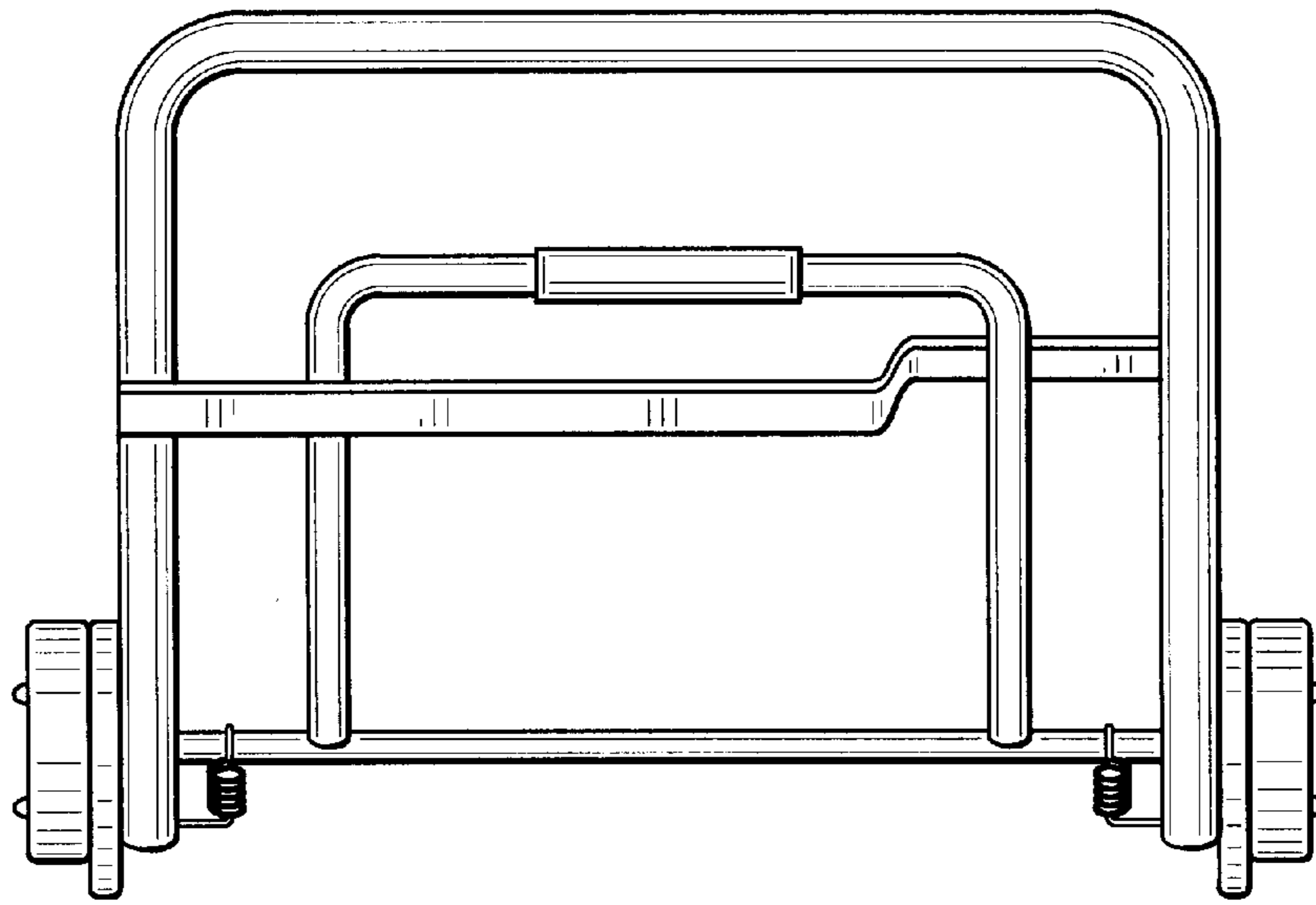


FIG. 5

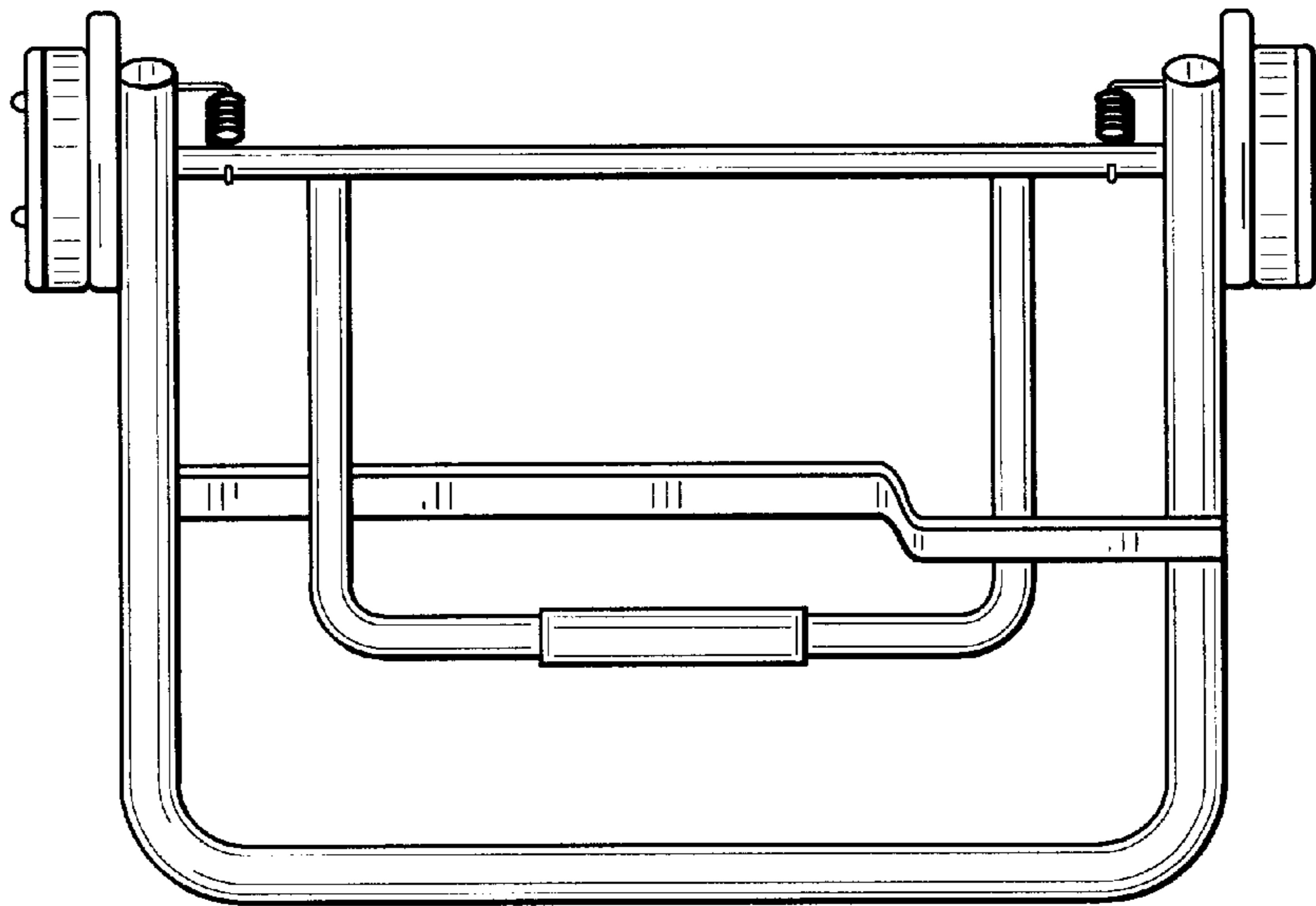


FIG. 6