



US00D422948S

United States Patent [19]
Huang

[11] **Patent Number: Des. 422,948**

[45] **Date of Patent: ** Apr. 18, 2000**

[54] **TOY STROLLER**

[76] Inventor: **Ming-Tai Huang**, 4th Fl., No. 302, Sec. 7, Chengteh Rd., Taipei, Taiwan

[**] Term: **14 Years**

[21] Appl. No.: **29/099,004**

[22] Filed: **Jan. 8, 1999**

[51] **LOC (6) Cl.** **12-12**

[52] **U.S. Cl.** **D12/129; D21/535**

[58] **Field of Search** D12/128, 129;
D21/533, 534, 535, 536; 280/42, 62, 642,
641, 650, 657, 658, 47.38, 30, 644, 647,
648

[56] **References Cited**

U.S. PATENT DOCUMENTS

- D. 357,890 5/1995 Eyman et al. D12/129
- D. 363,903 11/1995 Chiu D12/129

- D. 385,514 10/1997 Eyman et al. D12/129
- D. 409,530 5/1999 Chen et al. D12/129
- 5,669,624 9/1997 Eichhorn 280/642

Primary Examiner—Kay H. Chin
Attorney, Agent, or Firm—Jones, Tullar & Cooper PC

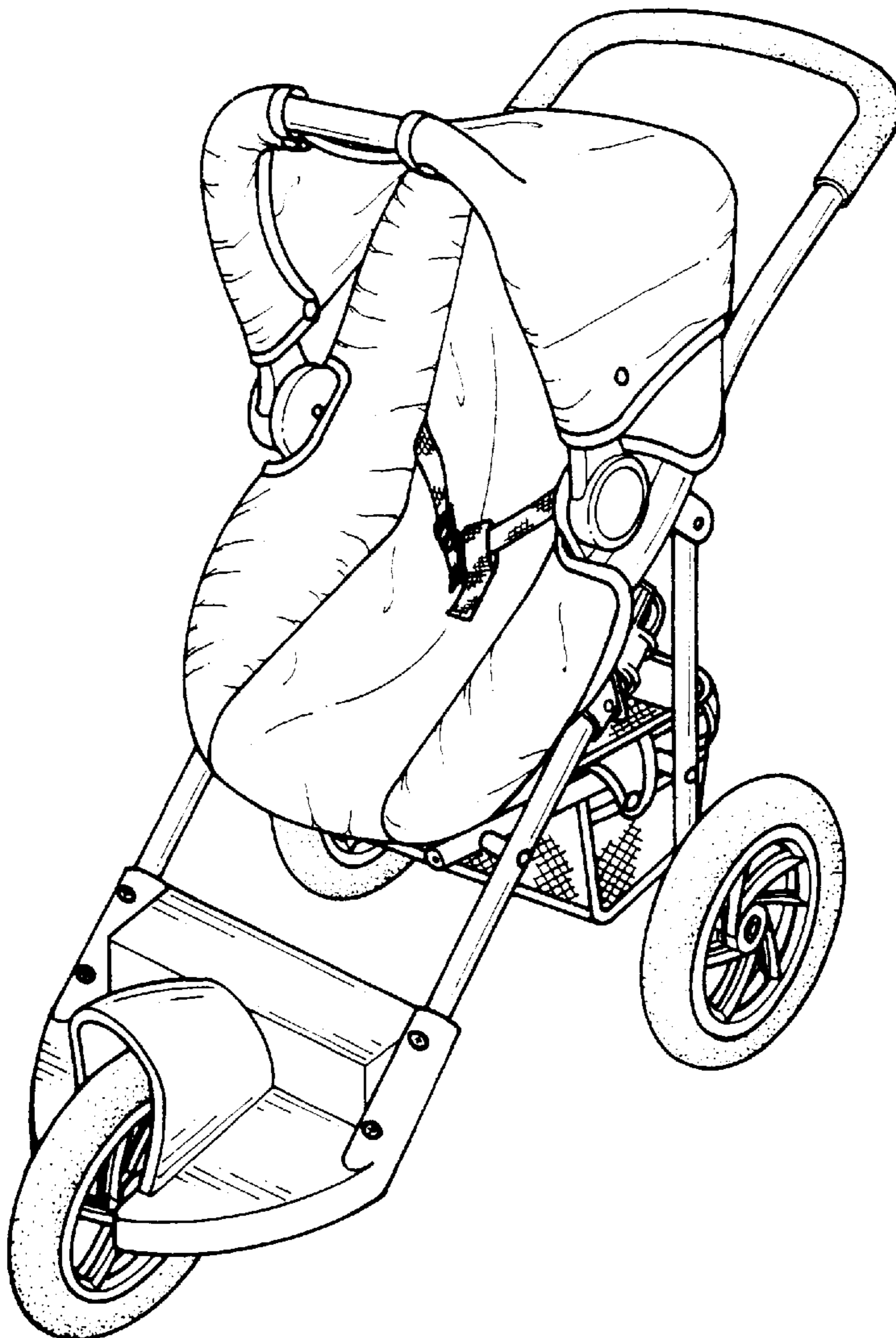
[57] **CLAIM**

The ornamental design for a toy stroller, as shown and described.

DESCRIPTION

FIG. 1 is a front-right-top perspective view of a toy stroller, showing my new design;
FIG. 2 is a front elevational view thereof;
FIG. 3 is a rear elevational view thereof;
FIG. 4 is a left side view thereof;
FIG. 5 is a right side view thereof;
FIG. 6 is a top plan view thereof; and,
FIG. 7 is a bottom plan view thereof.

1 Claim, 4 Drawing Sheets



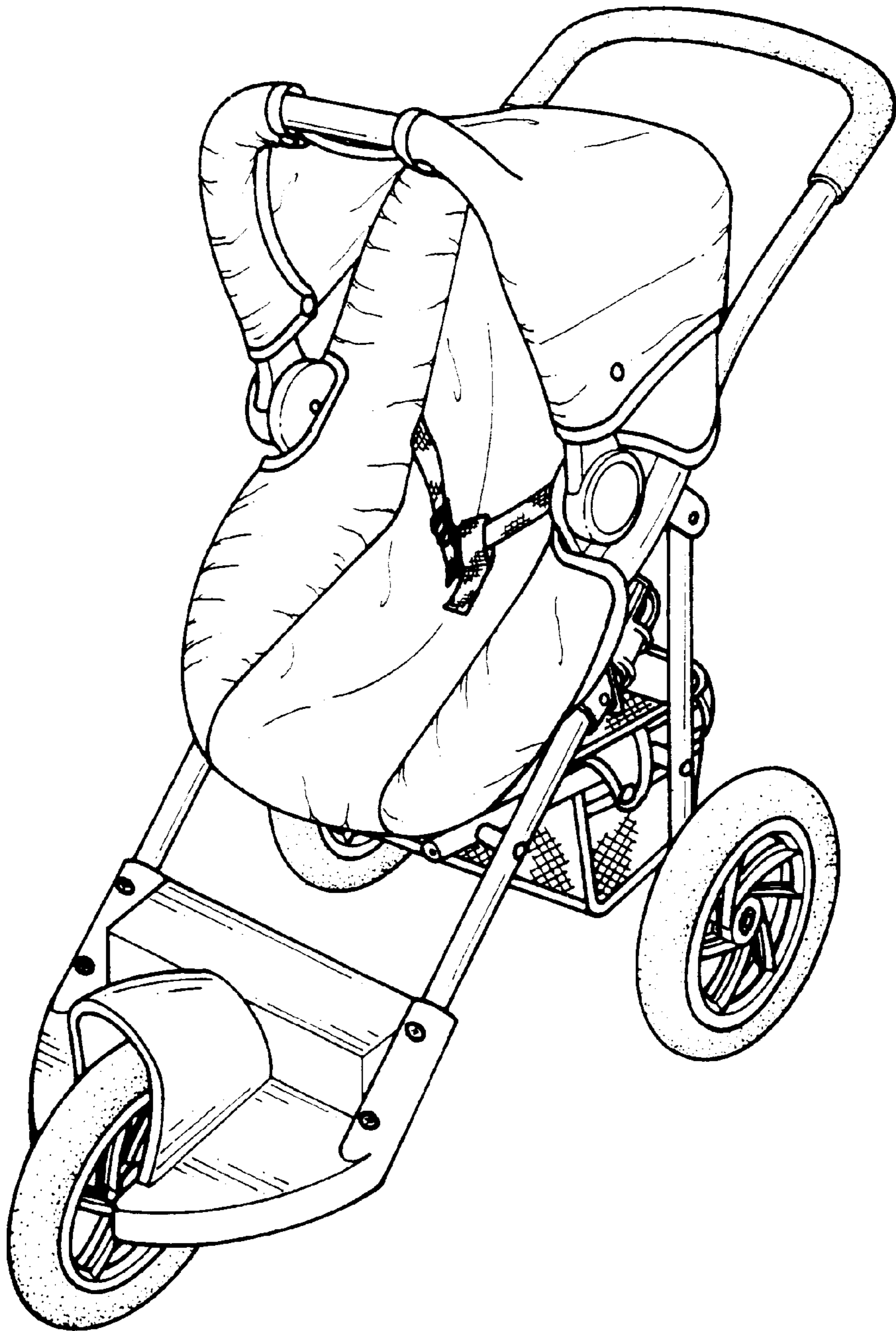


FIG. 1

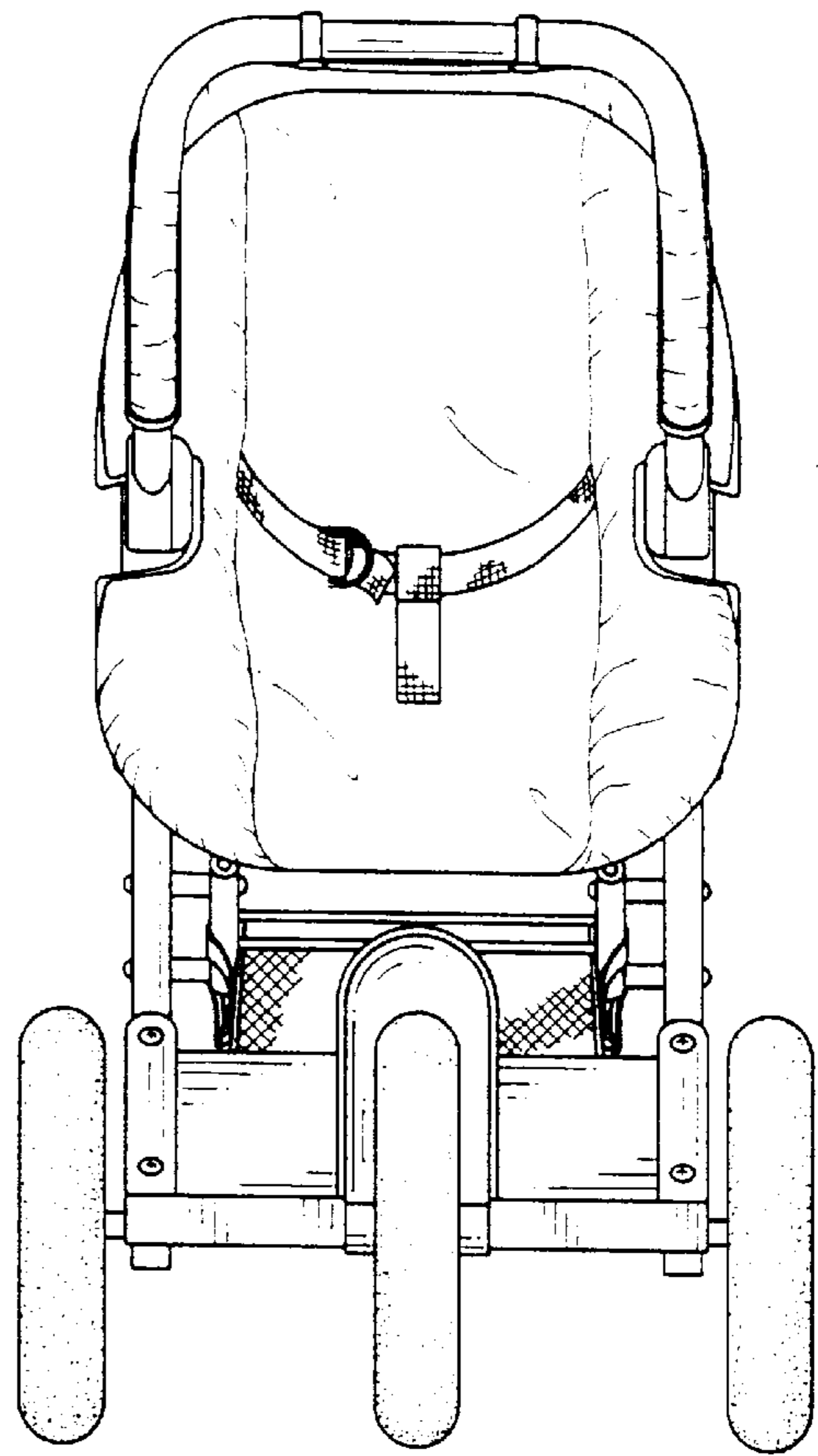


FIG. 2

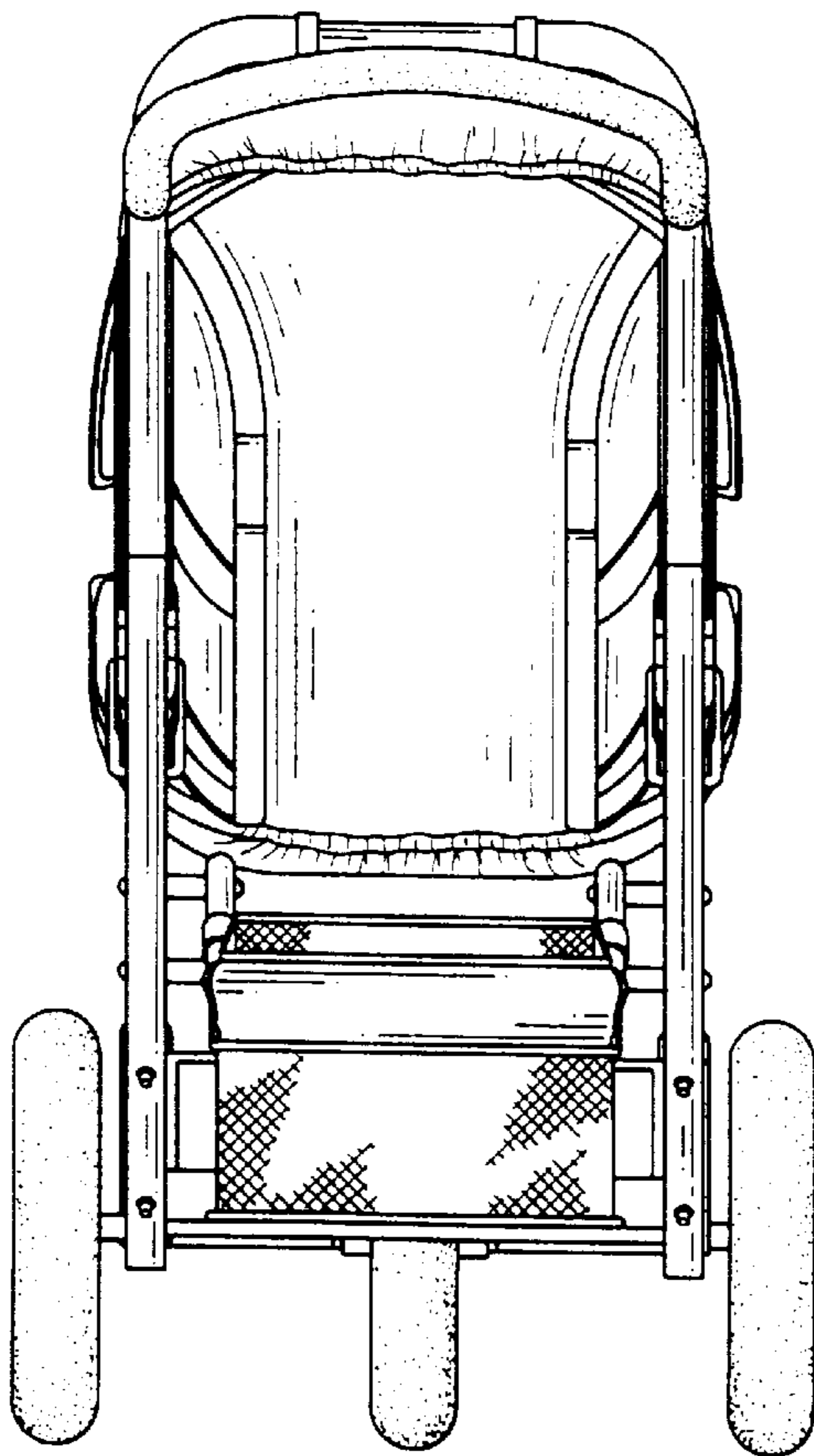


FIG. 3

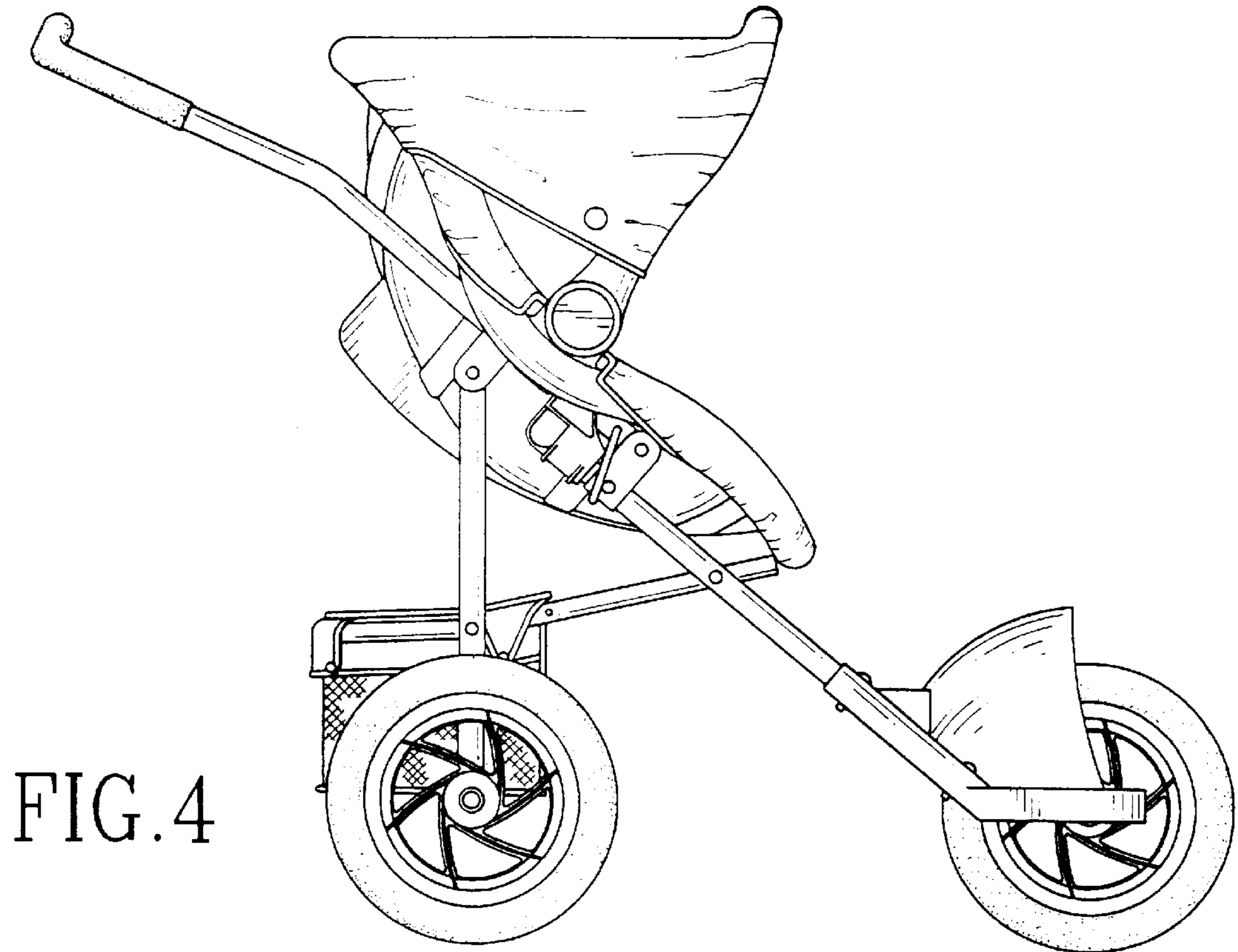


FIG. 4

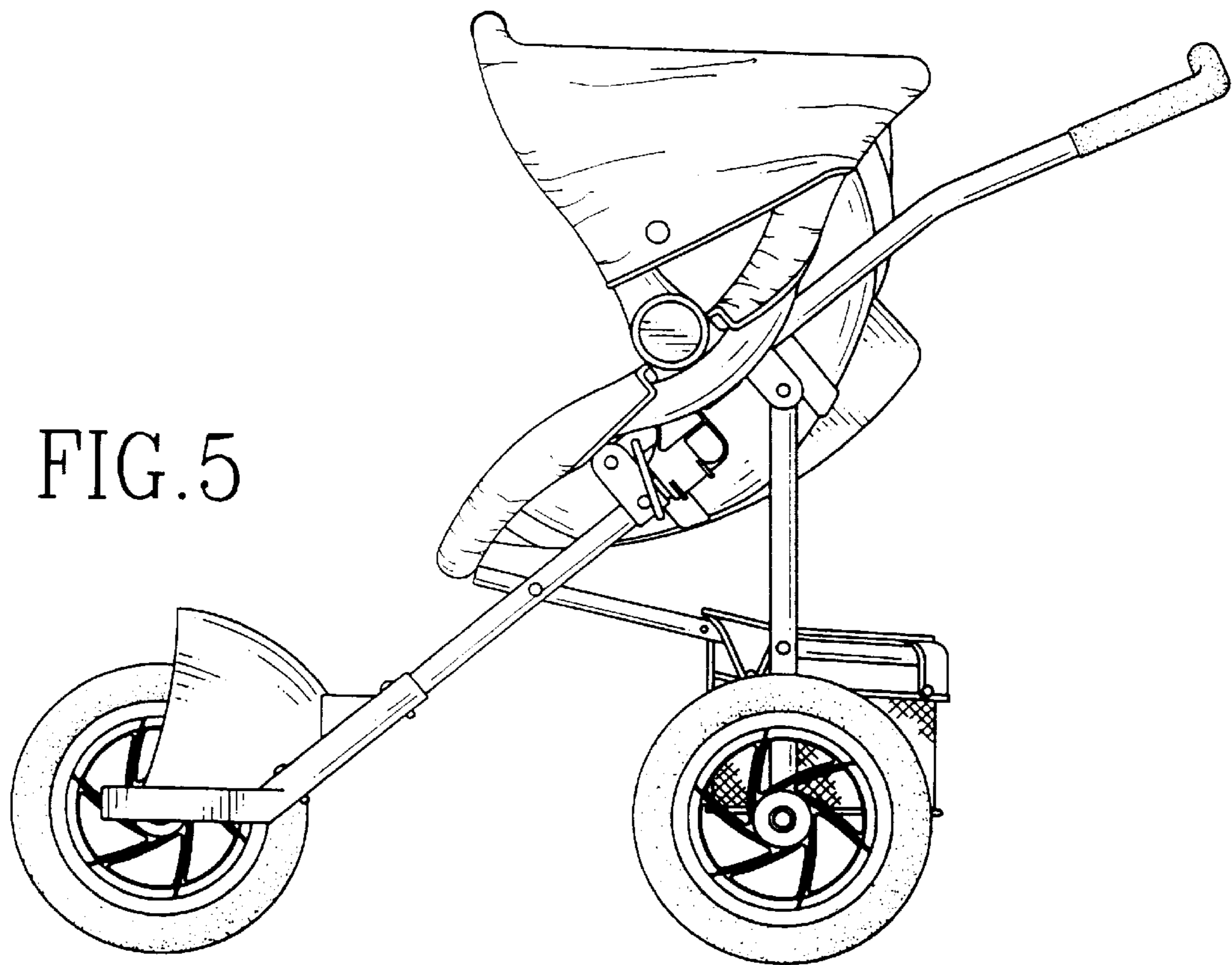


FIG. 5

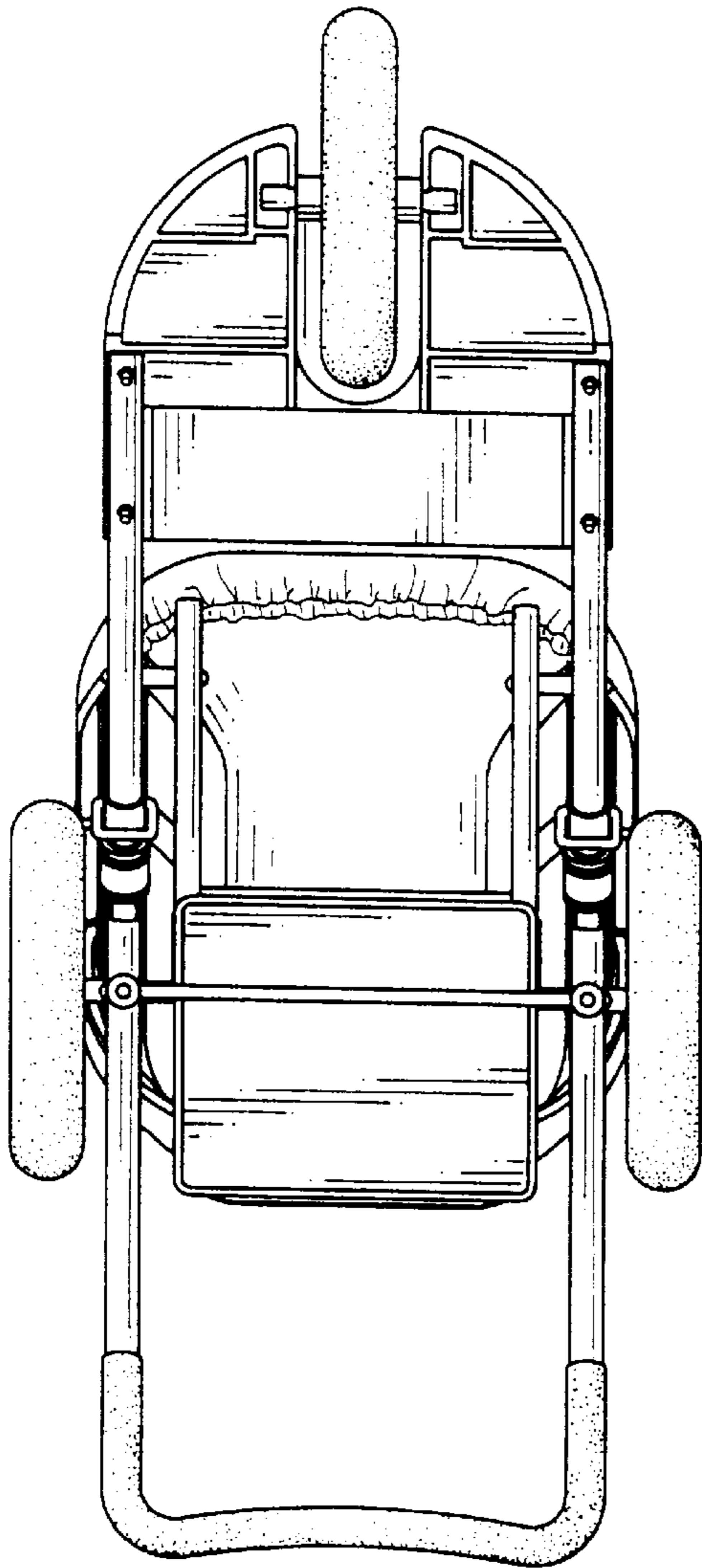


FIG. 7

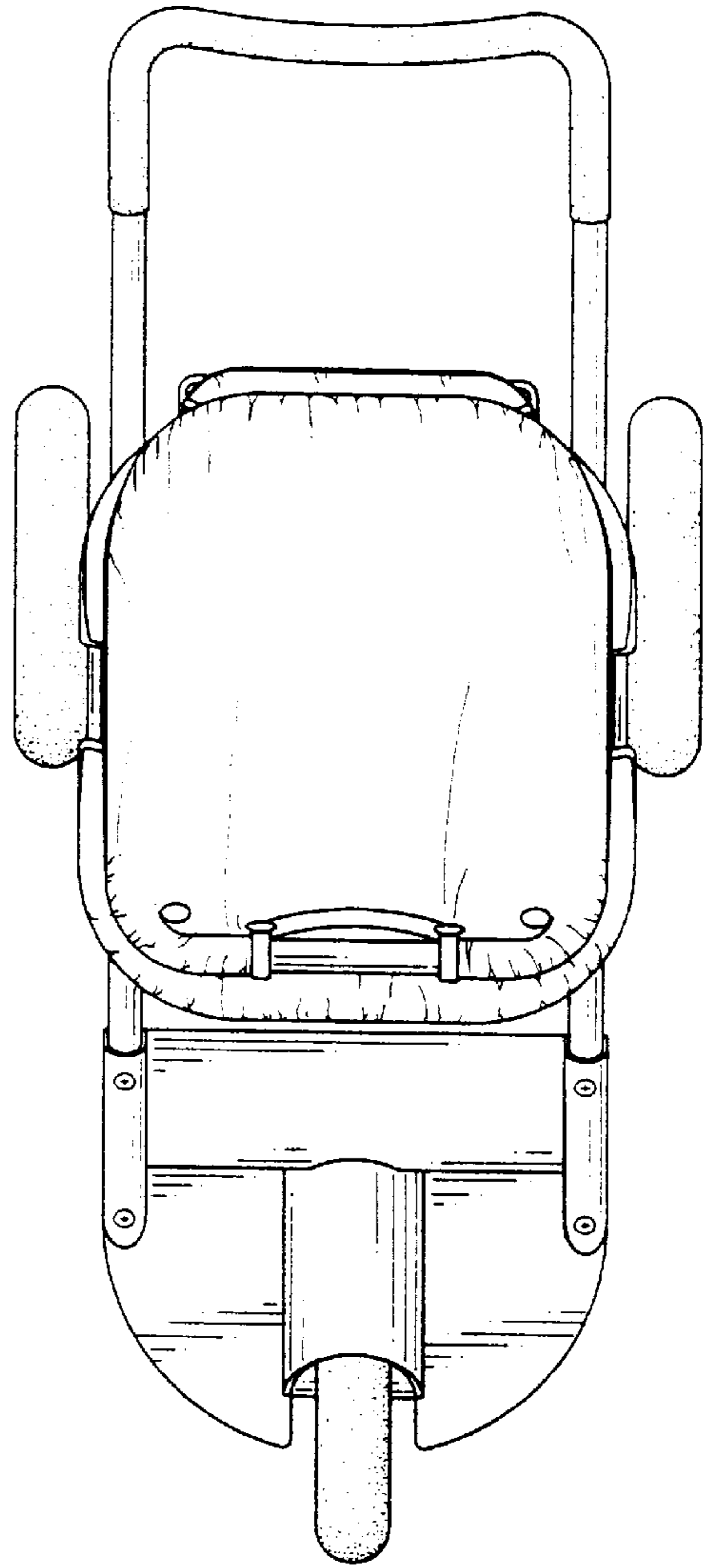


FIG. 6