



US00D422947S

United States Patent [19] Brathwaite

[11] Patent Number: **Des. 422,947**

[45] Date of Patent: **** Apr. 18, 2000**

[54] **BICYCLE TRAINING ARM**

[76] Inventor: **Ulster Brathwaite**, 15 Stephen Ct.,
Brooklyn, N.Y. 11226

[**] Term: **14 Years**

[21] Appl. No.: **29/106,226**

[22] Filed: **Jun. 10, 1998**

[51] **LOC (6) Cl.** **12-11**

[52] **U.S. Cl.** **D12/114**

[58] **Field of Search** D12/111, 112,
D12/114, 115; 280/47.11, 282, 288.4, 293,
304.5

[56] **References Cited**

U.S. PATENT DOCUMENTS

D. 377,634	1/1997	DeLeo	D12/114
D. 384,602	10/1997	Anderberg	D12/114
D. 406,082	2/1999	Albergo	D12/114
5,303,944	4/1994	Kalmus	280/288.4
5,683,093	11/1997	Hayes	280/293
5,915,711	6/1999	Seiple	280/293

Primary Examiner—Alan P. Douglas

Assistant Examiner—Linda Brooks

[57] **CLAIM**

The ornamental design for a bicycle training arm, as shown and described.

DESCRIPTION

FIG. 1 is a left side elevational view of the bicycle training arm of the present invention;

FIG. 2 is a right side elevational view of the bicycle training arm of FIG. 1;

FIG. 3 is a front elevational view of the bicycle training arm of FIG. 1;

FIG. 4 is a rear elevational view of the bicycle training arm of FIG. 1;

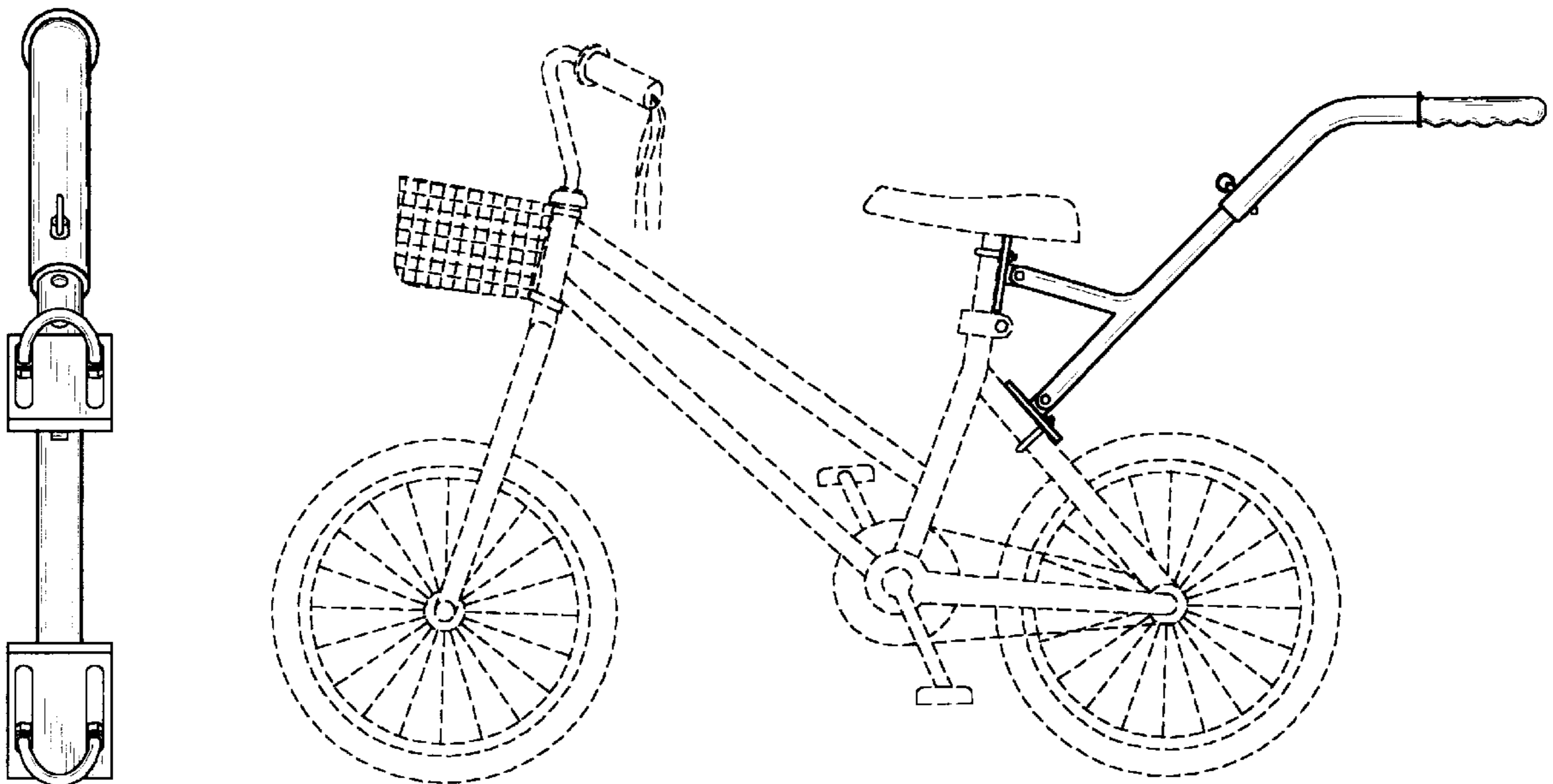
FIG. 5 is a top plan view of the bicycle training arm of FIG. 1;

FIG. 6 is a bottom plan view of the bicycle training arm of FIG. 1; and,

FIG. 7 is a left side elevational view of the bicycle training arm of FIG. 1 on a reduced scale in use.

The broken lines showing a bicycle in FIG. 7 are for illustrative purposes only and form no part of the claimed design.

1 Claim, 3 Drawing Sheets



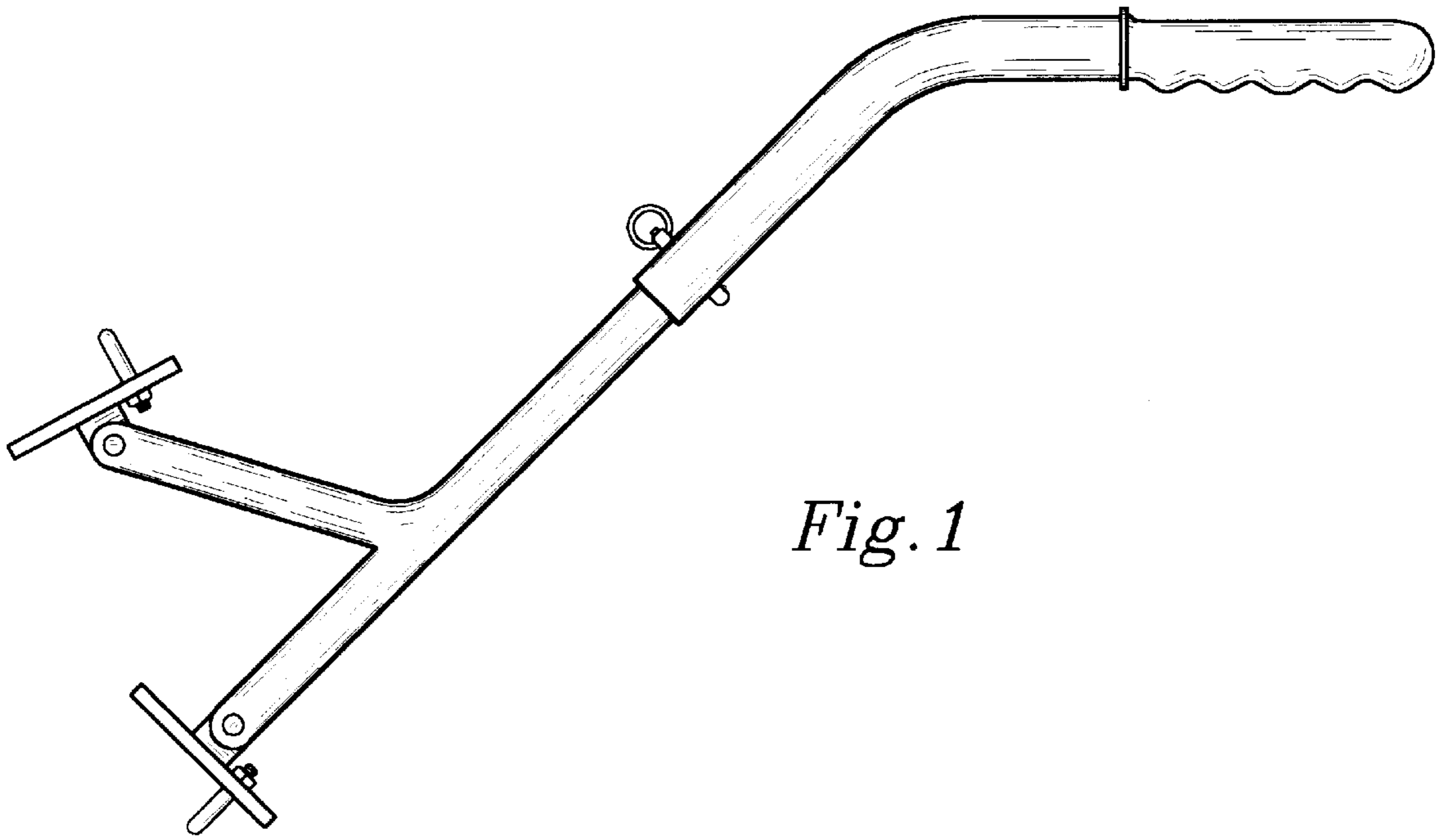


Fig. 1

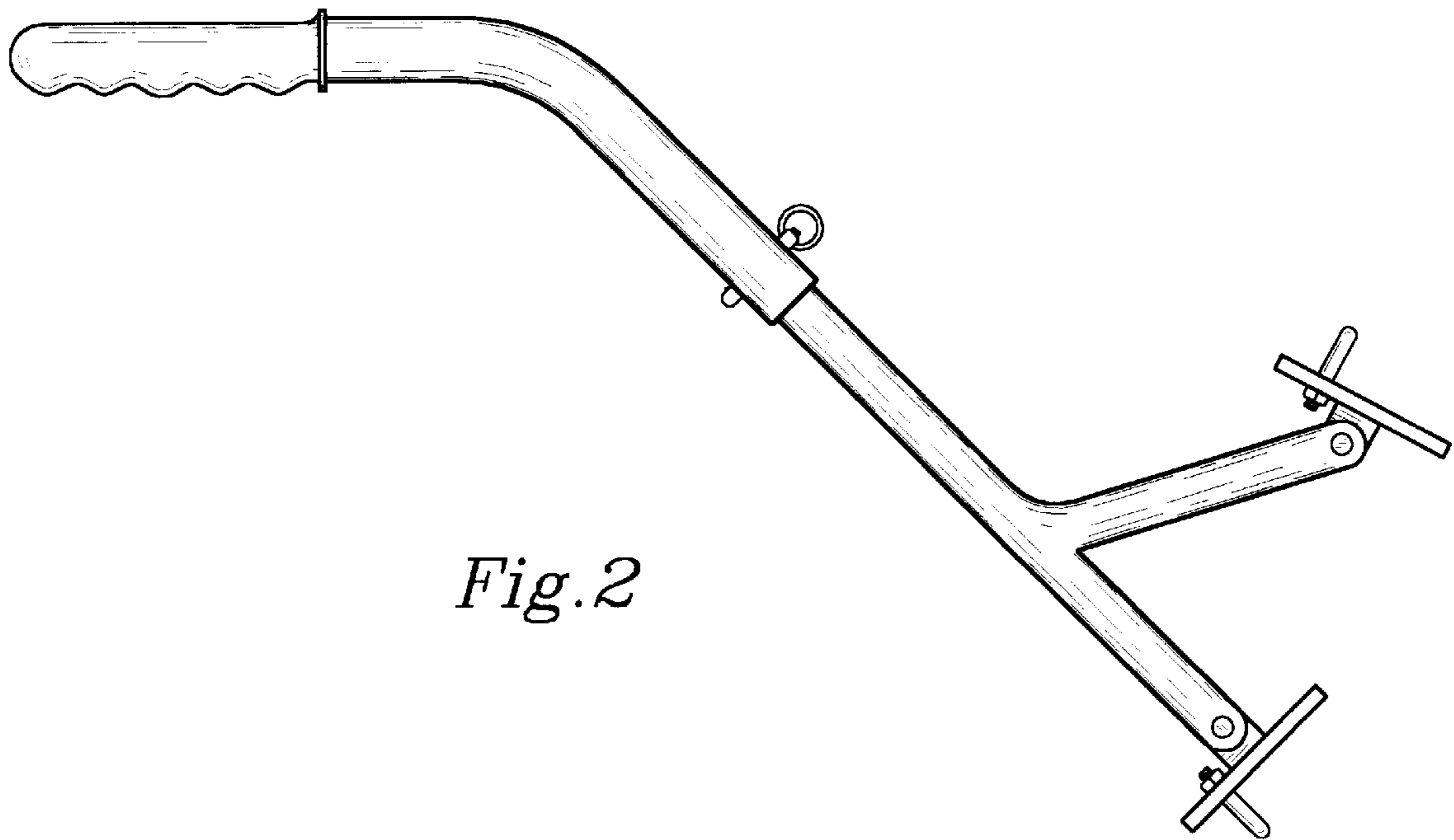


Fig. 2

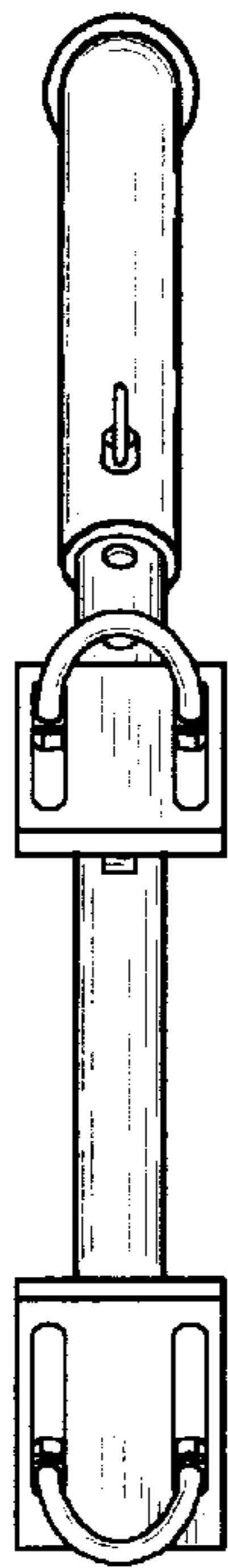


Fig. 3

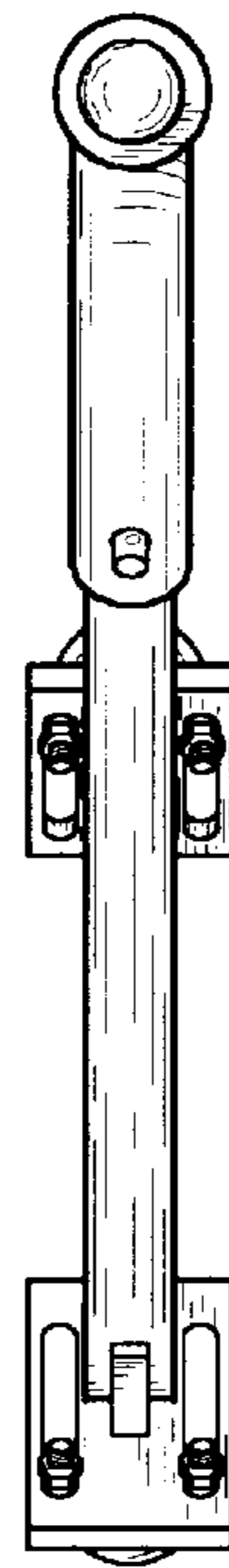


Fig. 4



Fig. 5

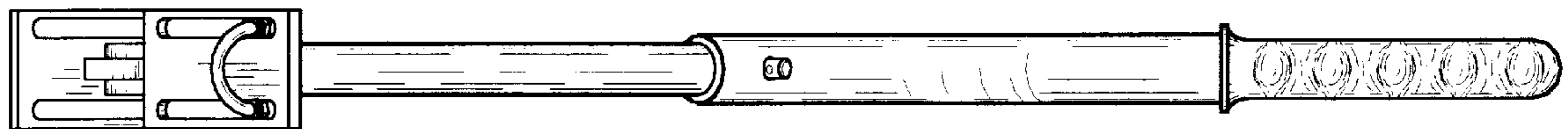


Fig. 6

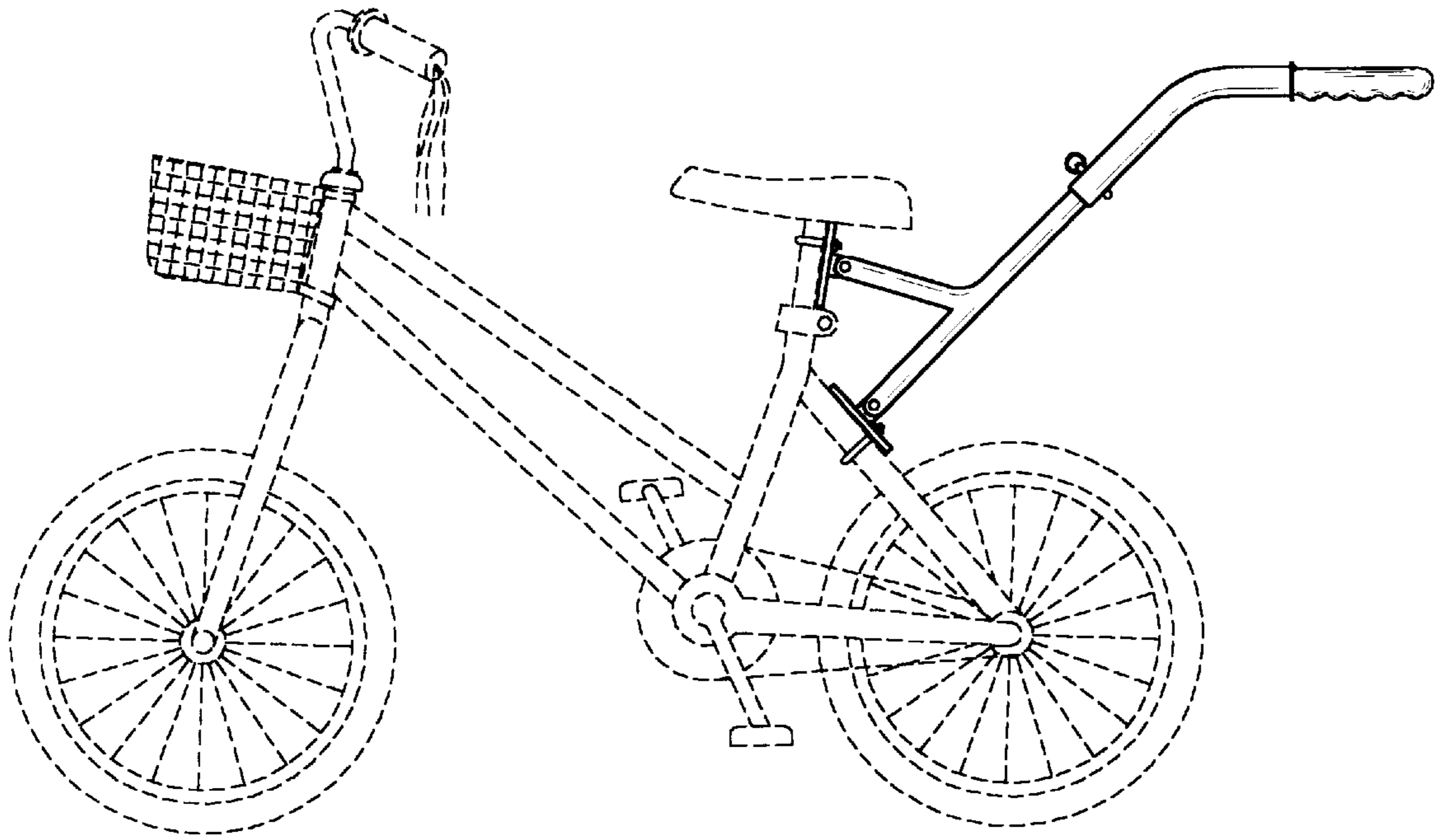


Fig. 7