



US00D422945S

United States Patent [19]

Luo

[11] Patent Number: **Des. 422,945**

[45] Date of Patent: **** Apr. 18, 2000**

[54] **FOUR-WHEEL VEHICLE**

D. 349,078 7/1994 Kimura et al. D12/107
D. 405,029 2/1999 Deutschman D12/107

[75] Inventor: **Julian Luo**, Tainan, Taiwan

[73] Assignee: **E-Ton Dynamics Technology Industry Co., LTD.**, Tainan Hsien, Taiwan

[**] Term: **14 Years**

Primary Examiner—Melody N. Brown
Attorney, Agent, or Firm—Skjerven, Morrill, MacPherson, Franklin & Friel LLP; Alan H. MacPherson; Hugh H. Matsubayashi

[21] Appl. No.: **29/098,021**

[22] Filed: **Dec. 16, 1998**

[51] **LOC (6) Cl.** **12-11**

[52] **U.S. Cl.** **D12/107**

[58] **Field of Search** D12/107, 3; 180/233,
180/311, 312, 225, 229, 315

[57] CLAIM

The ornamental design for a four-wheel vehicle, as shown and described.

DESCRIPTION

FIG. 1 is a perspective view of a four-wheel vehicle showing my new design;

FIG. 2 is a front elevational view thereof;

FIG. 3 is a rear elevational view thereof;

FIG. 4 is a left side elevational view thereof;

FIG. 5 is a right side elevational view thereof;

FIG. 6 is a top plan view thereof; and,

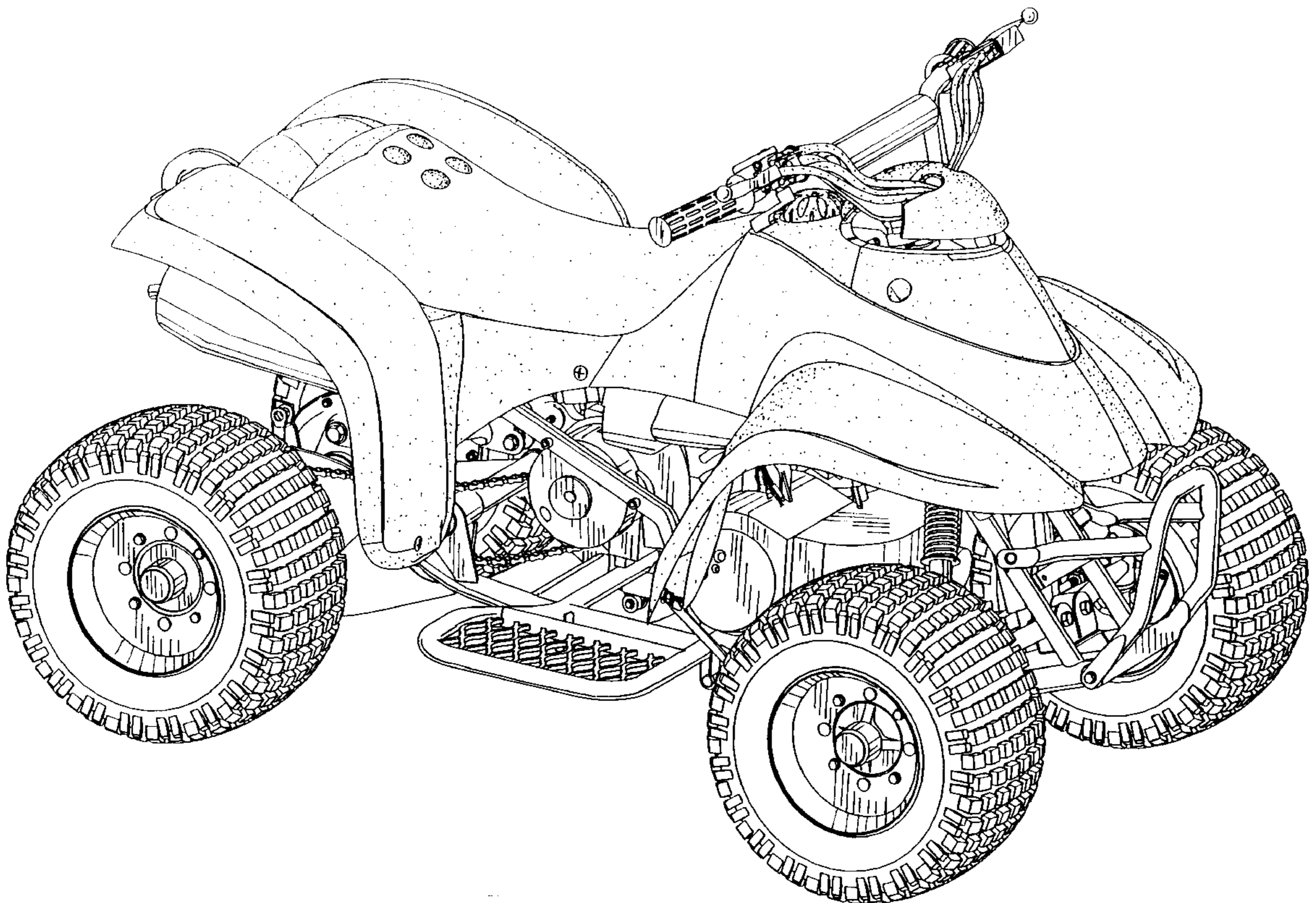
FIG. 7 is a bottom plan view thereof.

[56] References Cited

U.S. PATENT DOCUMENTS

D. 286,866 11/1986 Makita et al. D12/107
D. 298,812 12/1988 Migata D12/107
D. 327,457 6/1992 Saito D12/107
D. 330,694 11/1992 Kimura et al. D12/107

1 Claim, 7 Drawing Sheets



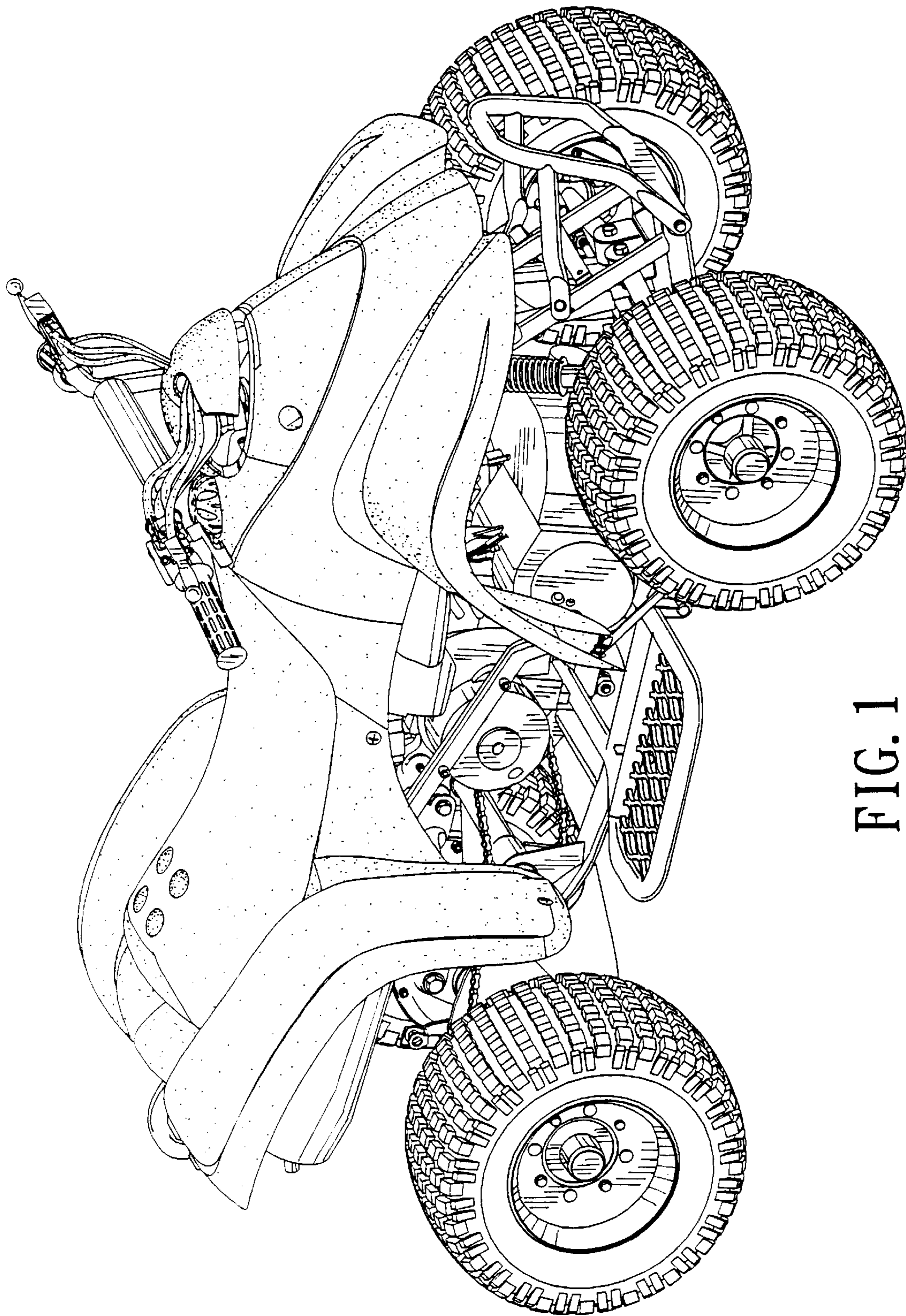


FIG. 1

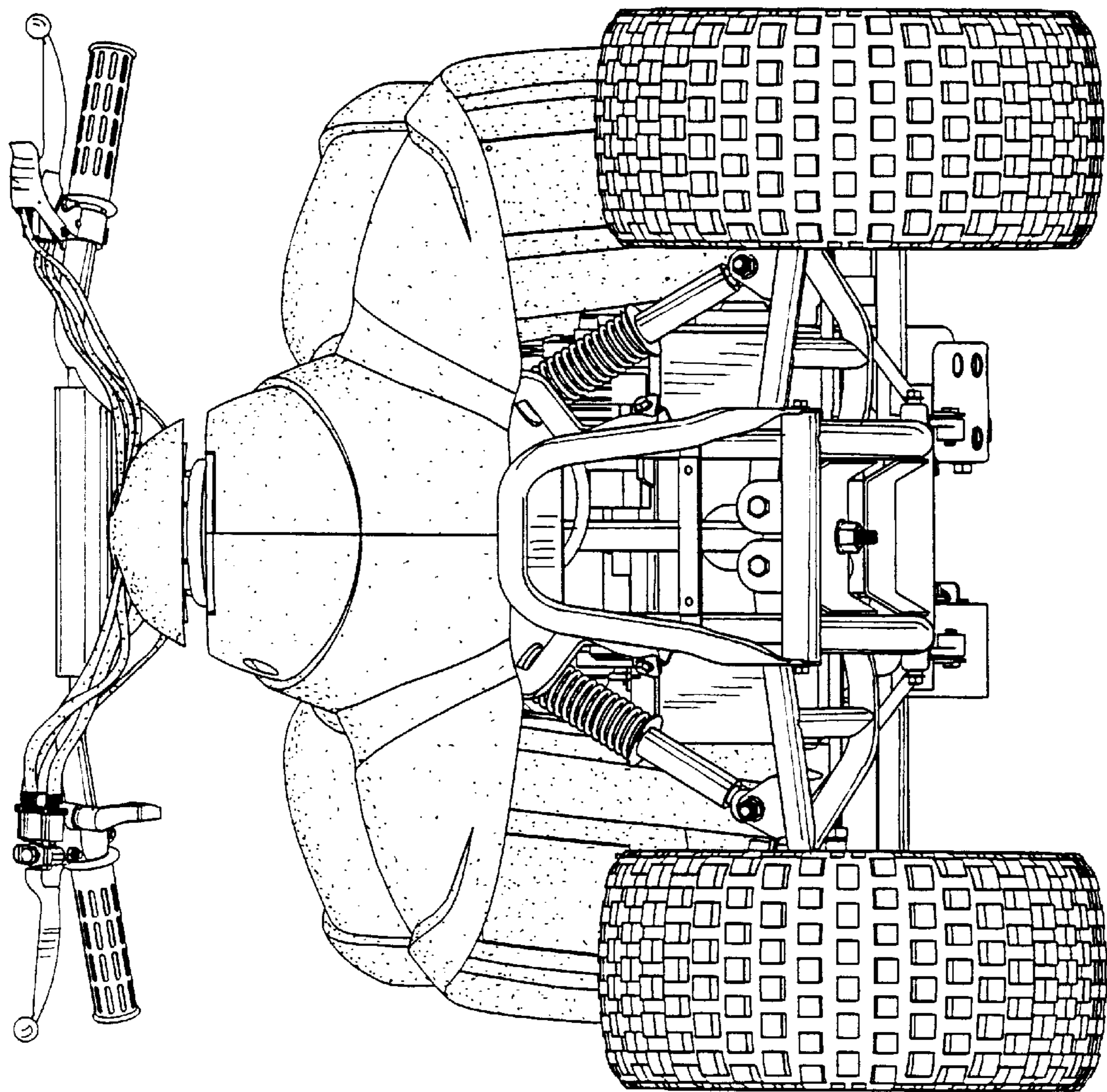


FIG. 2

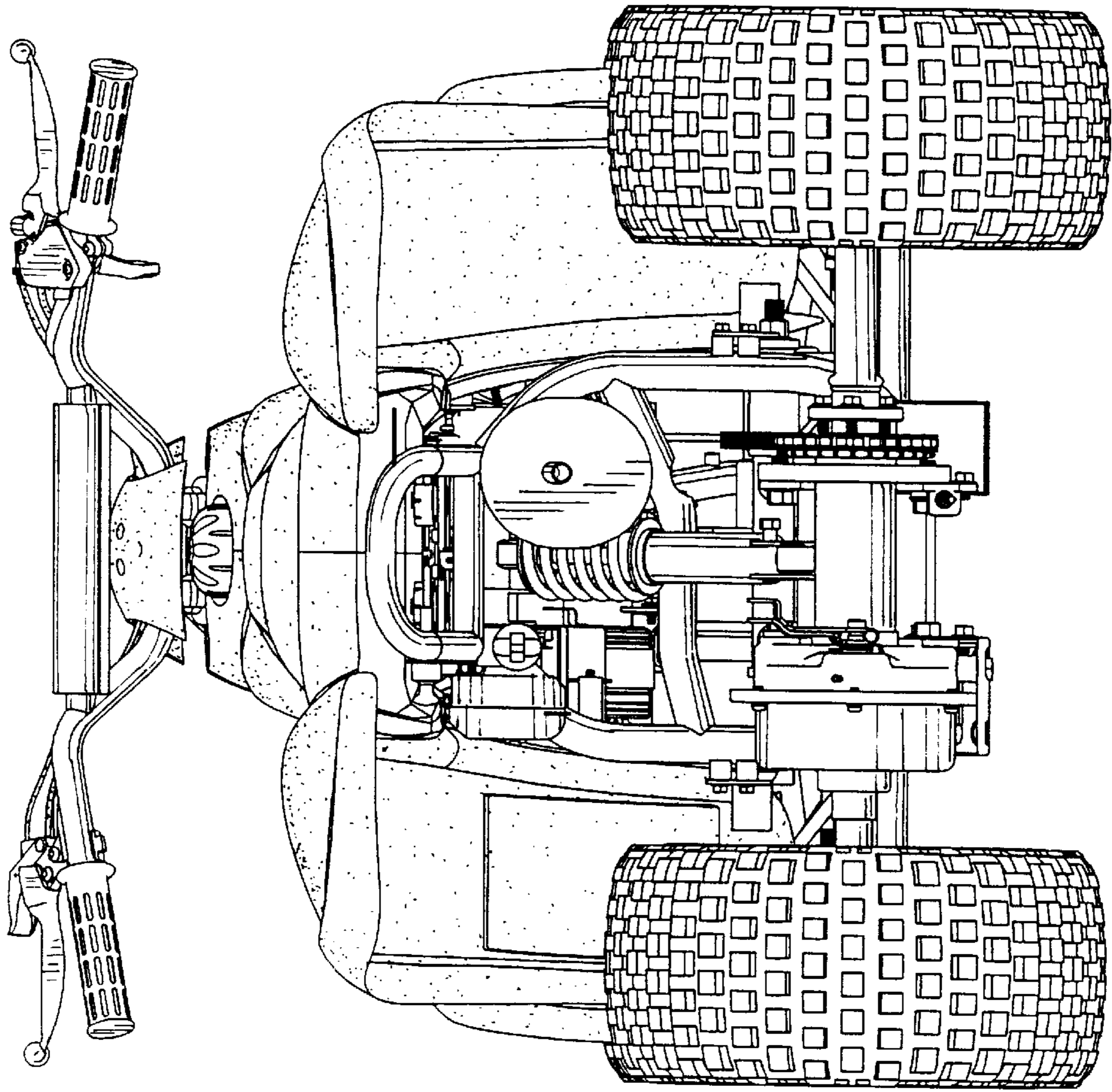


FIG. 3

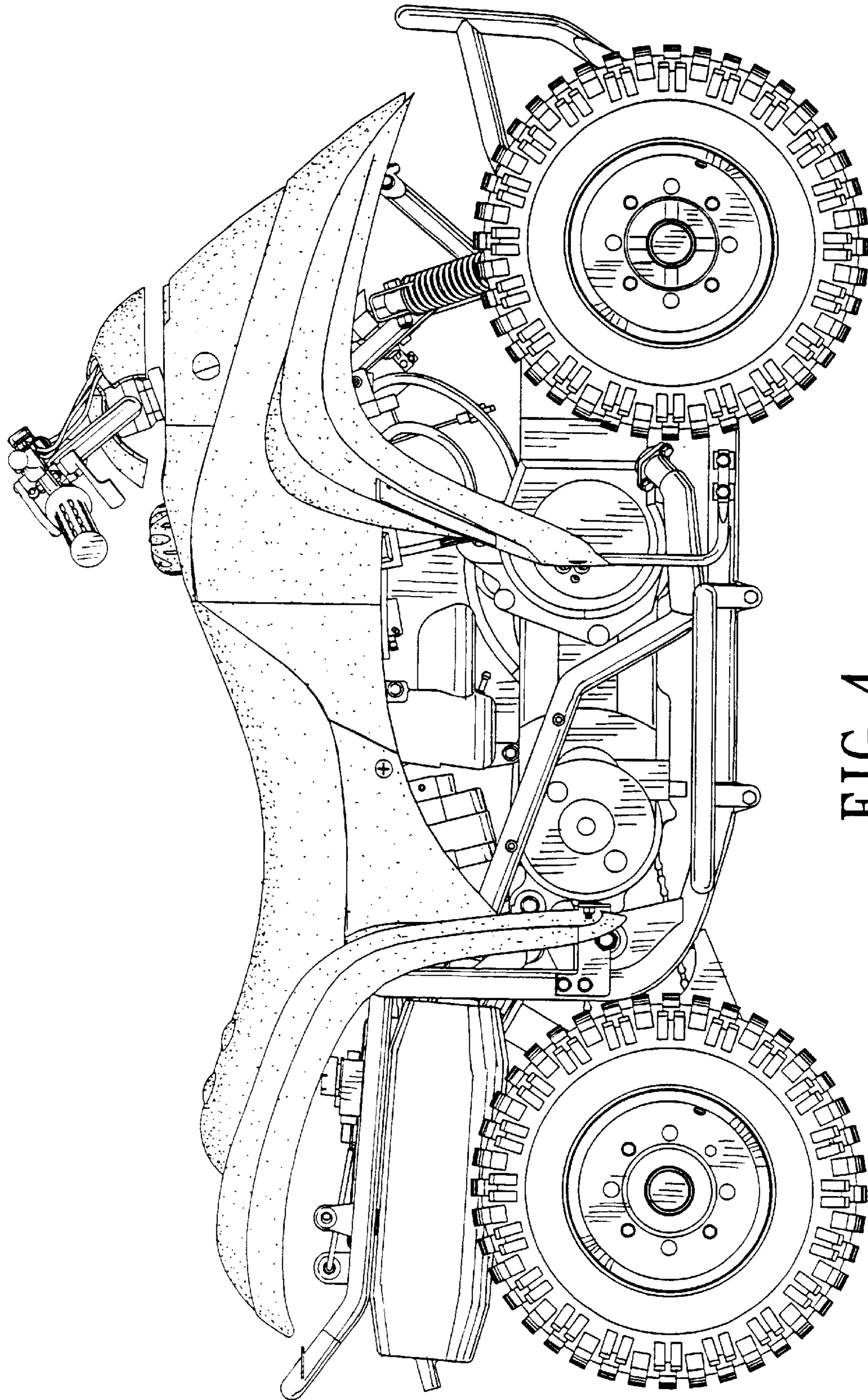


FIG. 4

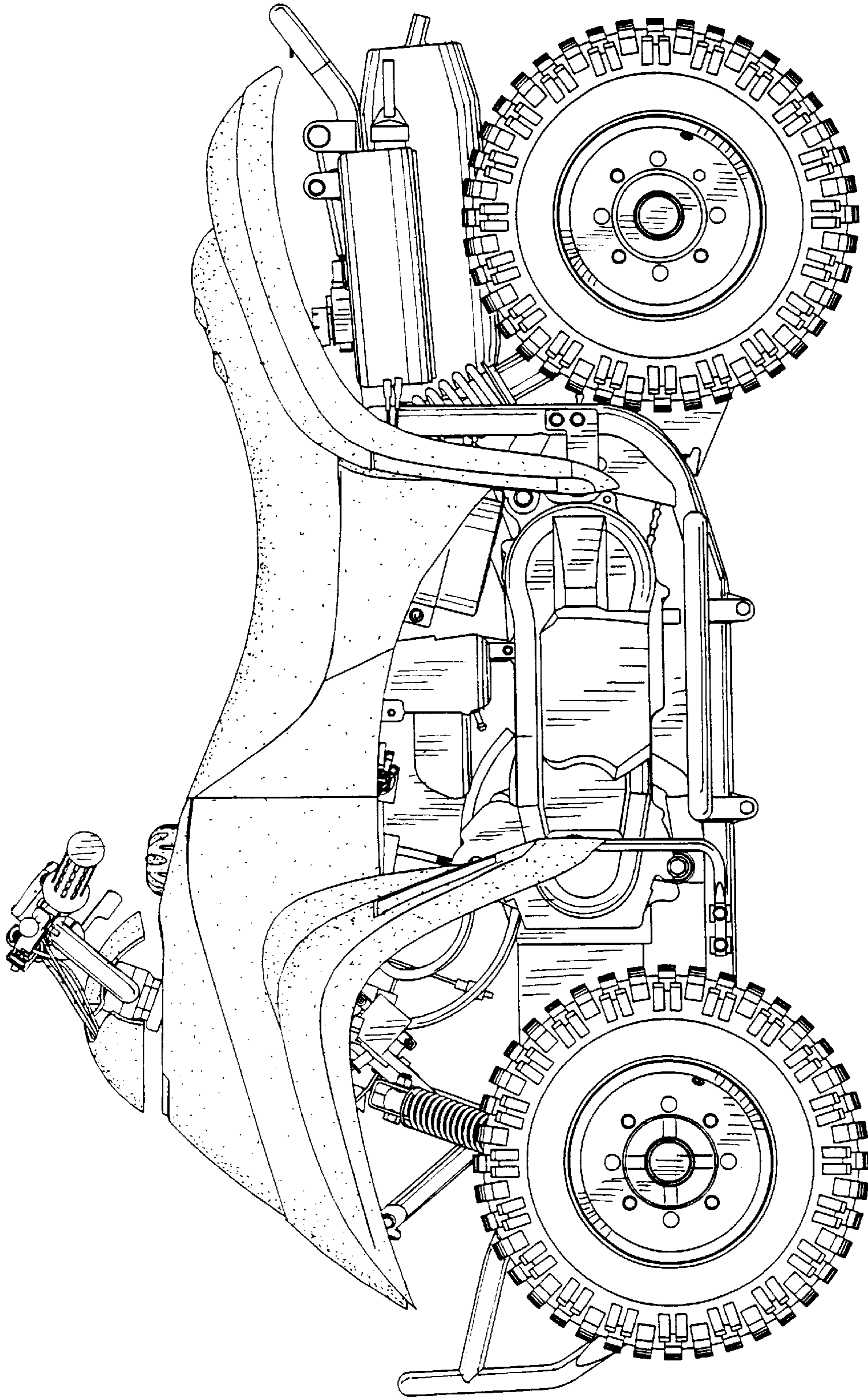


FIG. 5

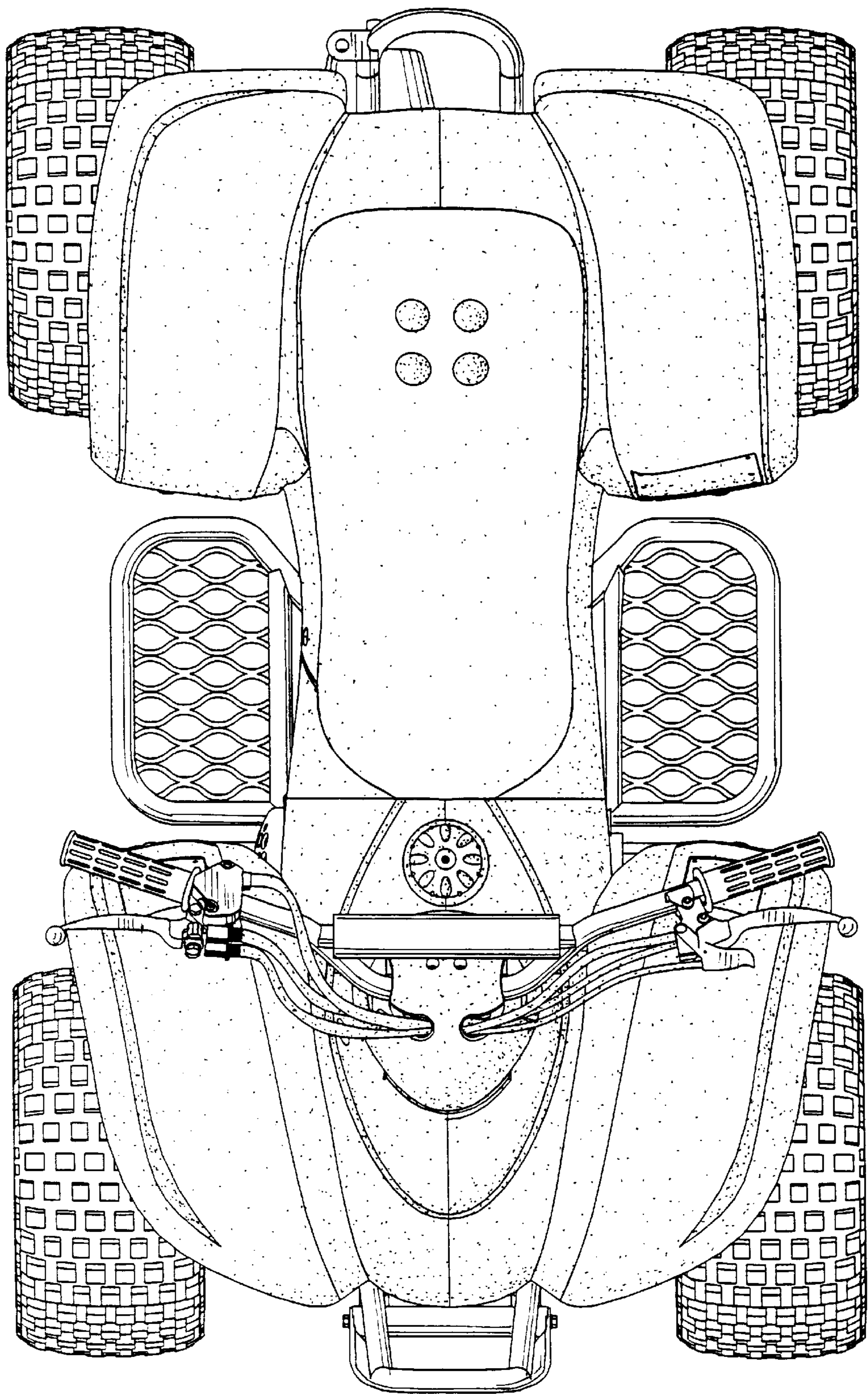


FIG. 6

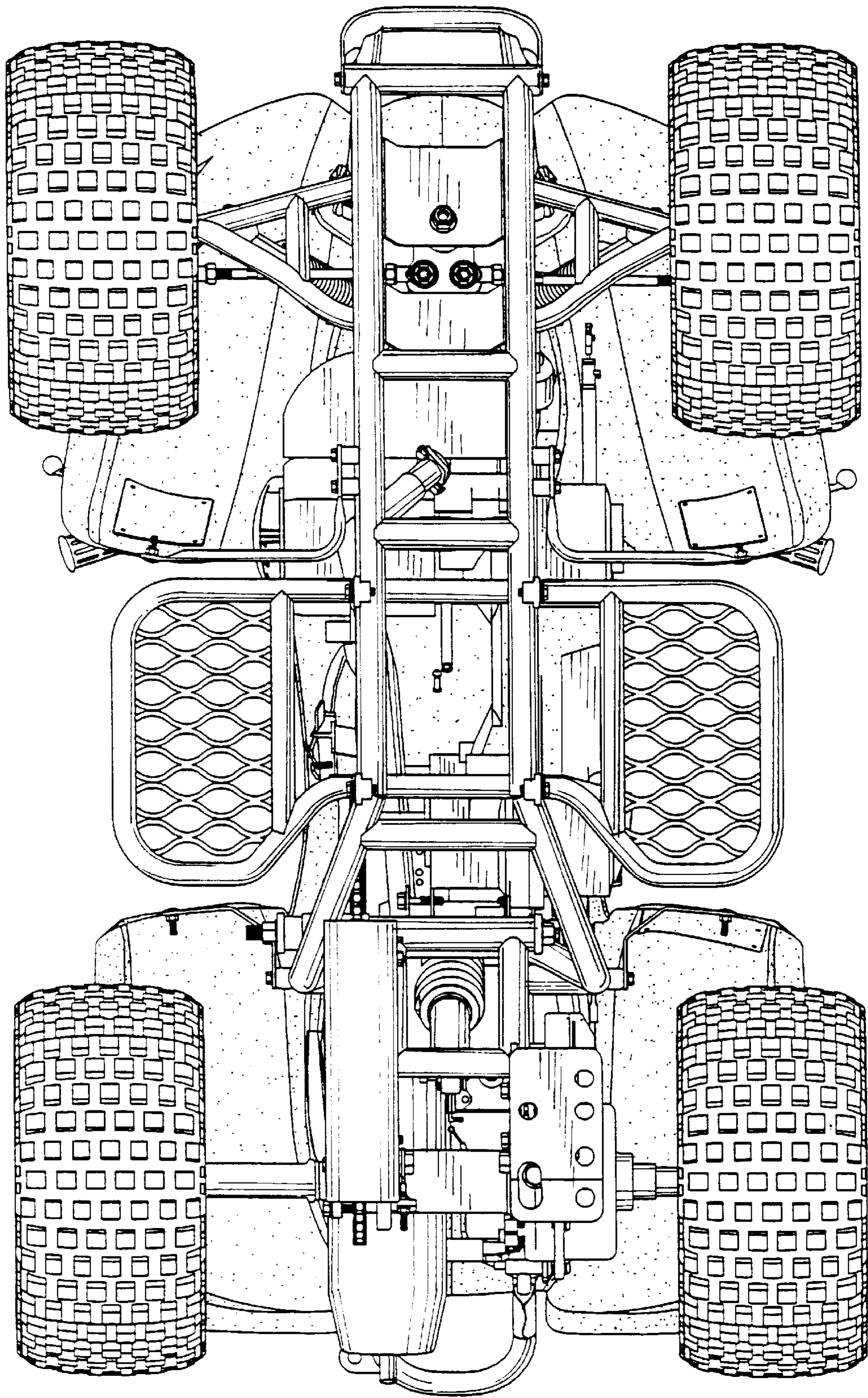


FIG. 7