



US00D422942S

United States Patent [19] Giugiaro

[11] Patent Number: Des. 422,942

[45] Date of Patent: ** Apr. 18, 2000

[54] CAR BODY

[75] Inventor: Giorgetto Giugiaro, Moncalieri, Italy

[73] Assignee: Maserati S.p.A., Modena, Italy

[**] Term: 14 Years

[21] Appl. No.: 29/095,911

[22] Filed: Nov. 2, 1998

[51] LOC (6) Cl. 12-08

[52] U.S. Cl. D12/92

[58] Field of Search D12/90-92; 296/185

[56] **References Cited**

U.S. PATENT DOCUMENTS

D. 396,021	7/1998	Kim	D12/92
D. 396,022	7/1998	Kim	D12/92
D. 396,665	8/1998	Cho	D12/92
D. 397,962	9/1998	Herner et al.	D12/92

Primary Examiner—Melody N. Brown
Attorney, Agent, or Firm—Robin, Blecker & Daley

[57] **CLAIM**

The ornamental design for a car body, as shown and described.

DESCRIPTION

FIG. 1 is a front perspective view of a car body showing my new design;

FIG. 2 is a rear perspective view thereof;

FIG. 3 is right view thereof;

FIG. 4 is left view thereof;

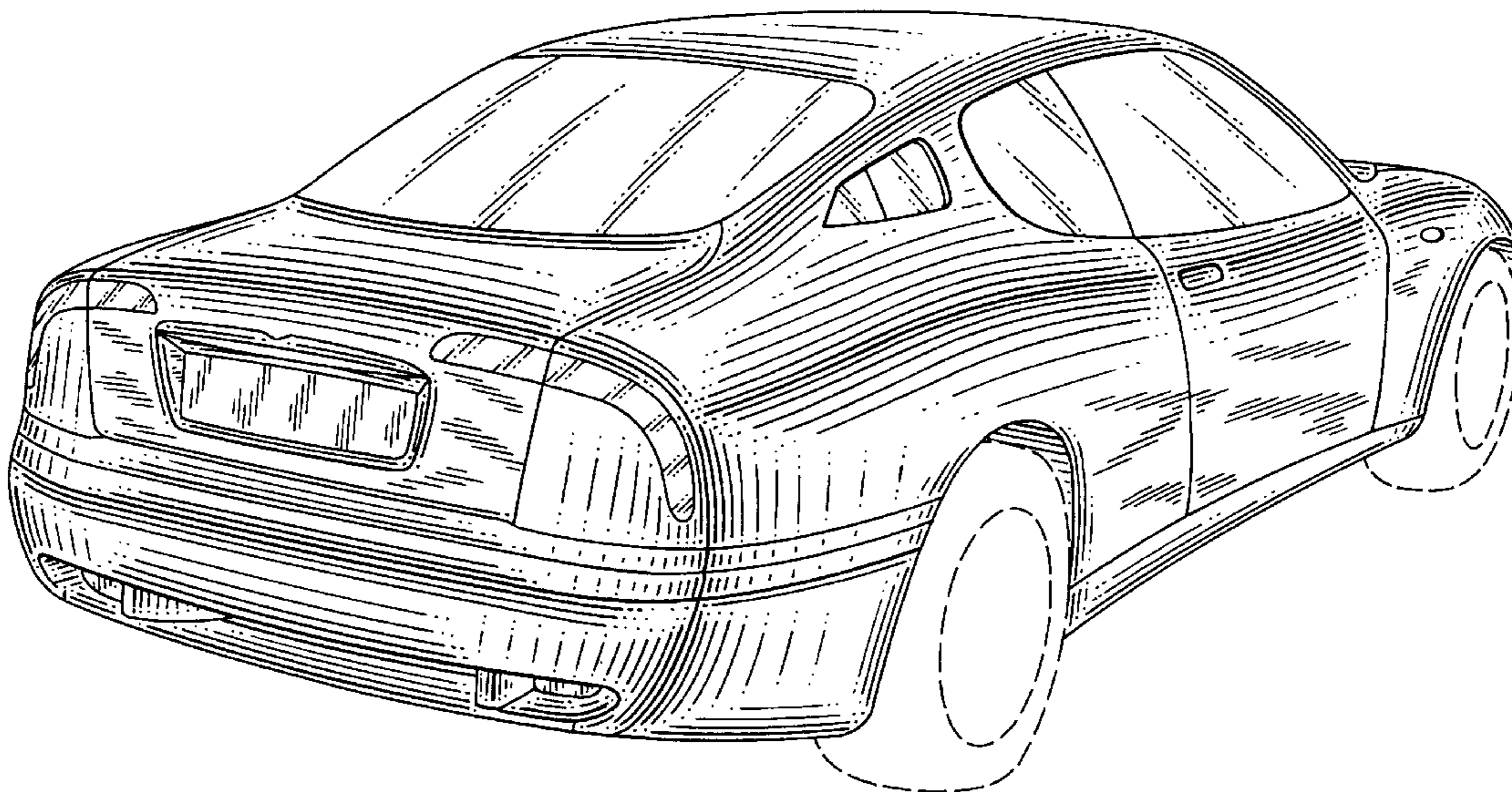
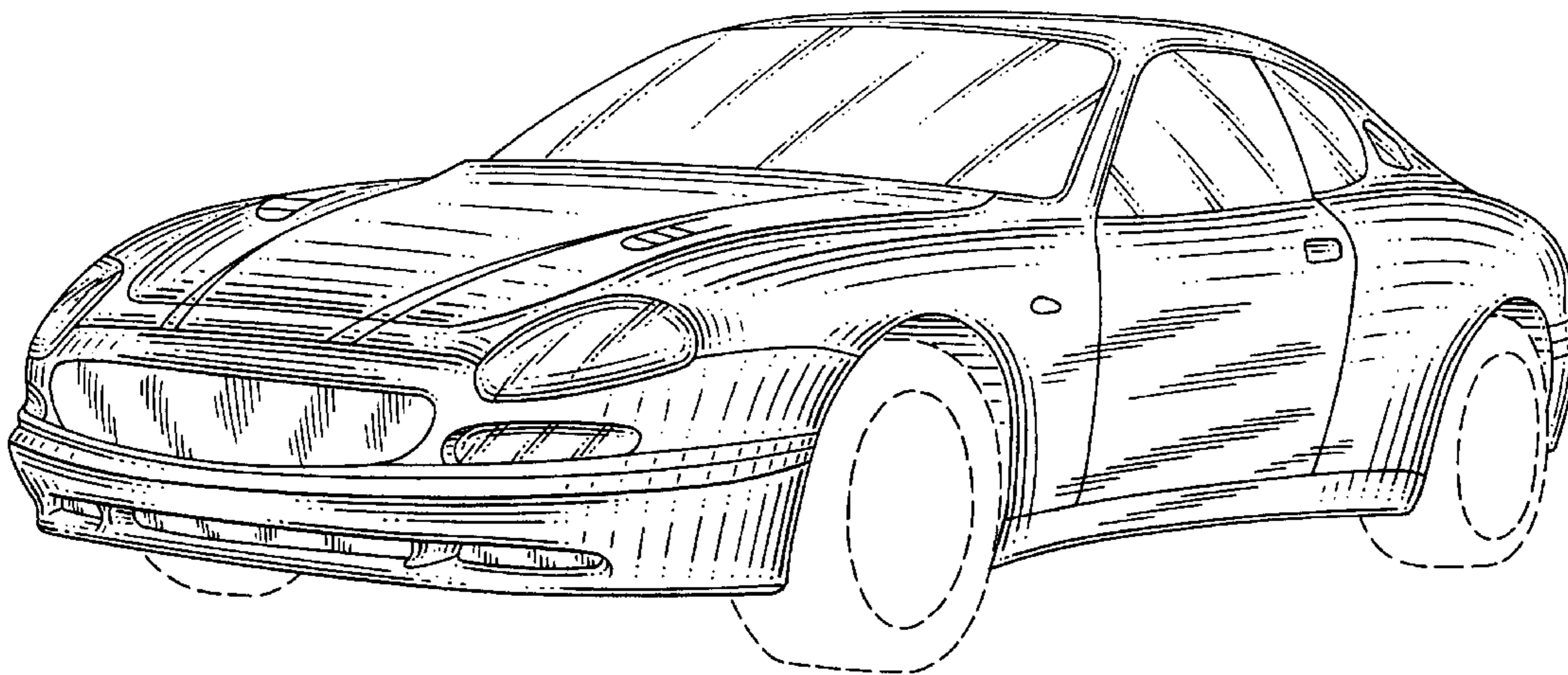
FIG. 5 is a top plan view thereof;

FIG. 6 is a front elevational view; and,

FIG. 7 is a rear elevational view thereof.

The wheels shown in broken lines in FIGS. 1, 2, 3, 4, 6 and 7 are for illustrative purposes only and form no part of the claimed design.

1 Claim, 7 Drawing Sheets



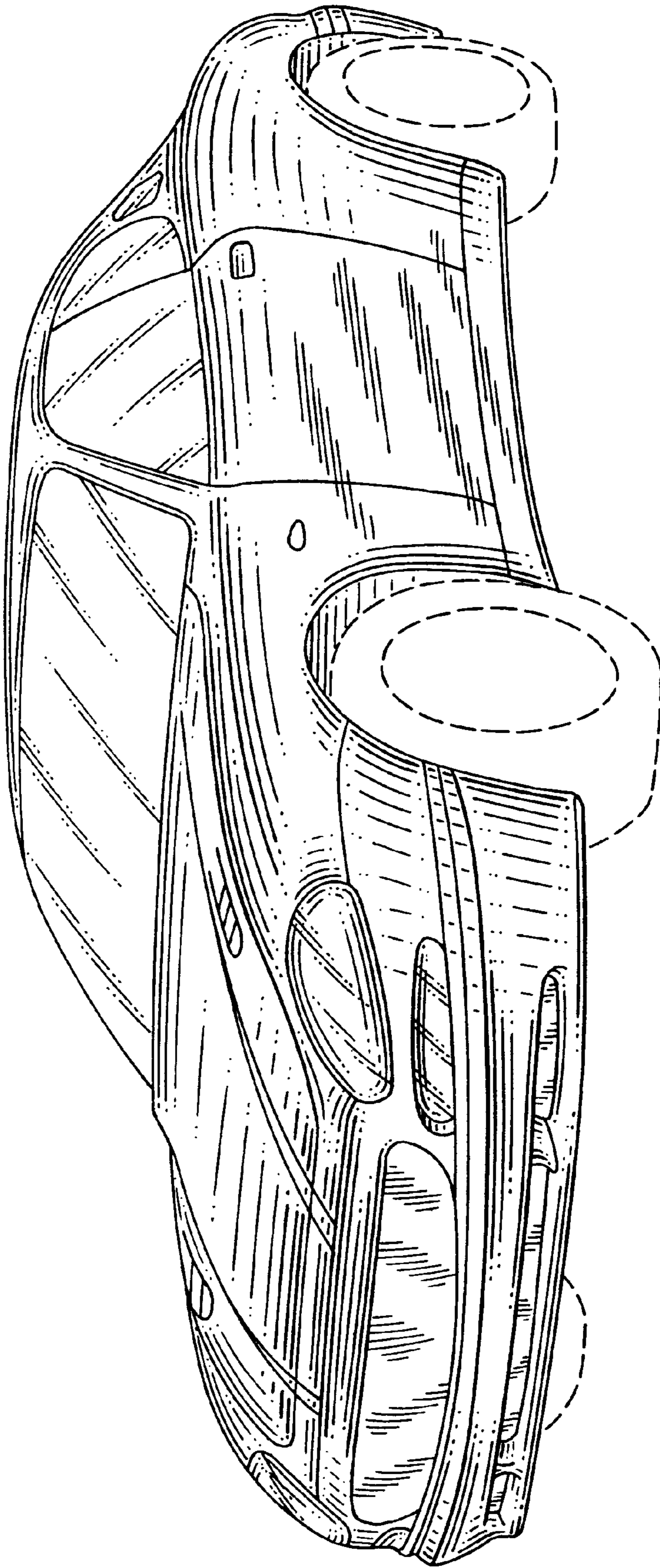


FIG. 1

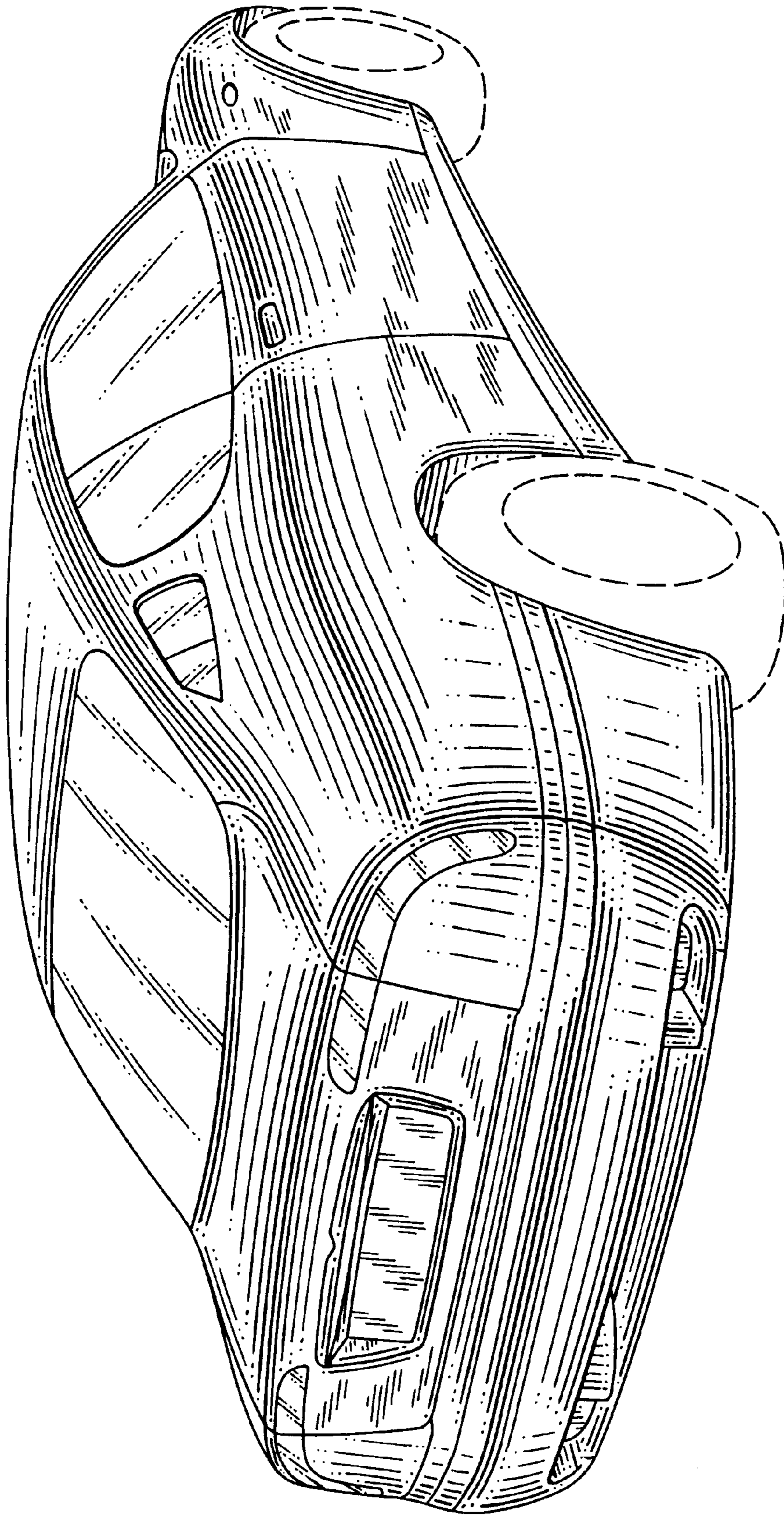


FIG. 2

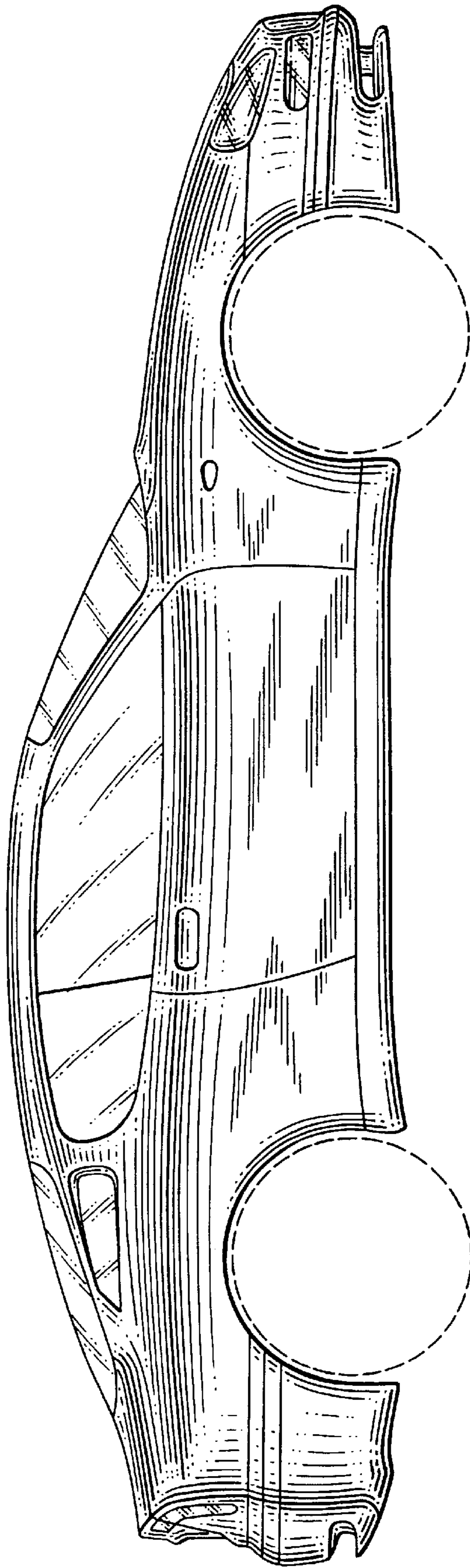


FIG. 3

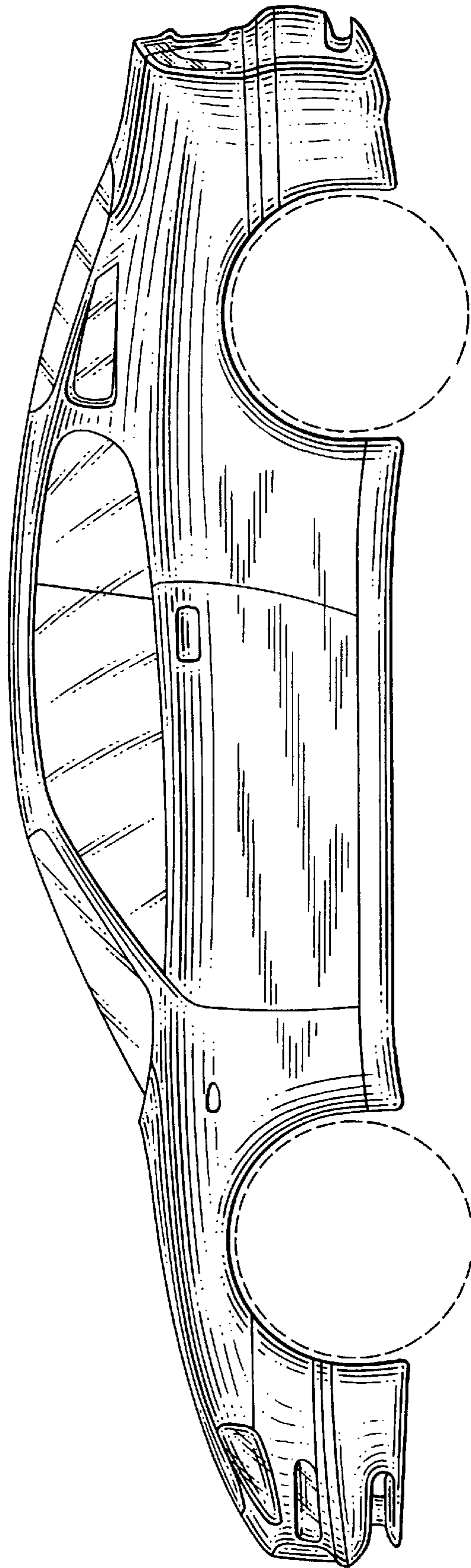


FIG. 4

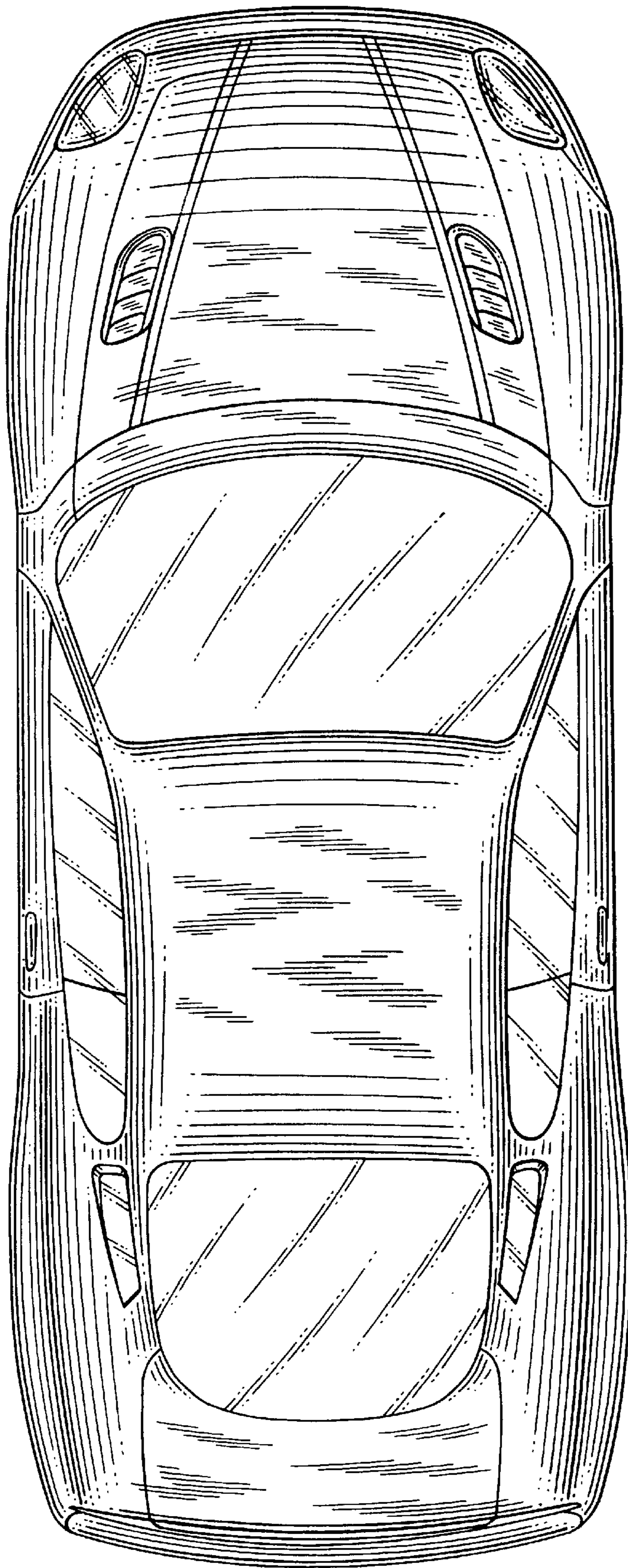


FIG. 5

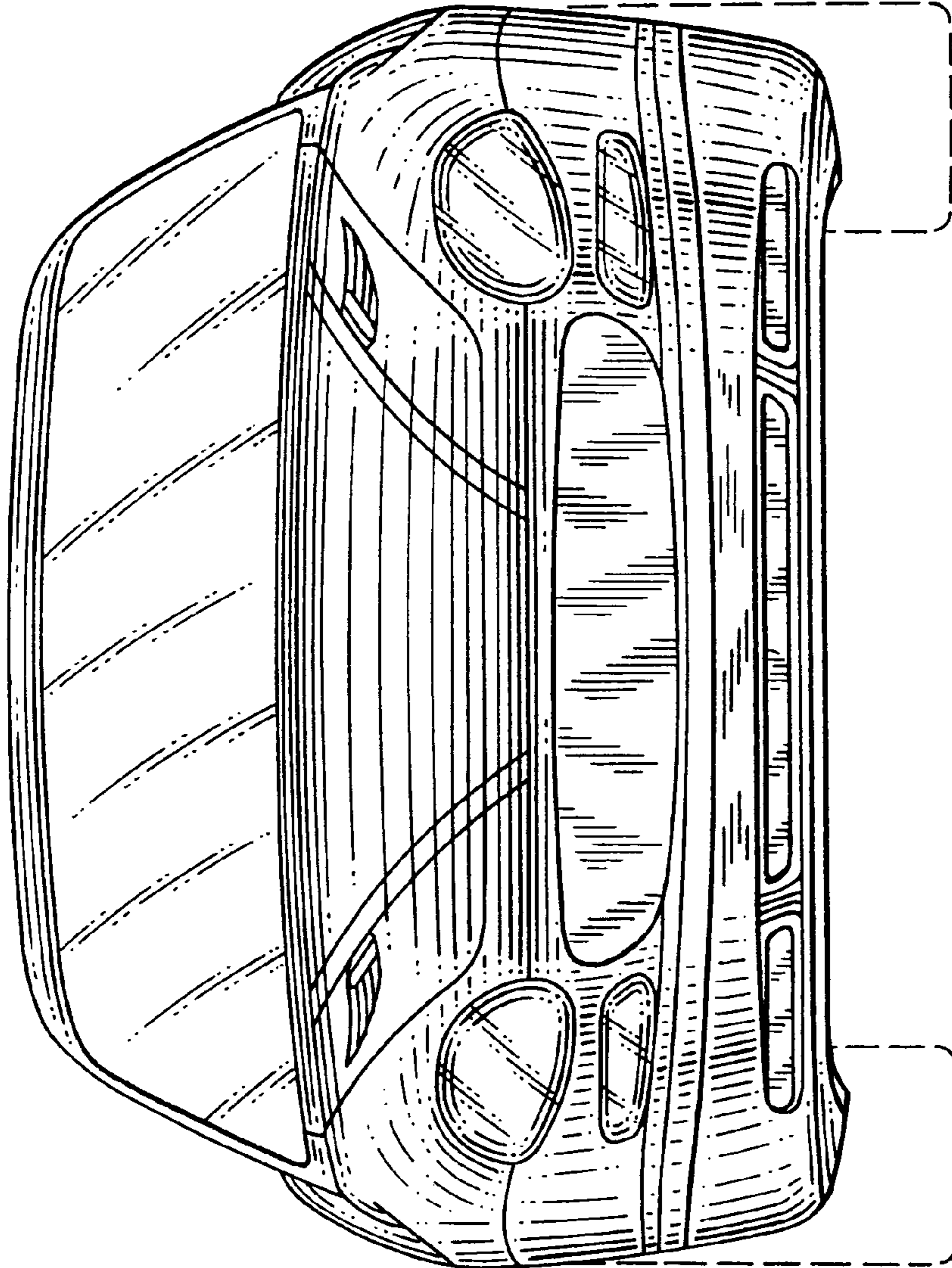


FIG. 6

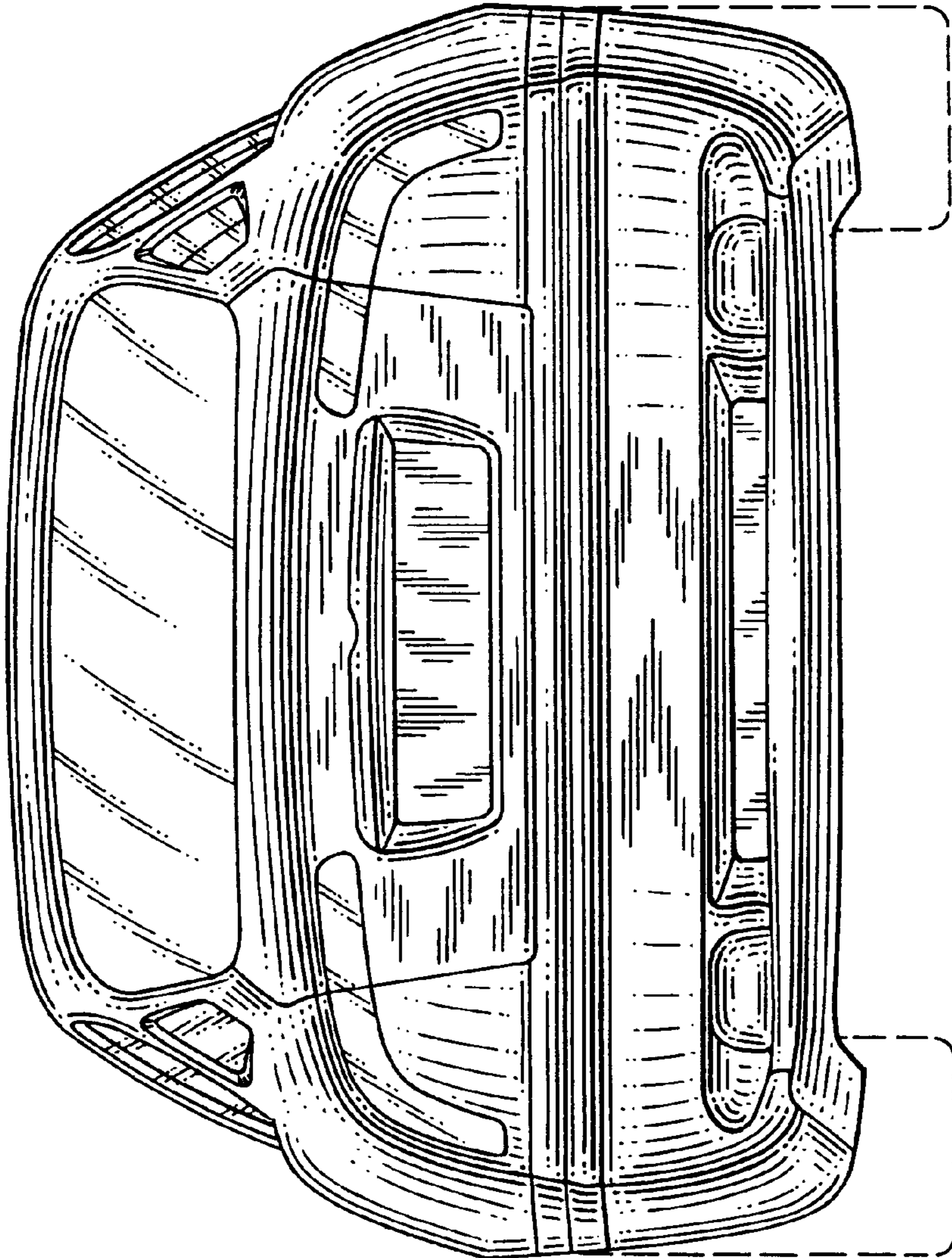


FIG. 7