



US00D422937S

# United States Patent [19]

Pontaoe

[11] **Patent Number: Des. 422,937**

[45] **Date of Patent: \*\* Apr. 18, 2000**

[54] **FOUR-WAY BUCKLE OR SIMILAR ARTICLE**

[75] Inventor: **John S. Pontaoe**, Chicago, Ill.

[73] Assignee: **Illinois Tool Works Inc.**, Glenview, Ill.

[\*\*] Term: **14 Years**

[21] Appl. No.: **29/099,048**

[22] Filed: **Jan. 12, 1999**

[51] **LOC (6) Cl.** ..... **02-07**

[52] **U.S. Cl.** ..... **D11/218**

[58] **Field of Search** ..... D11/200, 201,  
D11/216, 218, 215; 24/96, 97, 193, 196,  
197, 200, 230 R, 164, 616, 633, 625; D8/383

[56] **References Cited**

**U.S. PATENT DOCUMENTS**

- D. 342,465 12/1993 Anthony et al. .... D11/218
- D. 349,664 8/1994 Ueno ..... D11/216
- D. 387,014 12/1997 Matoba ..... D11/218

- D. 387,307 12/1997 Matoba ..... D11/218
- D. 389,426 1/1998 Merrick et al. .... D11/216
- 5,220,713 6/1993 Lane et al. .... 24/628

*Primary Examiner*—Ralf Seifert

[57] **CLAIM**

An ornamental design for a four-way buckle or similar article, as shown.

**DESCRIPTION**

FIG. 1 is a top perspective view of an ornamental four-way buckle or similar article according to the invention.

FIG. 2 is a top plan view thereof.

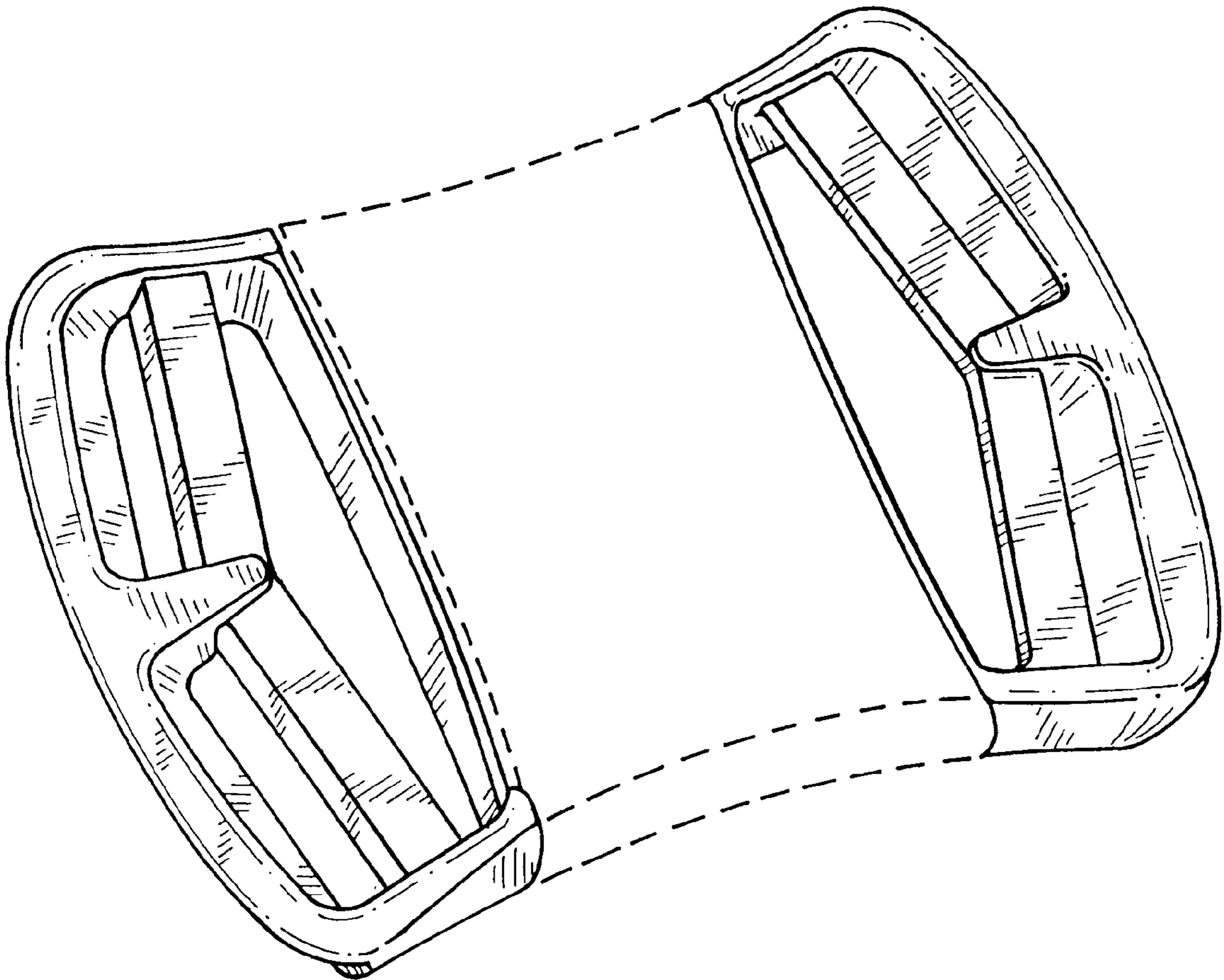
FIG. 3 is a side view thereof, the other opposing side view being identical.

FIG. 4 is a bottom plan view thereof; and,

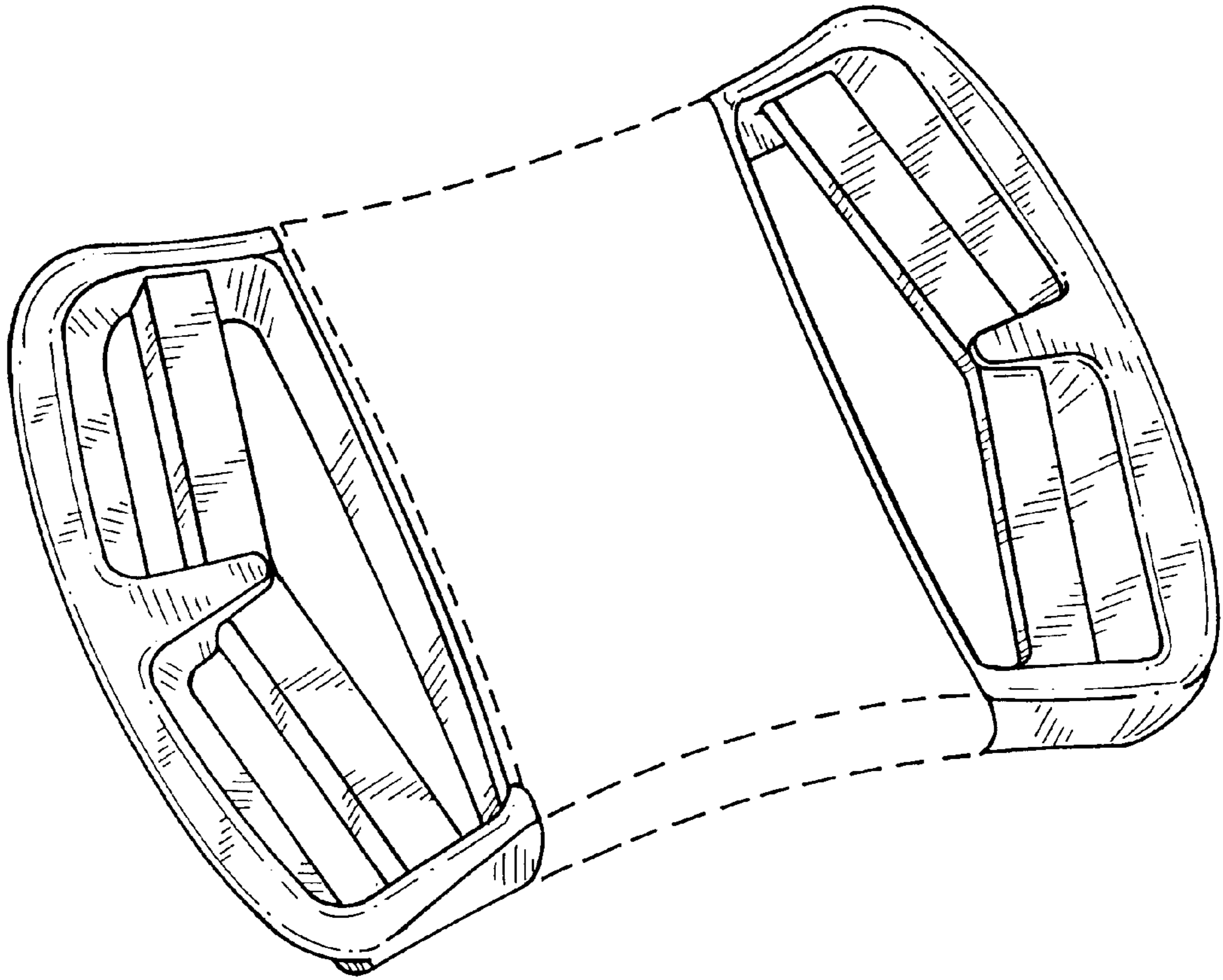
FIG. 5 is an end view thereof, the other opposing end view being identical.

The broken line portions of the Figures are for illustrative purposes only and form no part of the claimed design.

**1 Claim, 2 Drawing Sheets**



*FIG. 1*



*FIG. 5*

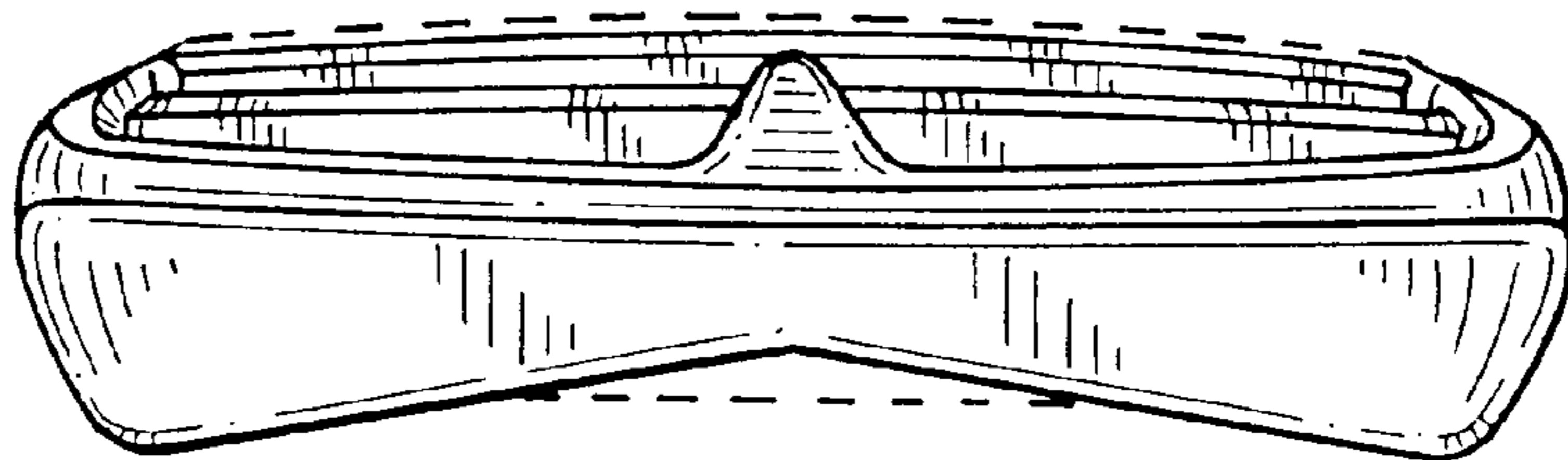


FIG. 2

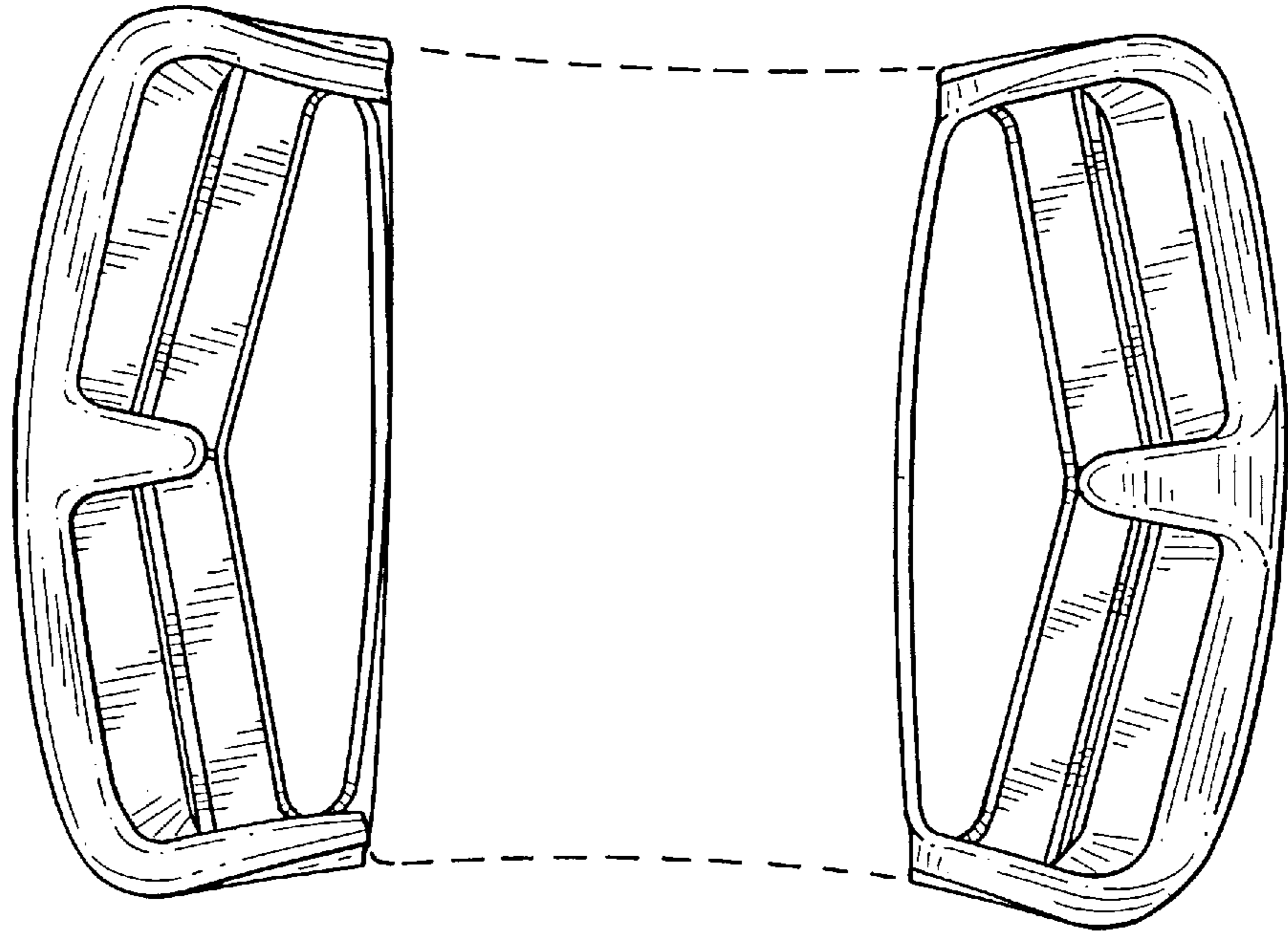


FIG. 3



FIG. 4

