



US00D422936S

United States Patent [19] Tsou

[11] Patent Number: **Des. 422,936**

[45] Date of Patent: **** Apr. 18, 2000**

[54] **PLANTER POT**

[76] Inventor: **Yeong-Haw Tsou**, P.O. Box 2206,
Arcadia, Calif. 91077

[**] Term: **14 Years**

[21] Appl. No.: **29/099,256**

[22] Filed: **Jan. 19, 1999**

[51] **LOC (6) Cl.** **11-02**

[52] **U.S. Cl.** **D11/152**

[58] **Field of Search** D11/143-156;
D6/403; 47/65.5, 66.7, 68, 71, 66.2, 66.1,
39, 40, 44; 206/423; 248/27.8

[56] **References Cited**

U.S. PATENT DOCUMENTS

D. 242,161	11/1976	Dziewulki	D11/152
D. 250,401	11/1978	O'Shea et al.	D11/152
D. 296,088	6/1988	Pouliot	D11/155
5,887,384	3/1999	Zaremba	47/65.5

Primary Examiner—Doris V. Coles
Assistant Examiner—Linda Brooks

Attorney, Agent, or Firm—Raymond Y. Chan; David and Raymond

[57] **CLAIM**

The ornamental design for a planter pot, as shown and described.

DESCRIPTION

FIG. 1 is a top view showing my new design.

FIG. 2 is a bottom view thereof.

FIG. 3 is a side, elevational view thereof.

FIG. 4 is the opposite side, elevational view thereof.

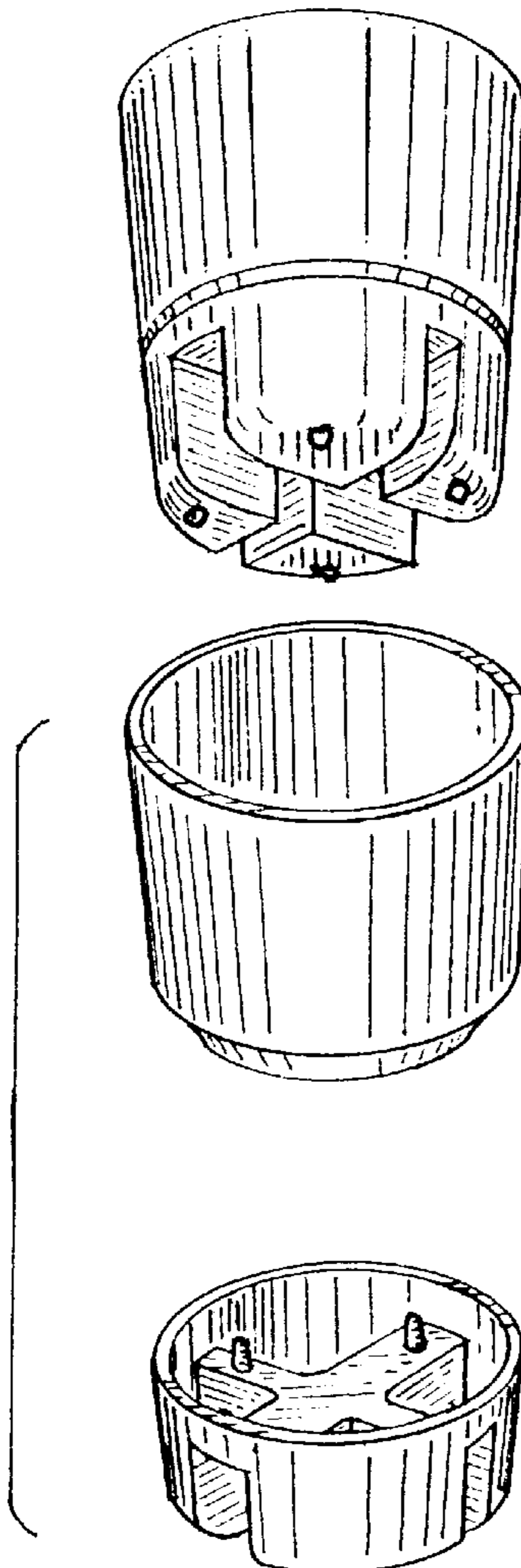
FIG. 5 is a front perspective view thereof on a reduced scale, shown on a vertical board in broken lines for purposes of illustration only and forming no part of the claimed design.

FIG. 6 is a bottom perspective view of FIG. 5; and,

FIG. 7 is an exploded view of FIG. 5, it being understood that the perspective view from the opposite side is identical.

The portions of the article not shown in the drawing or described in the specification form no part of the claimed design.

1 Claim, 2 Drawing Sheets



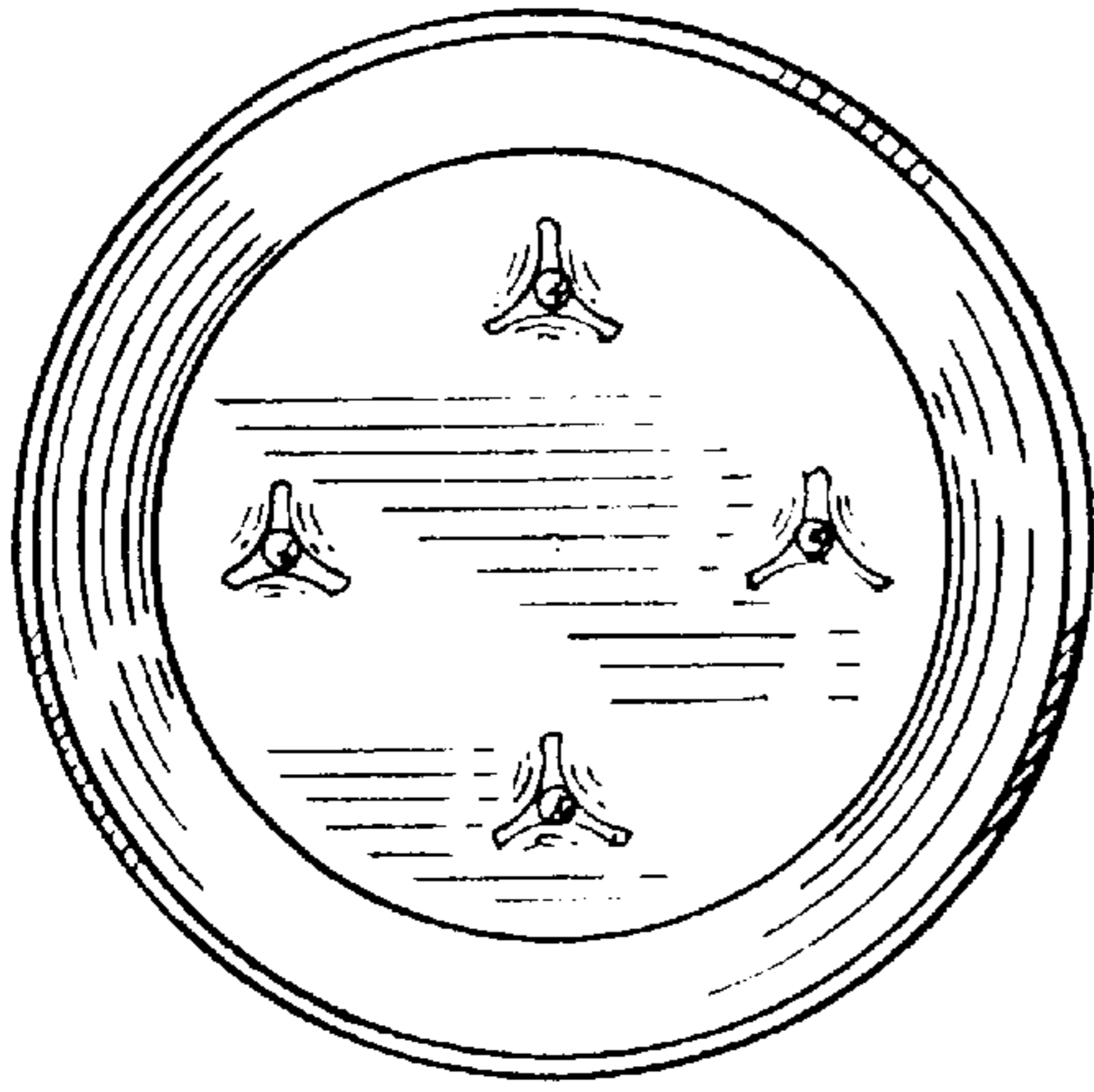


FIG. 1

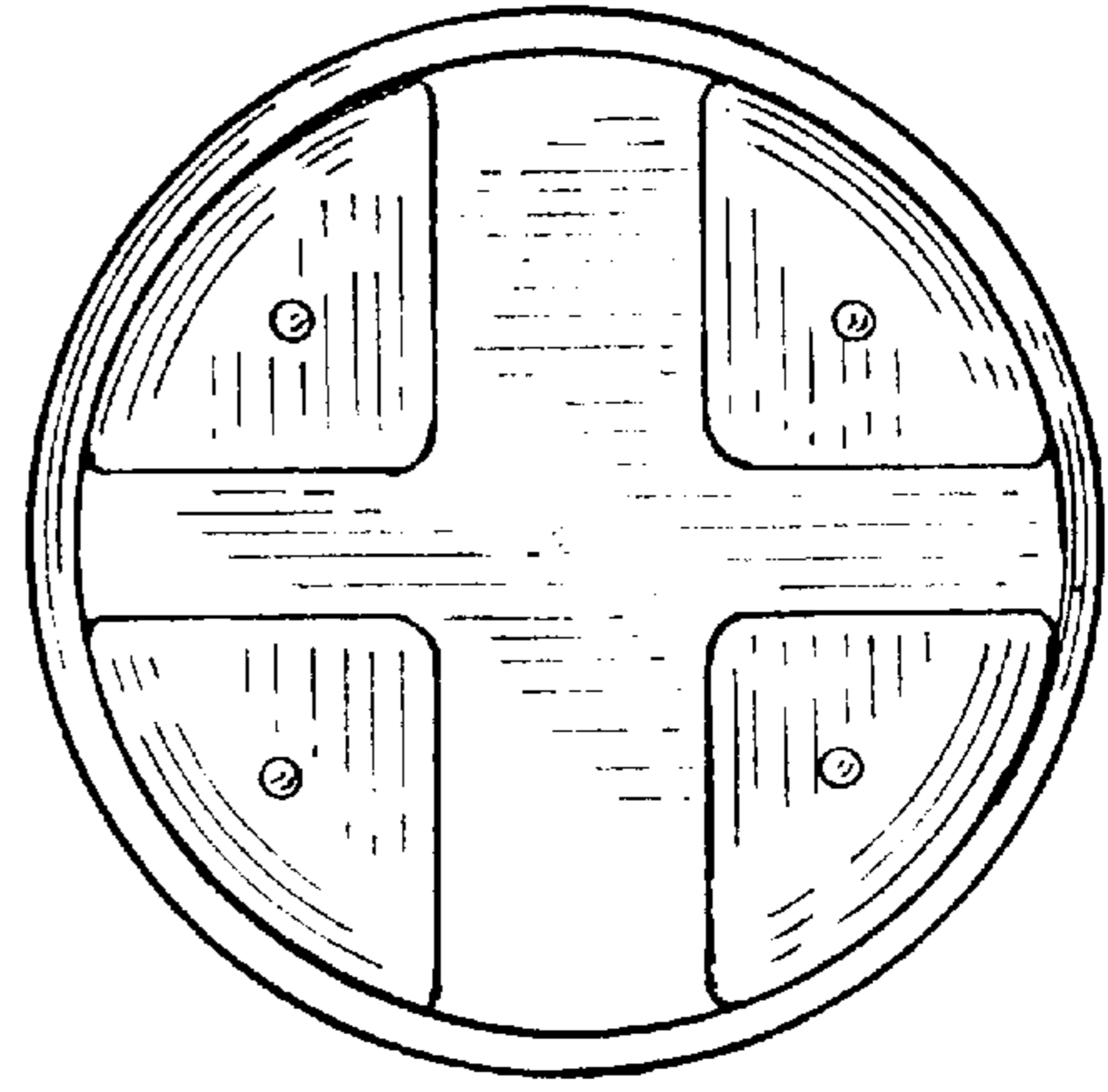


FIG. 2

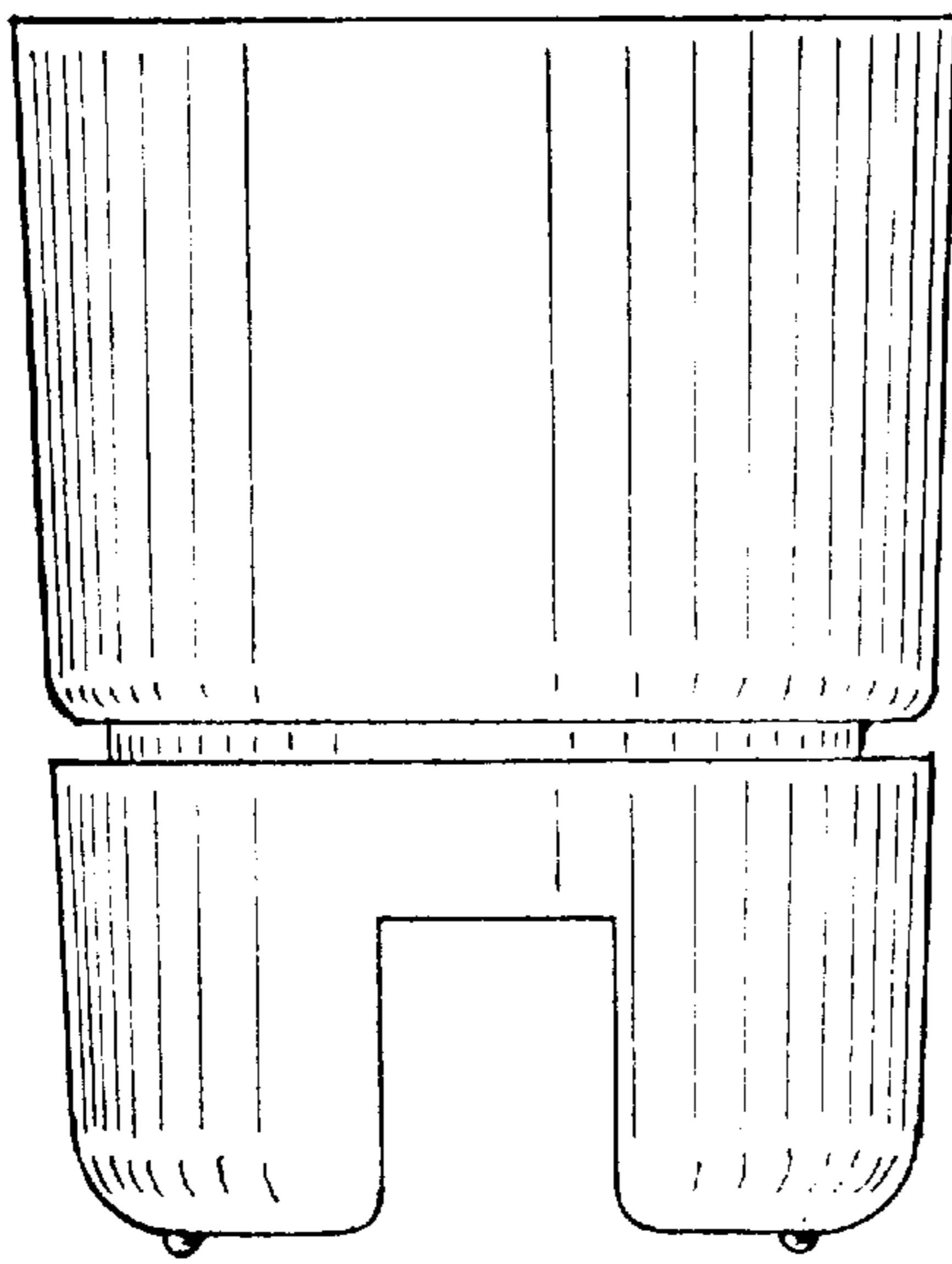


FIG. 3

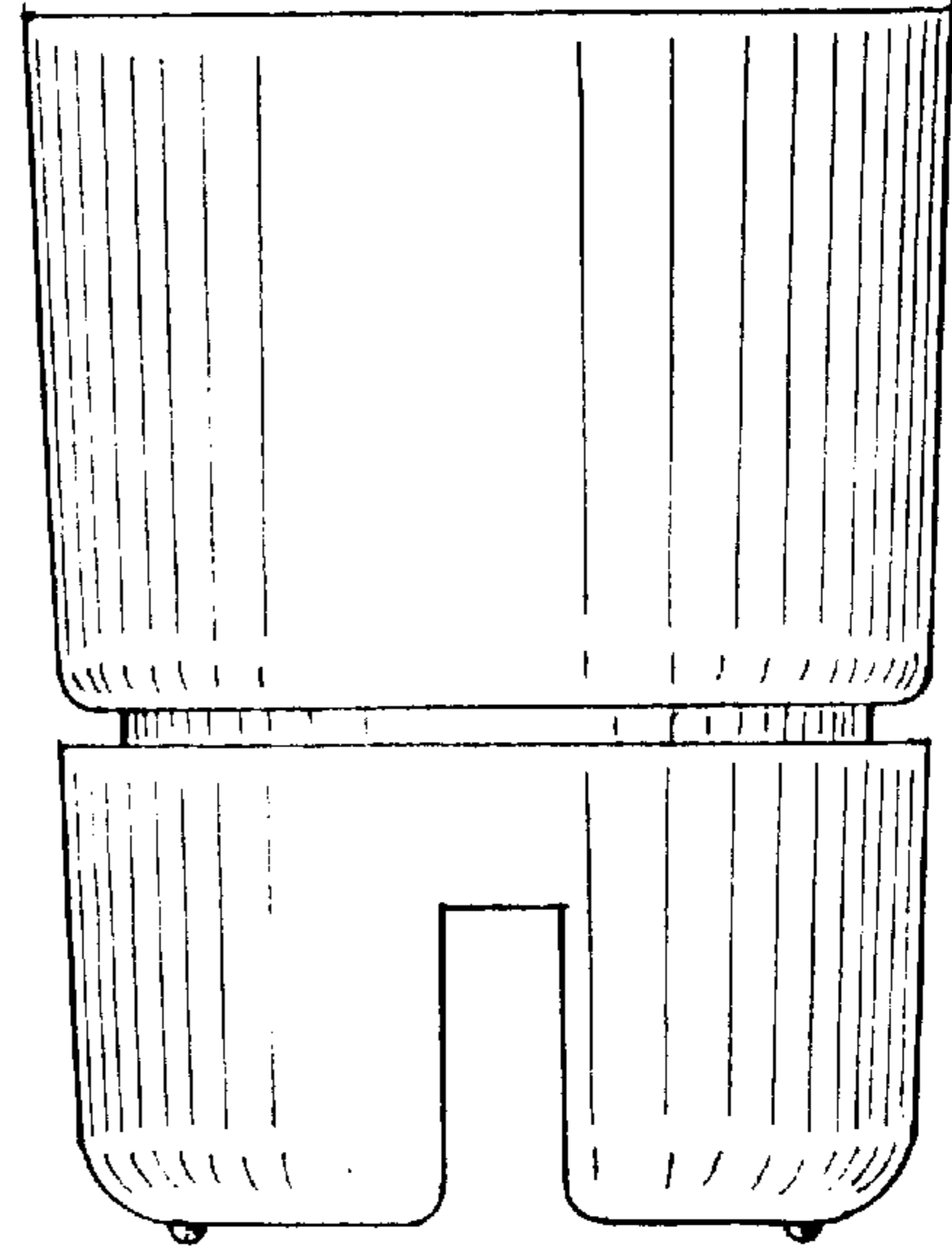


FIG. 4

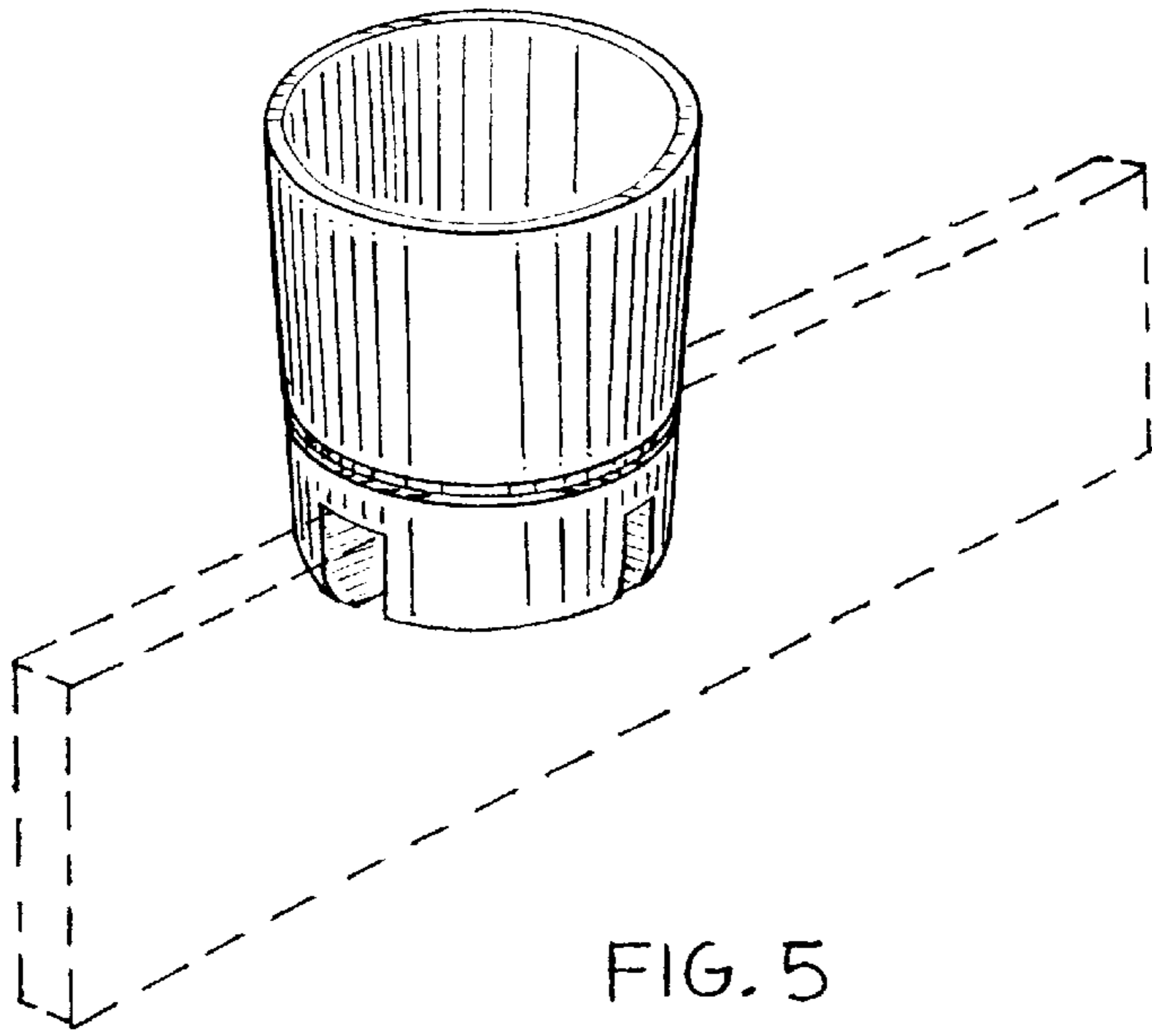


FIG. 5

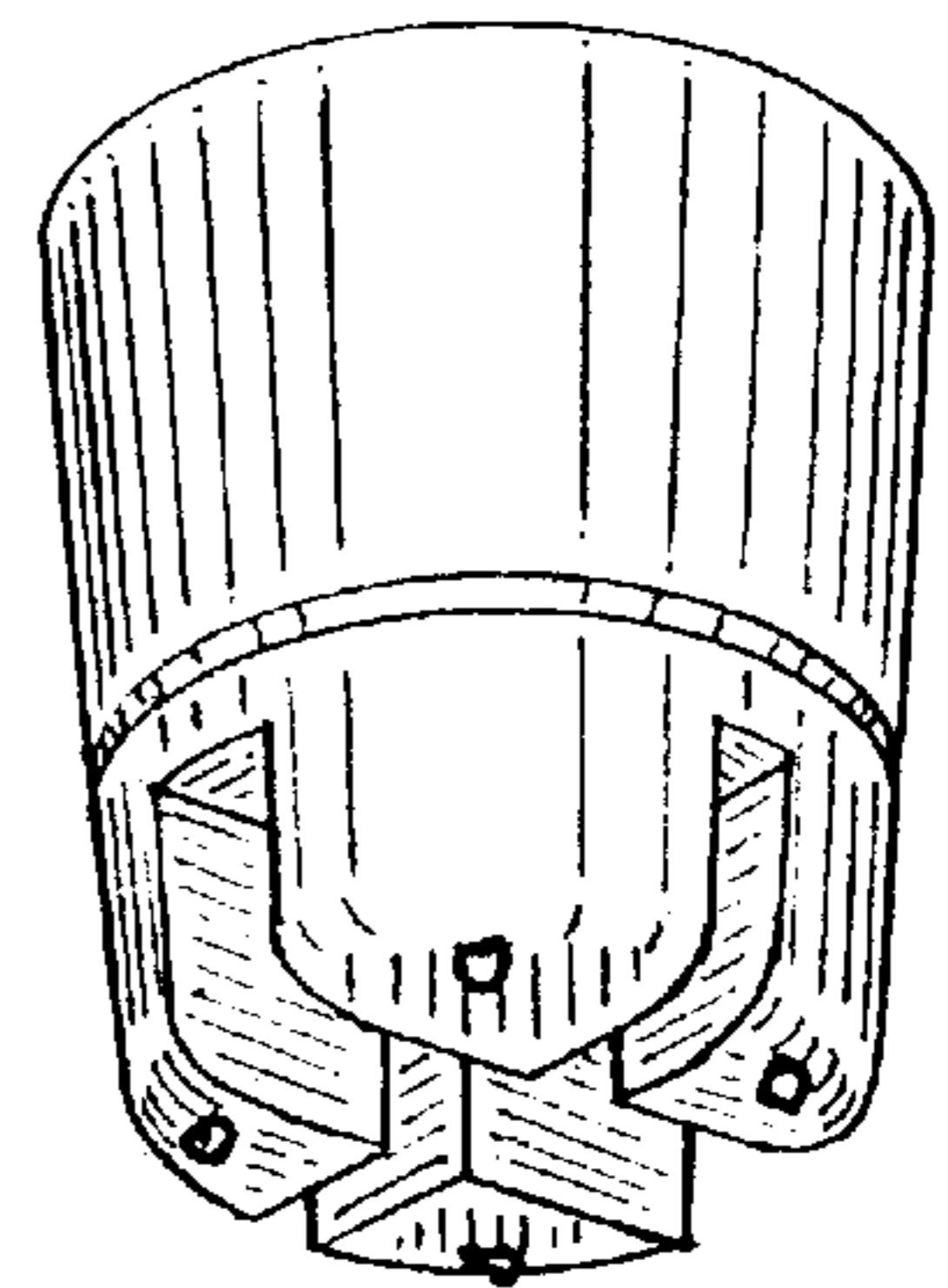


FIG. 6

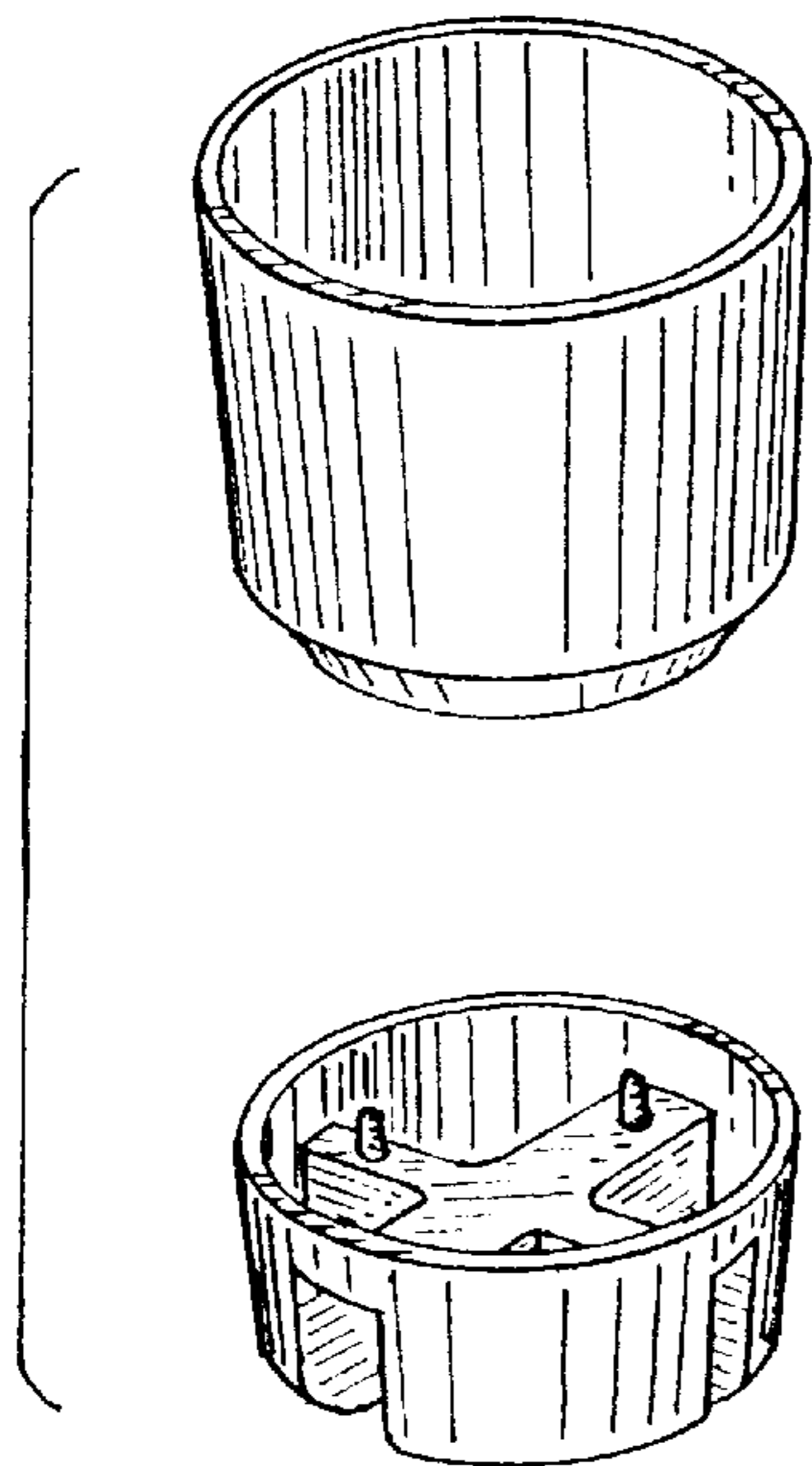


FIG. 7