



US00D422932S

# United States Patent [19]

[11] Patent Number: Des. 422,932

Khieu et al.

[45] Date of Patent: \*\* Apr. 18, 2000

[54] PAVEMENT MARKER

[75] Inventors: **Sithya S. Khieu**, Eden Prairie; **Gregory E. Gilligan**, Hastings, both of Minn.

[73] Assignee: **3M Innovative Properties Company**, St. Paul, Minn.

[\*\*] Term: **14 Years**

[21] Appl. No.: **29/103,951**

[22] Filed: **Apr. 23, 1999**

[51] LOC (6) Cl. .... **10-05**

[52] U.S. Cl. .... **D10/113**

[58] Field of Search ..... D10/111, 113, D10/114; D20/42; 116/63 P, 63 R; 404/6, 9, 10, 12, 13, 14, 15, 16

[56] **References Cited**

**U.S. PATENT DOCUMENTS**

D. 311,704	10/1990	May	.....	D10/113
D. 339,080	9/1993	Gartlacher	.....	D10/113
D. 354,246	1/1995	Weid	.....	D10/113
D. 360,601	7/1995	Weid	.....	D10/113
D. 382,826	8/1997	Sakko	.....	D10/113
D. 386,706	11/1997	Khieu	.....	D10/113
2,666,373	1/1954	Mattson	.....	94/1.5
2,699,982	1/1955	Batterson	.....	94/1.5
3,427,933	2/1969	Taylor-Myers	.....	94/1.5
3,712,706	1/1973	Stamm	.....	350/103
3,717,076	2/1973	Shields et al.	.....	94/1.5
3,758,191	9/1973	Hedgewick	.....	350/103
3,924,929	12/1975	Holmen et al.	.....	350/103
3,971,623	7/1976	Hedgewick et al.	.....	350/103
4,070,095	1/1978	Suhr	.....	350/103
4,232,979	11/1980	Johnson, Jr. et al.	.....	404/16
4,340,319	7/1982	Johnson, Jr. et al.	.....	404/16
4,349,598	9/1982	White	.....	428/161
4,391,948	7/1983	Falk et al.	.....	525/57

4,428,320	1/1984	Oplt et al.	.....	116/63
4,498,733	2/1985	Flanagan	.....	350/102
4,726,706	2/1988	Attar	.....	404/14
4,875,798	10/1989	May	.....	404/12
4,895,428	1/1990	Nelson et al.	.....	350/103
5,078,538	1/1992	Montalbano	.....	404/9
5,226,745	7/1993	Gartlacher	.....	404/14
5,244,946	9/1993	Guest et al.	.....	524/86
5,267,809	12/1993	Allan	.....	404/14
5,340,231	8/1994	Steere et al.	.....	404/14
5,403,115	4/1995	Flader	.....	404/9
5,449,244	9/1995	Sandino	.....	404/14
5,460,115	10/1995	Speer et al.	.....	116/63
5,470,170	11/1995	Lindner	.....	404/9
5,667,335	9/1997	Khieu et al.	.....	404/14

**FOREIGN PATENT DOCUMENTS**

0 171 030	2/1986	European Pat. Off.	.....	E01F 9/06
24 29 640	1/1975	Germany	.....	E01F 9/04
1028832	5/1966	United Kingdom	.....	E01F 9/06
2 279 681	1/1995	United Kingdom	.....	E01F 9/06
WO 95/00709	1/1995	WIPO	.....	E01F 9/06

*Primary Examiner*—Marcus A. Jackson  
*Attorney, Agent, or Firm*—Peter L. Olson

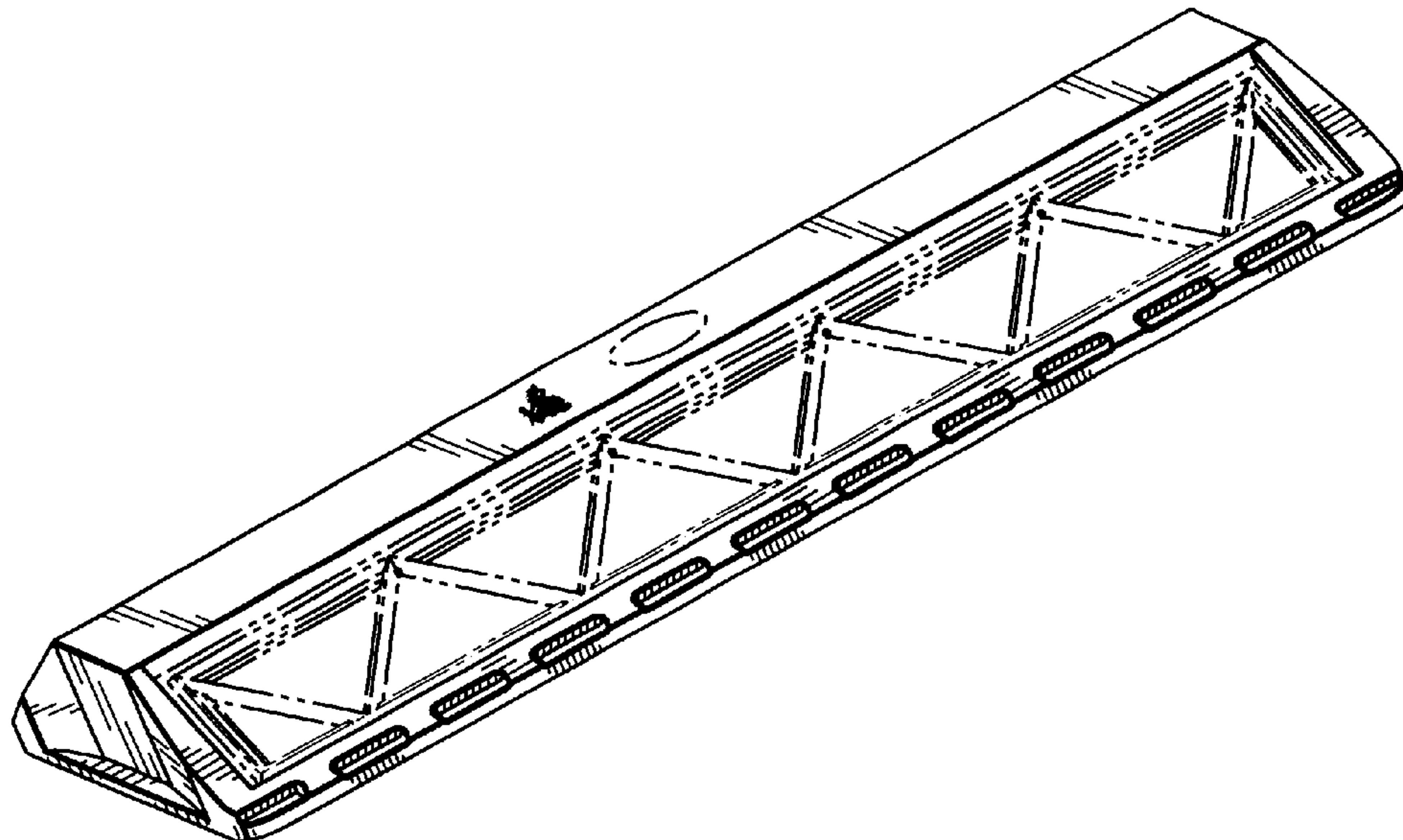
[57] **CLAIM**

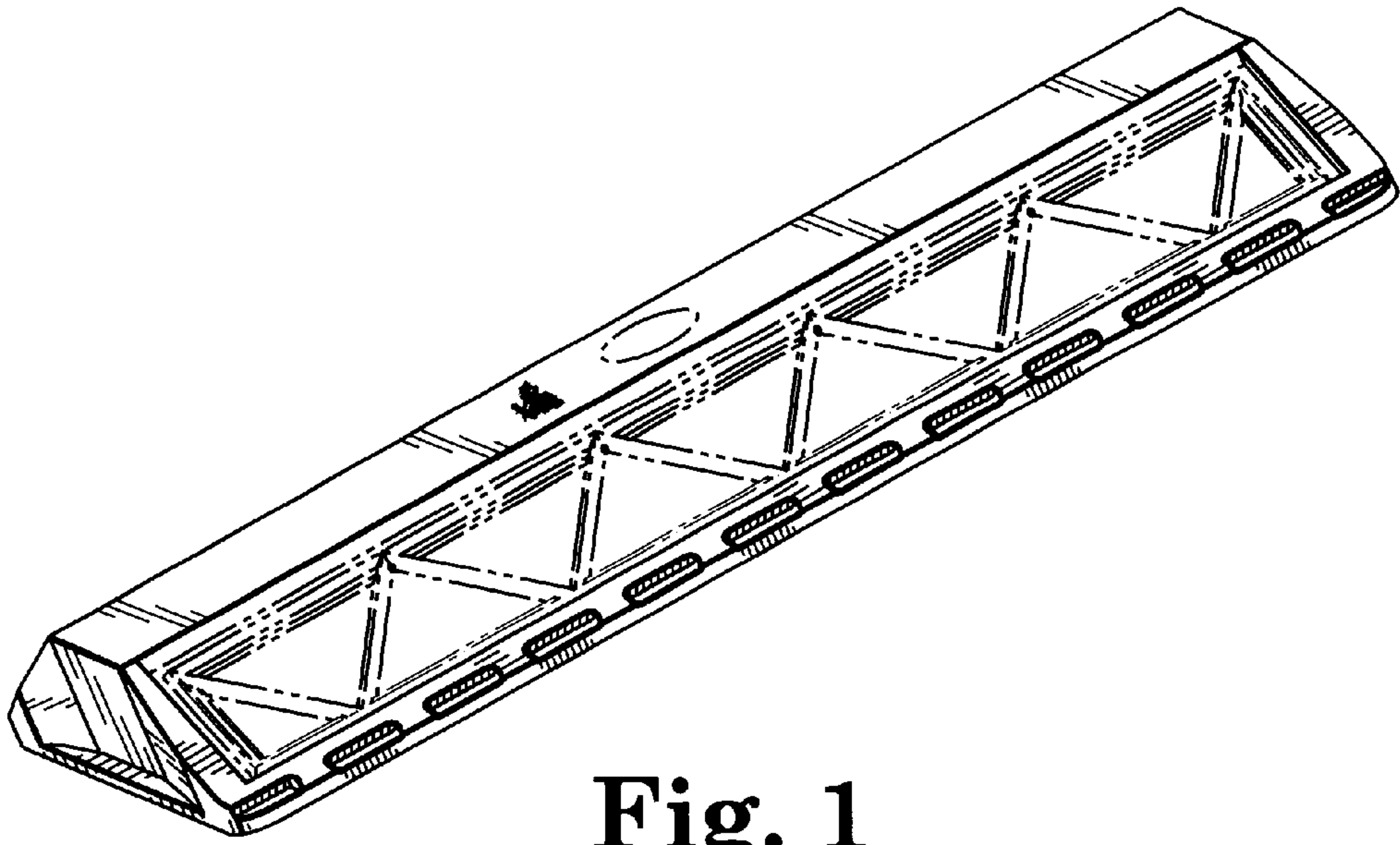
The ornamental design for a pavement marker, as shown and described.

**DESCRIPTION**

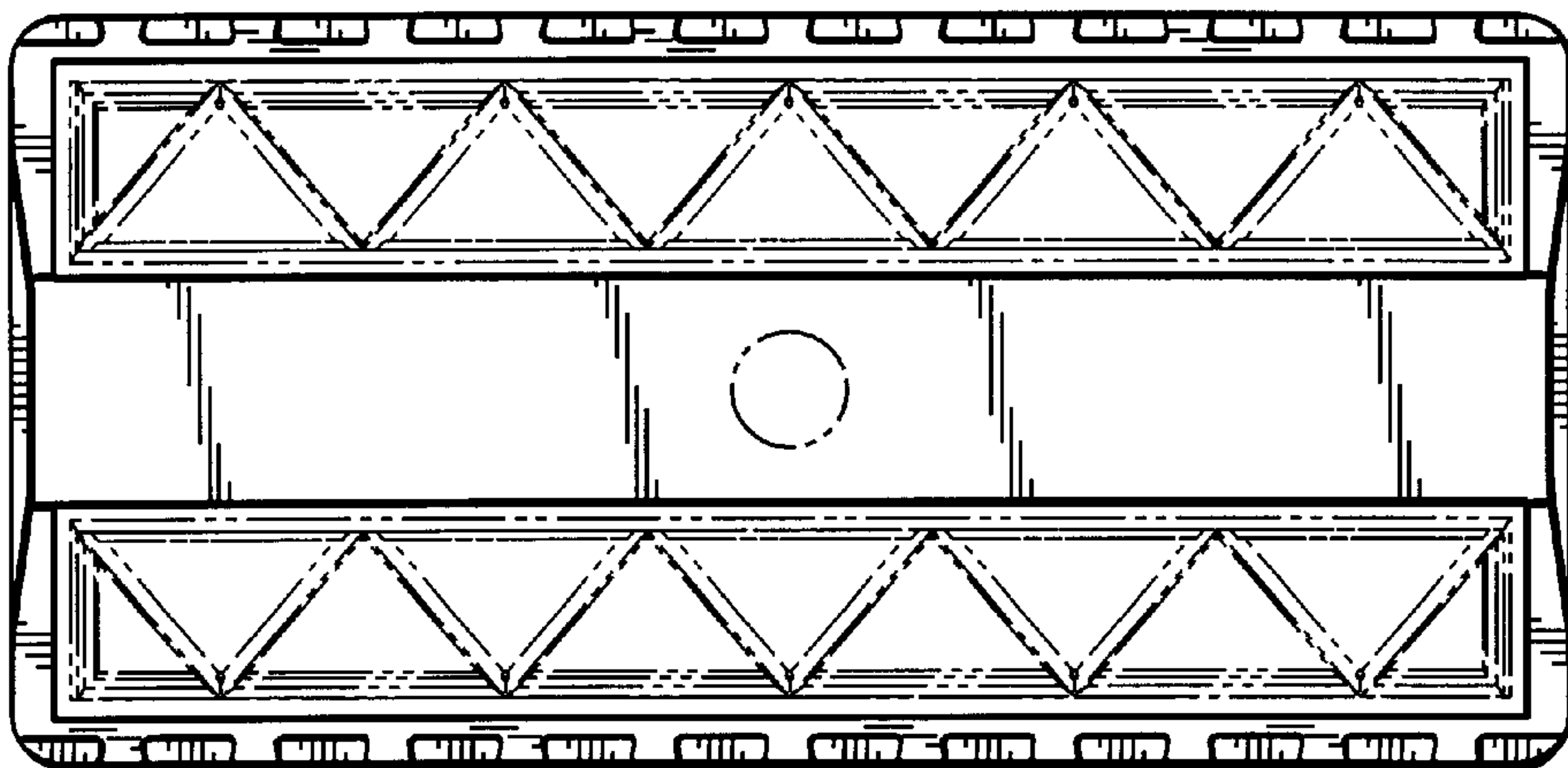
FIG. 1 is a perspective view of a pavement marker showing our new design;  
FIG. 2 is a top plan view thereof;  
FIG. 3 is a bottom elevational view thereof;  
FIG. 4 is a front elevational view thereof, the rear elevational view being the same; and,  
FIG. 5 is a left side elevational view thereof, the right side elevational view being the same.

**1 Claim, 2 Drawing Sheets**

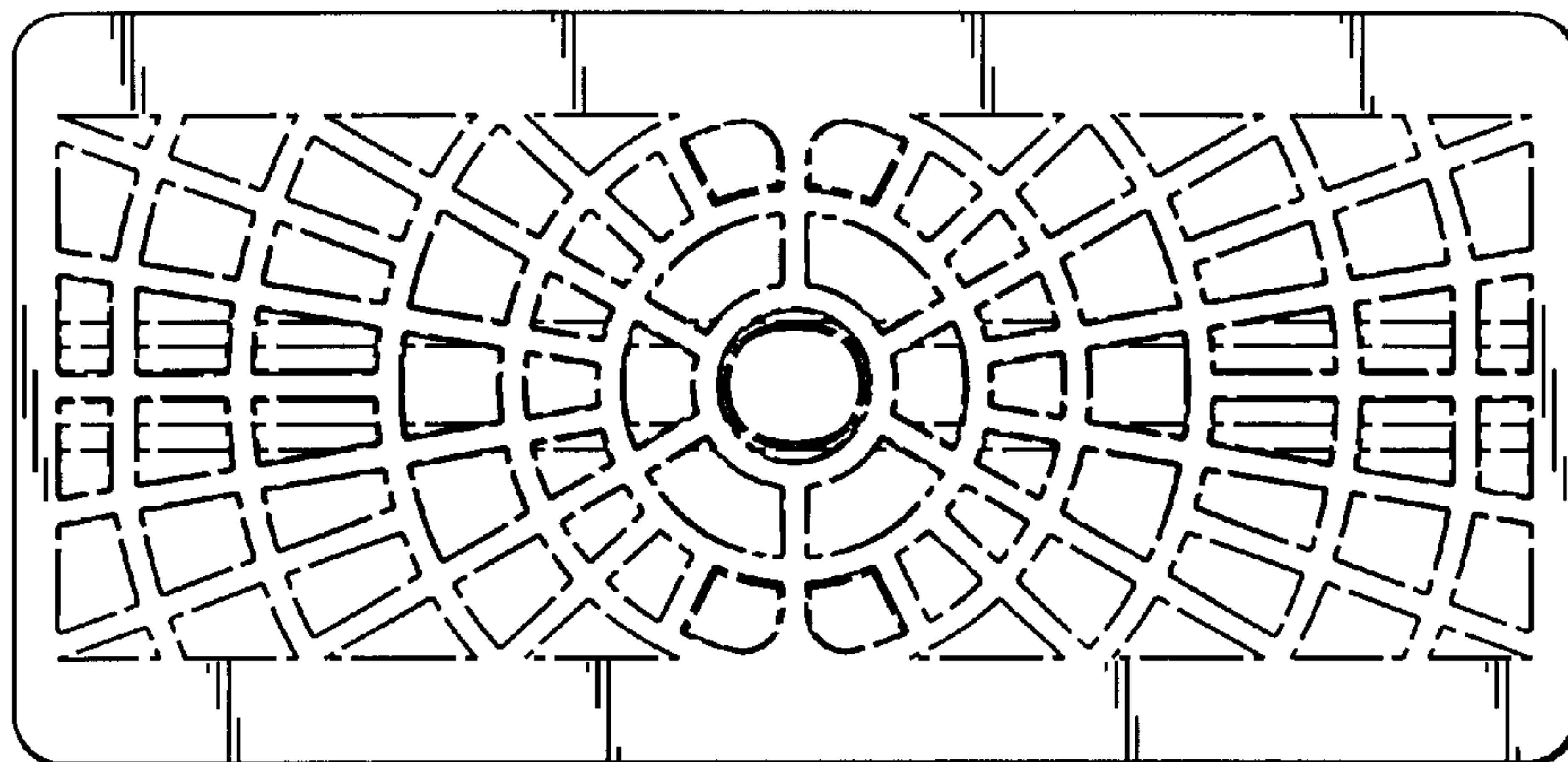




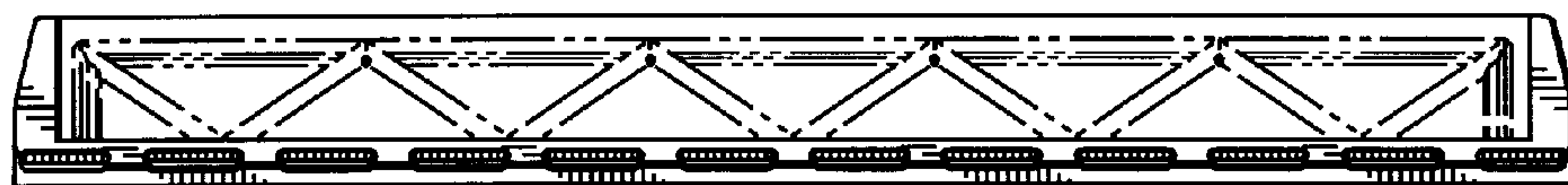
**Fig. 1**



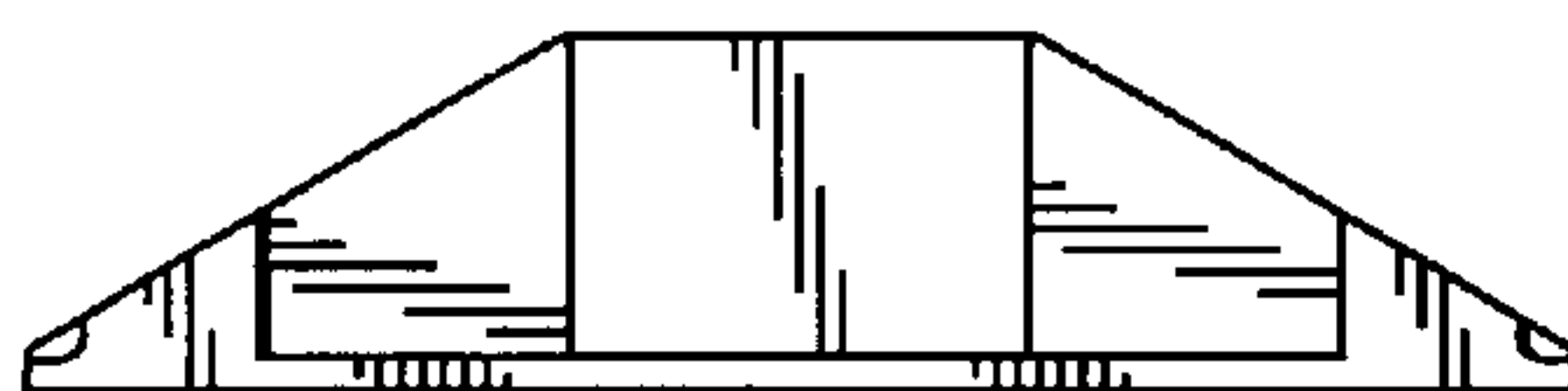
**Fig. 2**



**Fig. 3**



**Fig. 4**



**Fig. 5**