



US00D422931S

# United States Patent [19]

Agnew

[11] Patent Number: Des. 422,931

[45] Date of Patent: \*\* Apr. 18, 2000

[54] REFLECTIVE FABRIC BELT SAFETY HARNESS

[76] Inventor: Oscar B. Agnew, 6807 Kirkwood St., Richmond, Va. 23228

[\*\*] Term: 14 Years

[21] Appl. No.: 29/110,349

[22] Filed: Sep. 7, 1999

[51] LOC (6) Cl. .... 10-05

[52] U.S. Cl. .... D10/111

[58] Field of Search ..... D10/109, 111, D10/121; 116/35 R, 63 R, 63 P, 200; D2/27, 190; 404/9, 10; 350/98

[56] **References Cited**

U.S. PATENT DOCUMENTS

D. 211,076	5/1968	Speridon	.....	D10/109
D. 277,808	3/1985	Nichols	.....	D10/111
D. 375,612	11/1996	Elder	.....	D10/111
D. 382,670	8/1997	Fluehr	.....	D3/48

D. 387,499	12/1997	Schmidt	.....	D29/101
5,289,896	3/1994	Giglio	.....	182/3
5,333,768	8/1994	Krentz	.....	224/215
5,477,998	12/1995	Reckler	.....	224/151
5,624,065	4/1997	Steffe	.....	224/625

Primary Examiner—Marcus A. Jackson  
Attorney, Agent, or Firm—Norman B. Rainer

[57] **CLAIM**

The ornamental design for a reflective fabric belt safety harness, as shown and described.

**DESCRIPTION**

FIG. 1 is a front, side and top perspective view of a reflective fabric belt safety harness showing my new design; FIG. 2 is a front view thereof; FIG. 3 is a side view thereof, the unshown opposite side being of identical appearance; FIG. 4 is a top plan view thereof; FIG. 5 is a rear view thereof; and, FIG. 6 is a bottom view thereof.

1 Claim, 3 Drawing Sheets

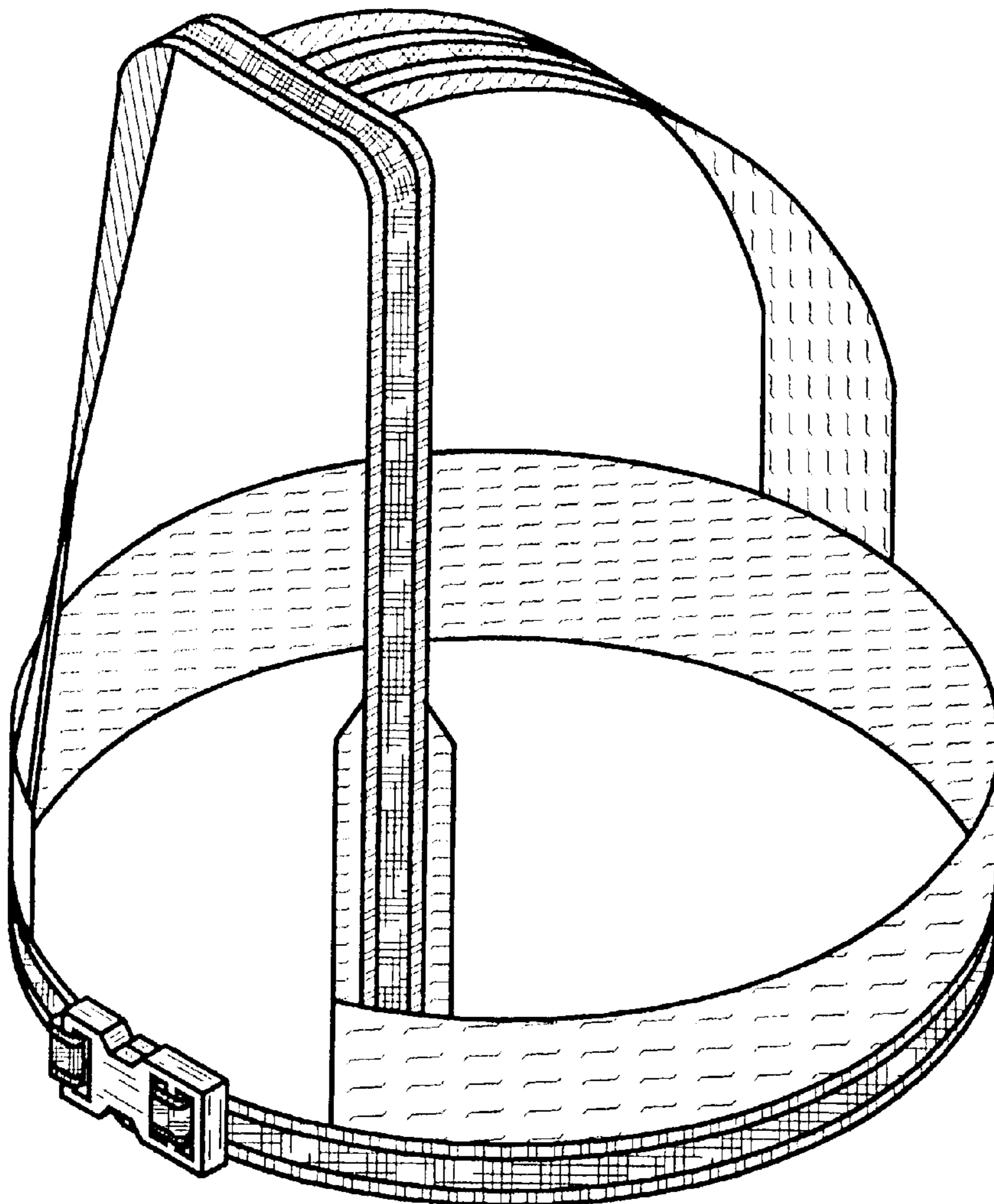


Fig.1

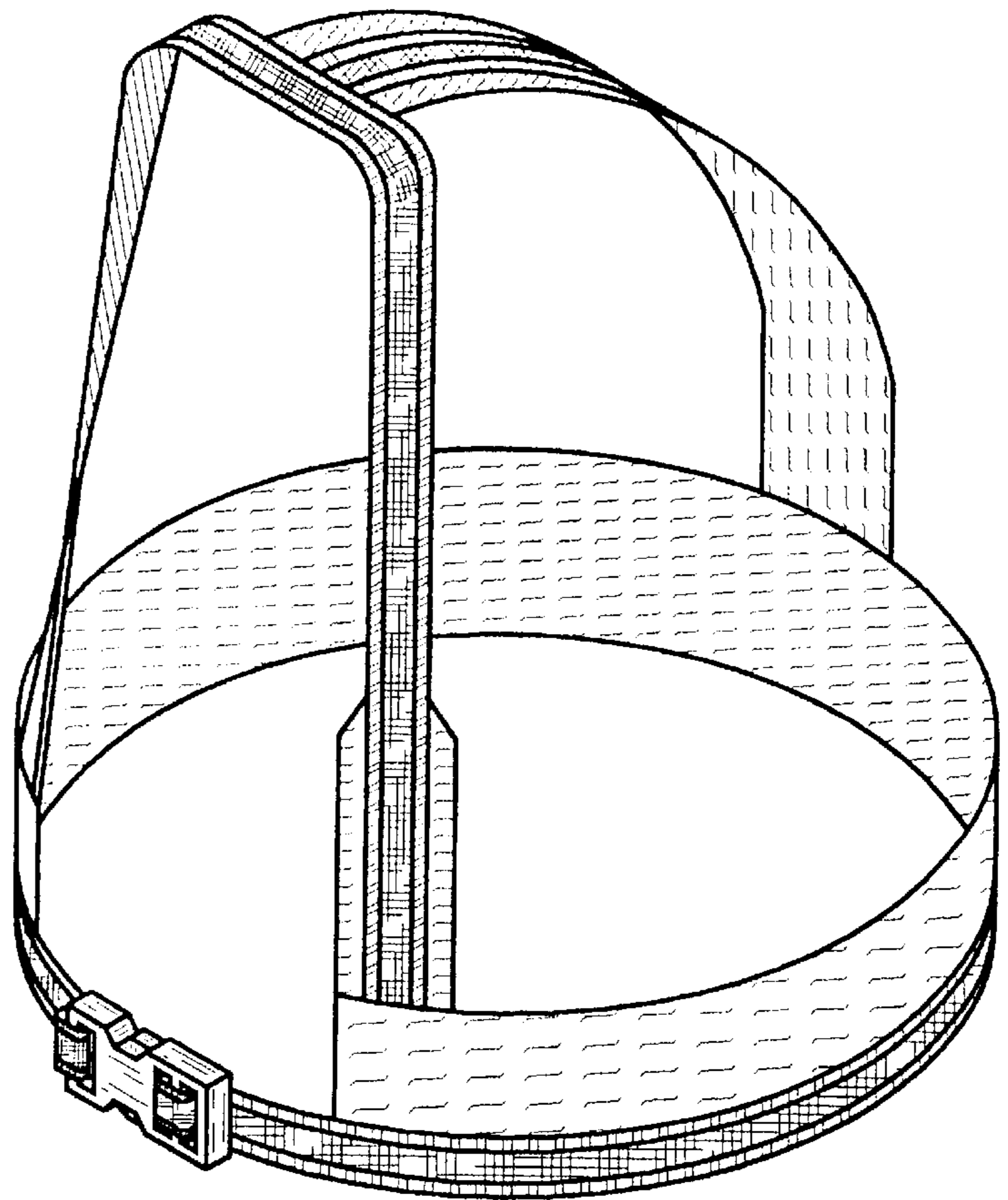
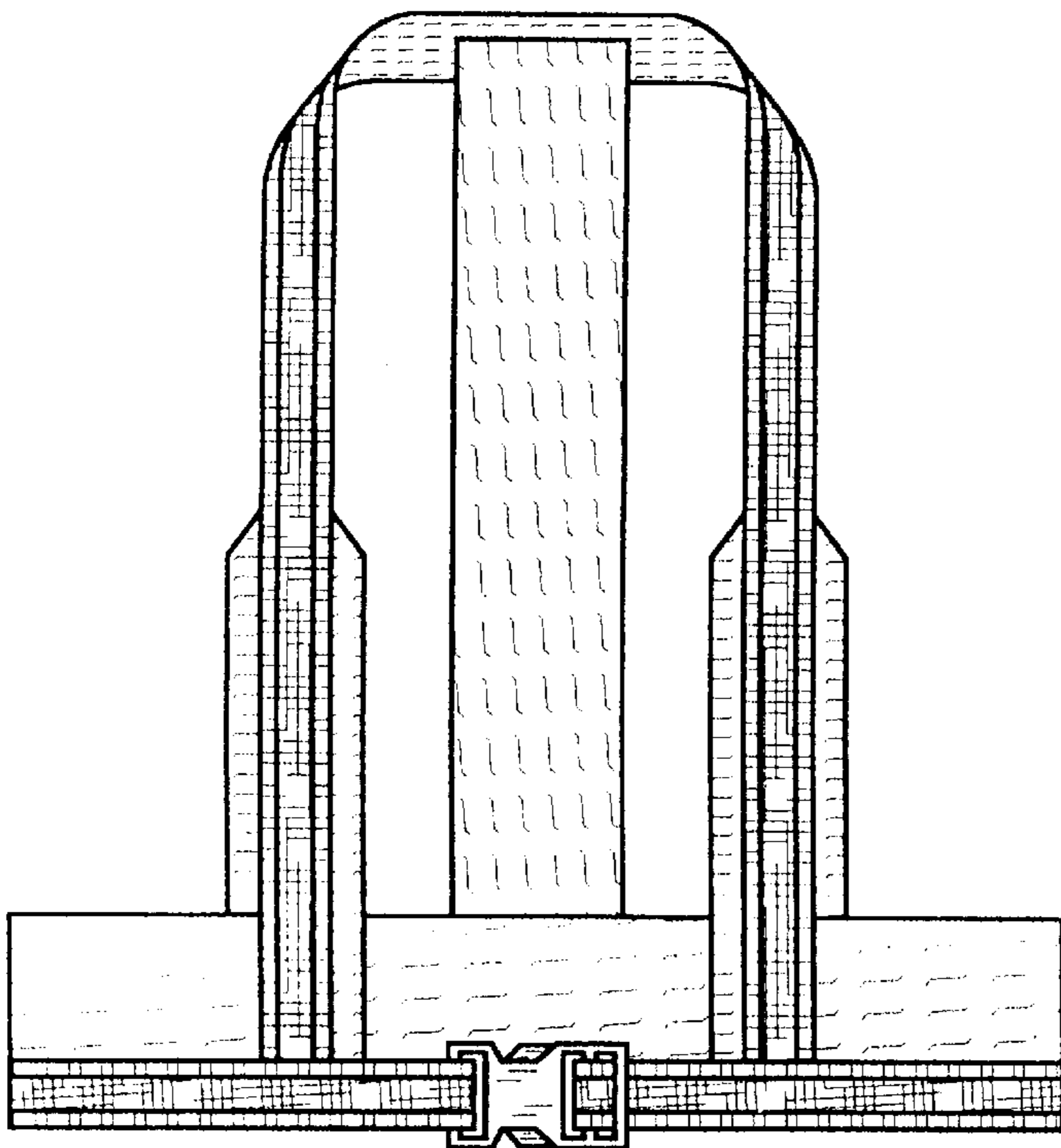


FIG. 2



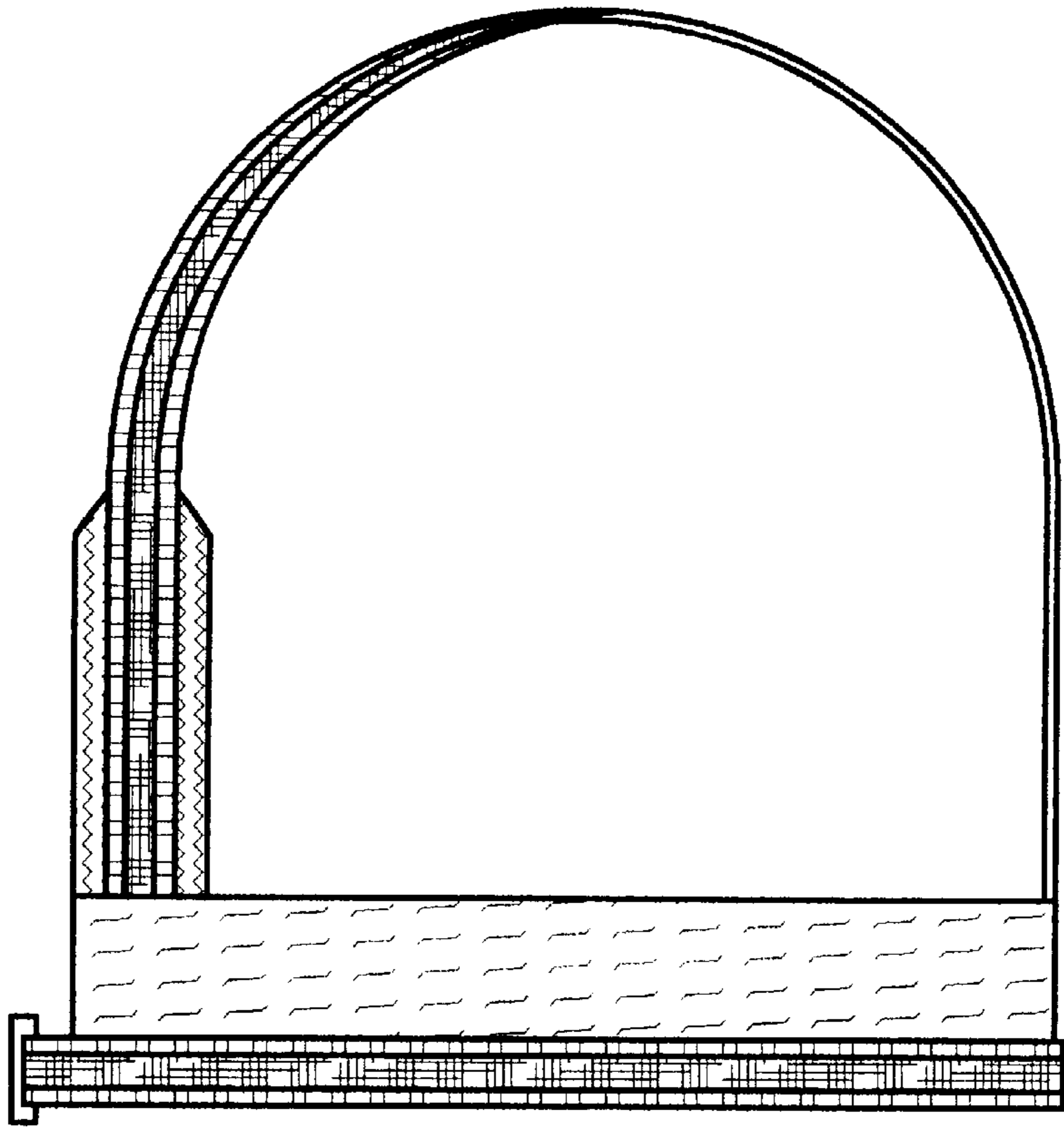


Fig.3

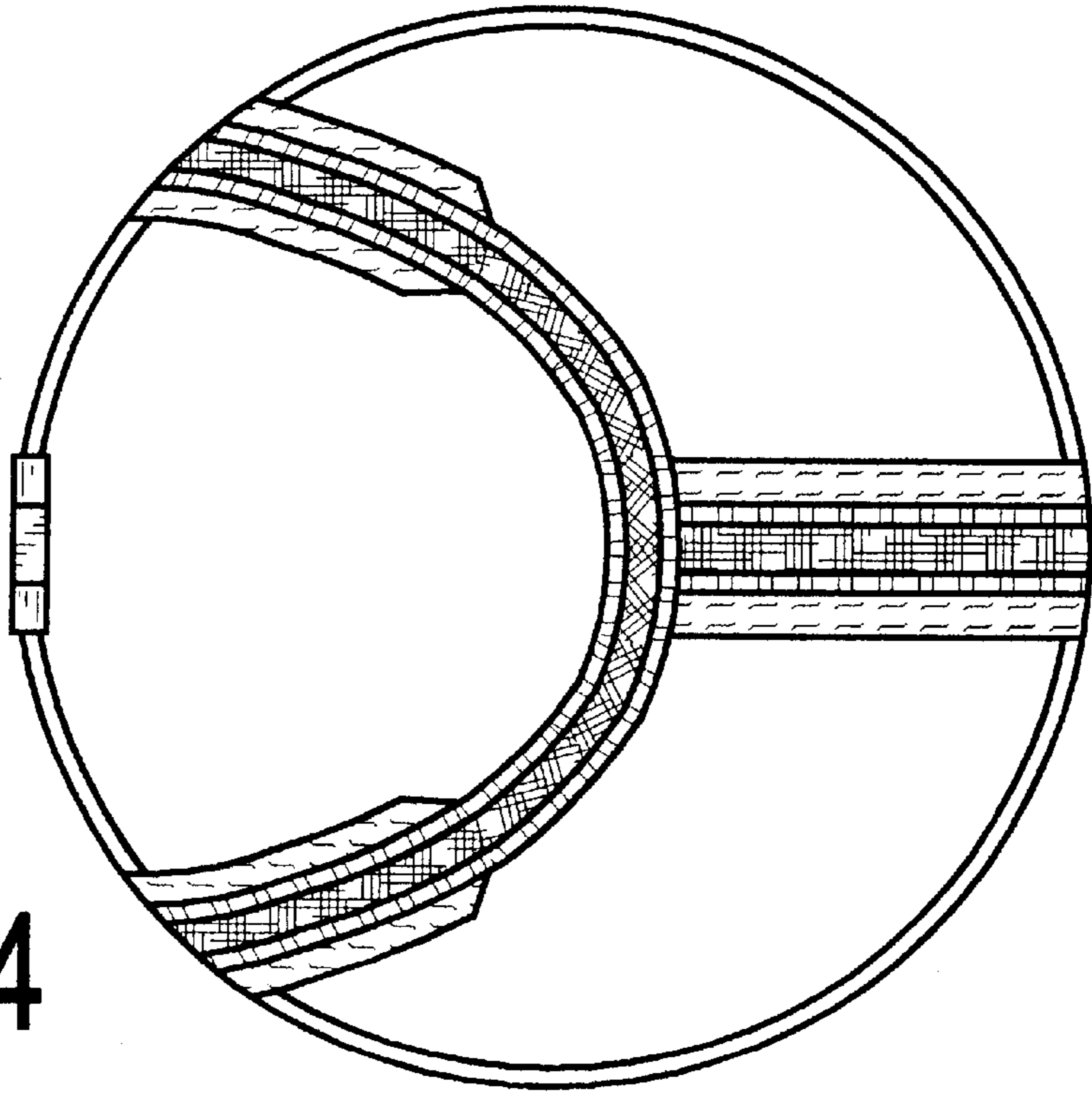


Fig.4

Fig.5

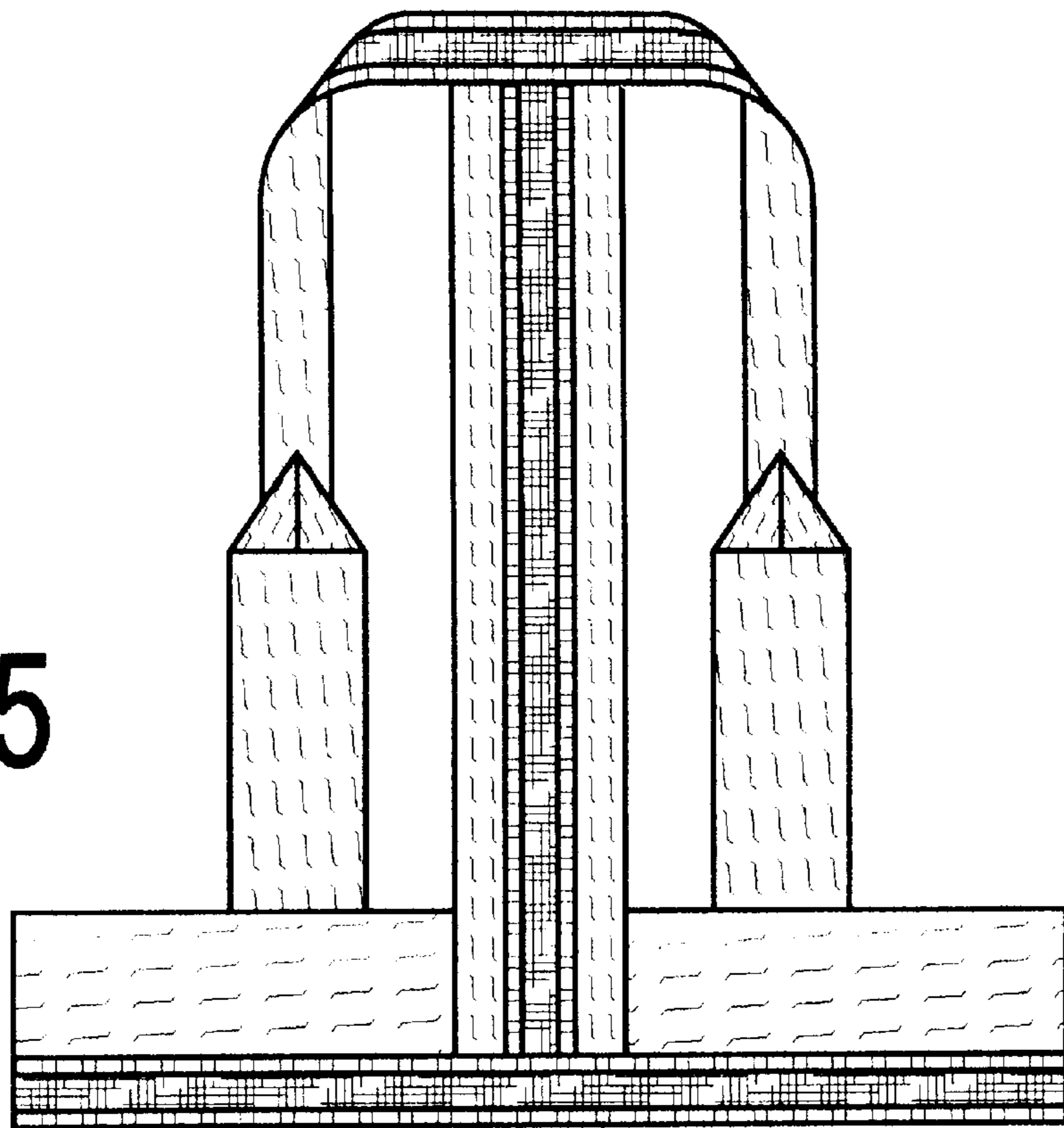


Fig.6

