



US00D422930S

United States Patent [19]
Kalich

[11] **Patent Number: Des. 422,930**

[45] **Date of Patent: ** Apr. 18, 2000**

[54] **HOUSING FOR A TORNADO WARNING SIGNAL**

D. 392,573 3/1998 Repp et al. D10/106
D. 395,614 6/1998 Denoon-Stevens D10/106
D. 399,157 10/1998 Hsu et al. D10/106

[76] Inventor: **John Lockwood Kalich**, 8011 S. Stoney Creek, Carleton, Mich. 48117

Primary Examiner—Marcus A. Jackson

[**] Term: **14 Years**

[57] **CLAIM**

[21] Appl. No.: **29/088,497**

The ornamental design for the housing for a tornado warning signal, as shown and described.

[22] Filed: **May 26, 1998**

DESCRIPTION

[51] **LOC (6) Cl.** **10-05**

[52] **U.S. Cl.** **D10/106**

[58] **Field of Search** D10/104, 106, D10/116, 121; 340/571, 572, 573, 628, 629, 630, 695

FIG. 1 is a back view of a housing for a tornado warning signal showing my new design;

FIG. 2 is a perspective view of a housing for a tornado warning signal;

FIG. 3 is a left plan view of the housing for a tornado warning signal, with the opposite sides being a mirror image; and,

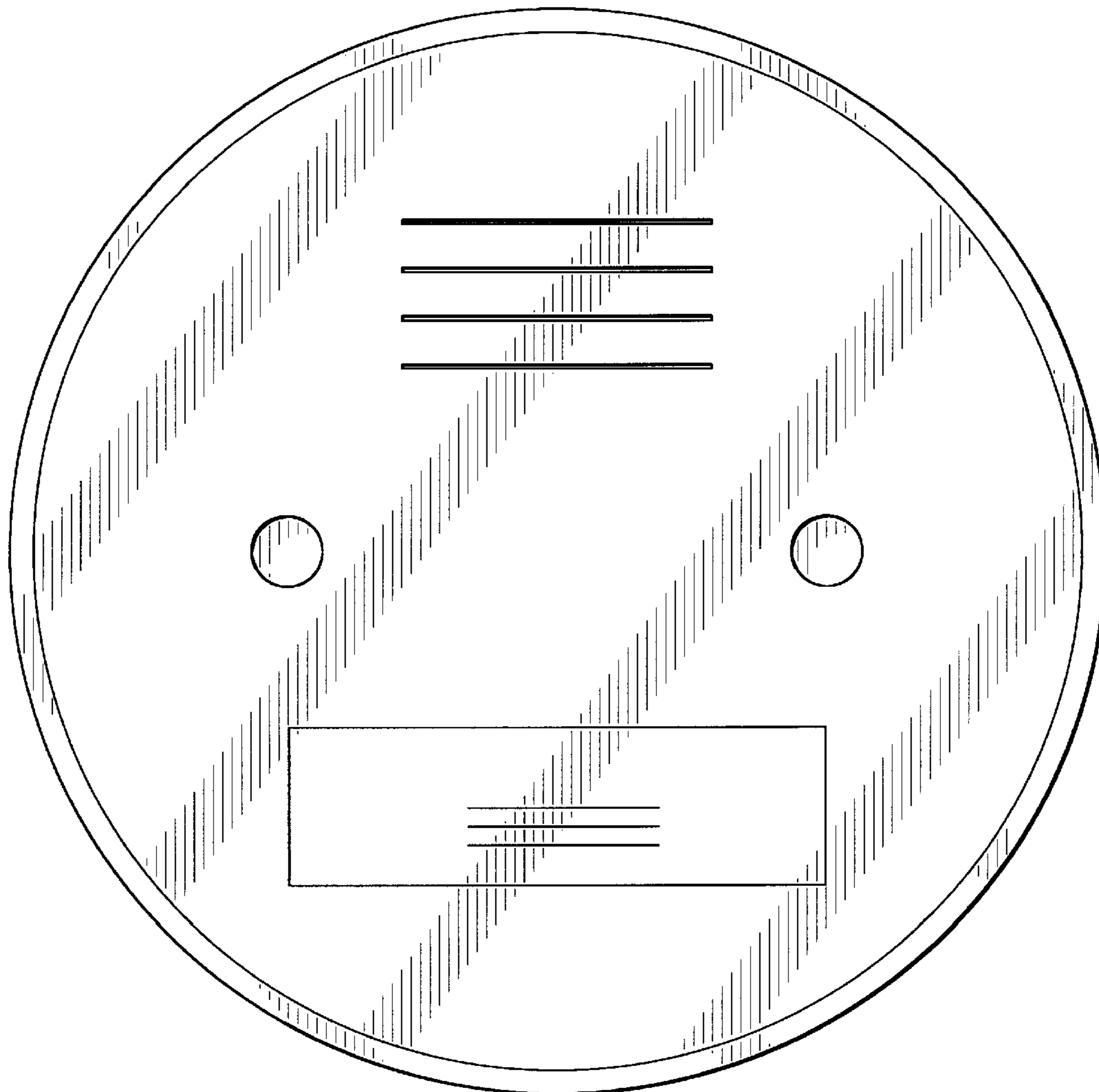
FIG. 4 is a top plan view of the housing for a tornado warning signal of FIG. 1.

[56] **References Cited**

U.S. PATENT DOCUMENTS

D. 387,297 12/1997 Kawabata D10/106
D. 391,185 2/1998 Tomizawa D10/106
D. 391,511 3/1998 Kadono D10/106

1 Claim, 4 Drawing Sheets



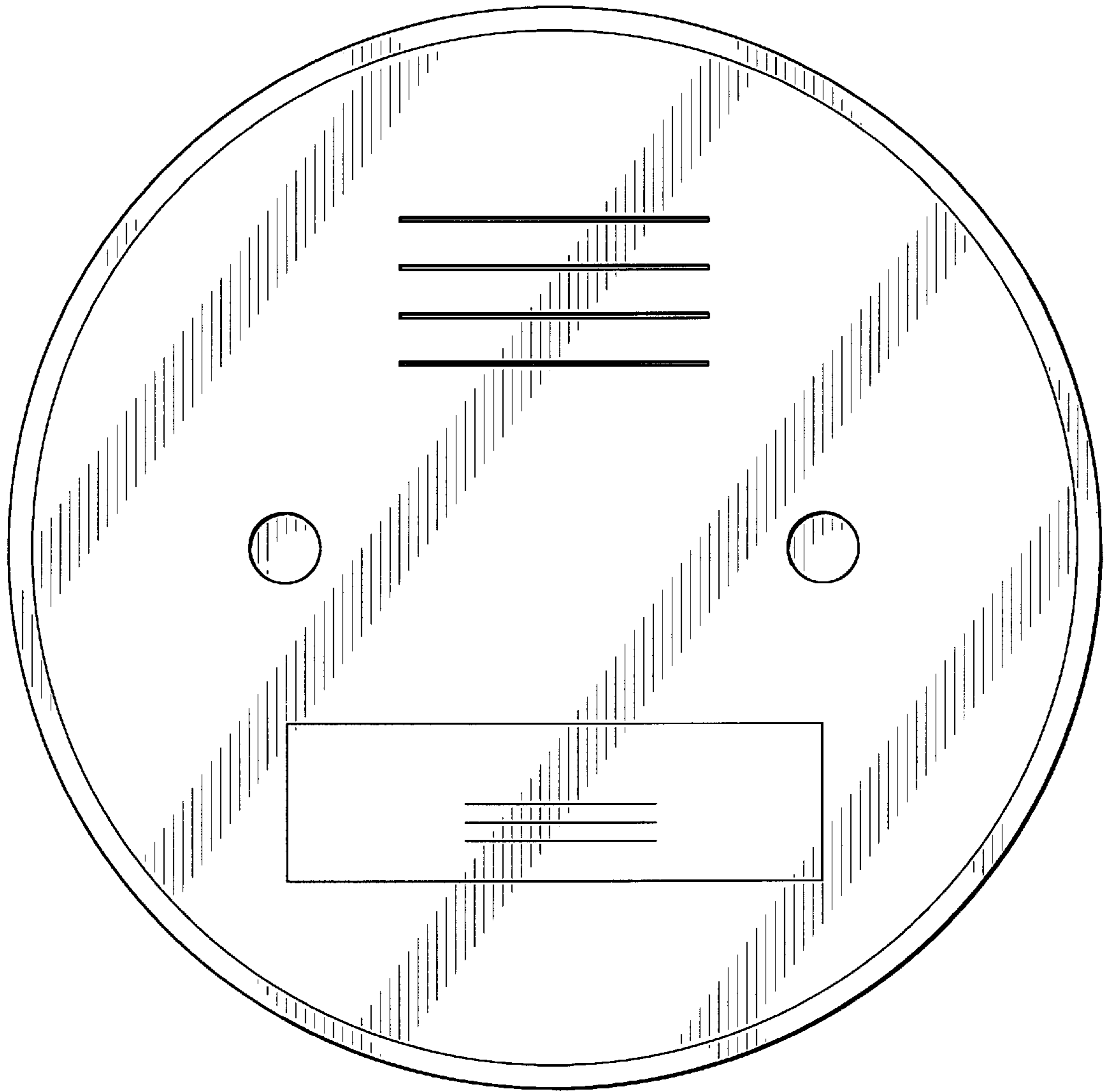


FIG. 1

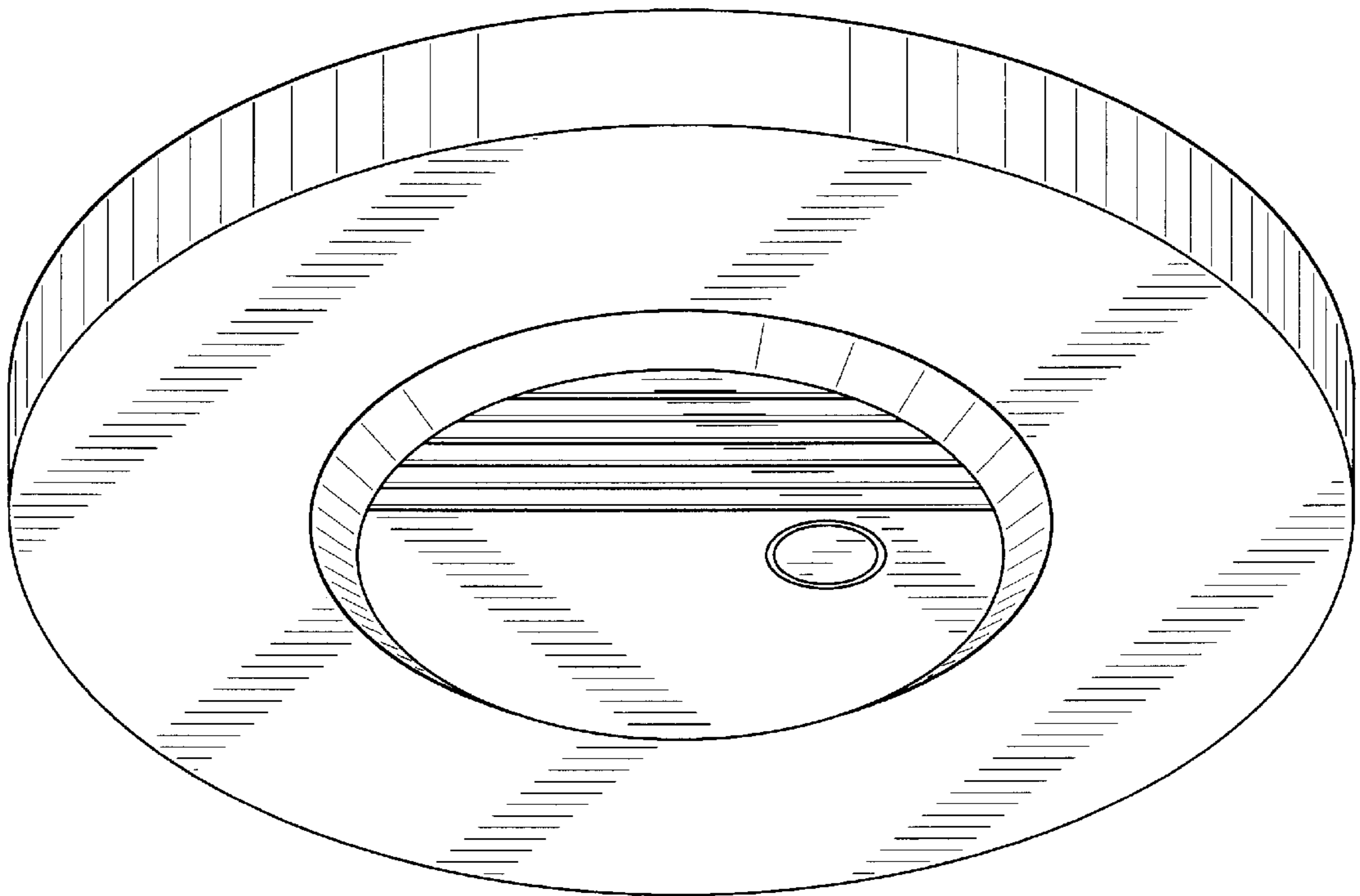


FIG. 2

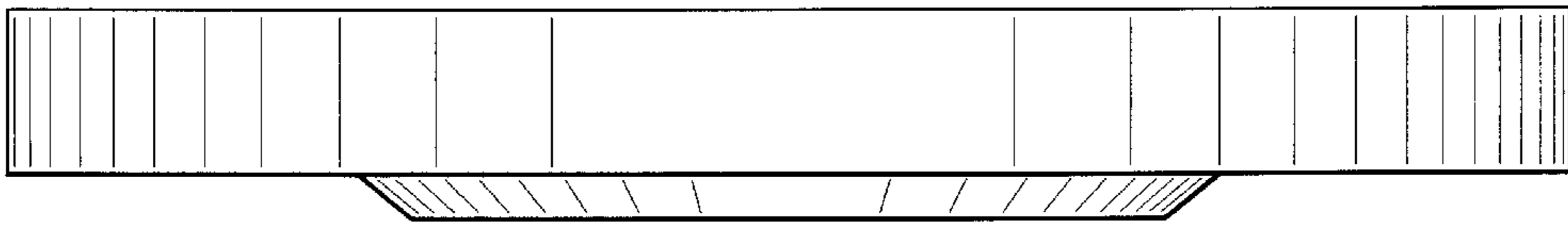


FIG. 3

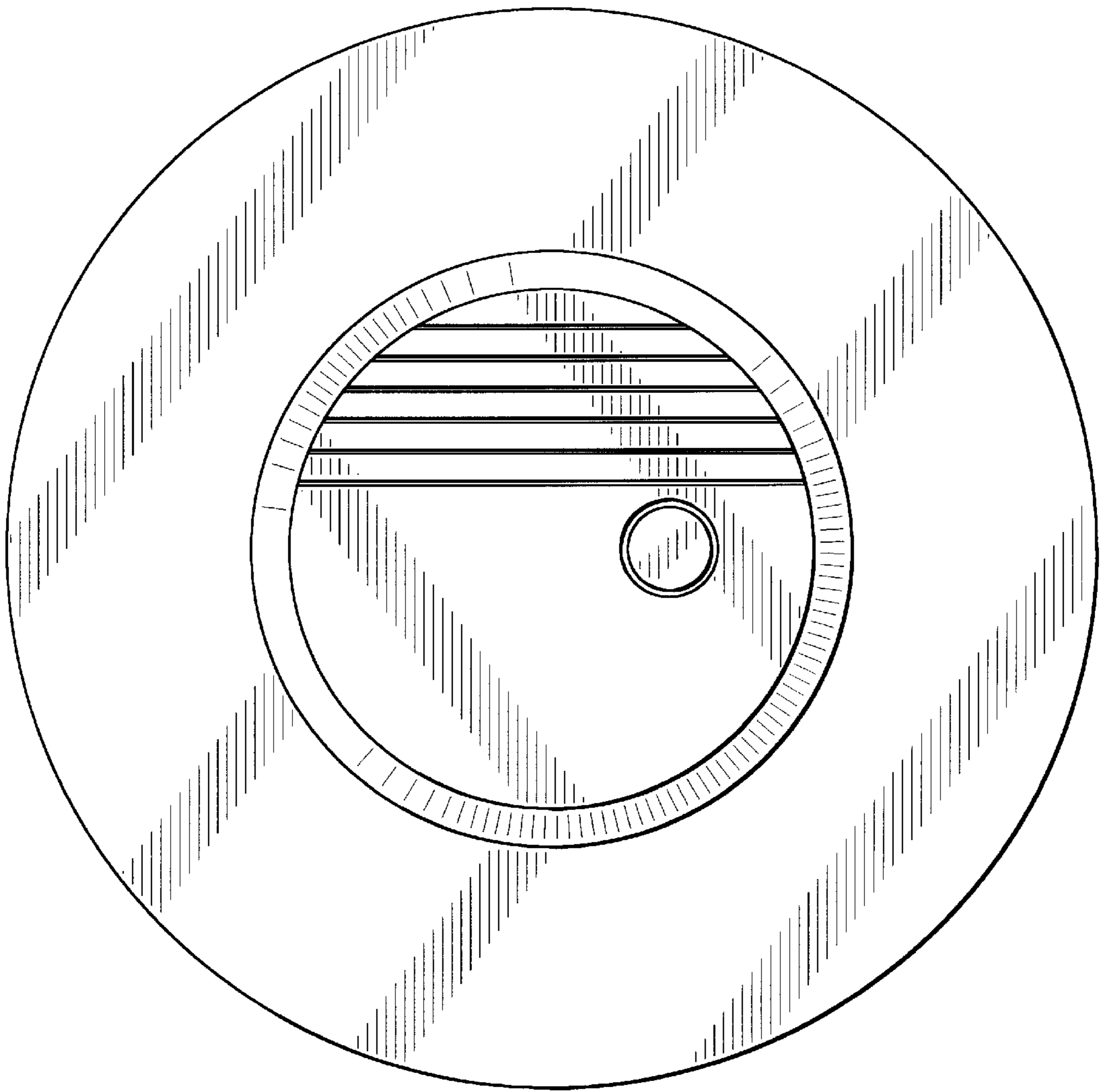


FIG. 4