



US00D422929S

United States Patent [19]

Zabawski et al.

[11] Patent Number: Des. 422,929

[45] Date of Patent: ** Apr. 18, 2000

[54] HOUSING FOR A PLURALITY OF EMITTERS FOR DETECTORS

[75] Inventors: **Henrick A. Zabawski**, Arlington Heights; **Robert R. Kornowski**, Schaumburg; **Chong S. Kim**, Naperville; **Chris L. Tsakiridis**, Chicago; **Daniel R. Schroeder**, Carol Stream; **Matthew A. Stahl**, Des Plaines, all of Ill.

[73] Assignee: **Lumex, Inc.**, Palatine, Ill.

[**] Term: **14 Years**

[21] Appl. No.: **29/073,804**

[22] Filed: **Jul. 17, 1997**

[51] LOC (6) Cl. **10-05**

[52] U.S. Cl. **D10/106**

[58] Field of Search D10/104, 106, D10/116, 121; 340/521, 540, 541, 545, 55, 556, 557, 565, 571, 572, 628, 629, 630; D26/1, 2, 3, 4; 362/226, 235, 236, 237, 240, 800, 307

[56] References Cited

U.S. PATENT DOCUMENTS

Re. 34,254	5/1993	Dragoon .	
D. 383,078	9/1997	Carmi	D10/106
D. 388,722	1/1998	Wilson	D10/106
D. 398,872	9/1998	Jan	D10/106
D. 399,156	10/1998	Thiband	D10/106
D. 403,260	12/1998	Chu	D10/106

D. 404,670	1/1999	Jackson et al.	D10/106
4,935,856	6/1990	Dragoon .	
5,327,328	7/1994	Simms et al. .	
5,349,504	9/1994	Simms et al. .	

OTHER PUBLICATIONS

PRISM™ CMB™, SMD Circuit Board Indicators, Dialight Catalog, May 1994, Dialight, 1913 Atlantic Ave., Manasquan, New Jersey 08736.

Primary Examiner—Marcus A. Jackson
Attorney, Agent, or Firm—Pauley Petersen Kinne & Fejer

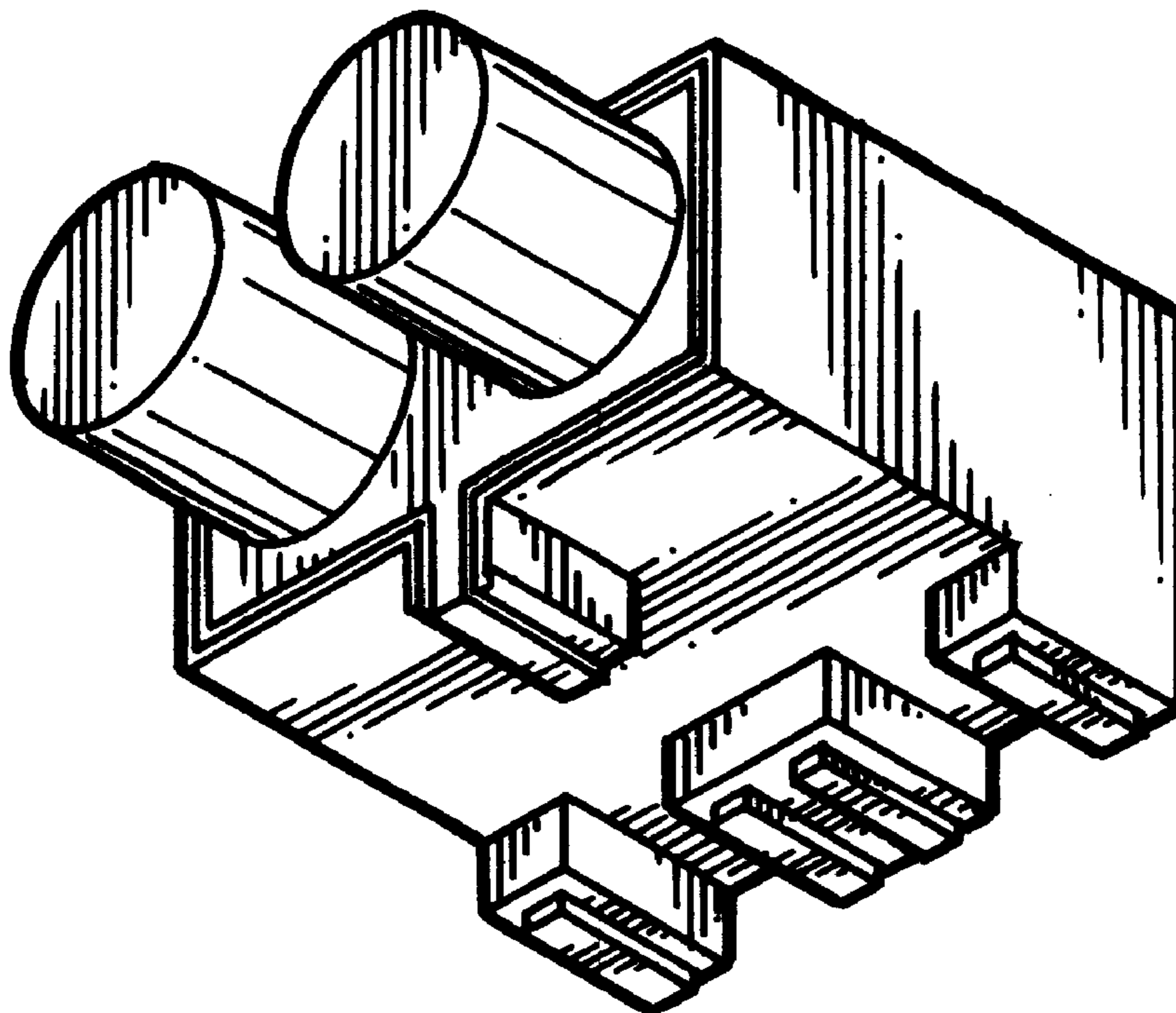
[57] CLAIM

The ornamental design of a housing for a plurality of emitters for detectors, as shown.

DESCRIPTION

FIG. 1 is a front perspective view of a housing for a plurality of emitters for detectors;
FIG. 2 is a front view of a housing for a plurality of emitters for detectors, as shown in FIG. 1;
FIG. 3 is a rear view of a housing for a plurality of emitters for detectors, as shown in FIG. 1;
FIG. 4 is a side view of a housing for a plurality of emitters for detectors, as shown in FIG. 1;
FIG. 5 is a side view, opposite the side view shown in FIG. 4, of a housing for a plurality of emitters for detectors, as shown in FIG. 1;
FIG. 6 is a top view of a housing for a plurality of emitters for detectors, as shown in FIG. 1; and,
FIG. 7 is a bottom view of a housing for a plurality of emitters for detectors, as shown in FIG. 1.

1 Claim, 3 Drawing Sheets



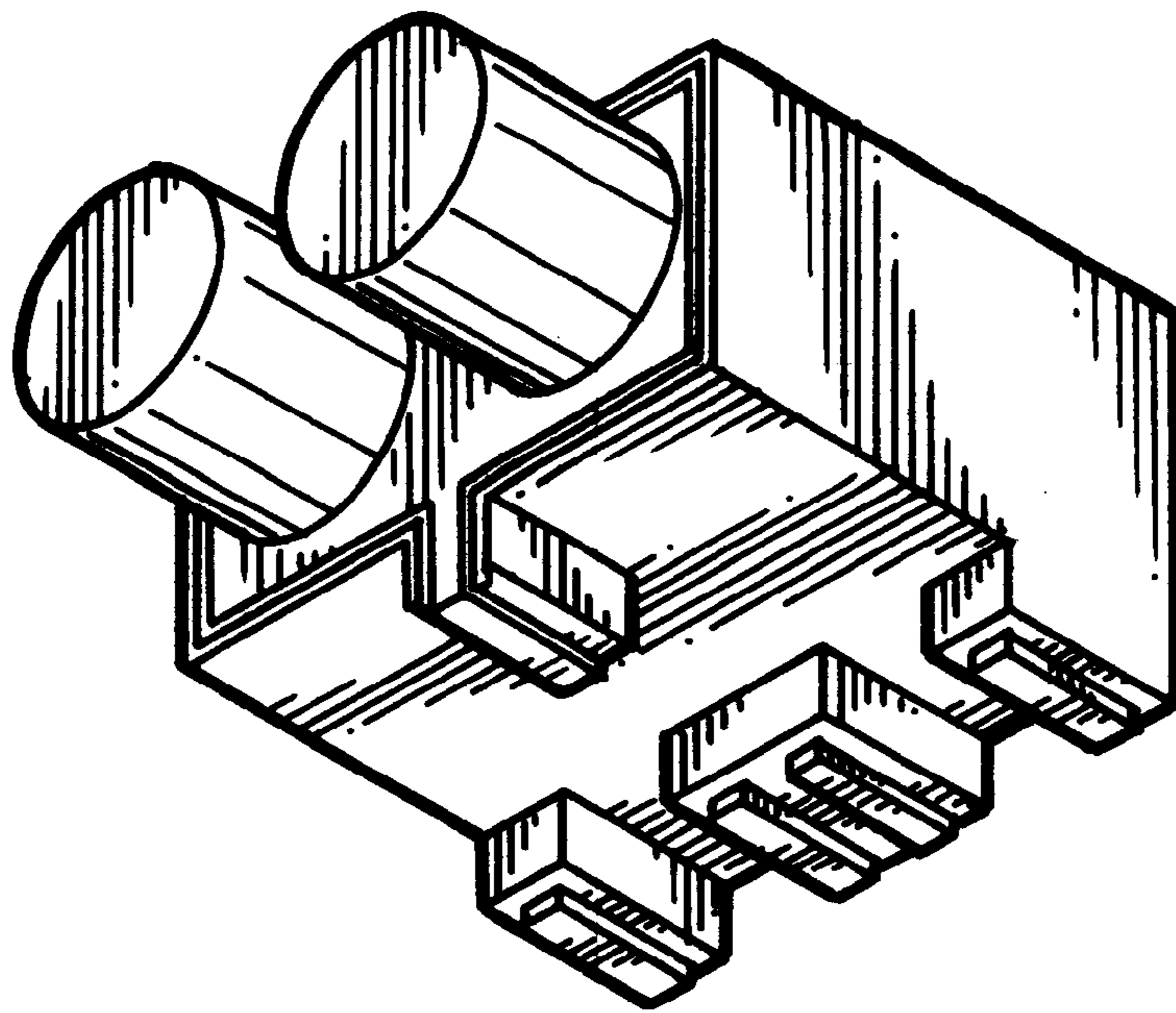


FIG. 1

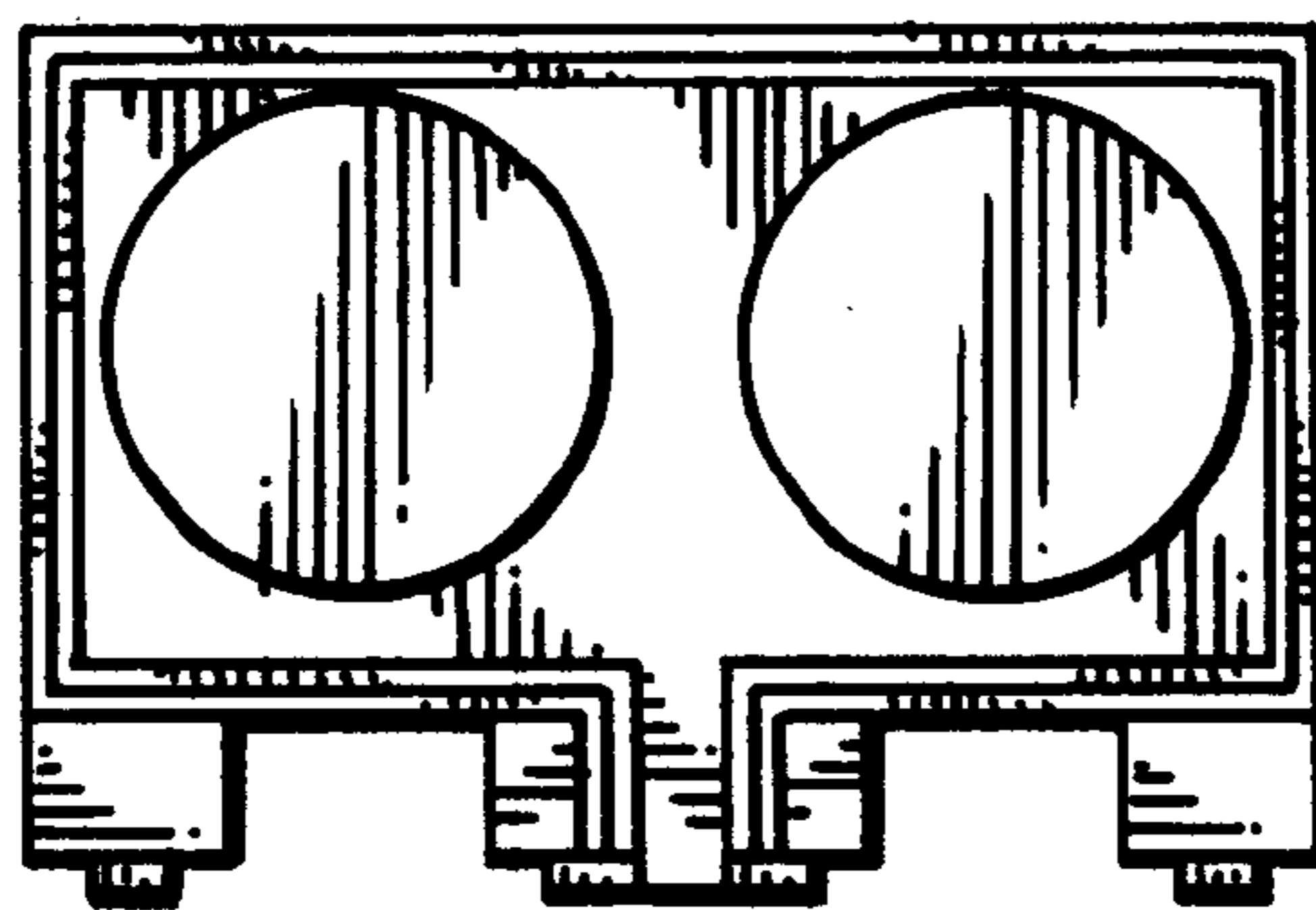


FIG. 2

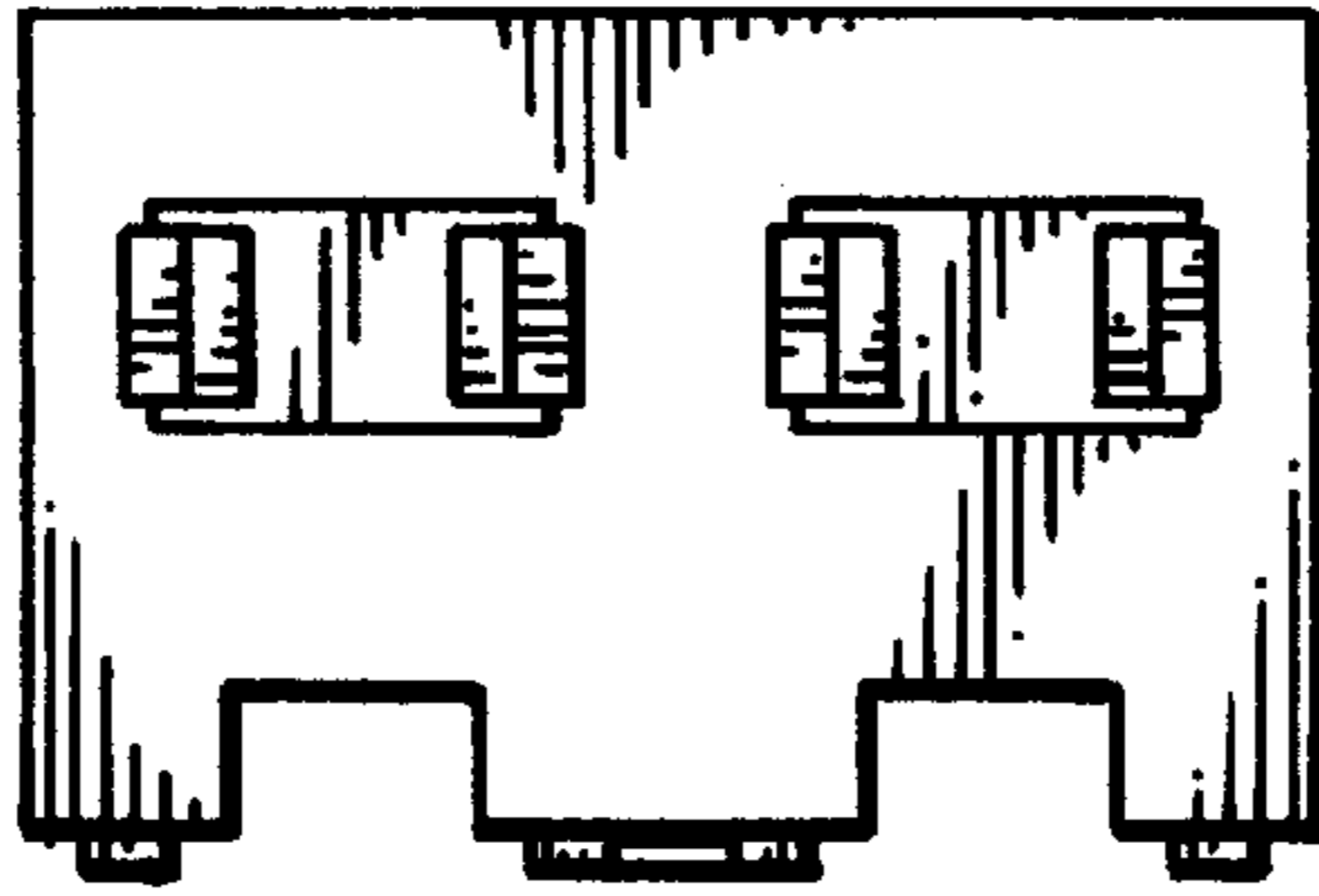


FIG. 3

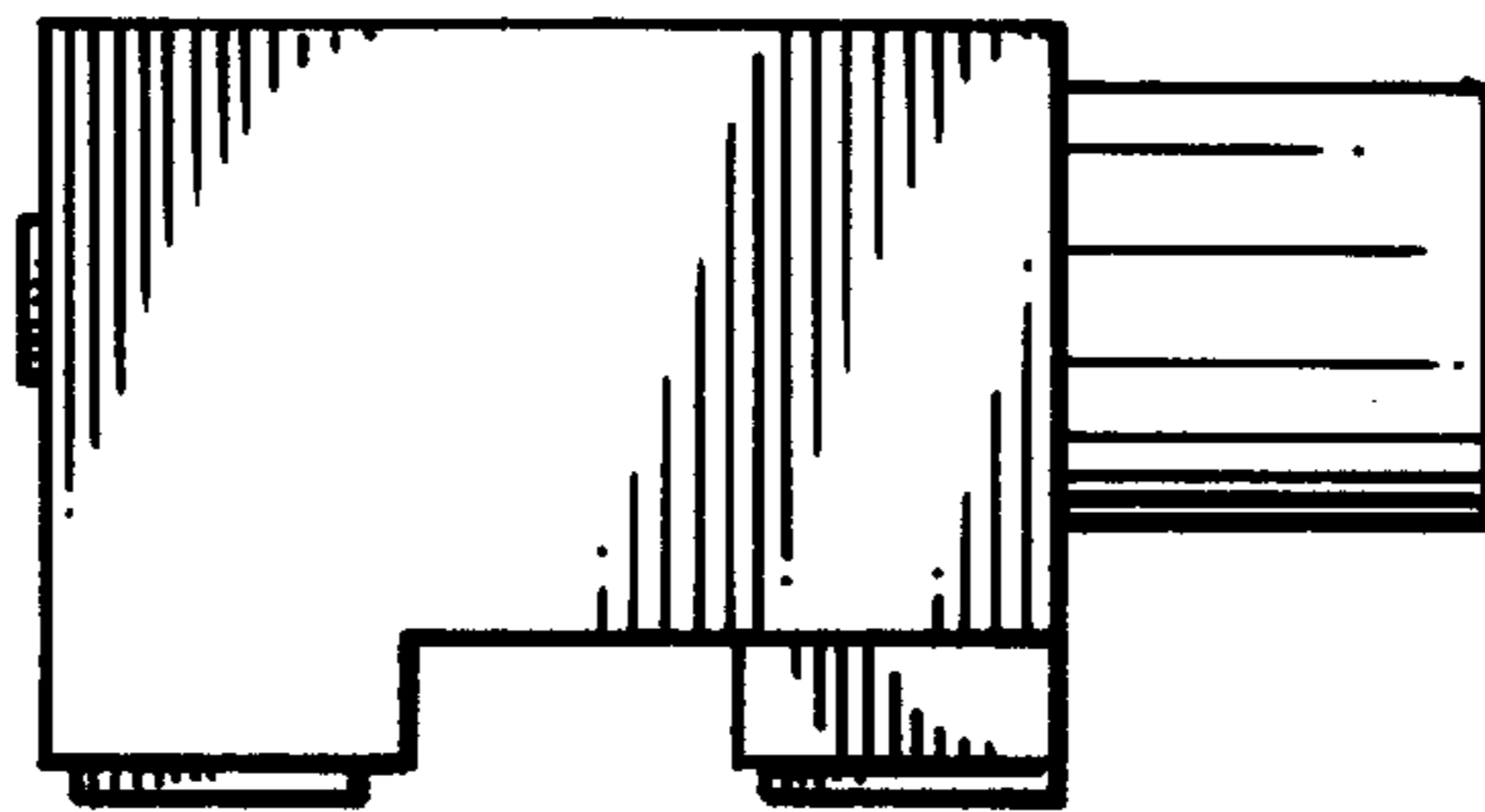


FIG. 4

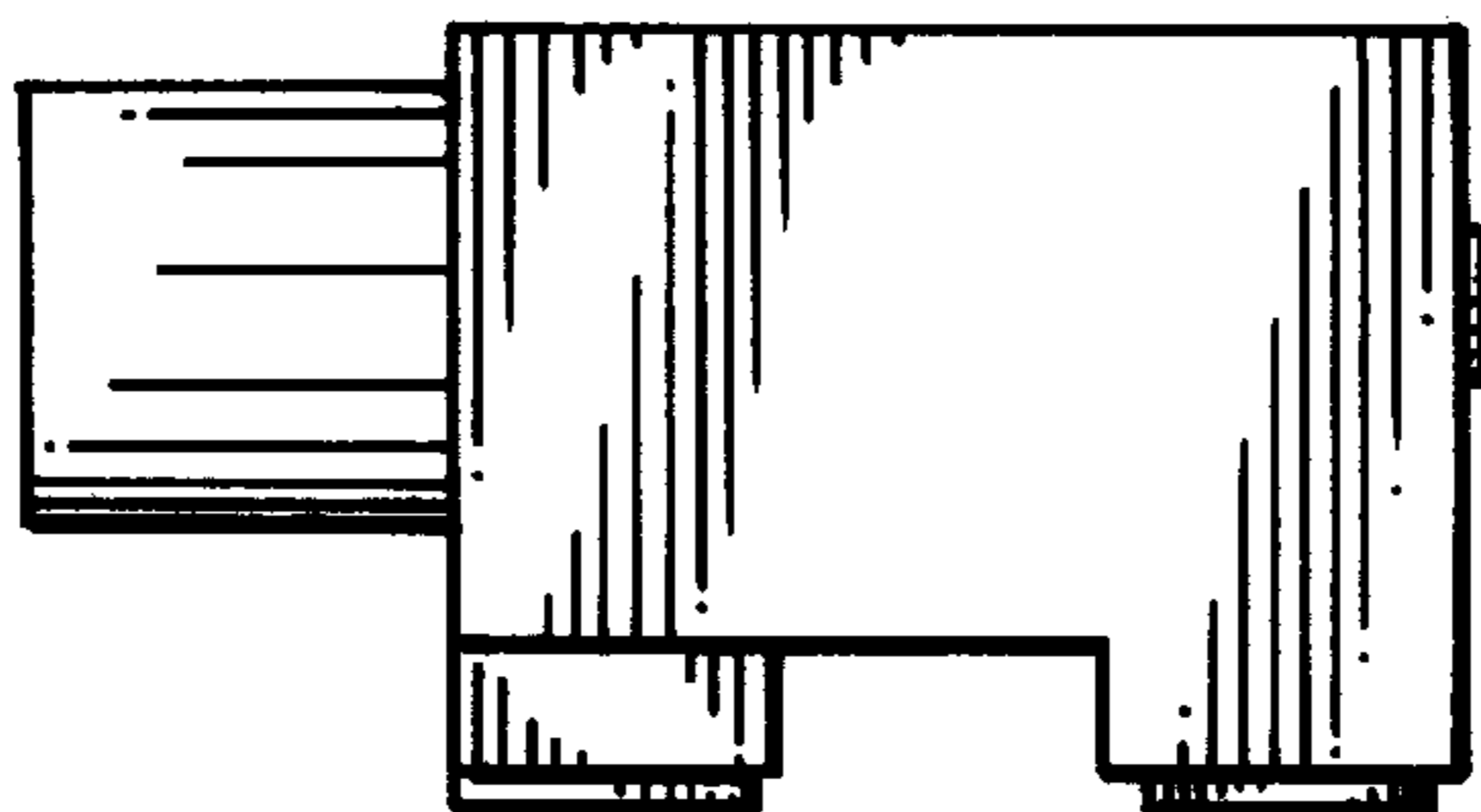


FIG. 5

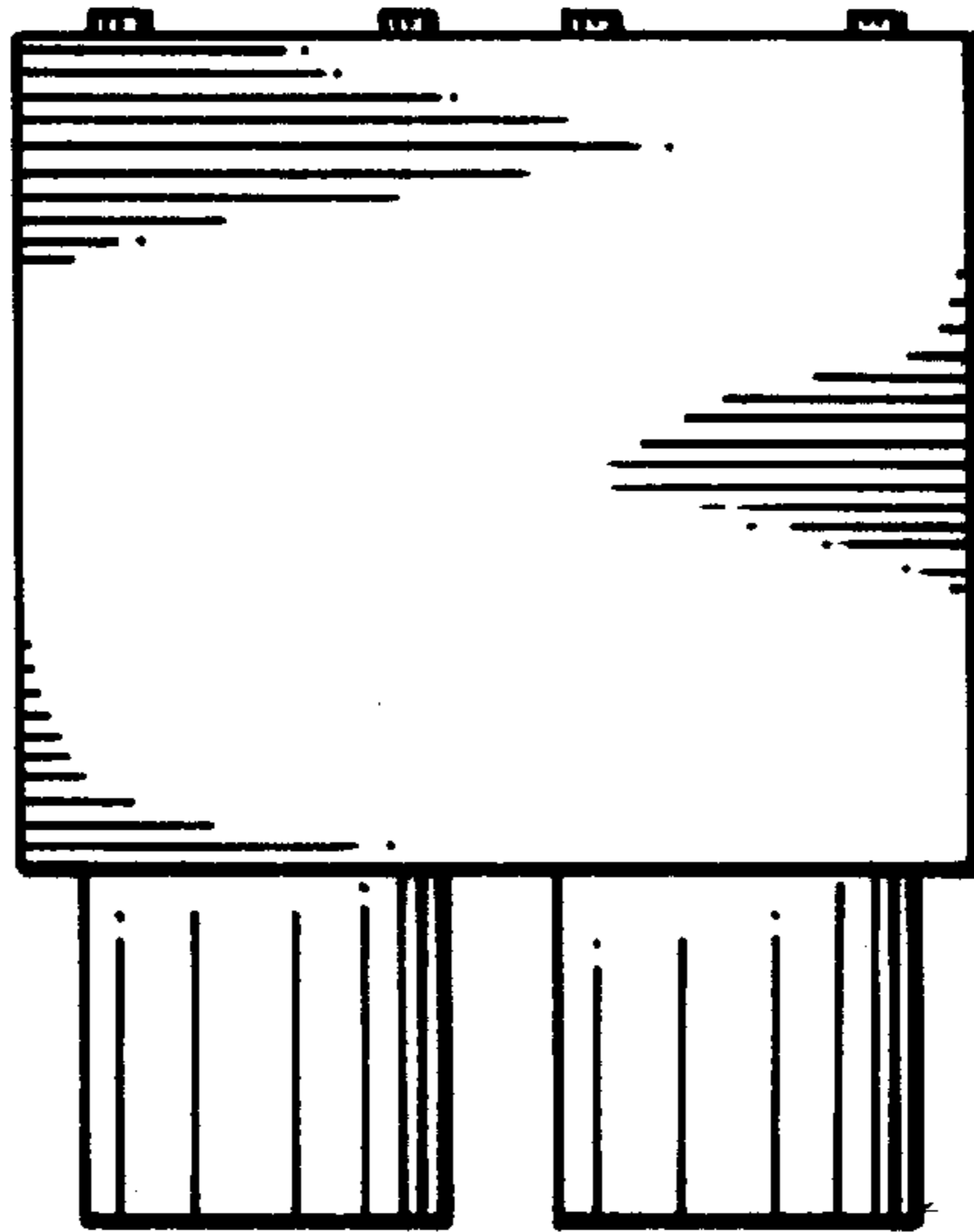


FIG. 6

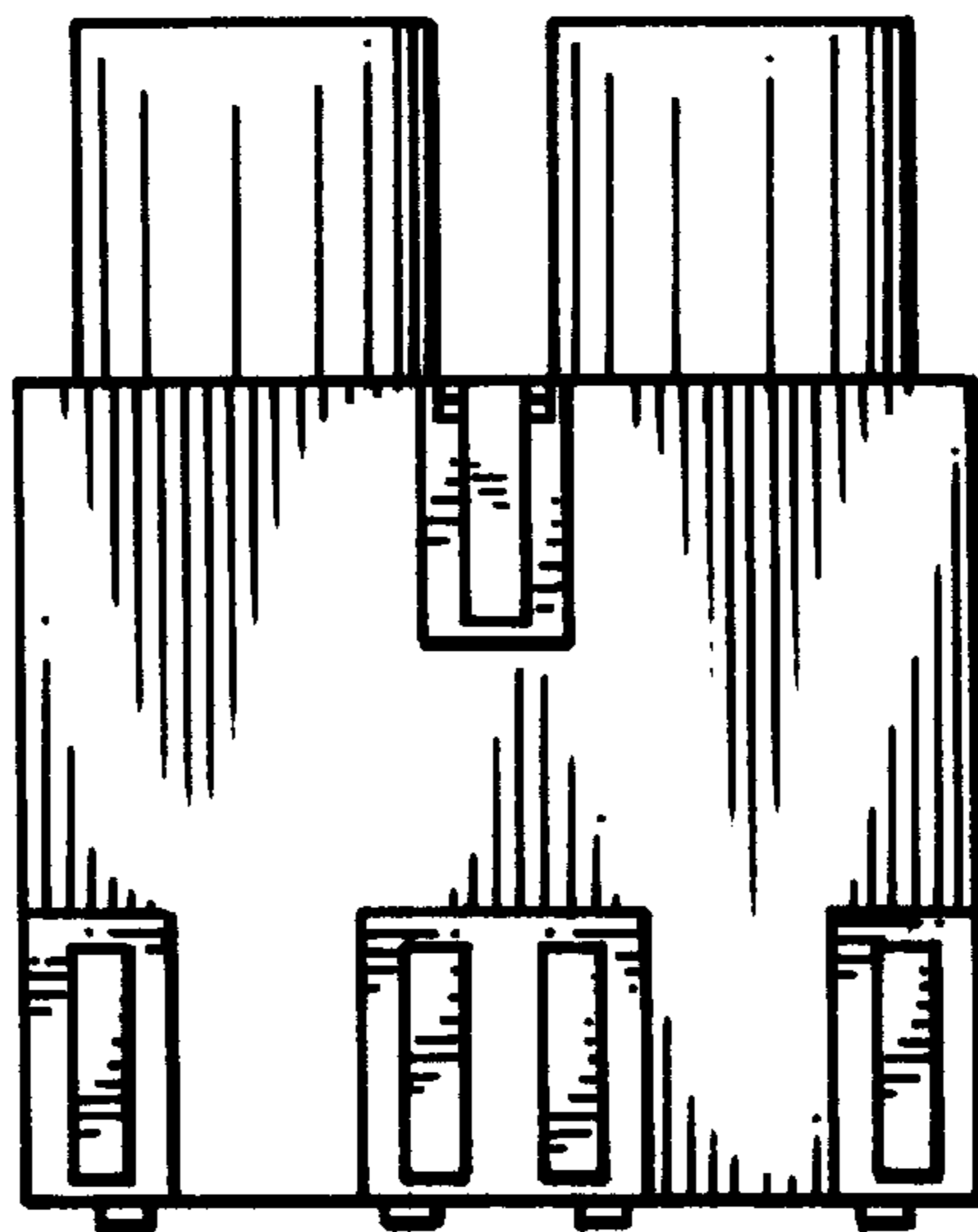


FIG. 7