



US00D422928S

United States Patent [19]

Zabawski et al.

[11] Patent Number: Des. 422,928

[45] Date of Patent: ** Apr. 18, 2000

[54] HOUSING FOR A PLURALITY OF EMITTERS FOR DETECTORS

5,349,504 9/1994 Simms et al. .

OTHER PUBLICATIONS

[75] Inventors: **Henrick A. Zabawski**, Arlington Heights; **Robert R. Kornowski**, Schaumburg; **Chong S. Kim**, Naperville; **Chris L. Tsakiridis**, Chicago; **Daniel R. Schroeder**, Carol Stream; **Matthew A. Stahl**, Des Plaines, all of Ill.

PRISM™ CBI™, SMD Circuit Board Indicators, Dialight Catalog, May 1994, Dialight, 1913 Atlantic Ave., Manasquan, New Jersey 08736.

Primary Examiner—Marcus A. Jackson
Attorney, Agent, or Firm—Pauley Petersen Kinne & Fejer

[73] Assignee: **Lumex, Inc.**, Palatine, Ill.

[**] Term: **14 Years**

[57] CLAIM

The ornamental design for a housing for a plurality of emitters for detectors, as shown and described.

[21] Appl. No.: **29/073,772**

DESCRIPTION

[22] Filed: **Jul. 17, 1997**

FIG. 1 is a front perspective view of a housing for a plurality of emitters for detectors;

[51] LOC (6) Cl. **10-05**

FIG. 2 is a front view of the housing for the emitters for detectors, as shown in FIG. 1;

[52] U.S. Cl. **D10/106**

FIG. 3 is a rear view of the housing for the emitters for detectors, as shown in FIG. 1;

[58] Field of Search D26/1, 2, 4; 362/226, 362/235, 236, 237, 240, 800, 307; D10/104, 106, 116, 121; 340/521, 540, 541, 545, 555, 556, 565, 572, 573, 628, 629, 630

FIG. 4 is a side view of the housing for the emitters for detectors, as shown in FIG. 1;

[56] References Cited

U.S. PATENT DOCUMENTS

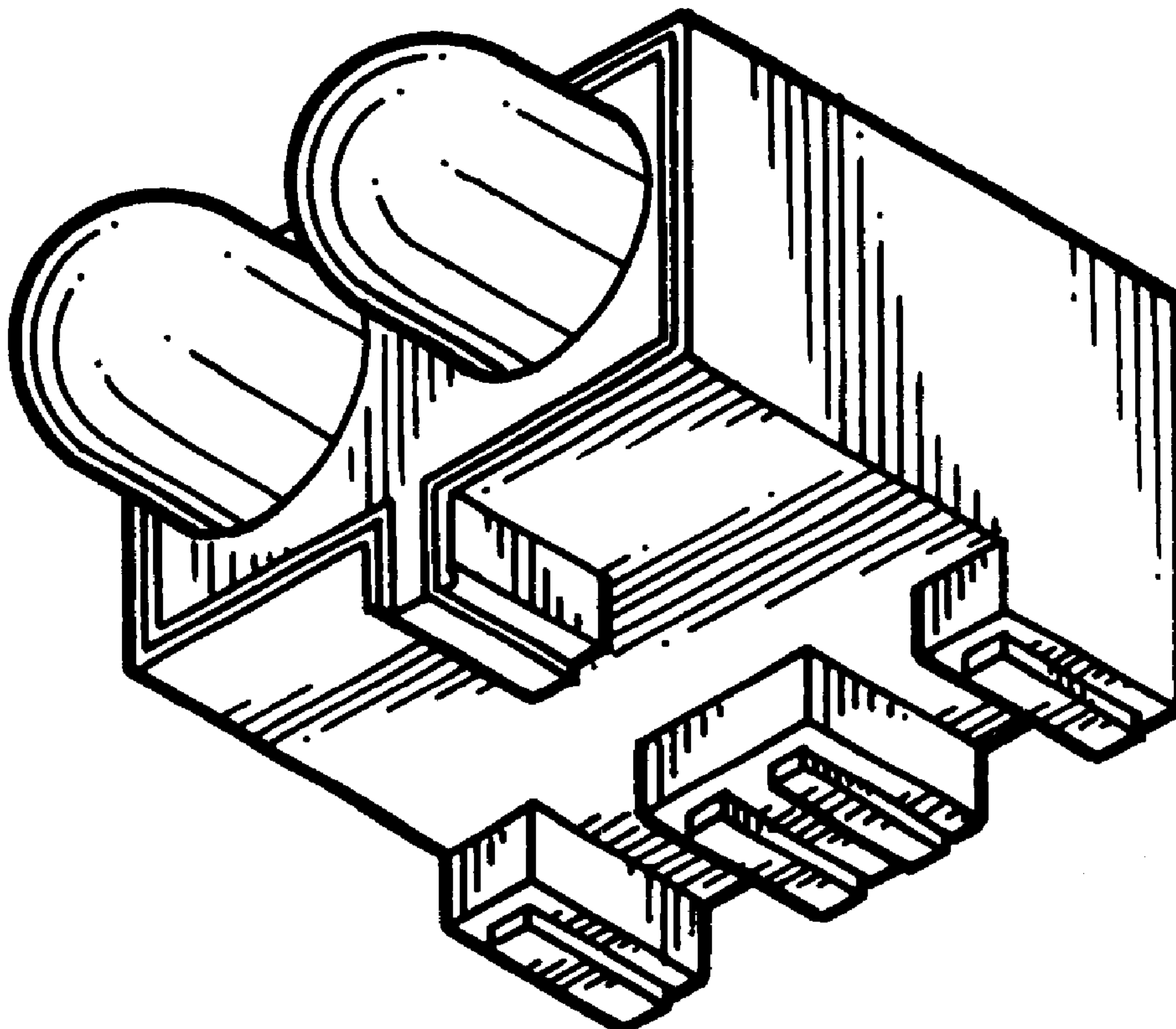
Re. 34,254	5/1993	Dragoon .	
4,935,856	6/1990	Dragoon .	
4,959,761	9/1990	Cirtelli et al.	362/226
5,121,311	6/1992	Cheselske	362/240
5,327,328	7/1994	Simms et al. .	

FIG. 5 is a side view, opposite the side view shown in FIG. 4, of the housing for the emitters for detectors, as shown in FIG. 1;

FIG. 6 is a top view of the housing for the emitters for detectors, as shown in FIG. 1; and,

FIG. 7 is a bottom view of the housing for the emitters for detectors, as shown in FIG. 1.

1 Claim, 3 Drawing Sheets



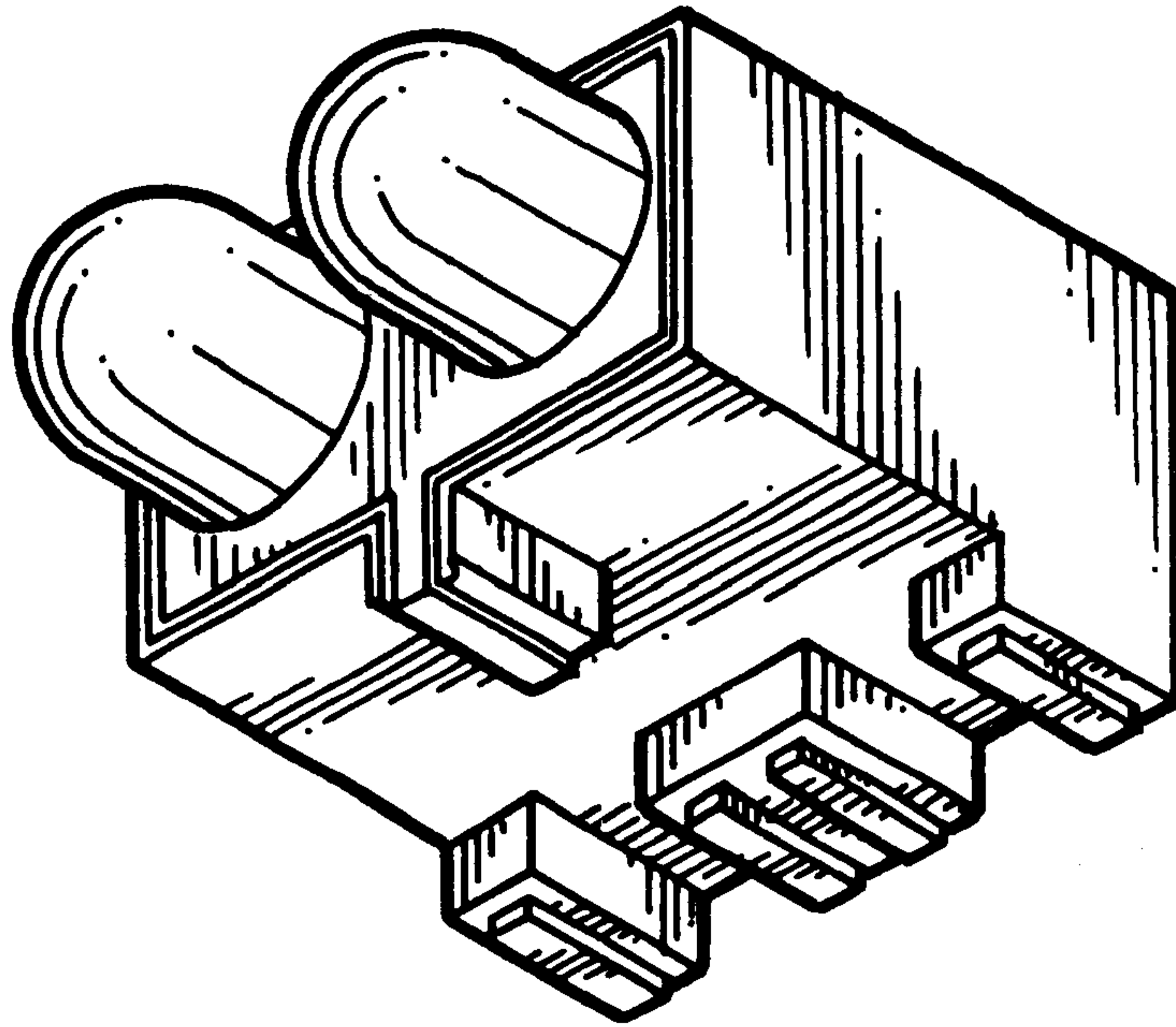


FIG. 1

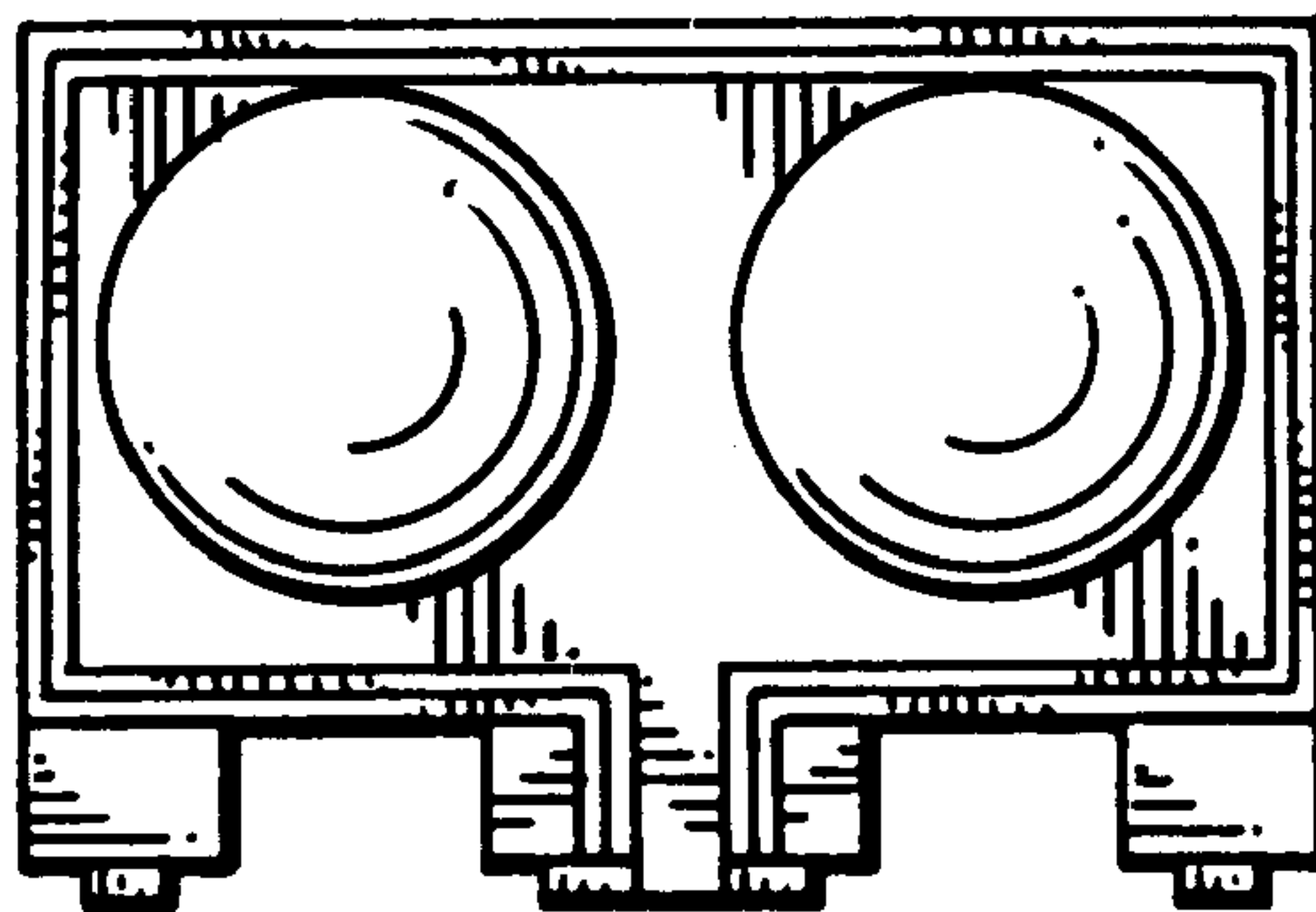


FIG. 2

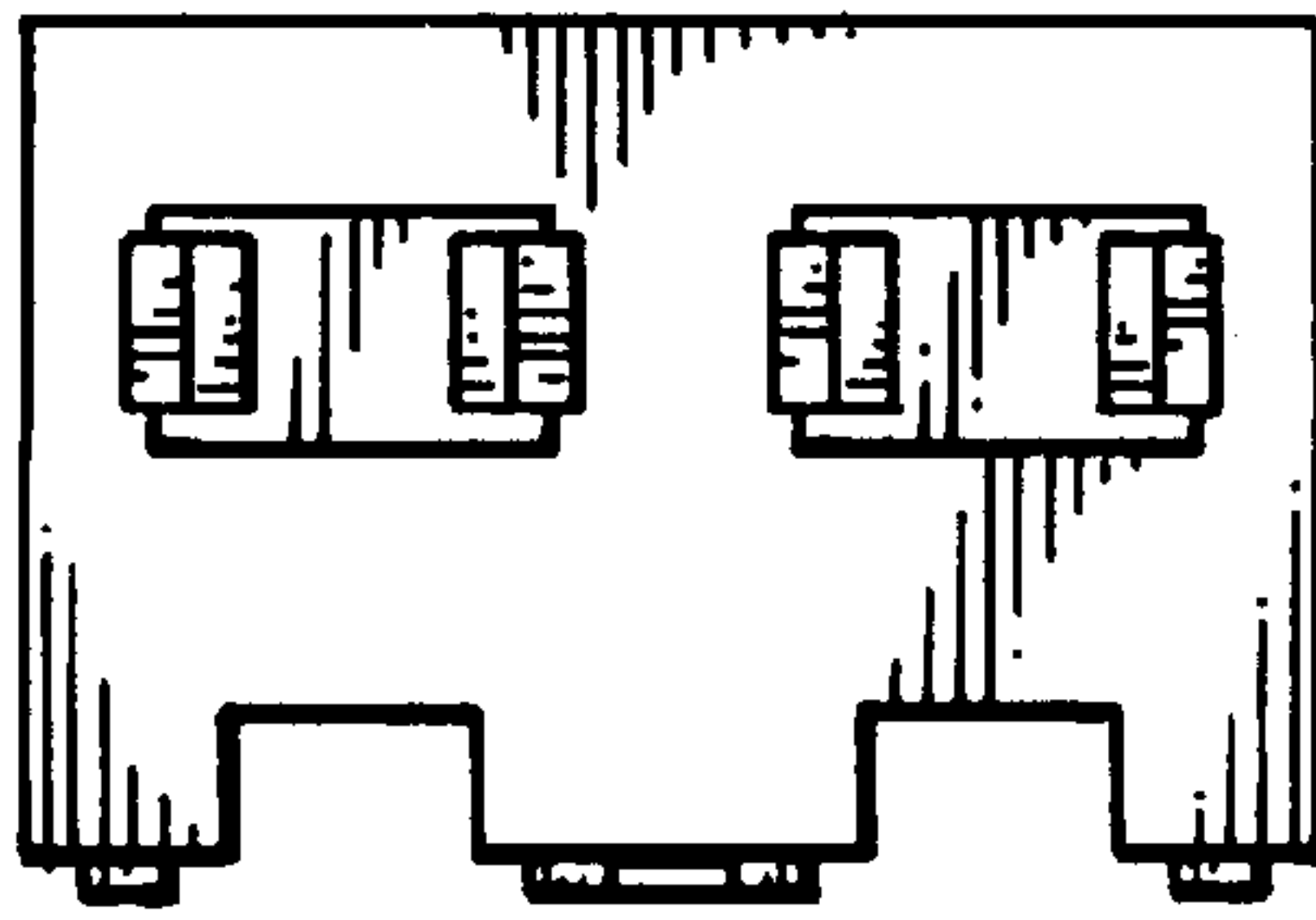


FIG. 3

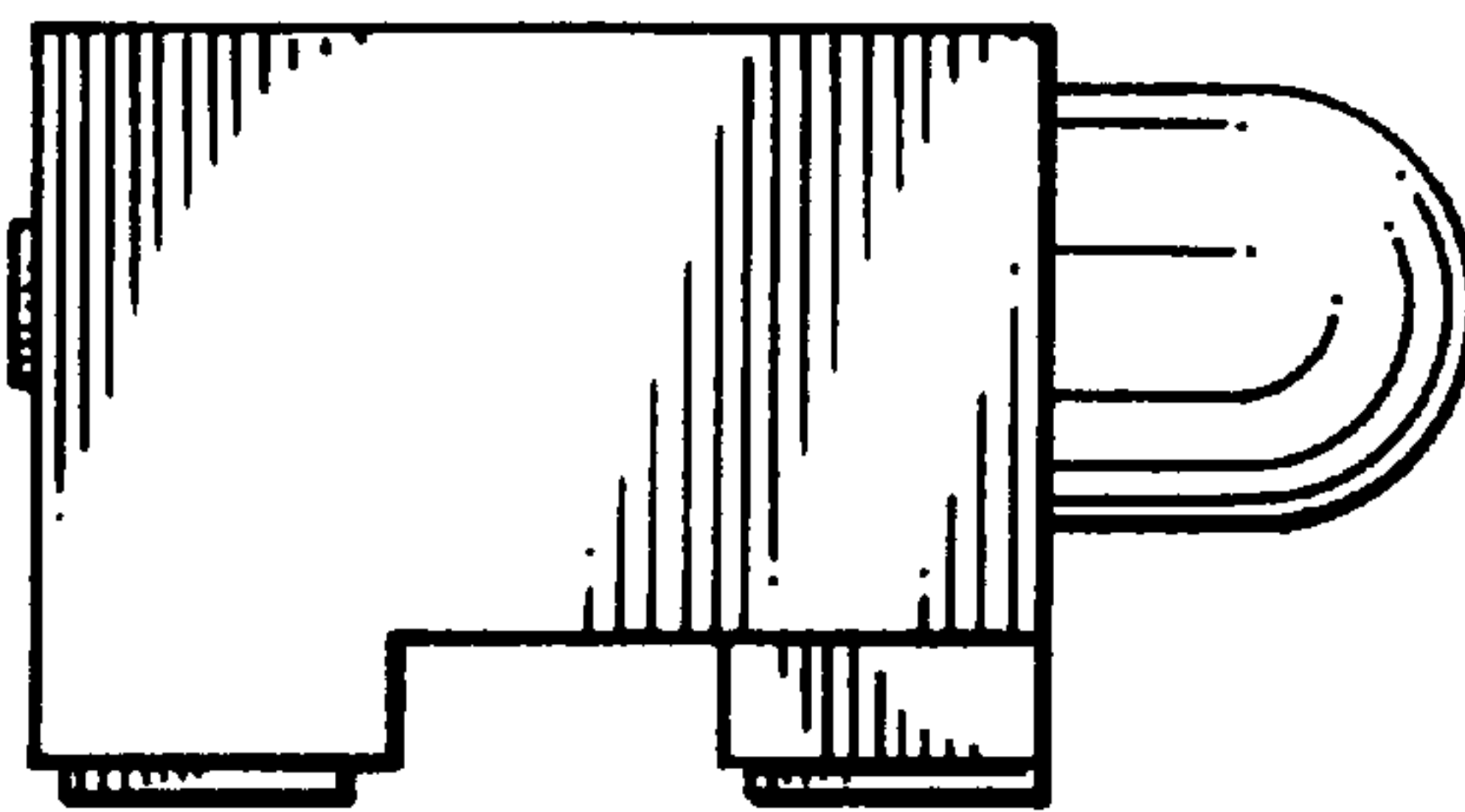


FIG. 4

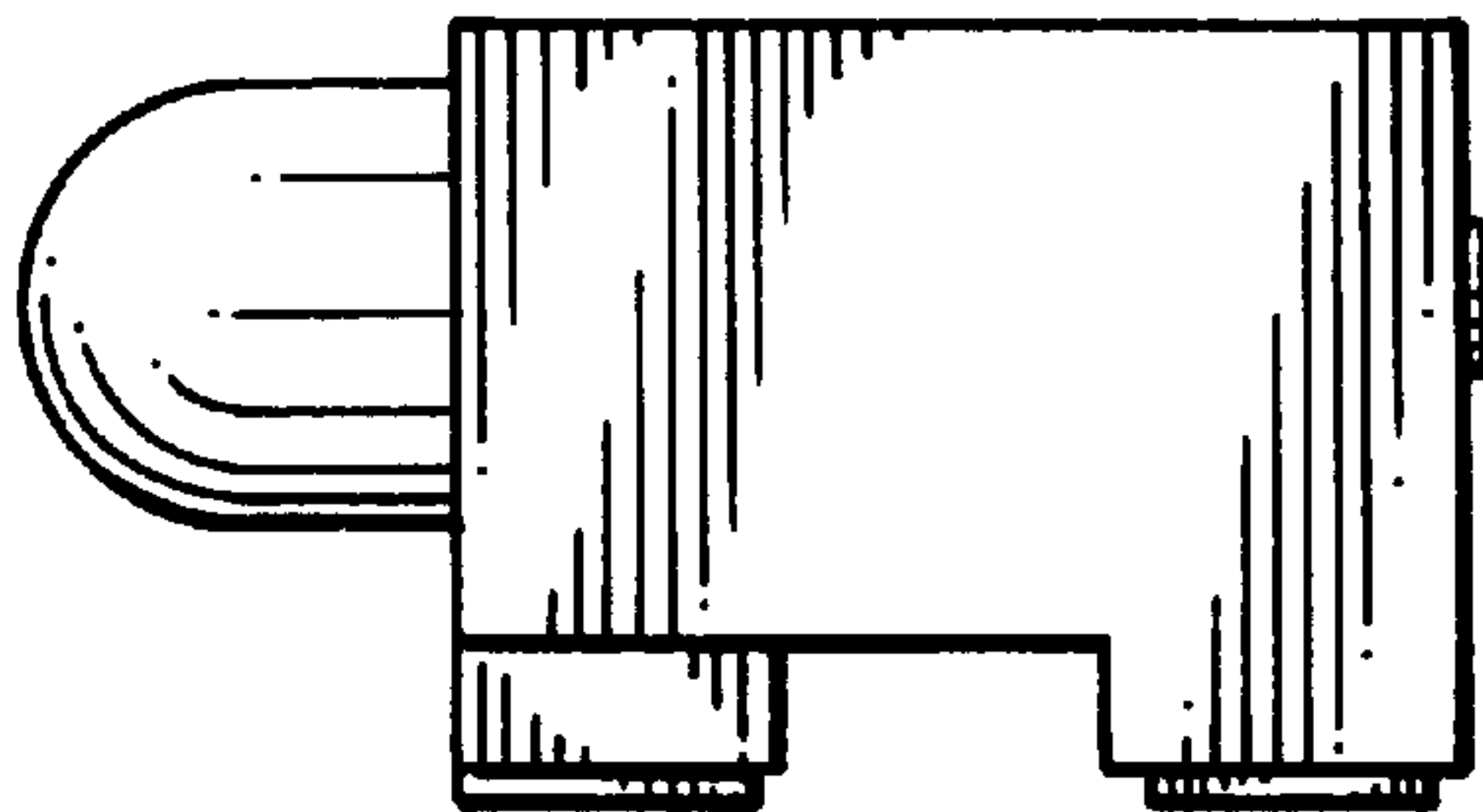


FIG. 5

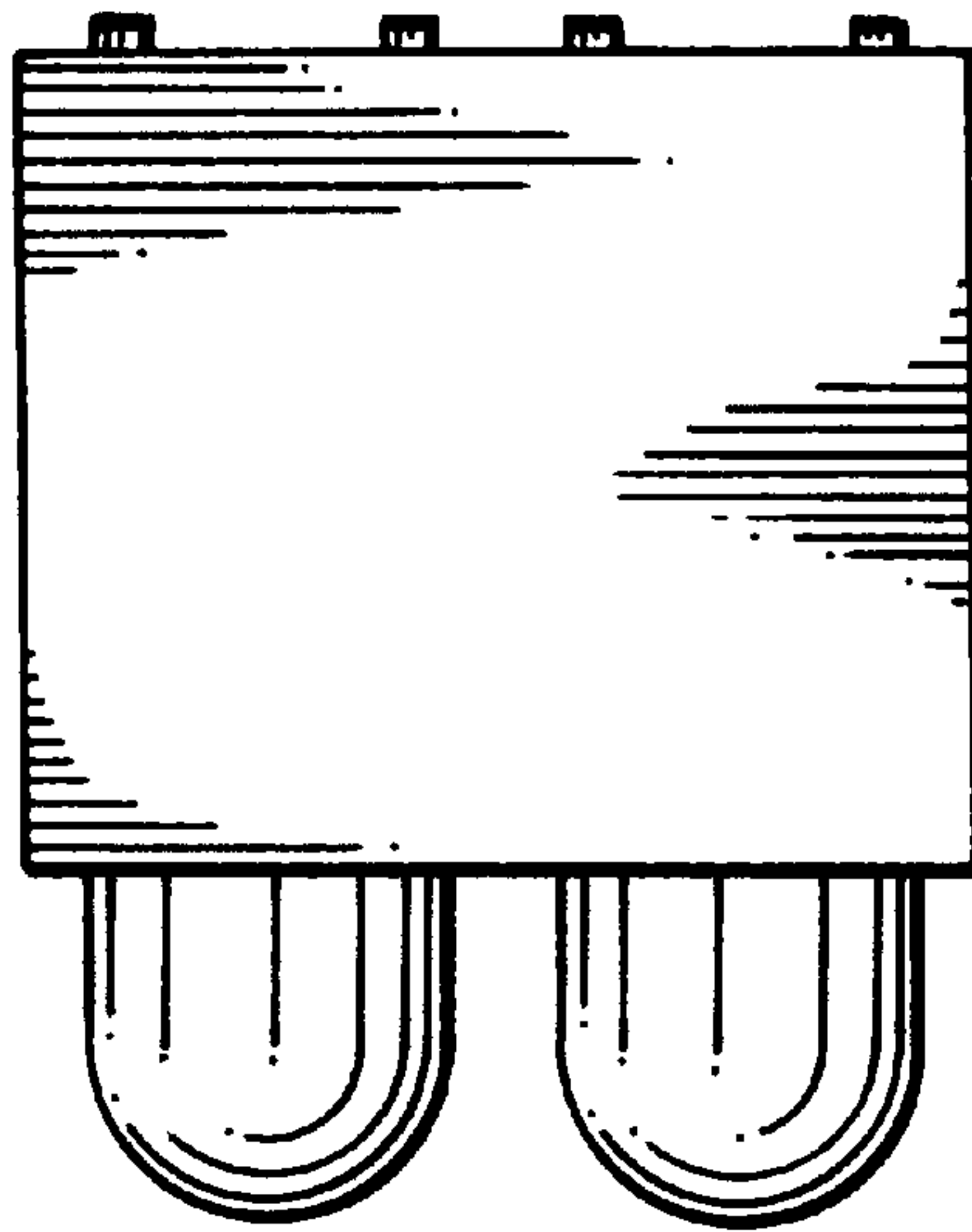


FIG. 6

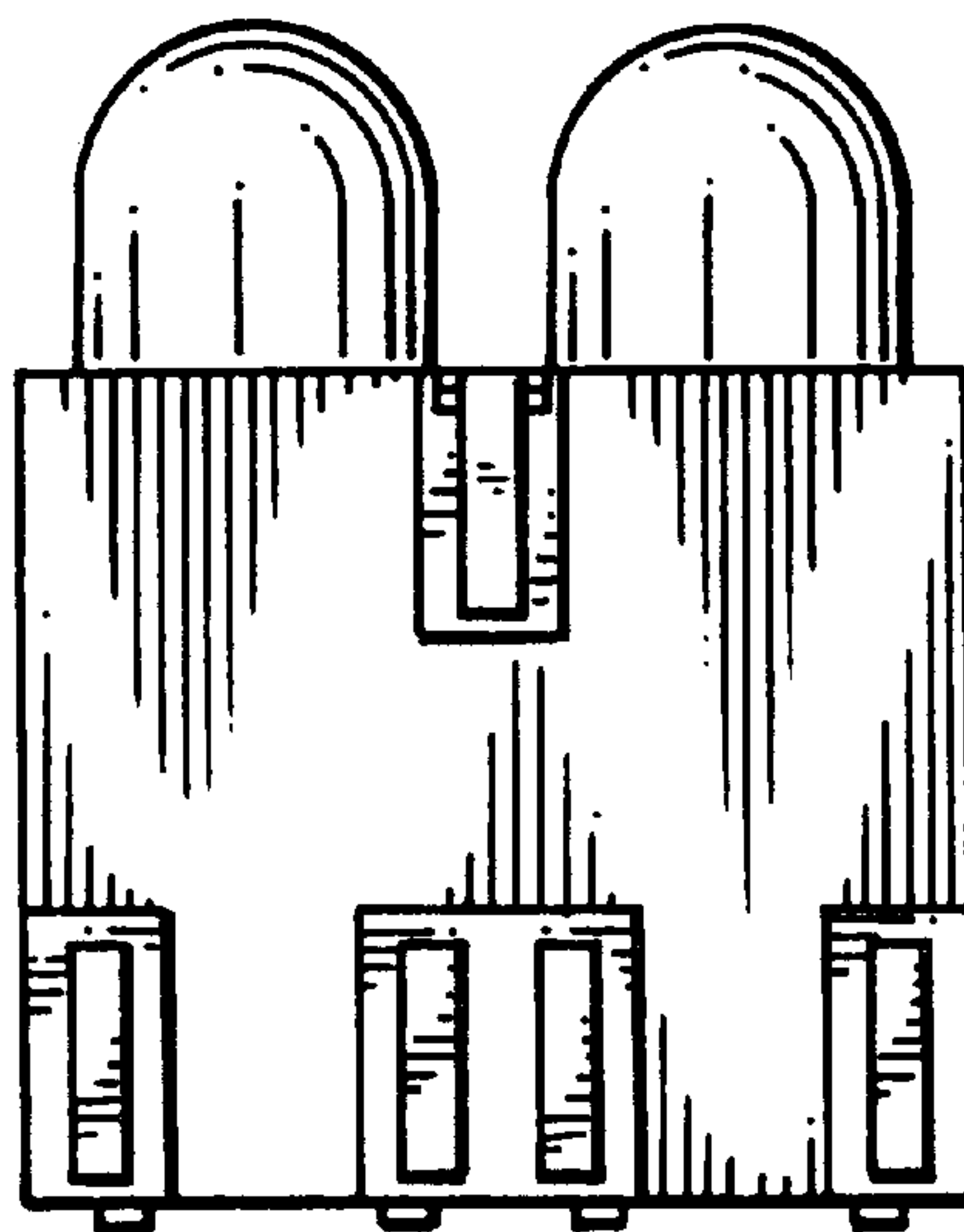


FIG. 7