



US00D422926S

**United States Patent** [19]  
**Gander et al.**

[11] **Patent Number: Des. 422,926**  
[45] **Date of Patent: \*\* Apr. 18, 2000**

[54] **WEIGHING APPARATUS**

D. 350,295 9/1994 Reeder ..... D10/91  
D. 366,001 1/1996 Mimoto ..... D10/91

[75] Inventors: **Terry Gander**, Berks; **Martin Gaze**,  
Woking, both of United Kingdom

*Primary Examiner*—Antoine Duval Davis  
*Attorney, Agent, or Firm*—Kirschstein, et al.

[73] Assignee: **GEC Avery Limited**, United Kingdom

[\*\*] Term: **14 Years**

[57] **CLAIM**

The ornamental design for weighing apparatus, as shown.

[21] Appl. No.: **29/102,056**

**DESCRIPTION**

[22] Filed: **Mar. 16, 1999**

[30] **Foreign Application Priority Data**

Sep. 17, 1998 [GB] United Kingdom ..... 2077674

FIG. 1 is a front elevational view of a weighing apparatus in accordance with the design of our invention;

FIG. 2 is a top plan view thereof;

[51] **LOC (6) Cl.** ..... **10-04**

FIG. 3 is a rear elevational view thereof;

[52] **U.S. Cl.** ..... **D10/91**

FIG. 4 is a left side elevational view thereof;

[58] **Field of Search** ..... D10/91; 177/2,  
177/25.13, 25.14–25.18, 238–245

FIG. 5 is a right side elevational view thereof;

FIG. 6 is a bottom plan view thereof; and,

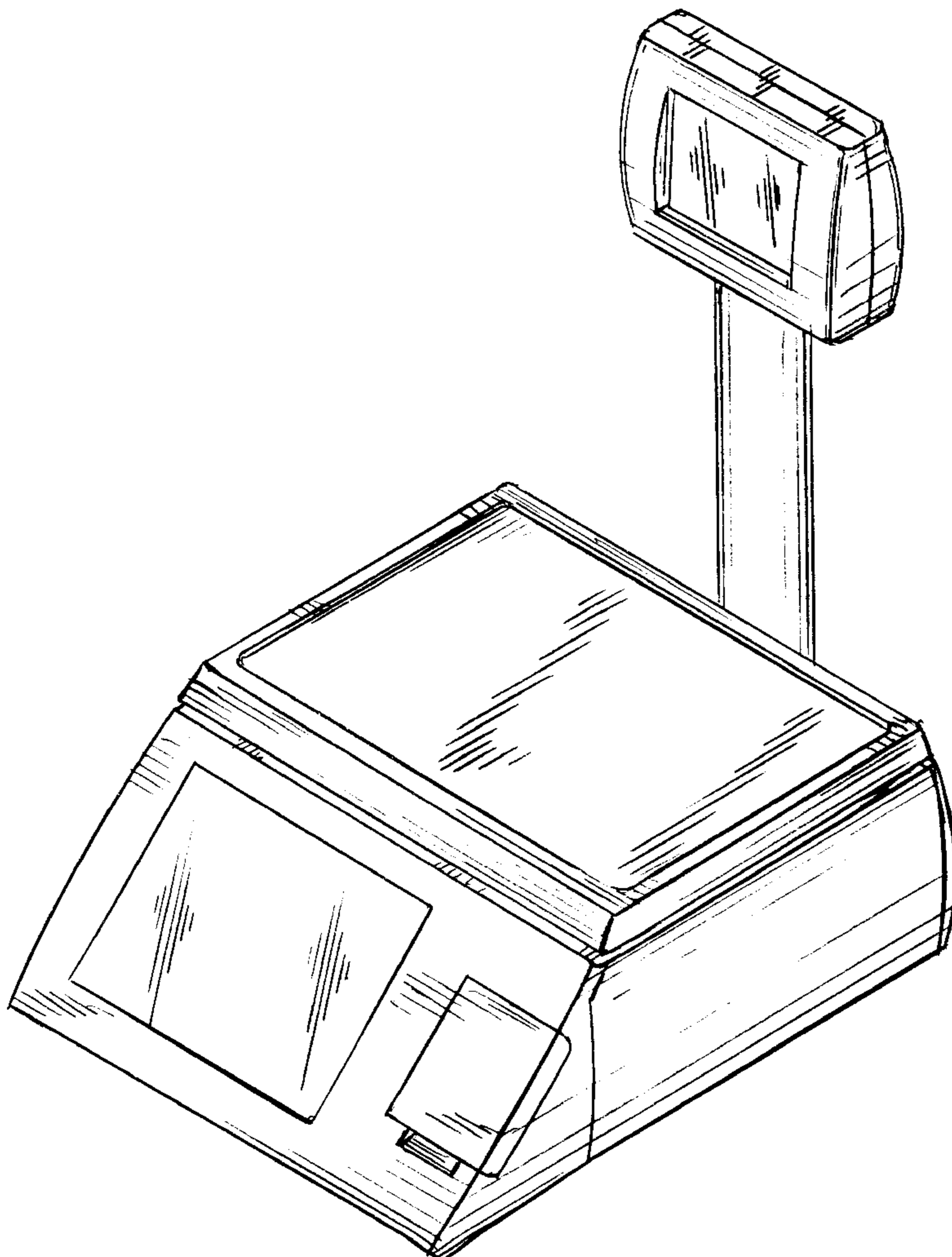
FIG. 7 is a front, top and right side, perspective view thereof.

[56] **References Cited**

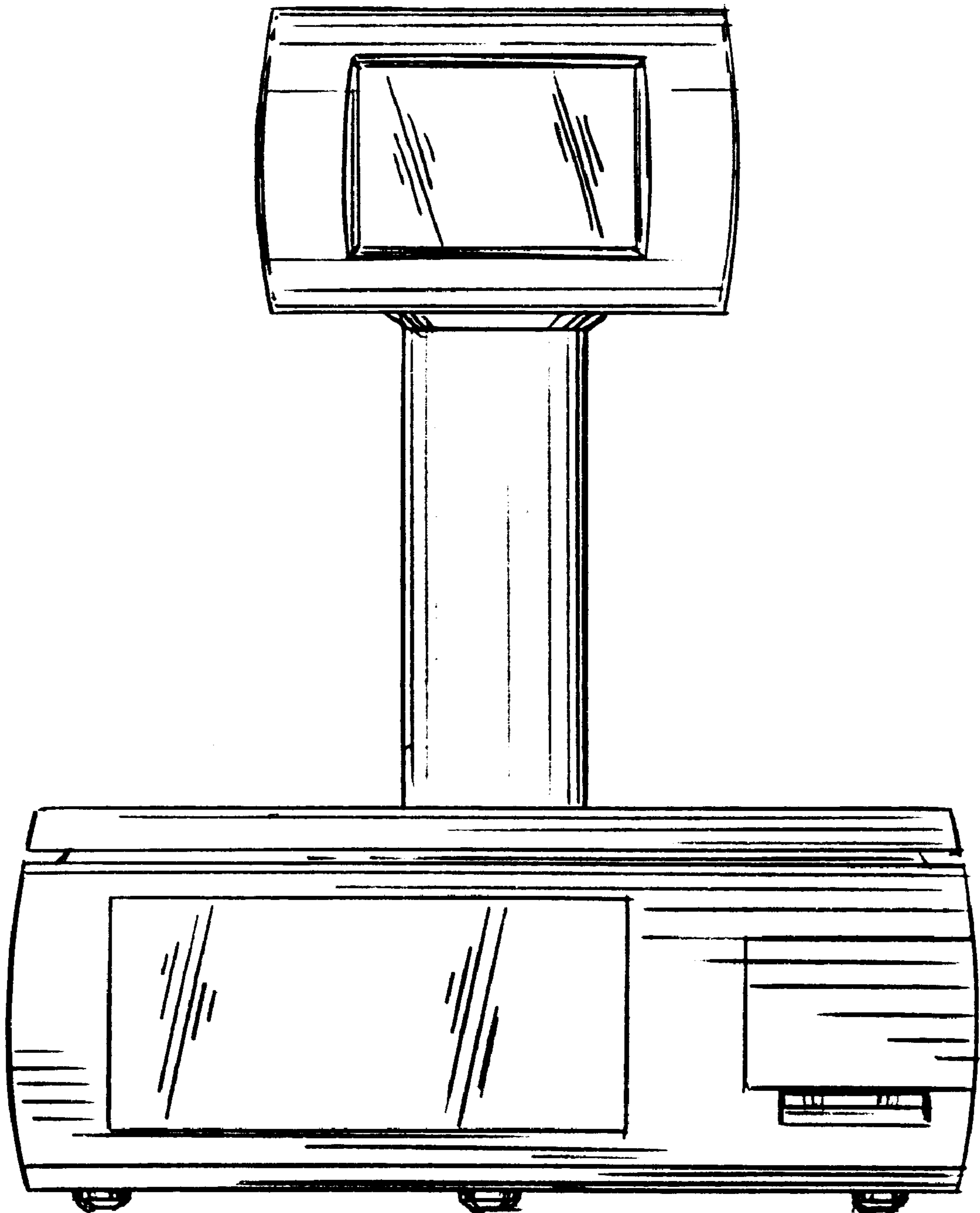
**U.S. PATENT DOCUMENTS**

D. 339,538 9/1993 Fellmann ..... D10/91

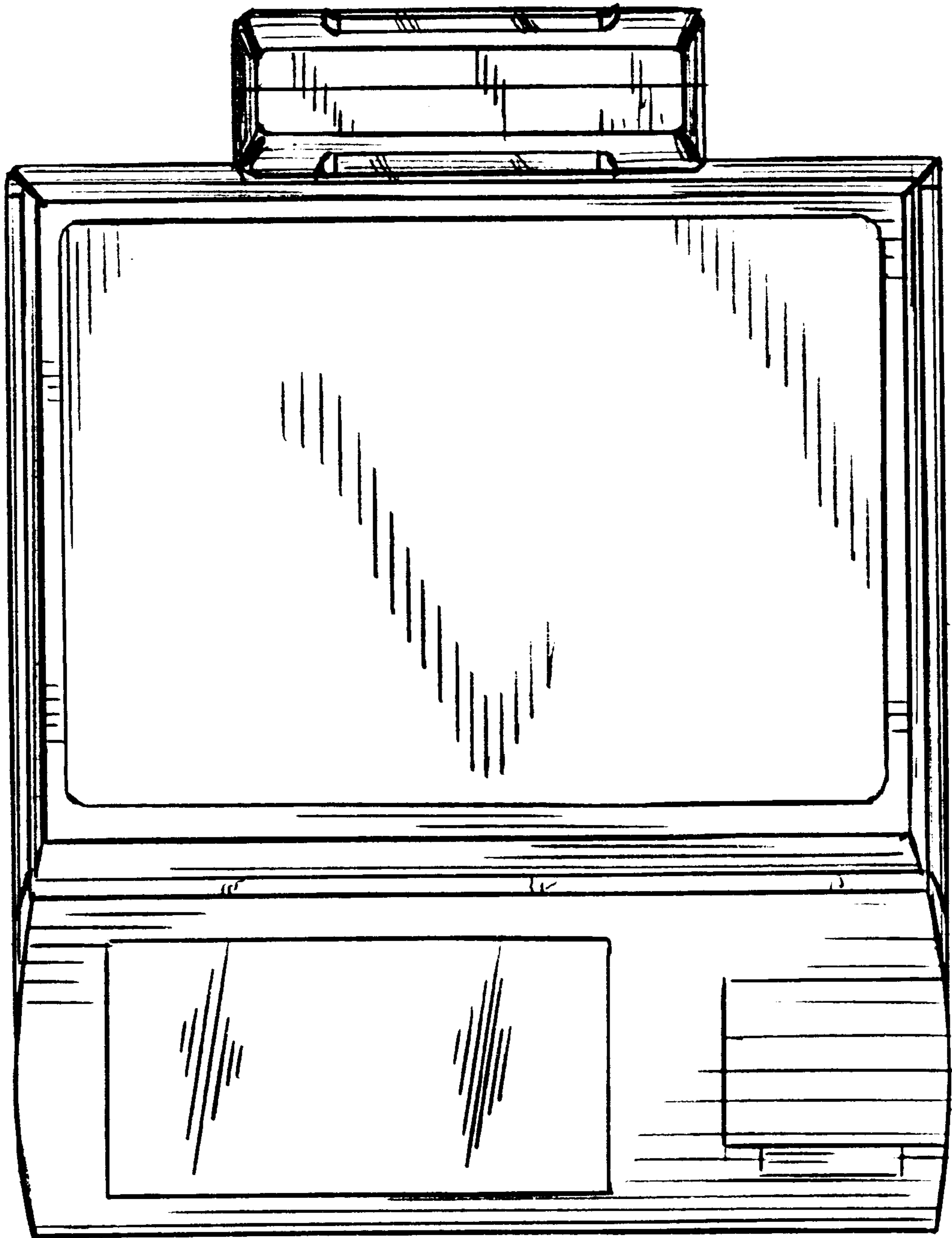
**1 Claim, 7 Drawing Sheets**



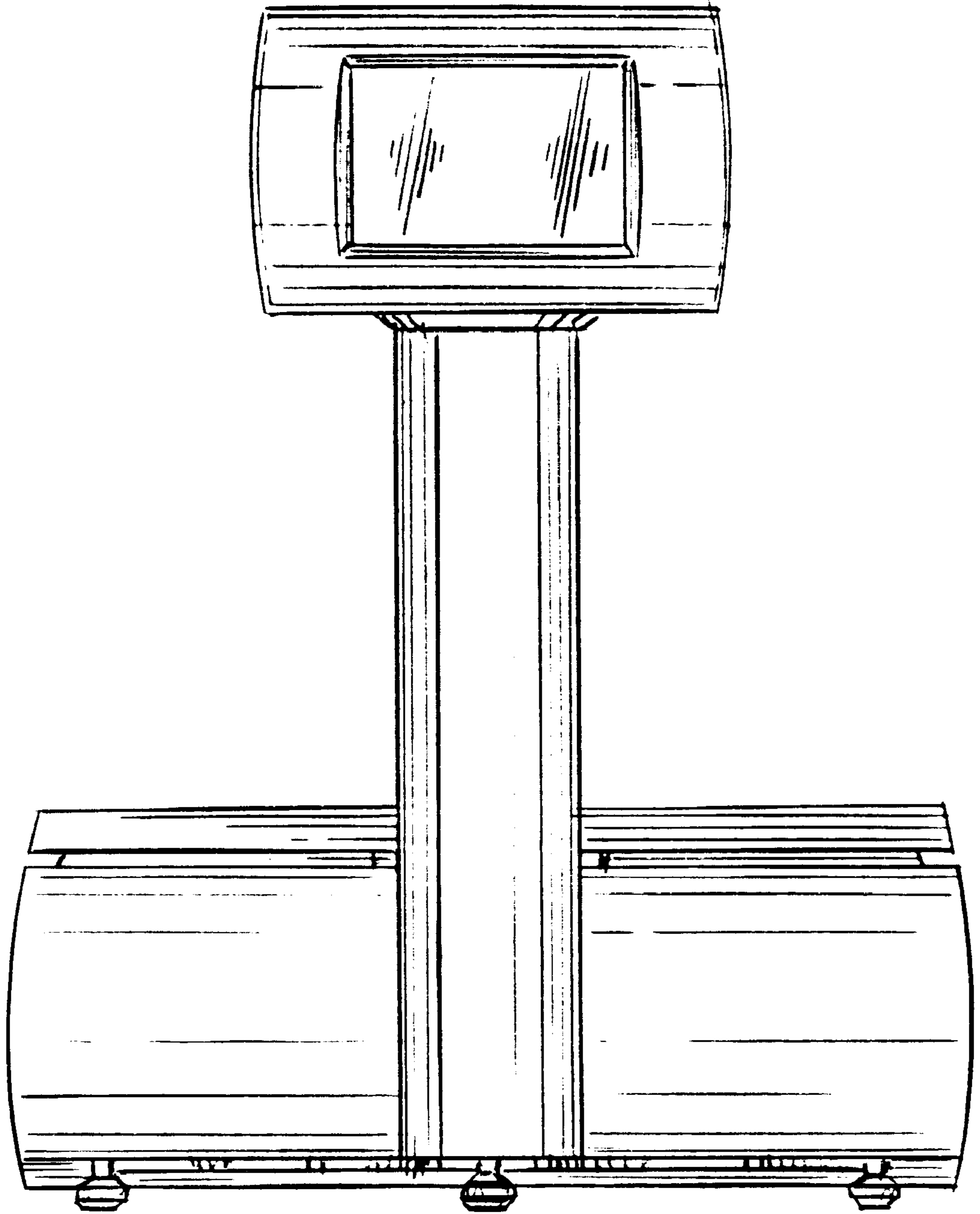
*FIG. 1*



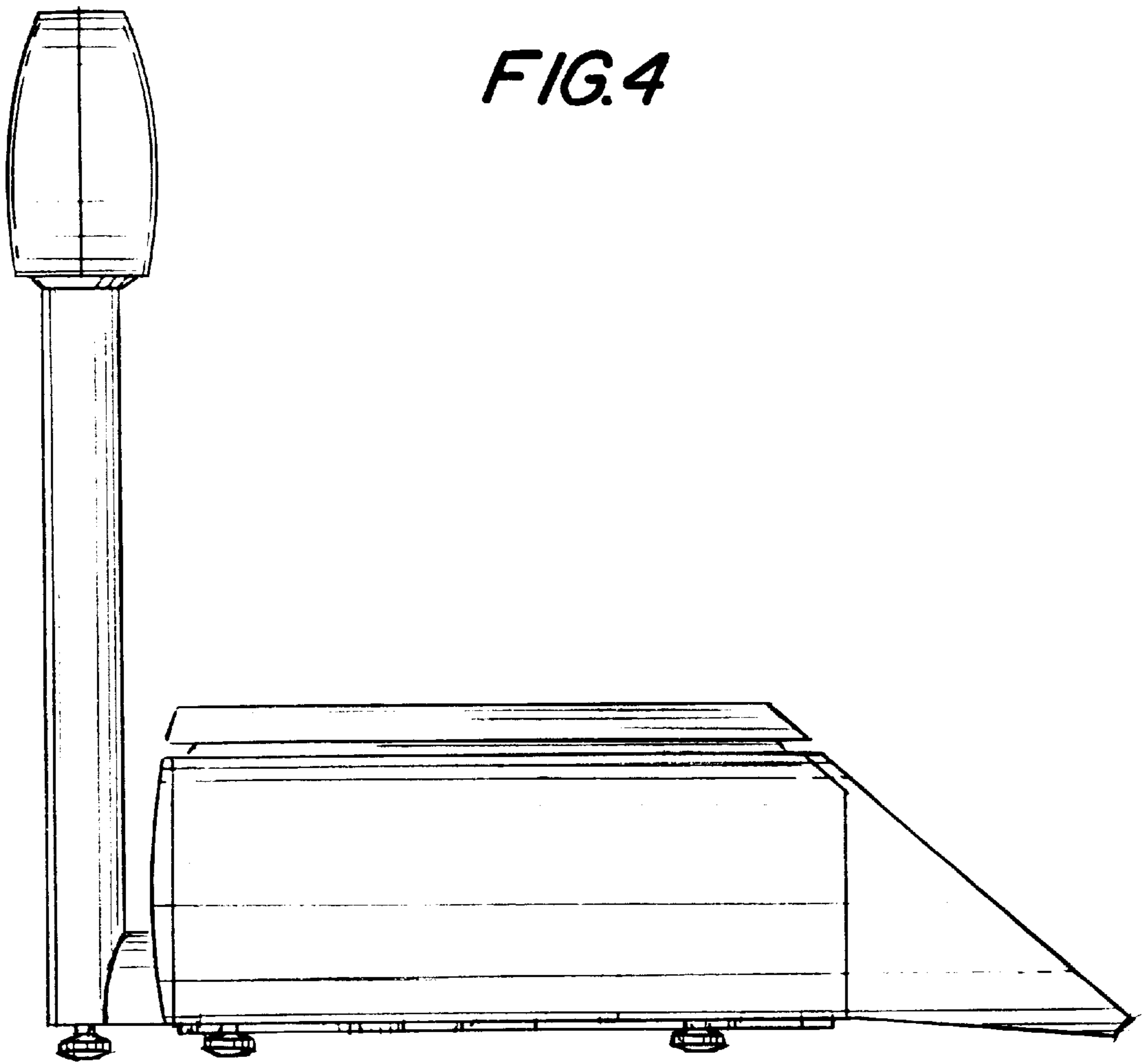
*FIG. 2*



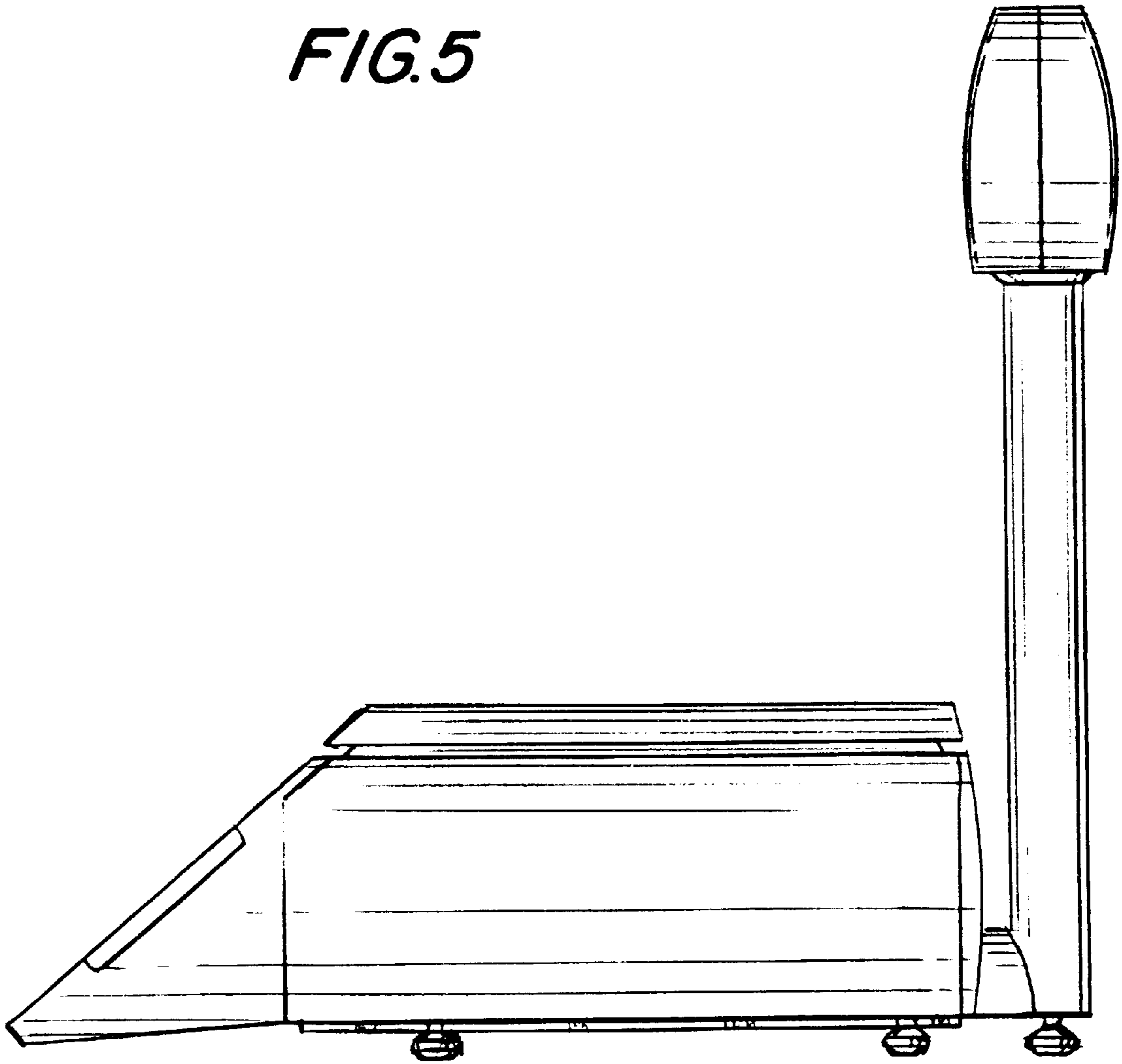
*FIG. 3*



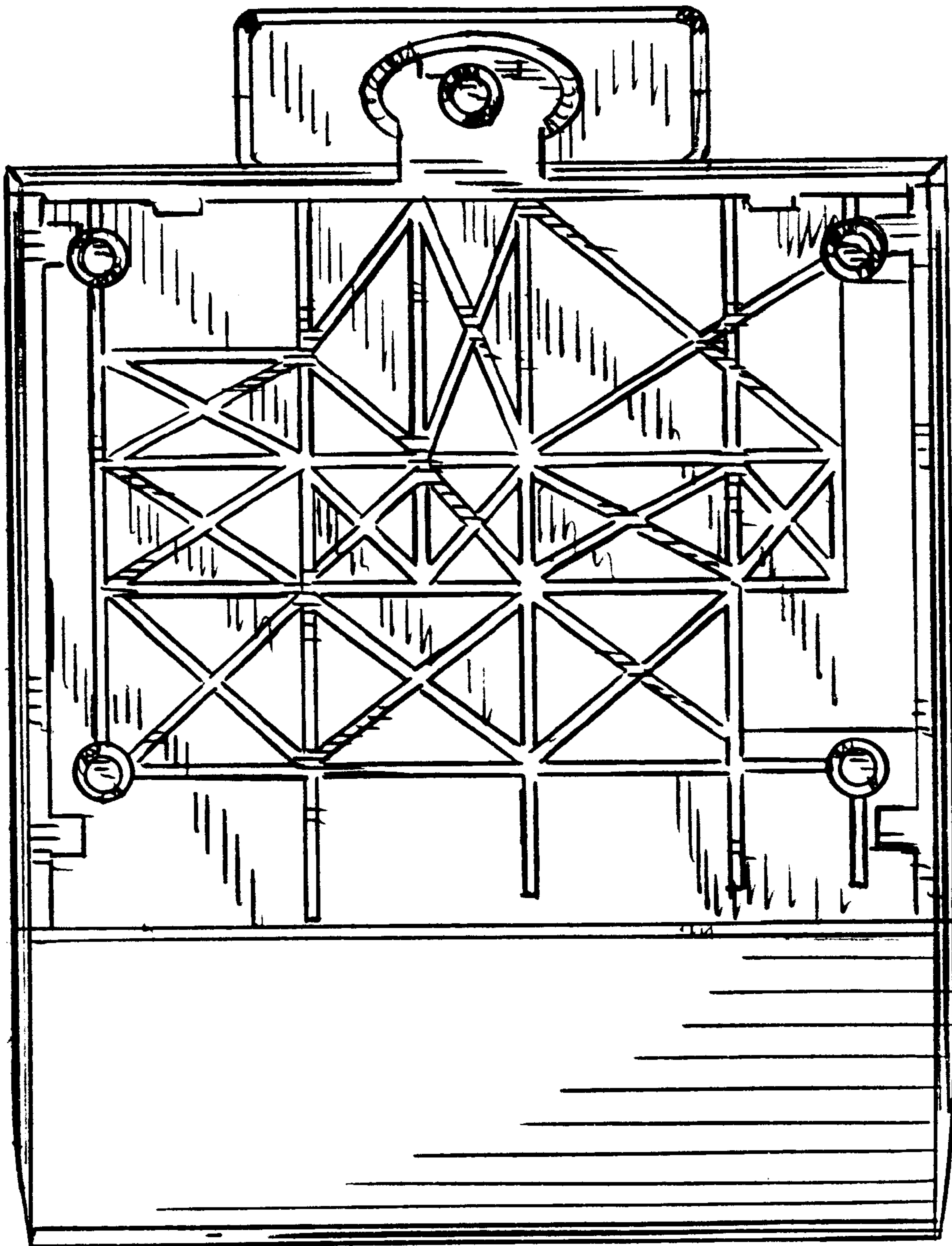
*FIG. 4*

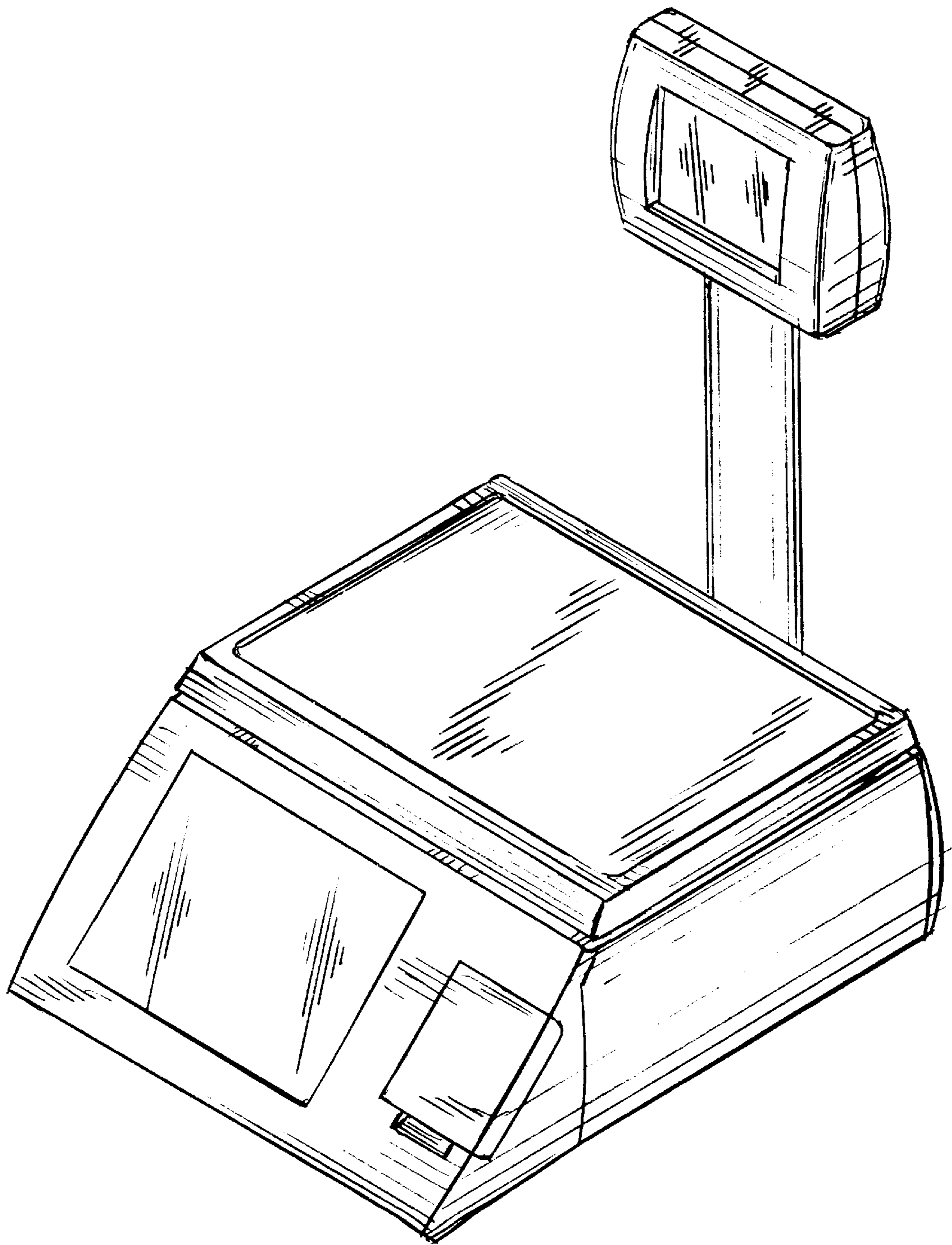


*FIG. 5*



*FIG. 6*





**FIG. 7**