



US00D422924S

United States Patent [19]
Bendinelli

[11] **Patent Number: Des. 422,924**

[45] **Date of Patent: ** Apr. 18, 2000**

[54] **CHART PLOTTER**

[75] Inventor: **Valter Bendinelli**, Lucca, Italy

[73] Assignee: **Navionics S.p.A.**, Viareggio, Italy

[**] Term: **14 Years**

[21] Appl. No.: **29/104,830**

[22] Filed: **May 12, 1999**

[30] **Foreign Application Priority Data**

Mar. 5, 1999 [XH] Hague Agreement DM/047119

[51] **LOC (6) Cl.** **10-04**

[52] **U.S. Cl.** **D10/65**

[58] **Field of Search** D10/65, 75; 248/918-924;
345/104, 133, 156, 168, 173, 87, 901-905;
348/180, 184, 325, 739; D14/100, 104,
106, 107; 364/444, 499; 342/419, 457,
357

[56] **References Cited**

U.S. PATENT DOCUMENTS

- D. 390,137 2/1998 Nishimura et al. D10/65
- D. 397,046 8/1998 Oshizawa D10/65
- D. 414,471 9/1999 Poole et al. D14/100

OTHER PUBLICATIONS

GEONAV6 Plus brochure. Navionics S.P.A., Italy.

Primary Examiner—Antoine Duval Davis

Attorney, Agent, or Firm—Browdy and Neimark

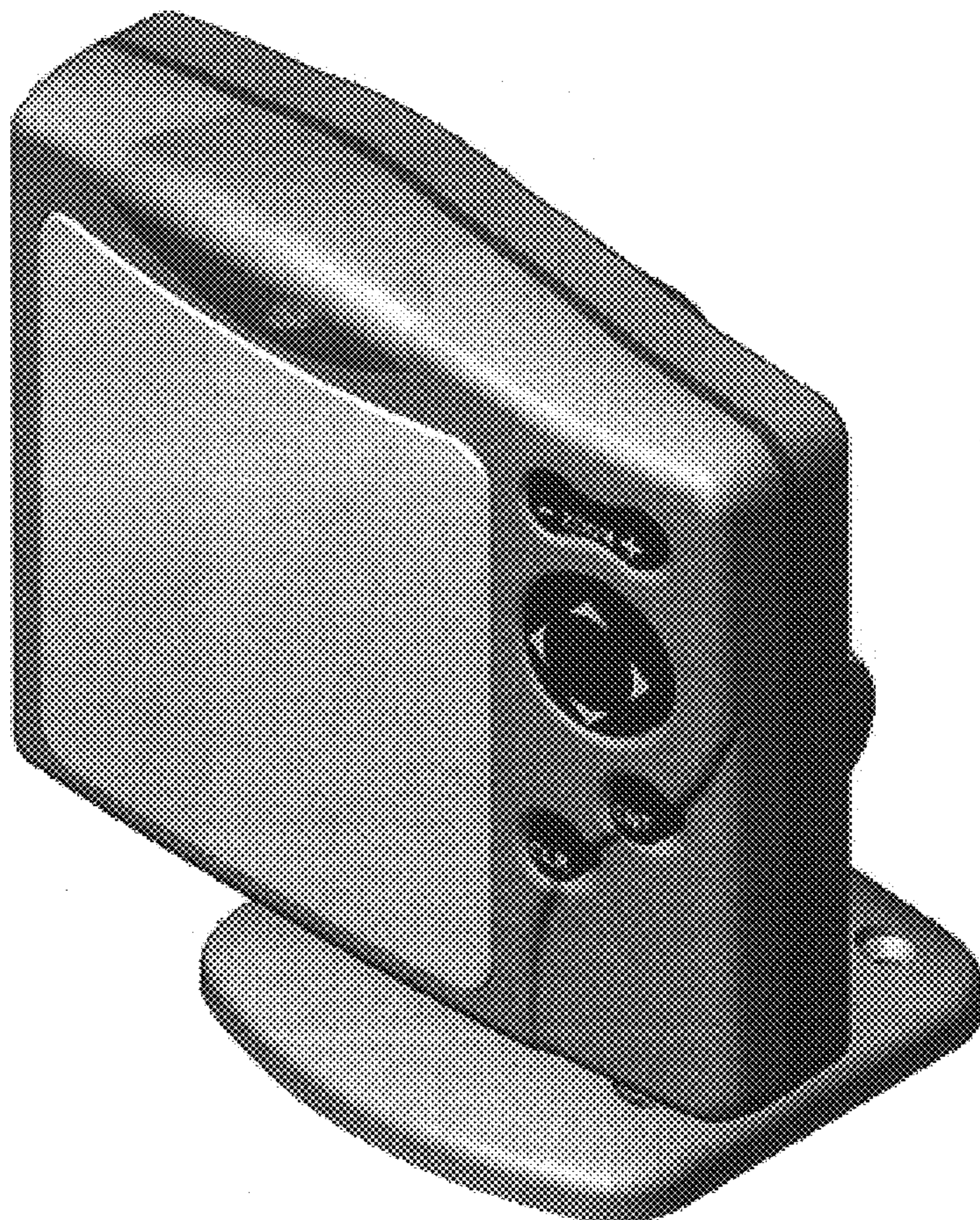
[57] **CLAIM**

The ornamental design for a chart plotter, as shown and described.

DESCRIPTION

FIG. 1 is top perspective view of a first variation of a chart plotter in accordance with the present design; FIG. 2 is a bottom perspective view thereof; FIG. 3 is a front side elevation view thereof; FIG. 4 is rear elevation view thereof; FIG. 5 is a left side elevation view thereof; FIG. 6 is a right side elevation view thereof; FIG. 7 is a top plan view thereof; FIG. 8 is a top perspective view of a second variation of a chart plotter in accordance with the present design; FIG. 9 is a bottom perspective view thereof; FIG. 10 is a front side elevation view thereof; FIG. 11 is a rear side elevation view thereof; FIG. 12 is a left side elevation view thereof; FIG. 13 is a right side elevation view thereof; and, FIG. 14 is a top plan view thereof.

1 Claim, 8 Drawing Sheets



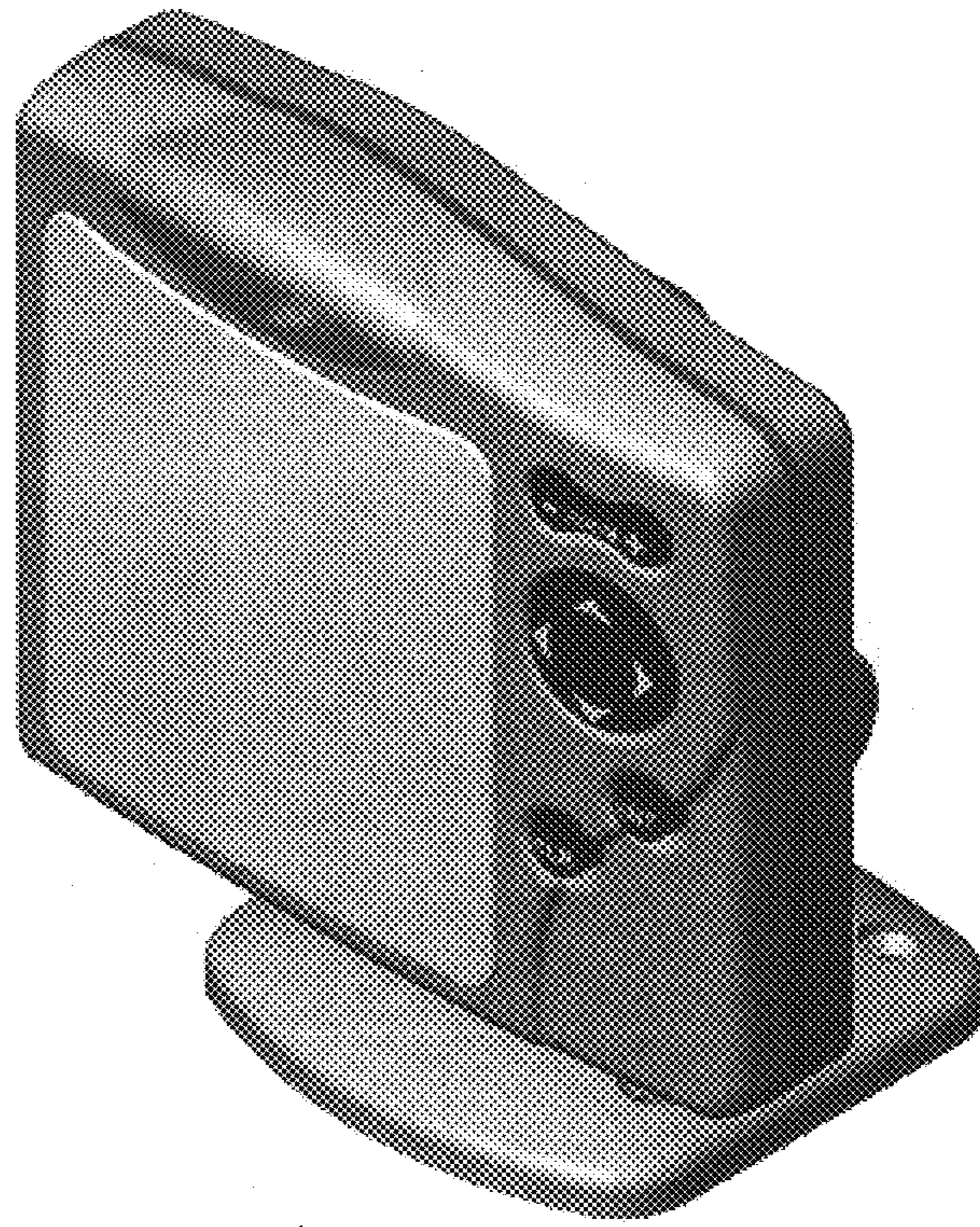


Fig. 1



Fig. 2

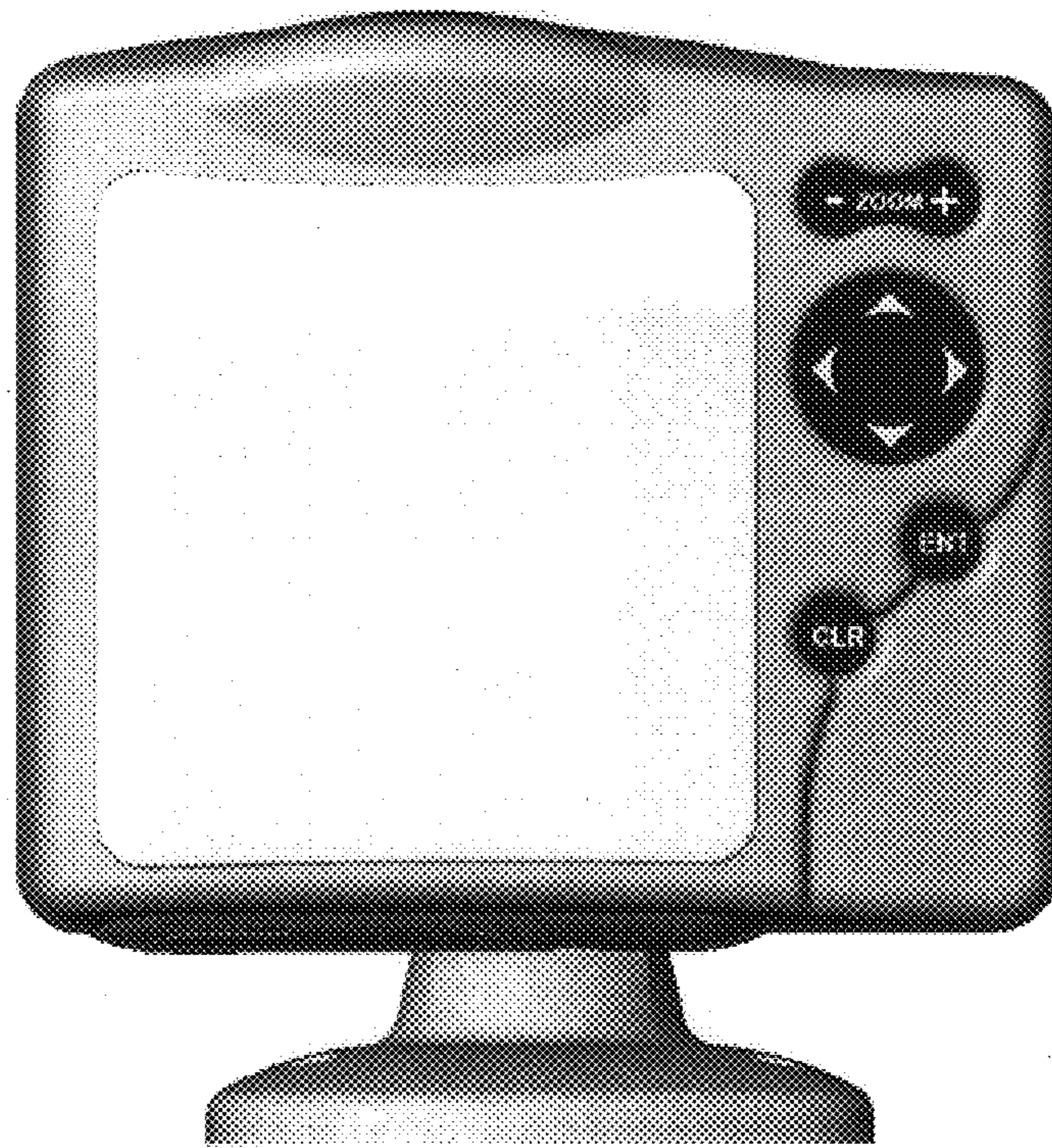


Fig. 3

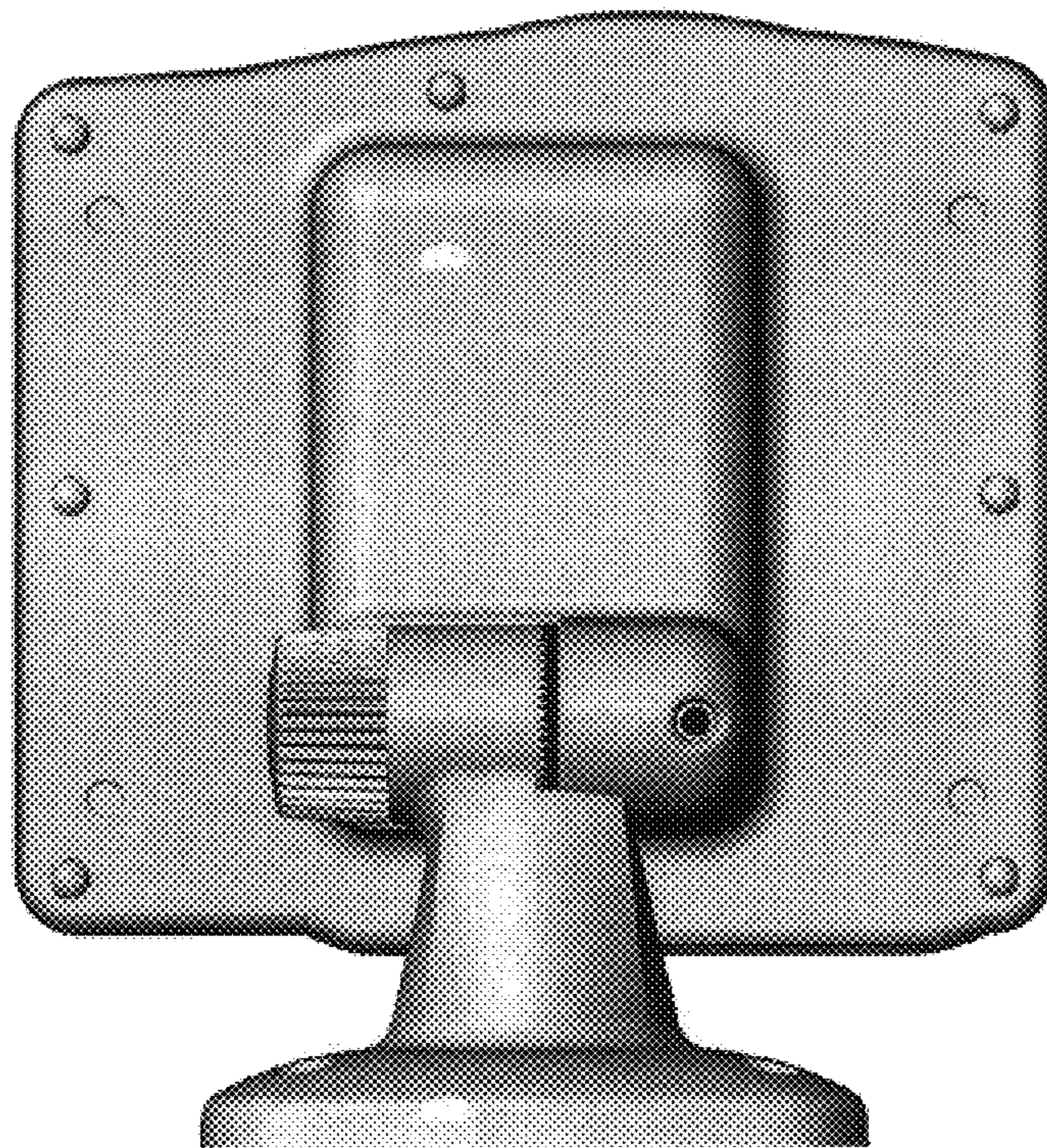


Fig. 4

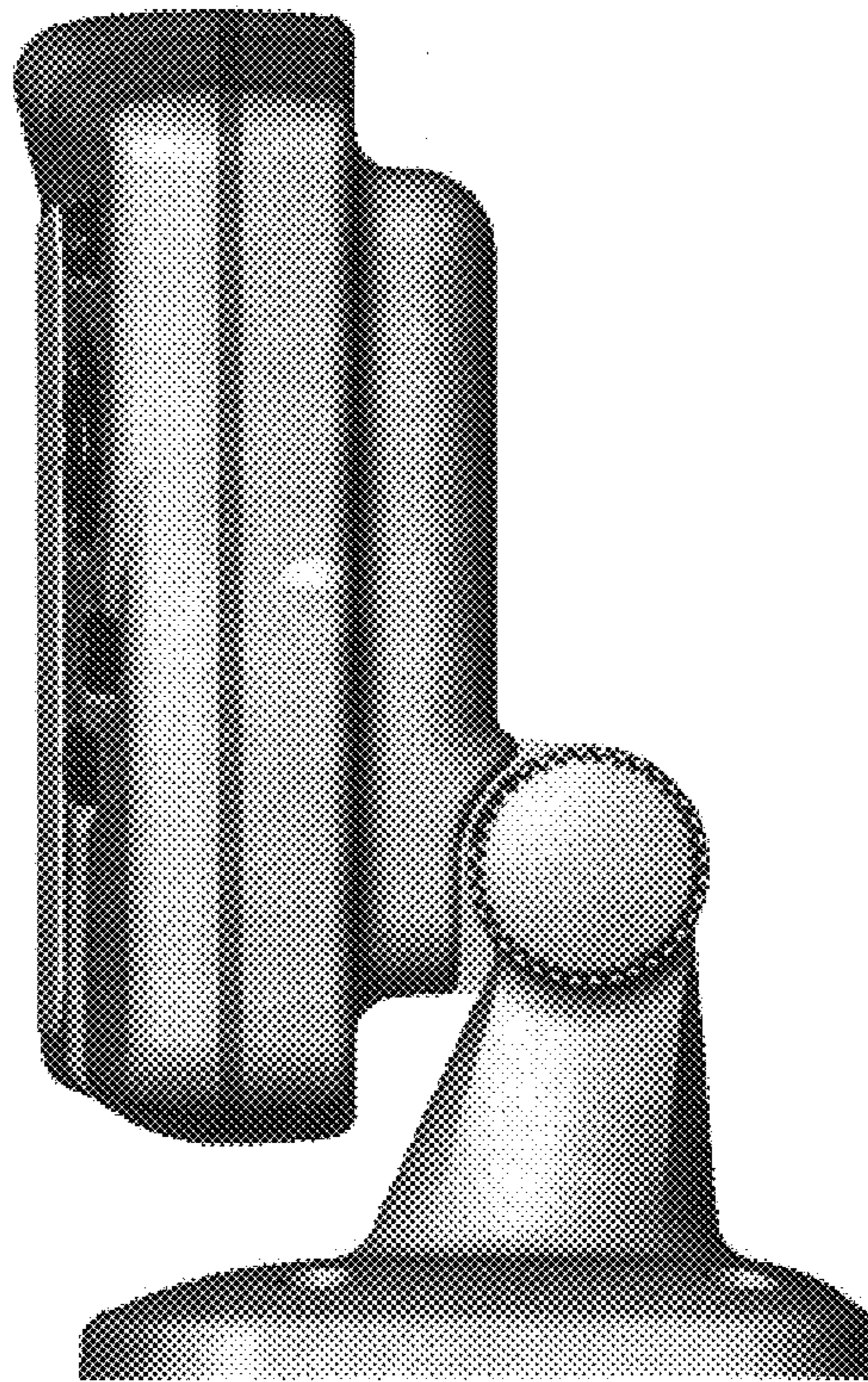


Fig. 5

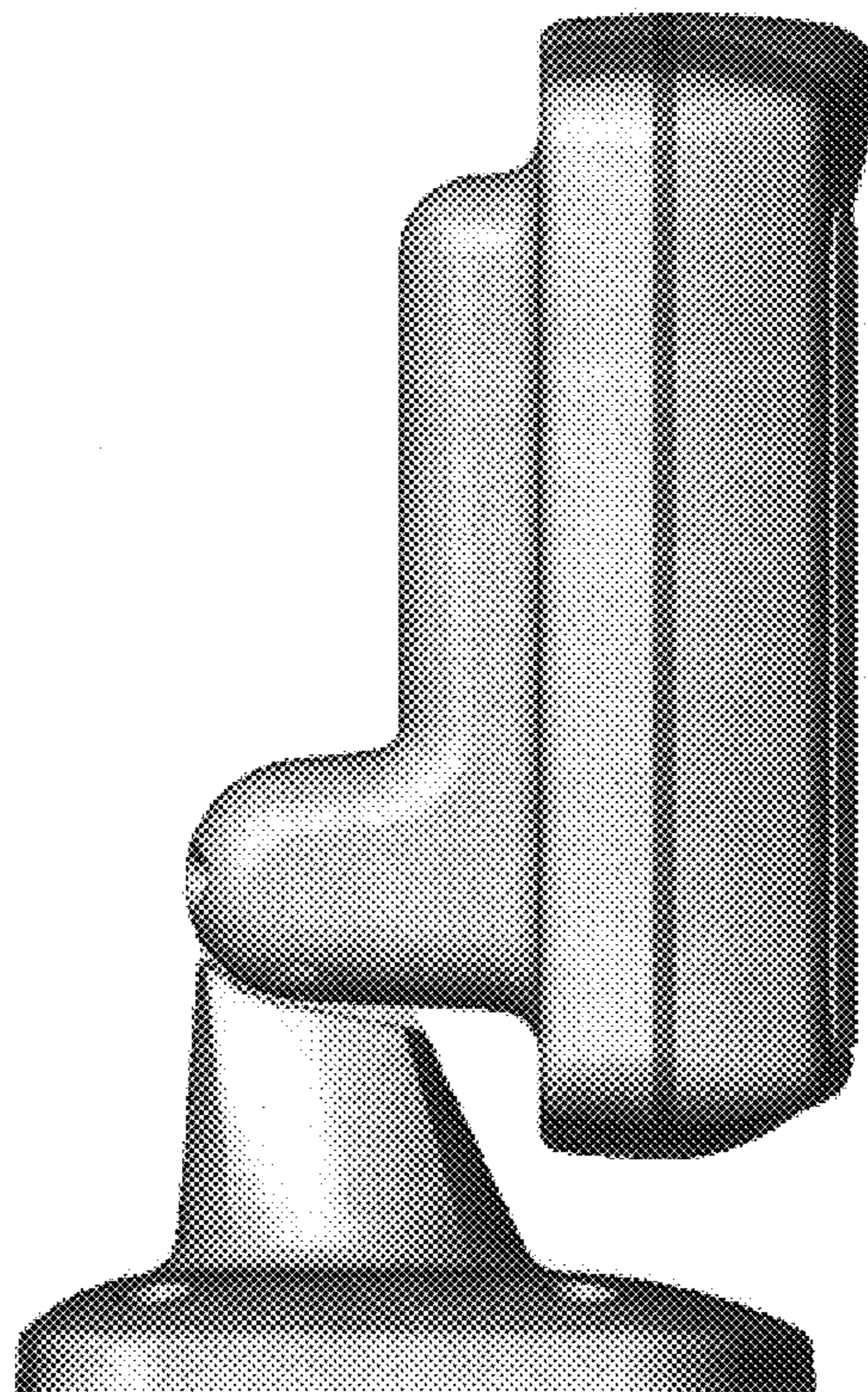


Fig. 6

Fig. 7

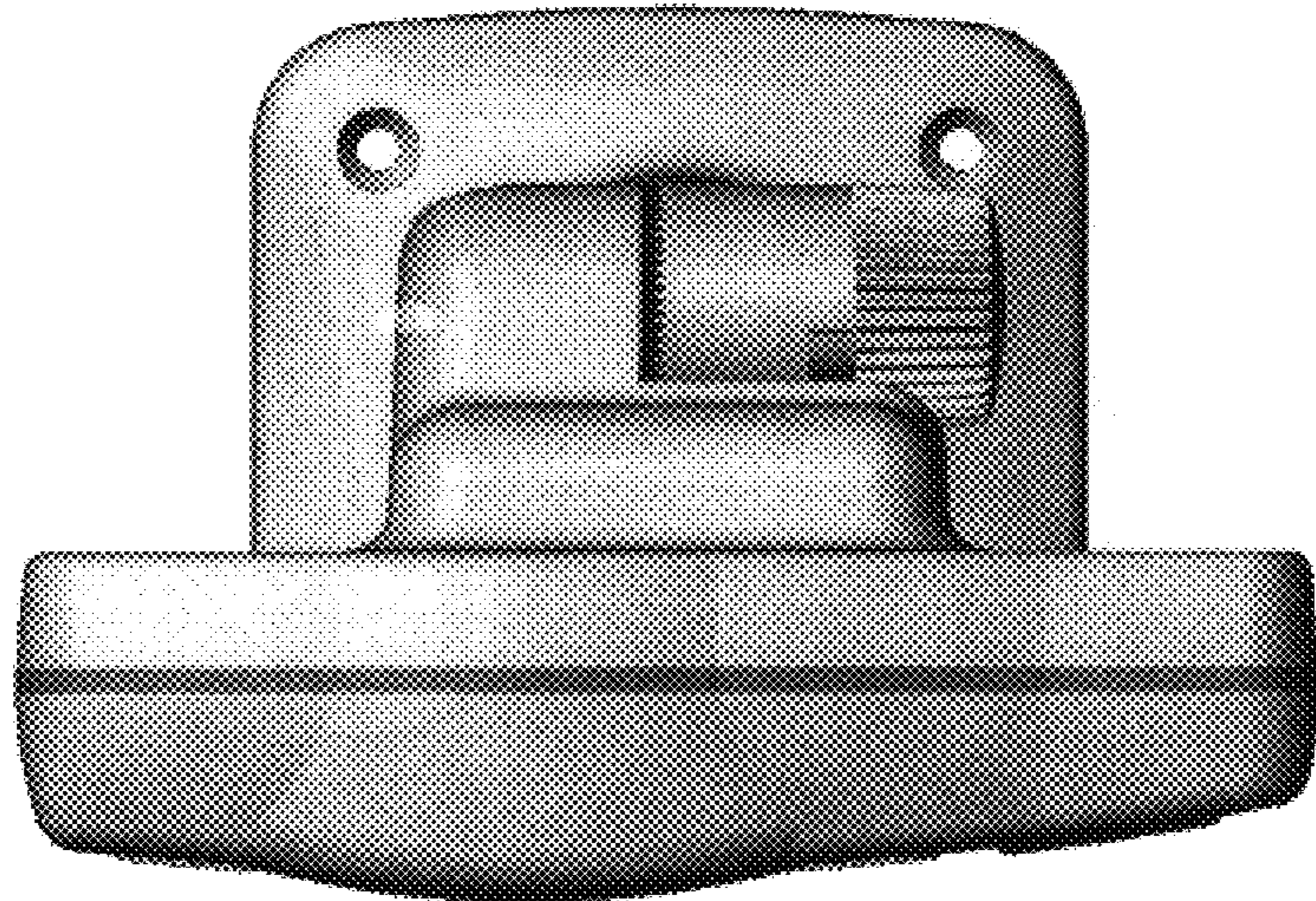


Fig. 8

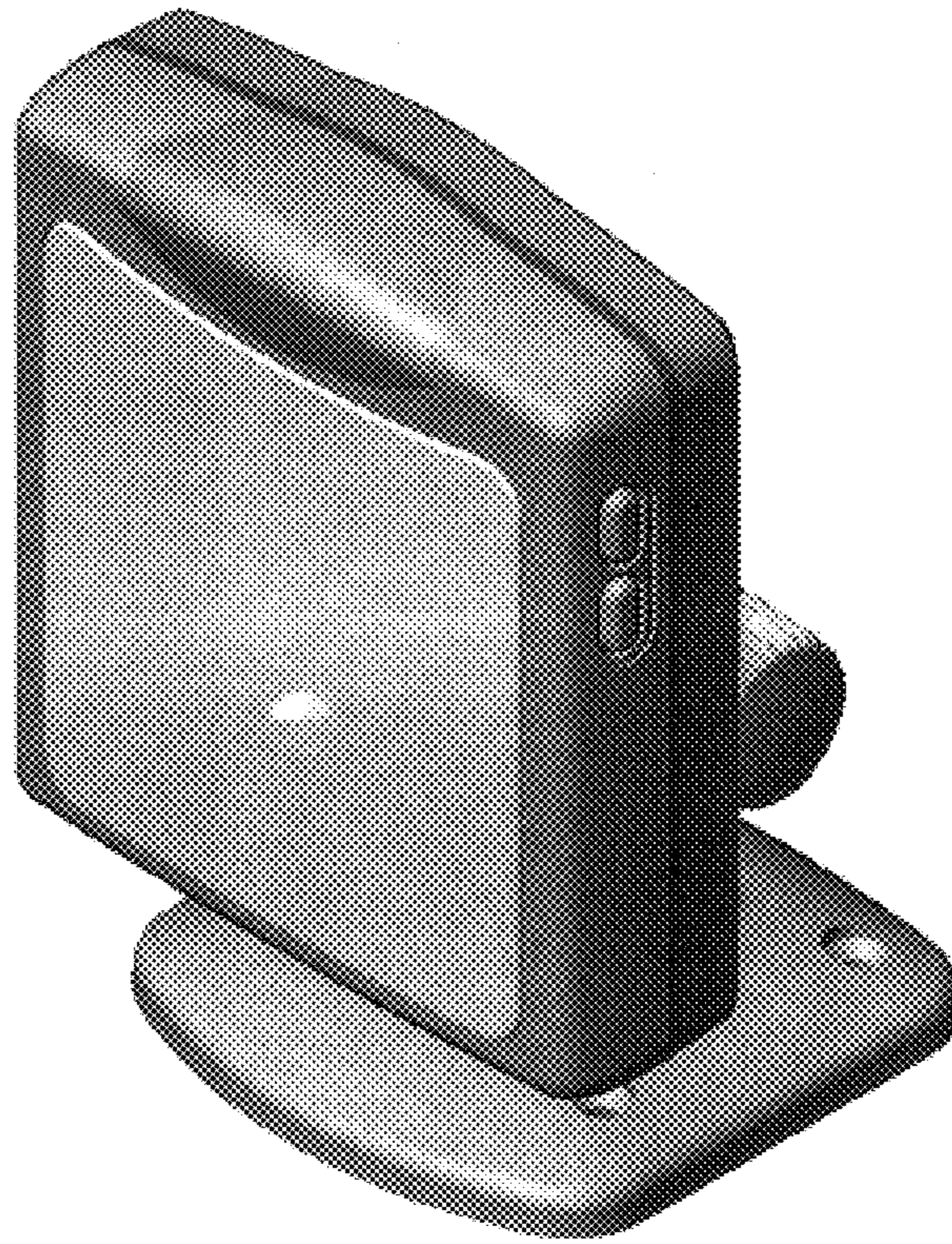


Fig. 9

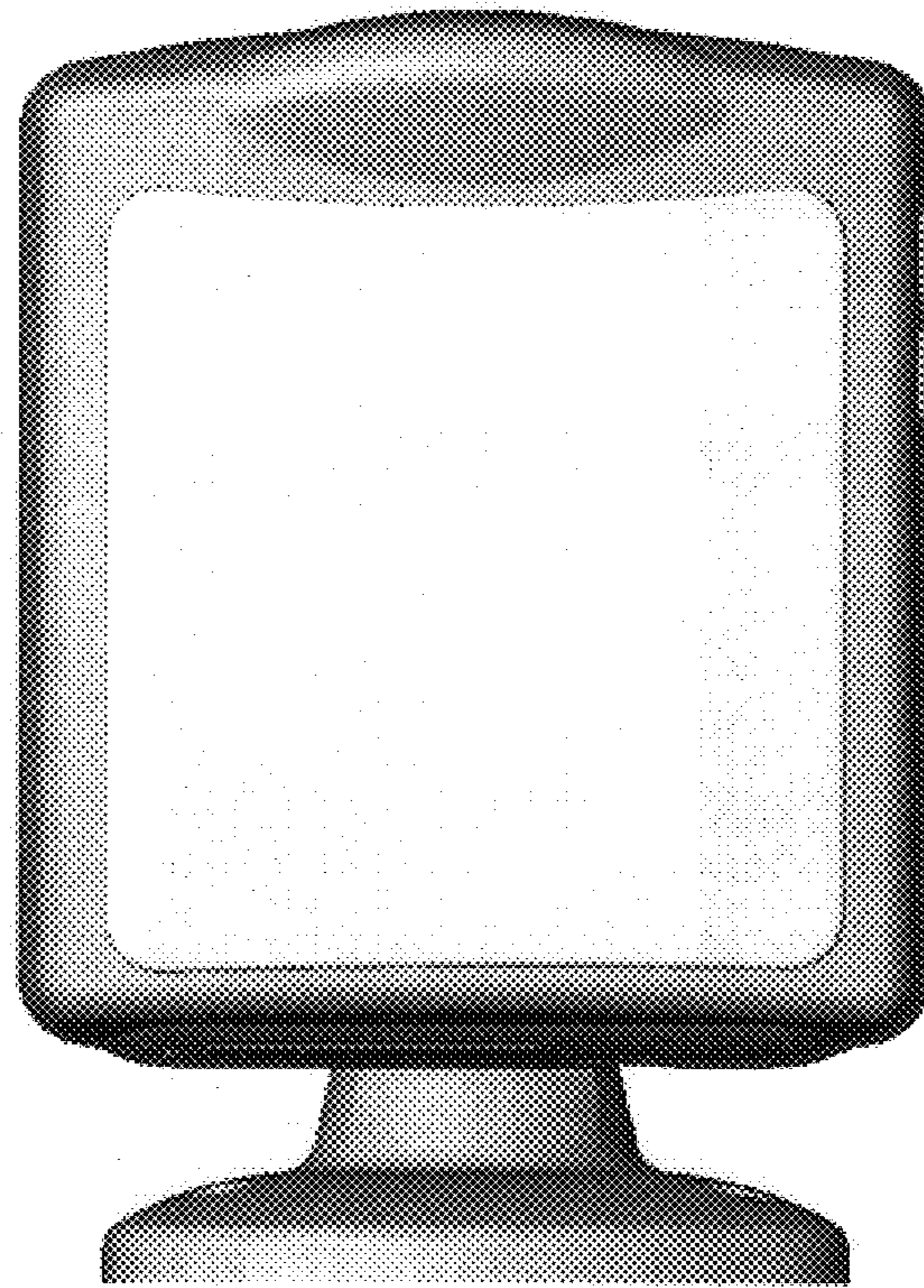


Fig. 10

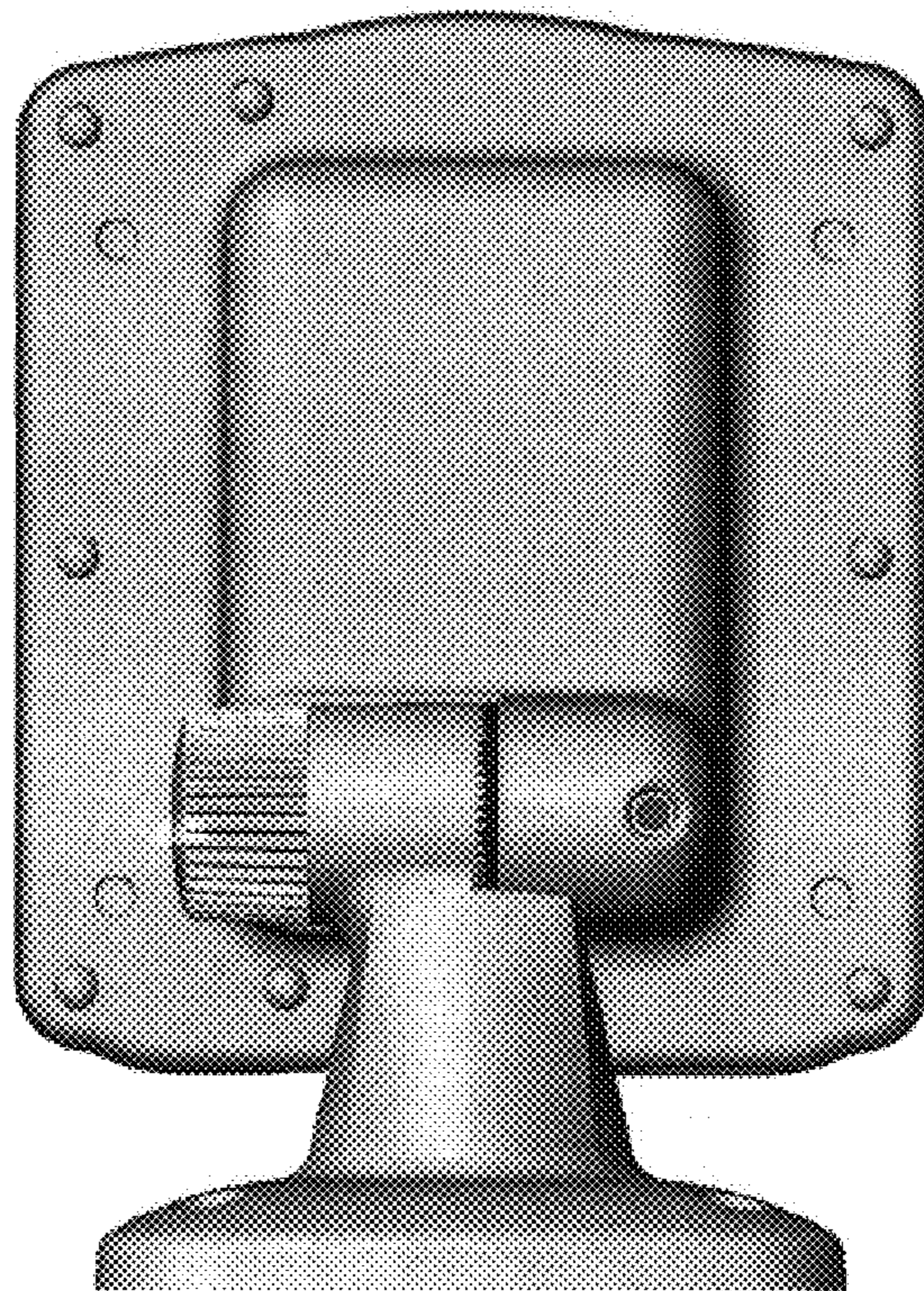


Fig. 11

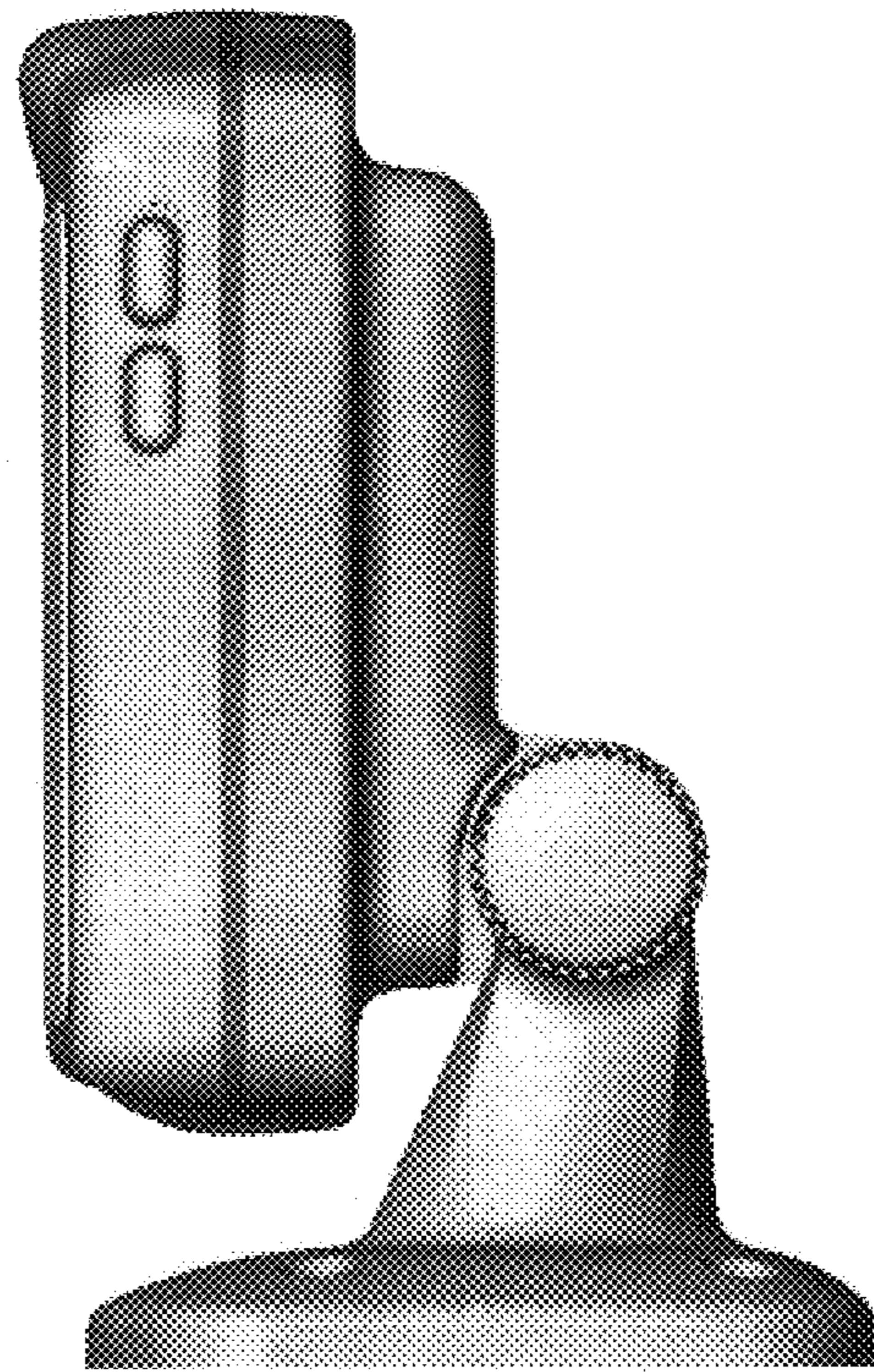


Fig. 12

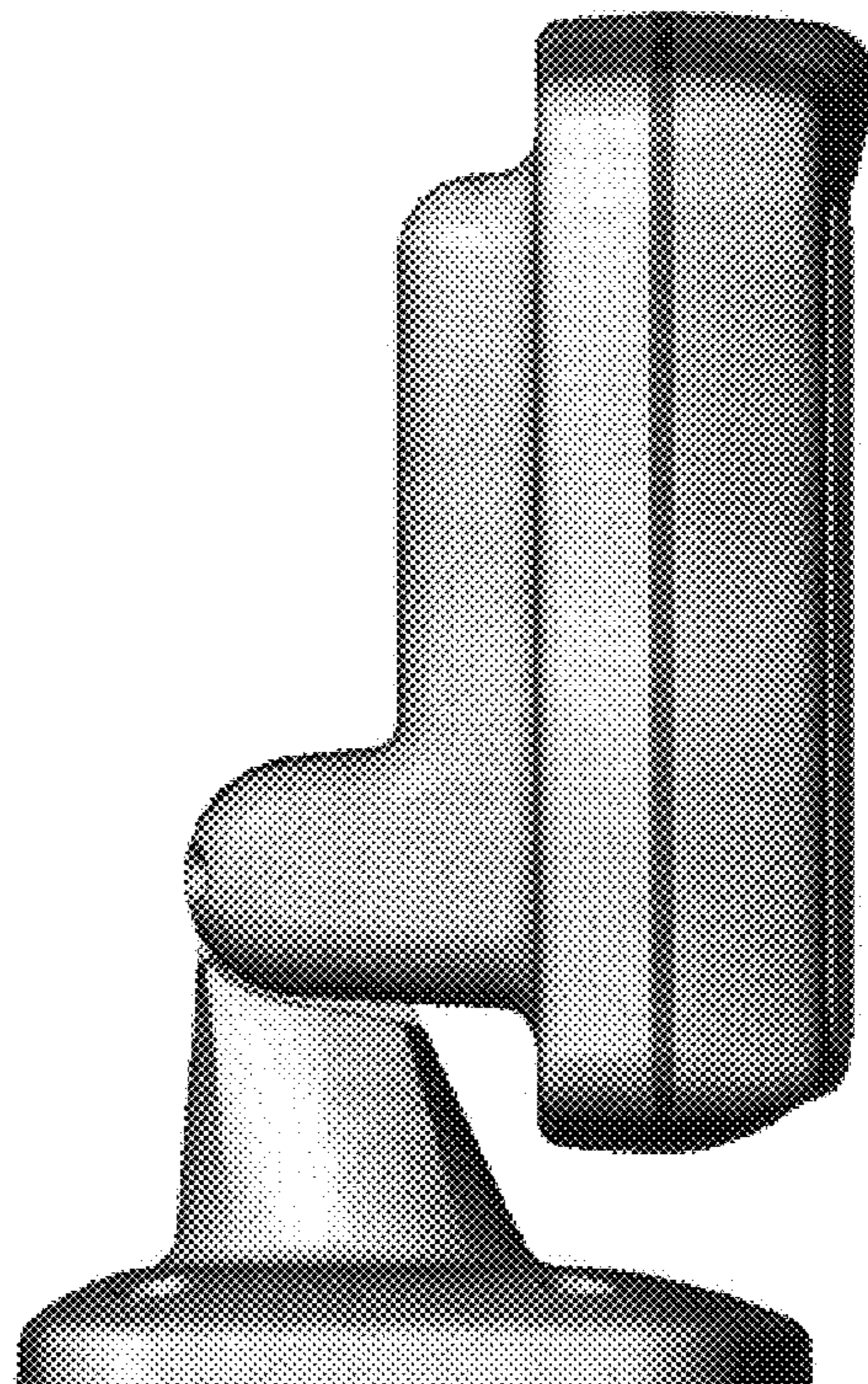


Fig. 13

Fig. 14

