



US00D422923S

**United States Patent** [19]  
**Wei**

[11] **Patent Number: Des. 422,923**

[45] **Date of Patent: \*\* Apr. 18, 2000**

[54] **THREE SPOUTED COMBINED MEASURING AND POURING CONTAINER**

D. 366,840	2/1996	Eriksson et al.	.....	D10/46.2
831,939	9/1906	Deming	.....	73/427
2,839,928	6/1958	Fohrman	.....	73/429
2,898,762	8/1959	Harrison et al.	.....	73/426

[75] Inventor: **Chamer Wei**, Framingham, Mass.

[73] Assignee: **C. Wei & Company**, Framingham, Mass.

*Primary Examiner*—Terry A. Wallace  
*Attorney, Agent, or Firm*—Sharon L. Day

[\*\*] Term: **14 Years**

[57] **CLAIM**

[21] Appl. No.: **29/106,131**

The ornamental design for a three spouted combined measuring and pouring container, as shown and described.

[22] Filed: **Jun. 9, 1999**

**DESCRIPTION**

[51] **LOC (6) Cl.** ..... **10-04**

[52] **U.S. Cl.** ..... **D10/46.2**

[58] **Field of Search** ..... D10/46.2, 46.3;  
D24/121, 224; 73/426-429; 222/129, 129.4,  
158

FIG. 1 is a top, front, right first side elevation view of a three spouted combined measuring and pouring container.  
FIG. 2 is a second side elevation view thereof.  
FIG. 3 is a third side elevation view thereof.  
FIG. 4 is a top plan view thereof; and,  
FIG. 5 is a bottom plan view thereof.

[56] **References Cited**

**U.S. PATENT DOCUMENTS**

D. 289,960 5/1987 Eicher et al. .... D10/46.2

**1 Claim, 3 Drawing Sheets**

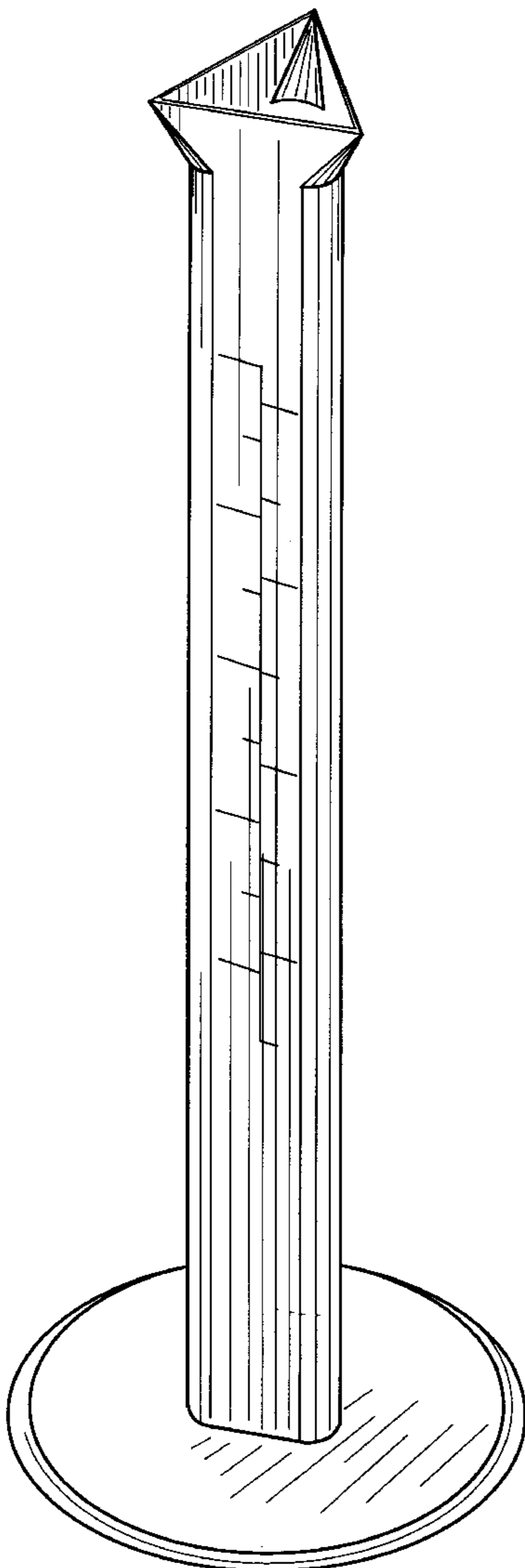


FIGURE 1

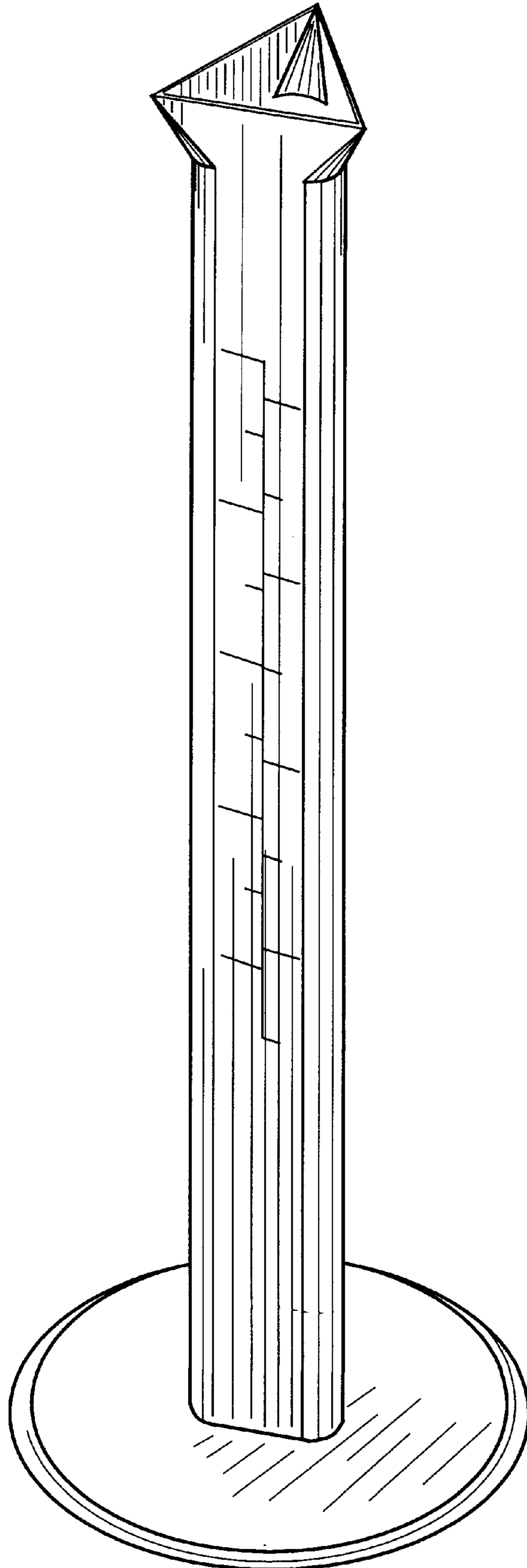


FIGURE 2

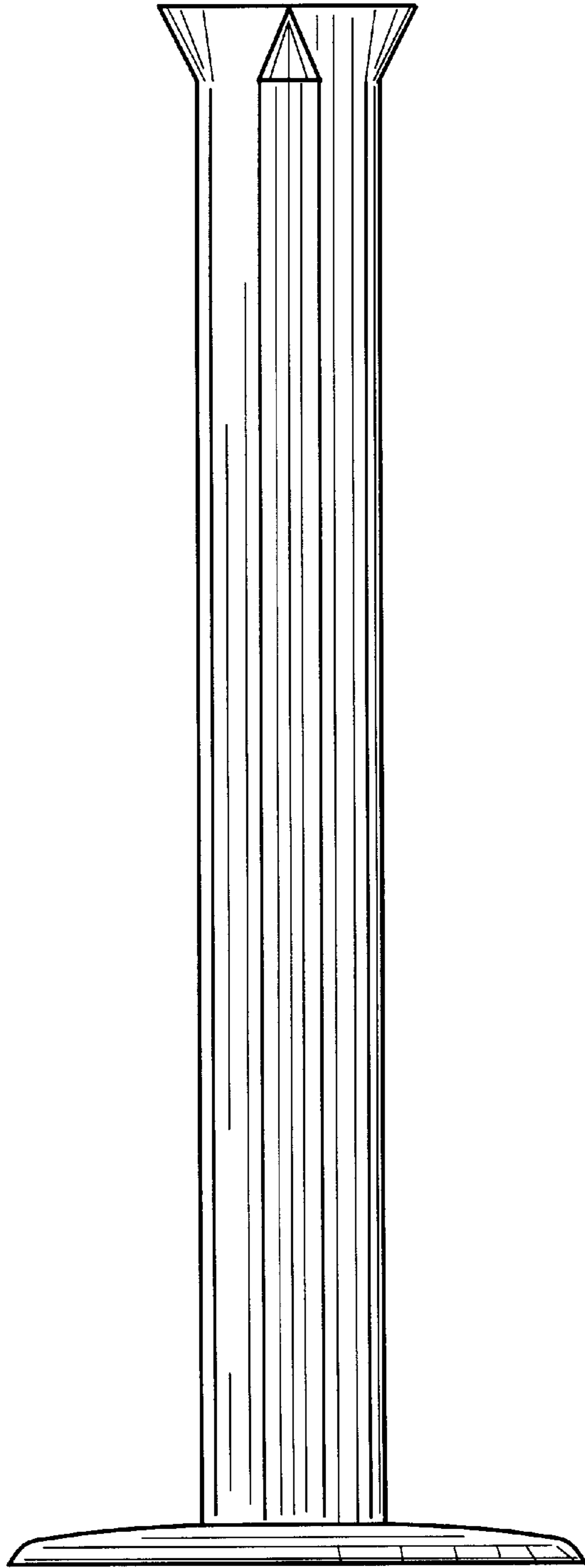


FIGURE 3

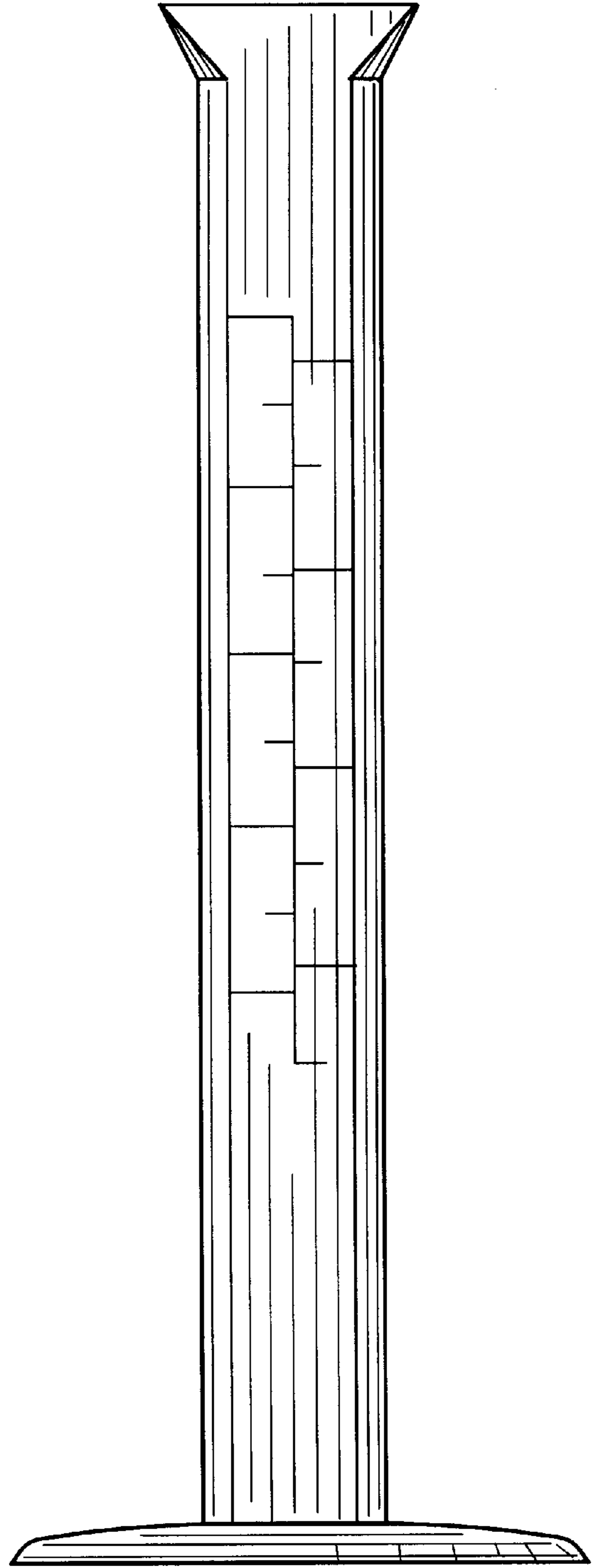


FIGURE 4

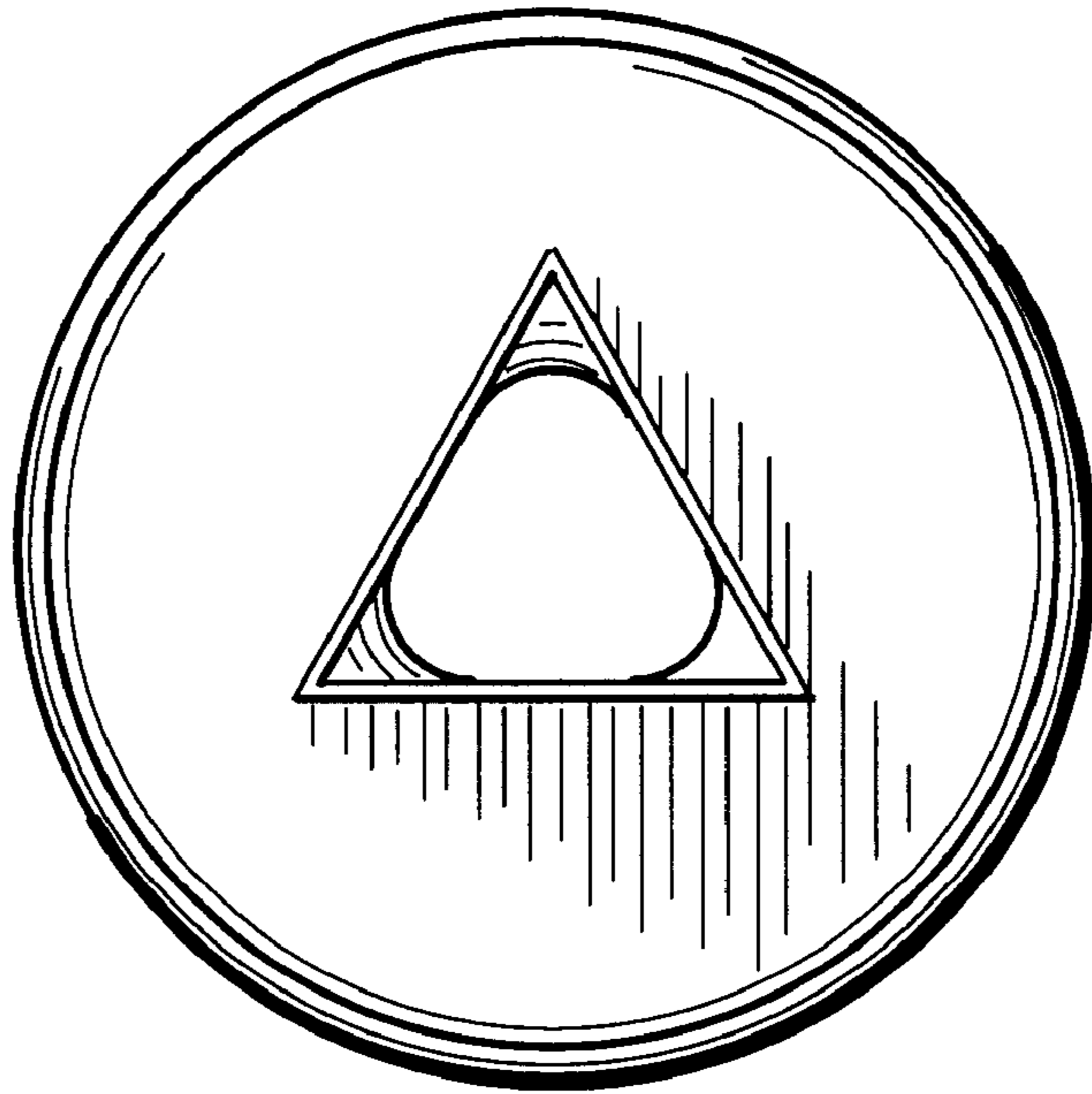


FIGURE 5

