



US00D422917S

# United States Patent [19] Van Herrewegen

[11] Patent Number: Des. 422,917

[45] Date of Patent: \*\* Apr. 18, 2000

[54] CAN

[75] Inventor: Peter Gerard Van Herrewegen,  
Amsterdam, Netherlands

[73] Assignee: Hoogovens Staal BV, JZ Velsen-Noord,  
Netherlands

[\*\*] Term: 14 Years

[21] Appl. No.: 29/095,160

[22] Filed: Oct. 16, 1998

### [30] Foreign Application Priority Data

Apr. 16, 1998 [XH] Hague Agreement ..... DM/043718

[51] LOC (6) Cl. .... 09-03

[52] U.S. Cl. .... D9/506

[58] Field of Search ..... D9/416, 438, 500,  
D9/503-504, 510, 518-520, 538, 554, 559-560,  
569, 571-573, 506, 424; 215/255; 220/359.1,  
359.2, 269-270, 272, 906; D7/627, 612

### [56] References Cited

#### U.S. PATENT DOCUMENTS

D. 85,690 12/1931 Enderlin ..... D9/569  
D. 262,518 1/1982 Cottrell ..... D9/520

(List continued on next page.)

#### OTHER PUBLICATIONS

Packaging Catalog, p. 176, Dry product containers, center top of page, rectangular container #4, c. 1994.

Primary Examiner—Ted Shooman

Assistant Examiner—Carol Rademaker

Attorney, Agent, or Firm—Stevens, Davis, Miller & Mosher, L.L.P.

### [57] CLAIM

The ornamental design for a can, as shown and described.

### DESCRIPTION

FIG. 1 is a perspective view of the top front and one side of the first embodiment of a can having a rectangular cross-sectional shape as best illustrated in FIGS. 4 & 5;

FIG. 2 is a front view of the first and second embodiments of a can wherein the second embodiment has a square cross-sectional shape as best illustrated in FIG. 13, it being understood that the rear of these two embodiments and the right and left side of the second embodiment are the same as that shown;

FIG. 3 is a right side view of the first embodiment of FIG. 1, the left side being identical thereto;

FIG. 4 is a top view of the first embodiment of FIG. 1, it being understood that the broken line showing for an opening tab is for illustrative purposes only and forms no part of the claimed design.

FIG. 5 is a bottom view of the first embodiment of FIG. 1;

FIG. 6 is a cross-sectional view through line 6—6 of FIG. 1; FIG. 7 is a perspective view of the top front and one side of the third embodiment of a can having a rectangular cross-sectional shape, it being understood that the top and bottom views are the same as the first embodiment as shown in FIGS. 4 & 5;

FIG. 8 is a perspective view of the top front and one side of the fourth embodiment of a can having a rectangular cross-sectional shape, it being understood that the top and bottom views are the same as the first embodiment as shown in FIGS. 4 & 5;

FIG. 9 is a front view of the third and fifth embodiments of a can wherein the fifth embodiment has a square cross-sectional shape as best illustrated in FIG. 13, it being understood that the rear of these two embodiments and the right and left side of the fifth embodiment are the same as that shown;

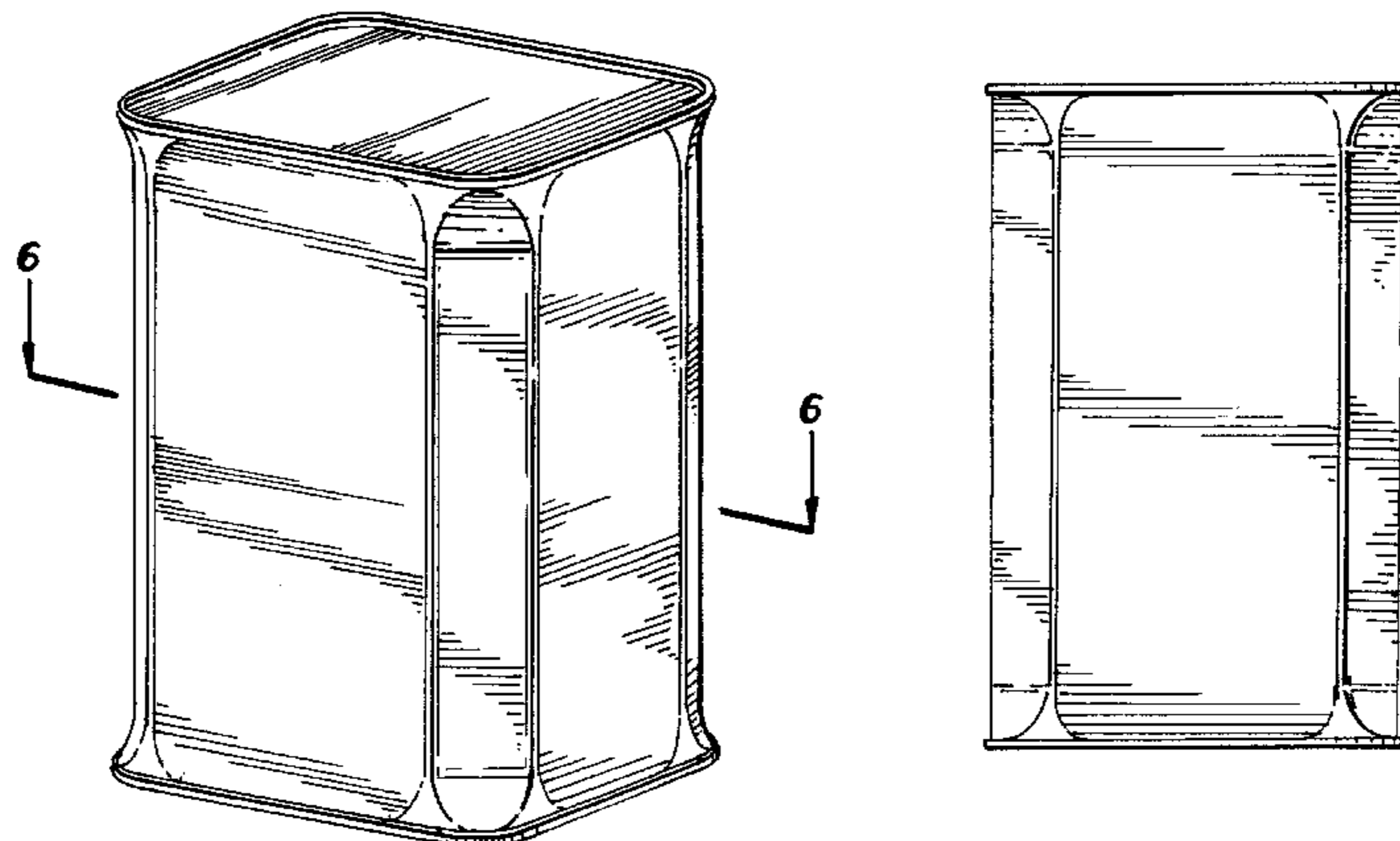
FIG. 10 is a right side view of the third embodiment of FIG. 7, the left side being identical thereto;

FIG. 11 is a front view of the fourth and sixth embodiment of a can wherein the sixth embodiment has a square cross-sectional shape as best illustrated in FIG. 13, it being understood that the rear of these two embodiments and the right and left side of the sixth embodiment are the same as that shown;

FIG. 12 is a right side view of the fourth embodiment of FIG. 8, the left side being identical thereto; and,

FIG. 13 is a bottom view of the second, fifth, and sixth embodiments of the can shown in FIGS. 2, 9, & 11, it being understood that the top view is identical thereto.

1 Claim, 3 Drawing Sheets



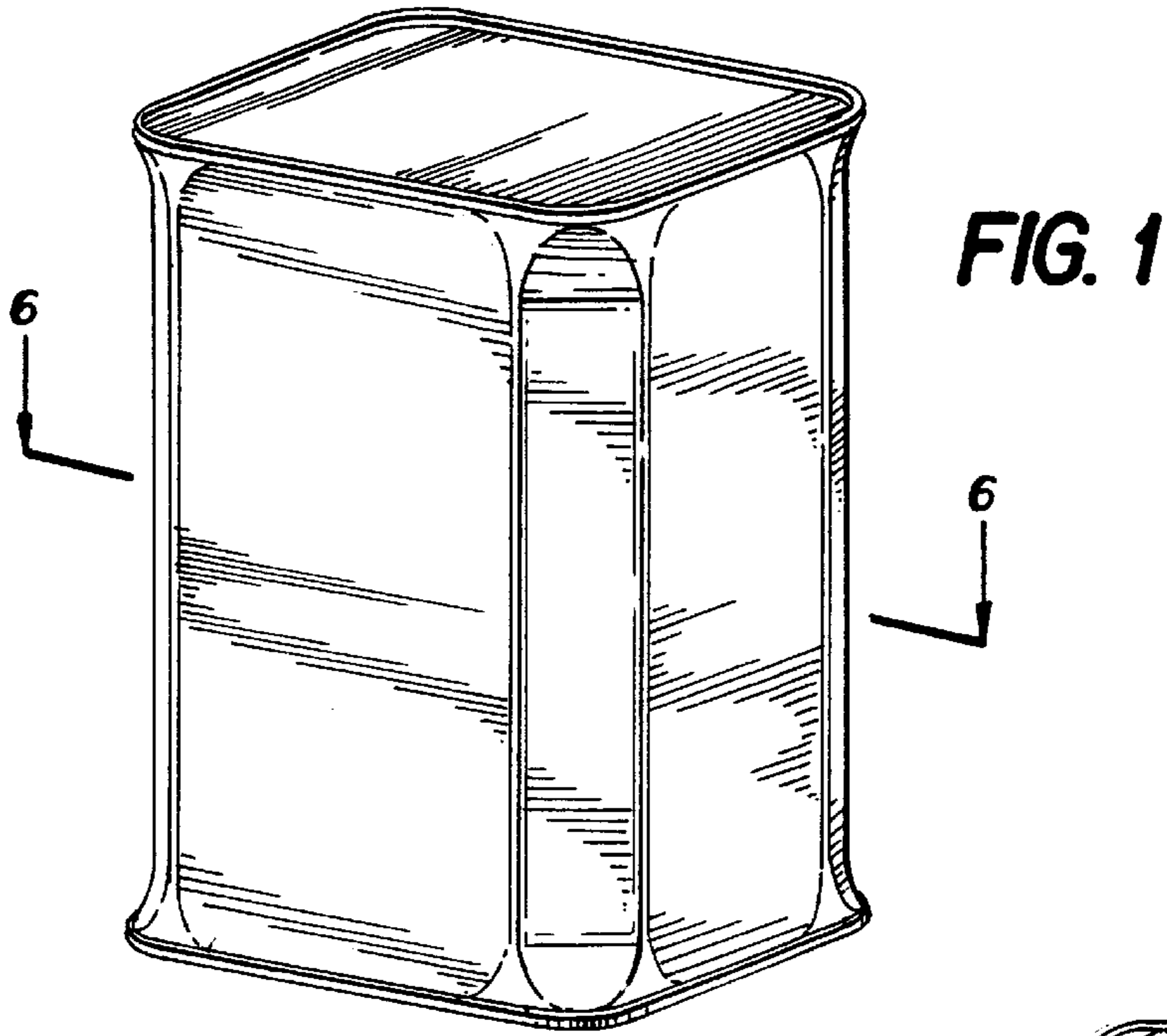
# Des. 422,917

Page 2

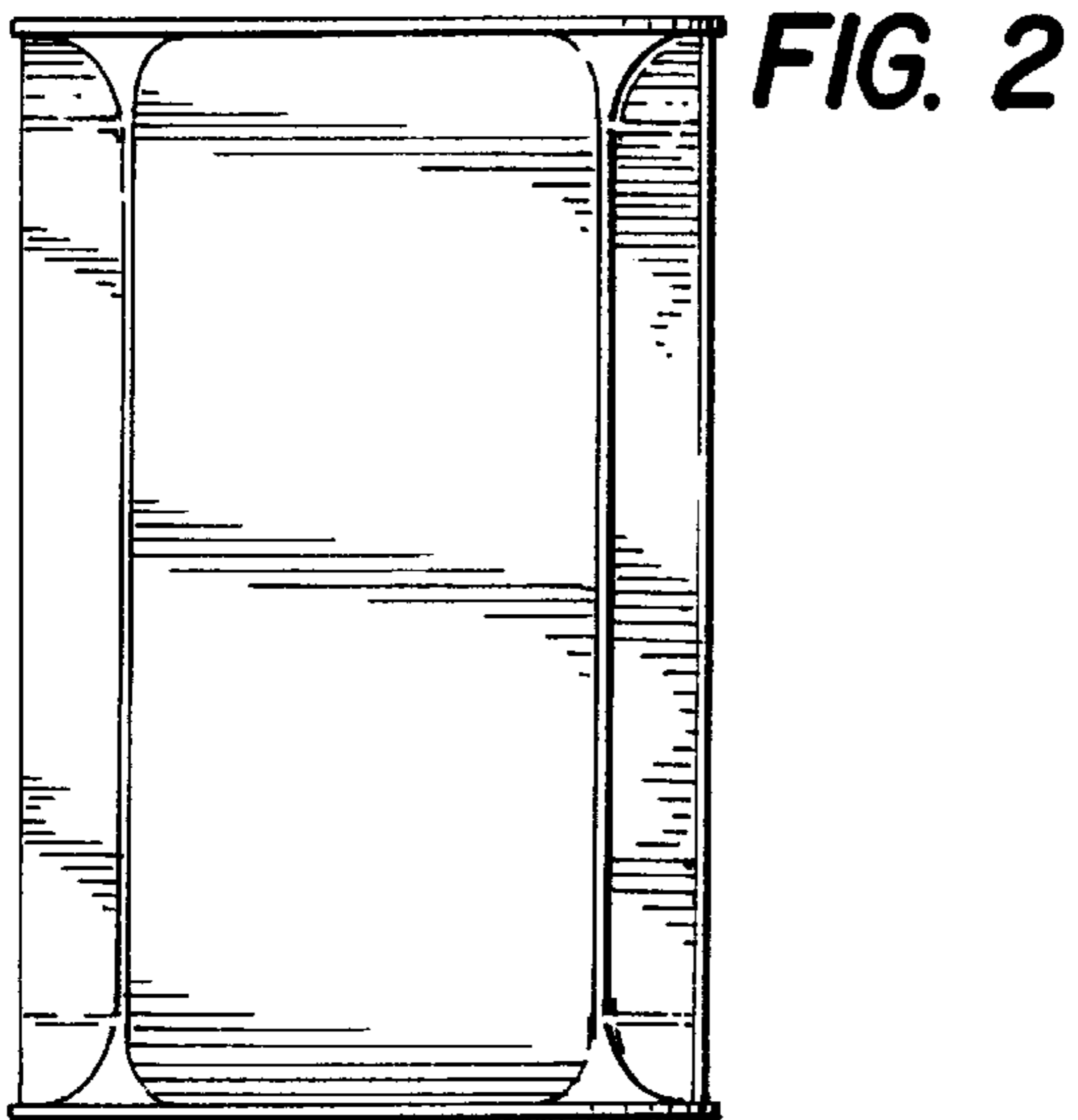
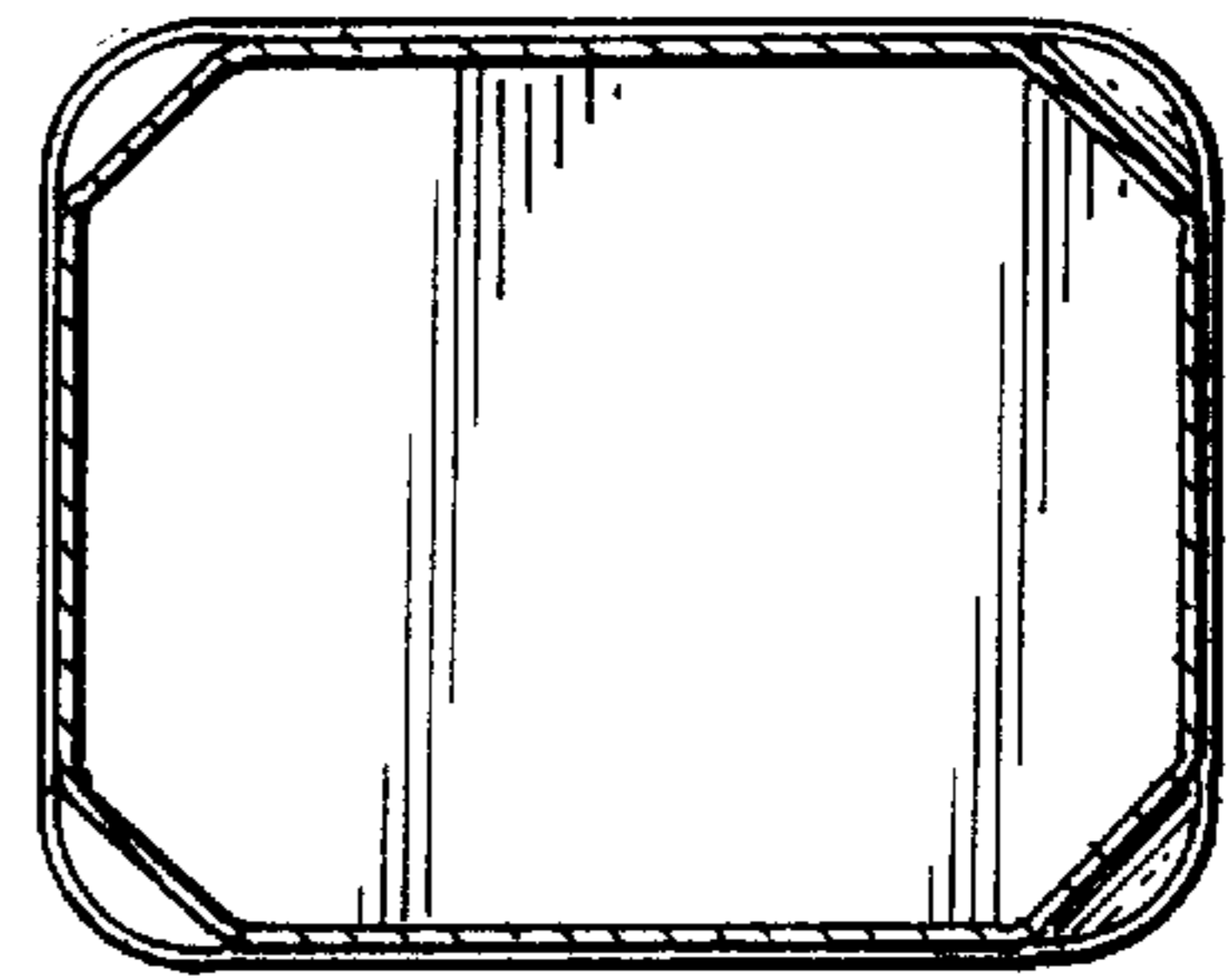
---

## U.S. PATENT DOCUMENTS

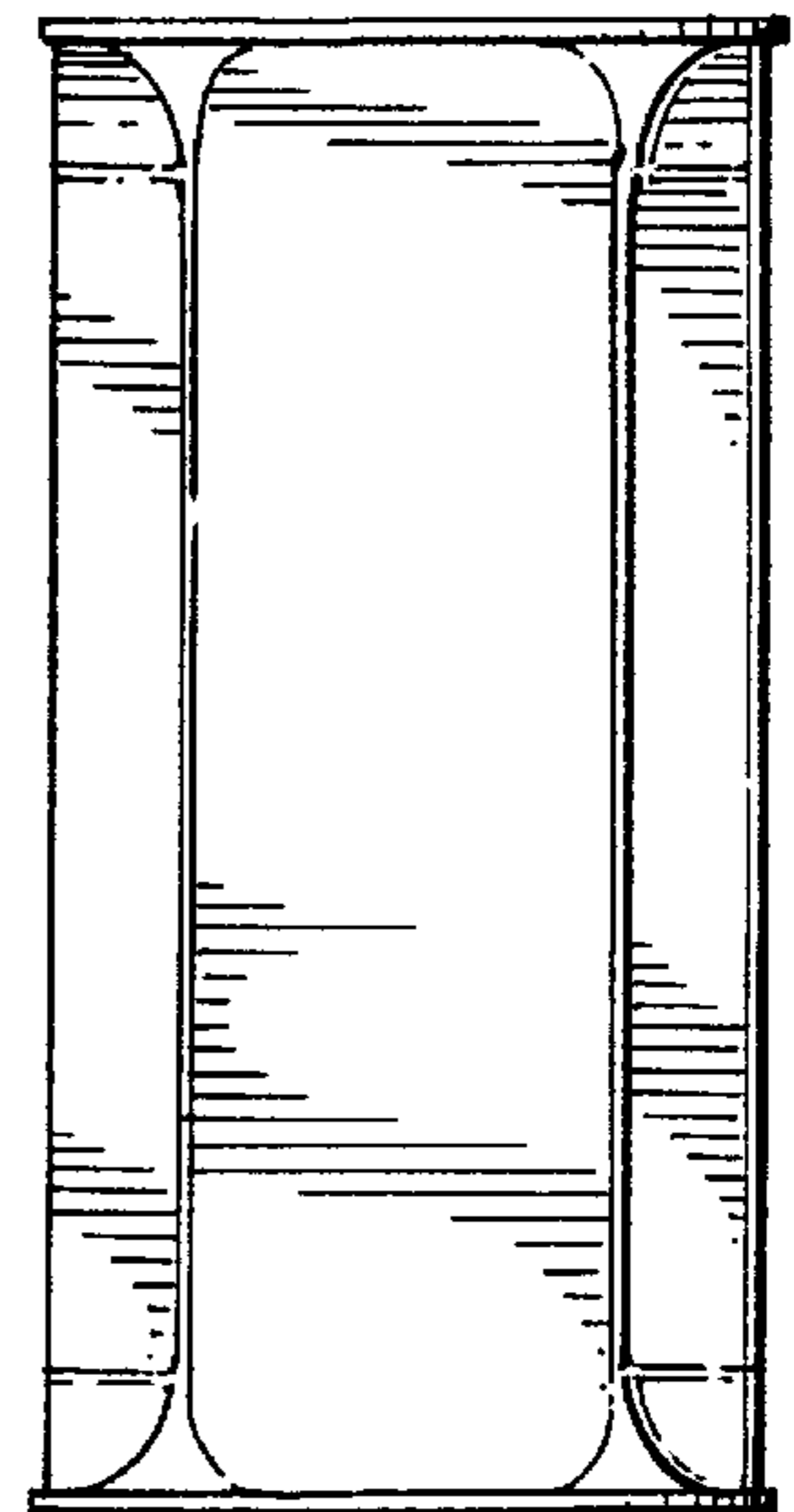
D. 264,439	5/1982	Hasegawa .....	220/906	D. 364,815	12/1995	Wallace .....	D9/518
D. 304,686	11/1989	Jarrin .....	D9/518	1,160,900	11/1915	Obenchain et al. ....	229/104
D. 332,399	1/1993	Neff .....	D9/430	2,523,251	9/1950	Pantalone et al. ....	229/109
D. 344,234	2/1994	Kaplan .....	D9/430	2,838,220	6/1958	Oppenheimer et al. ....	D9/560
				3,145,906	8/1964	Corrinet .....	220/270
				4,938,374	7/1990	Wuchterl .....	220/906

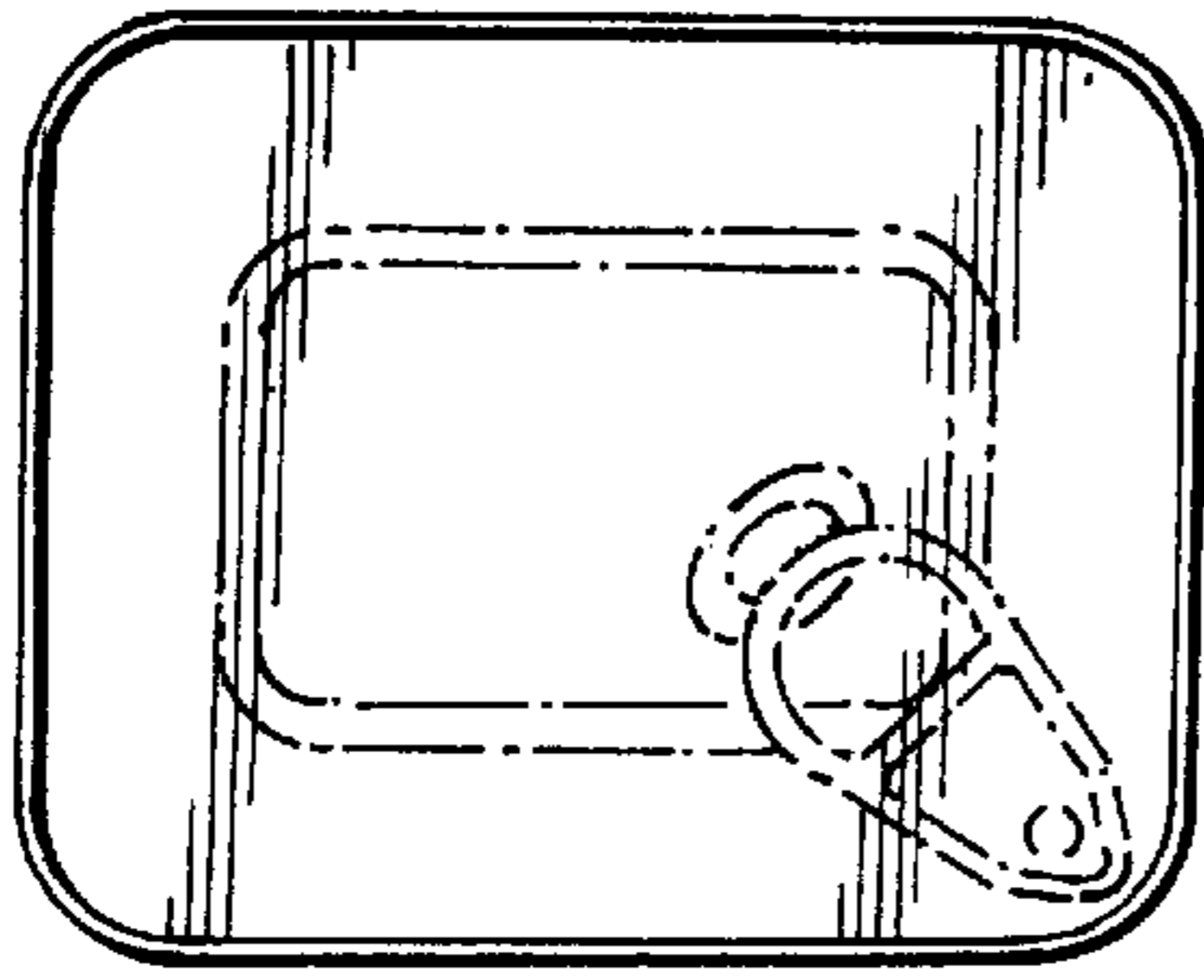


**FIG. 6**

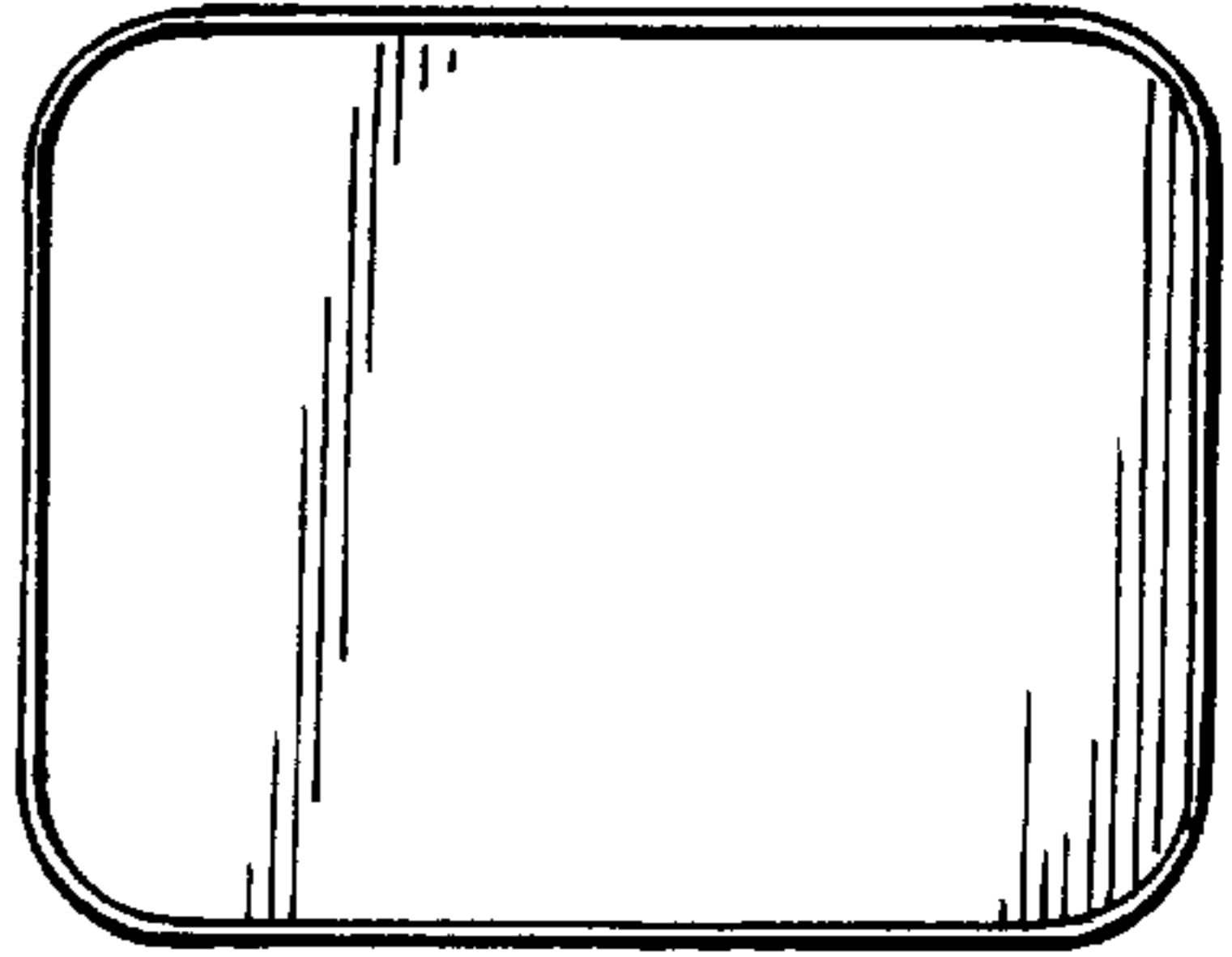


**FIG. 3**



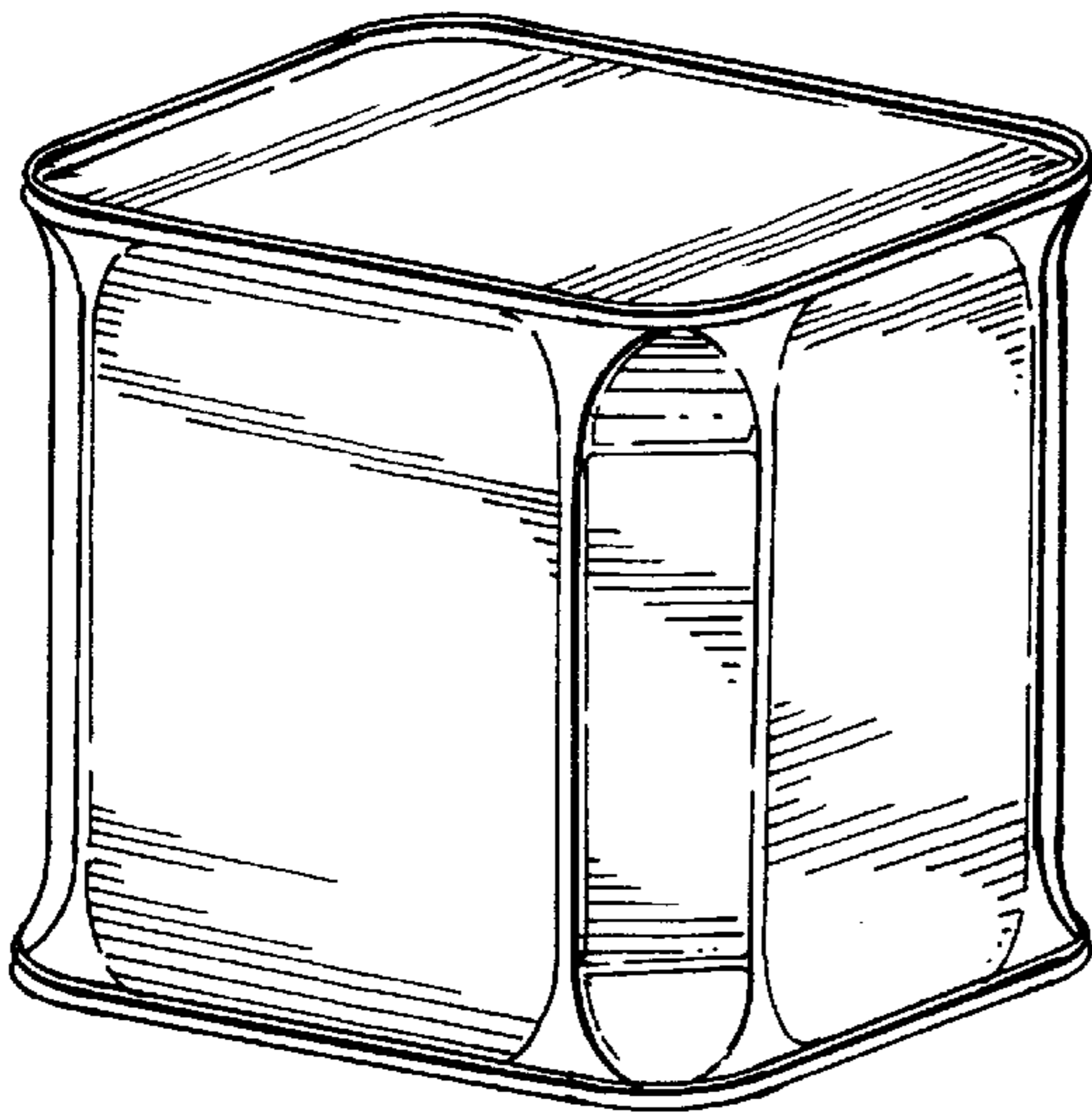


**FIG. 4**

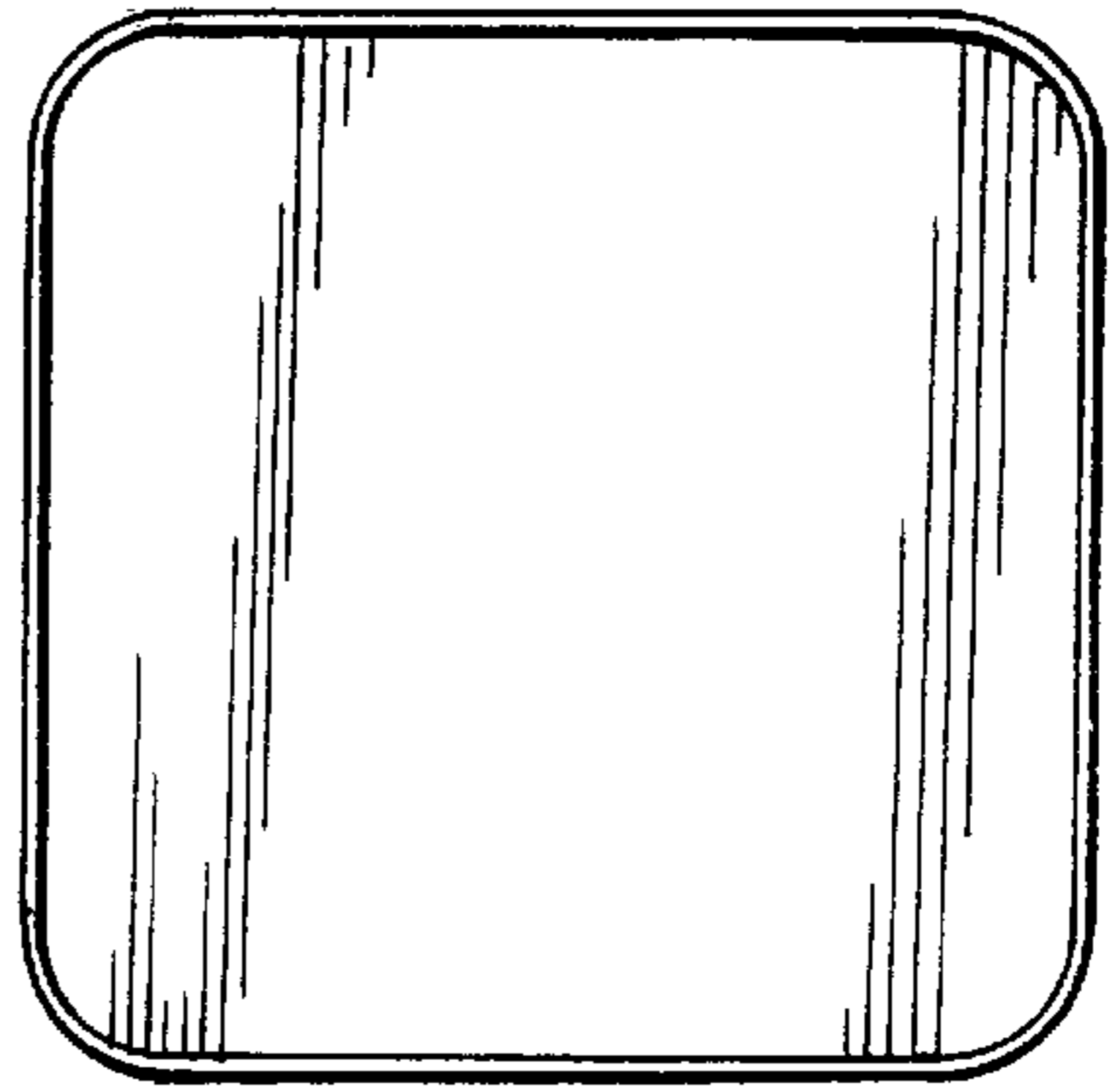


**FIG. 5**

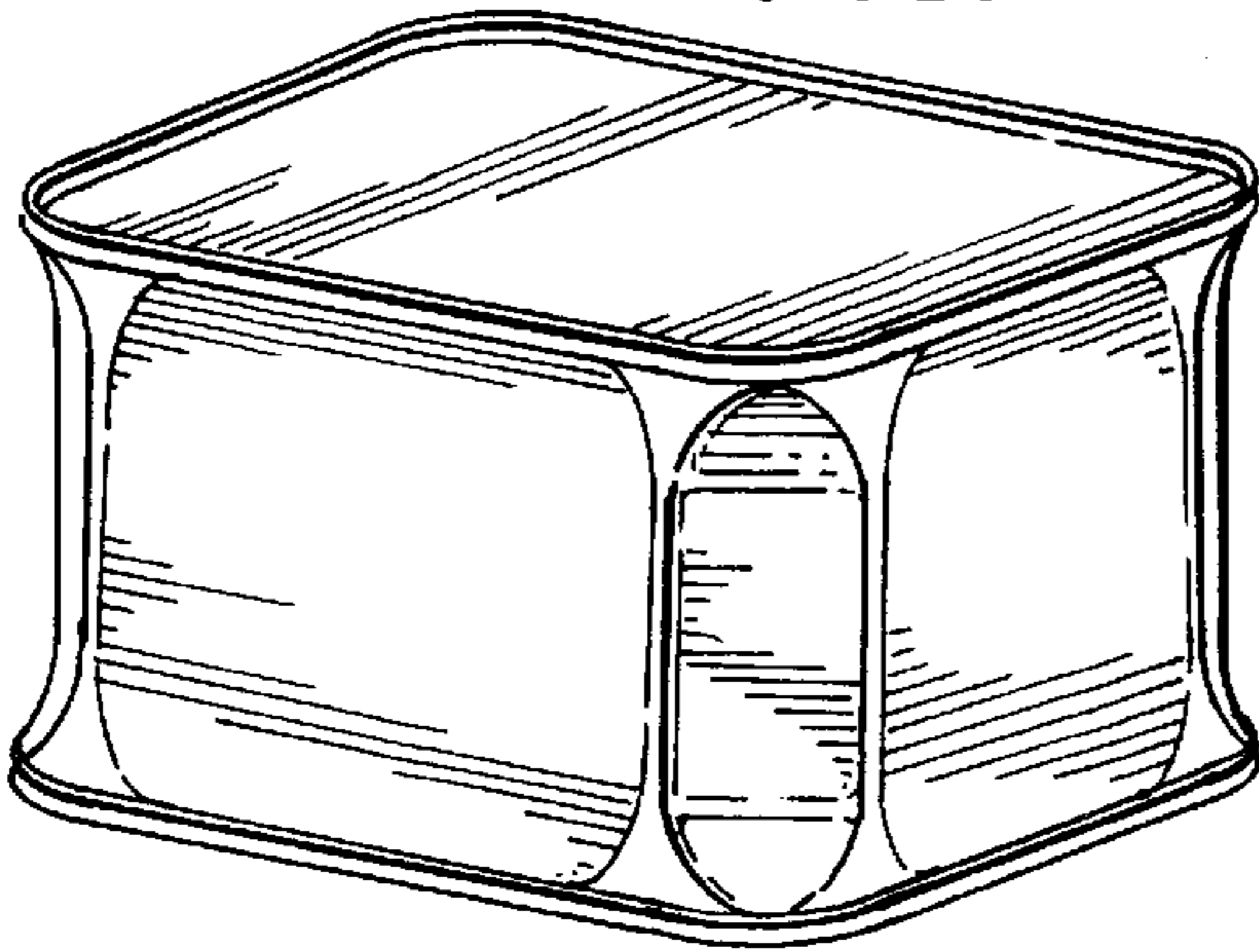
**FIG. 7**

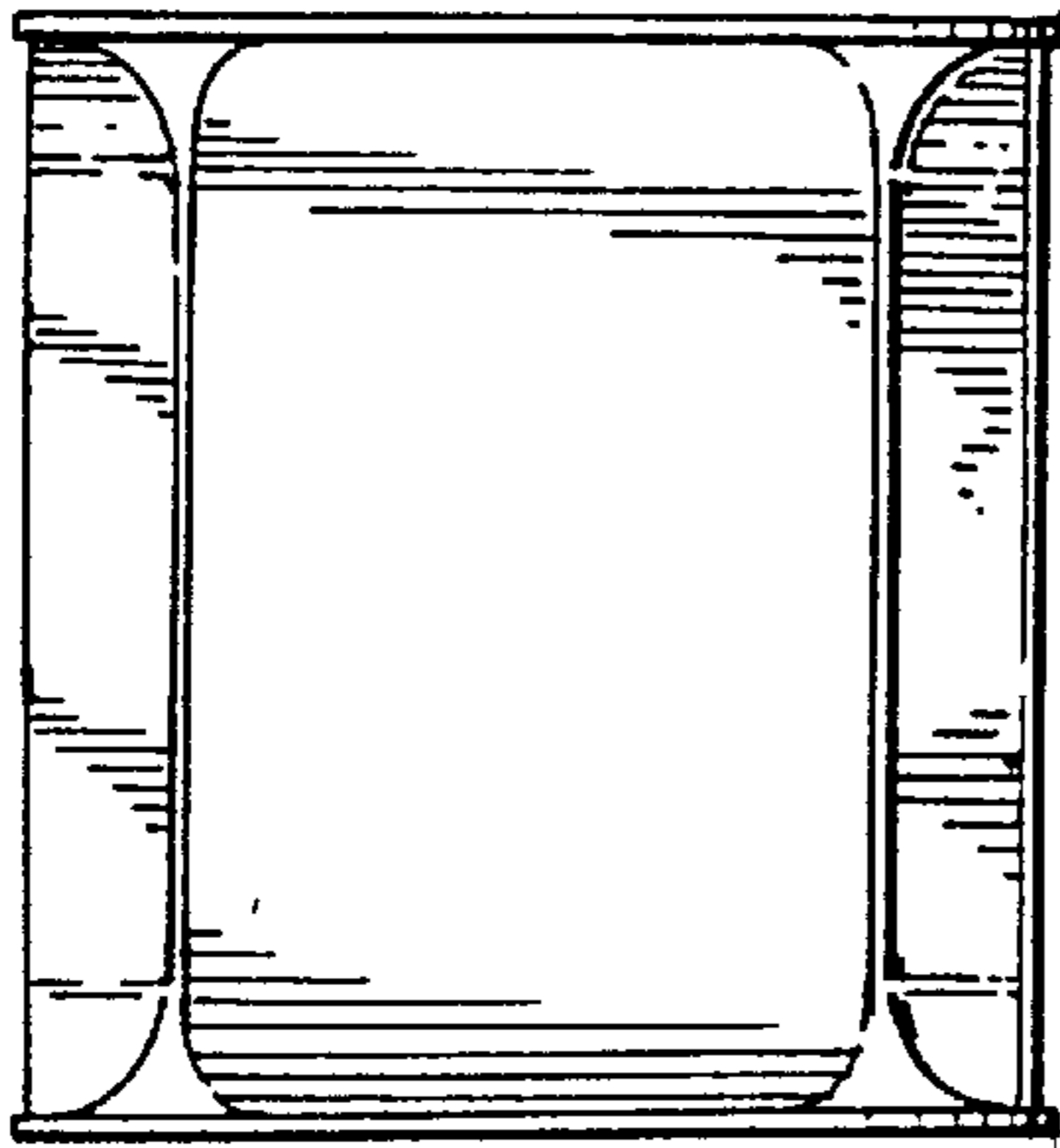


**FIG. 13**

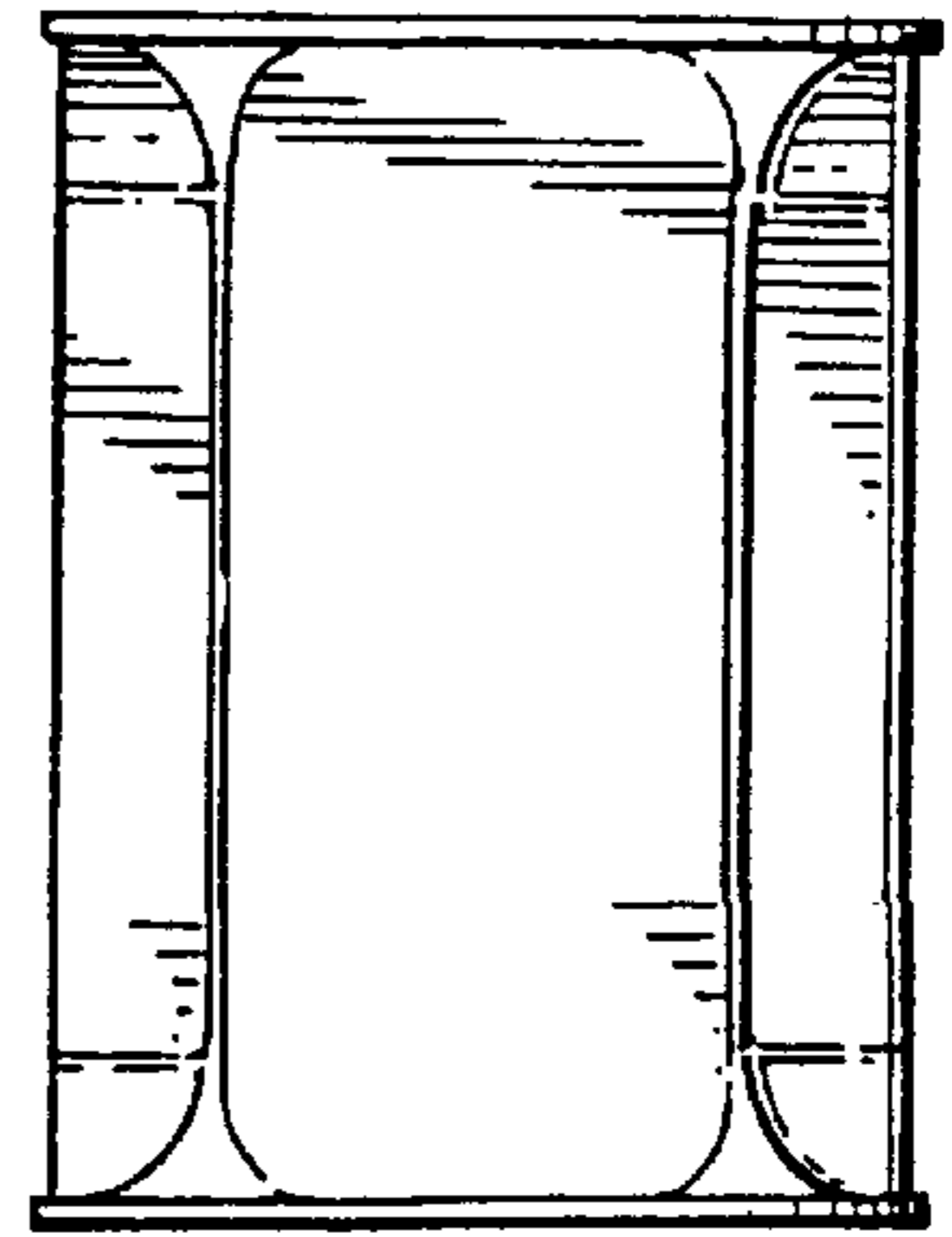


**FIG. 8**

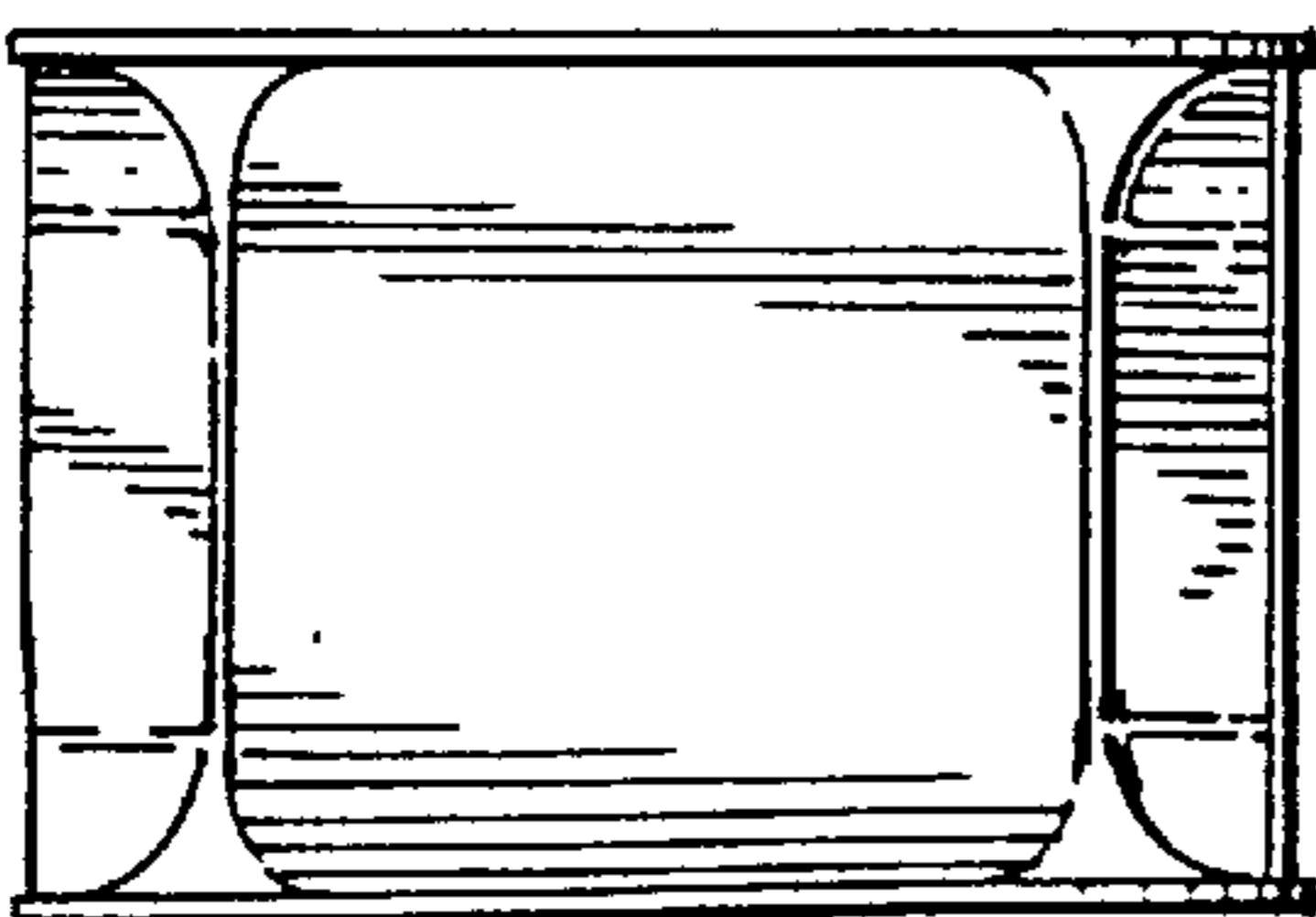




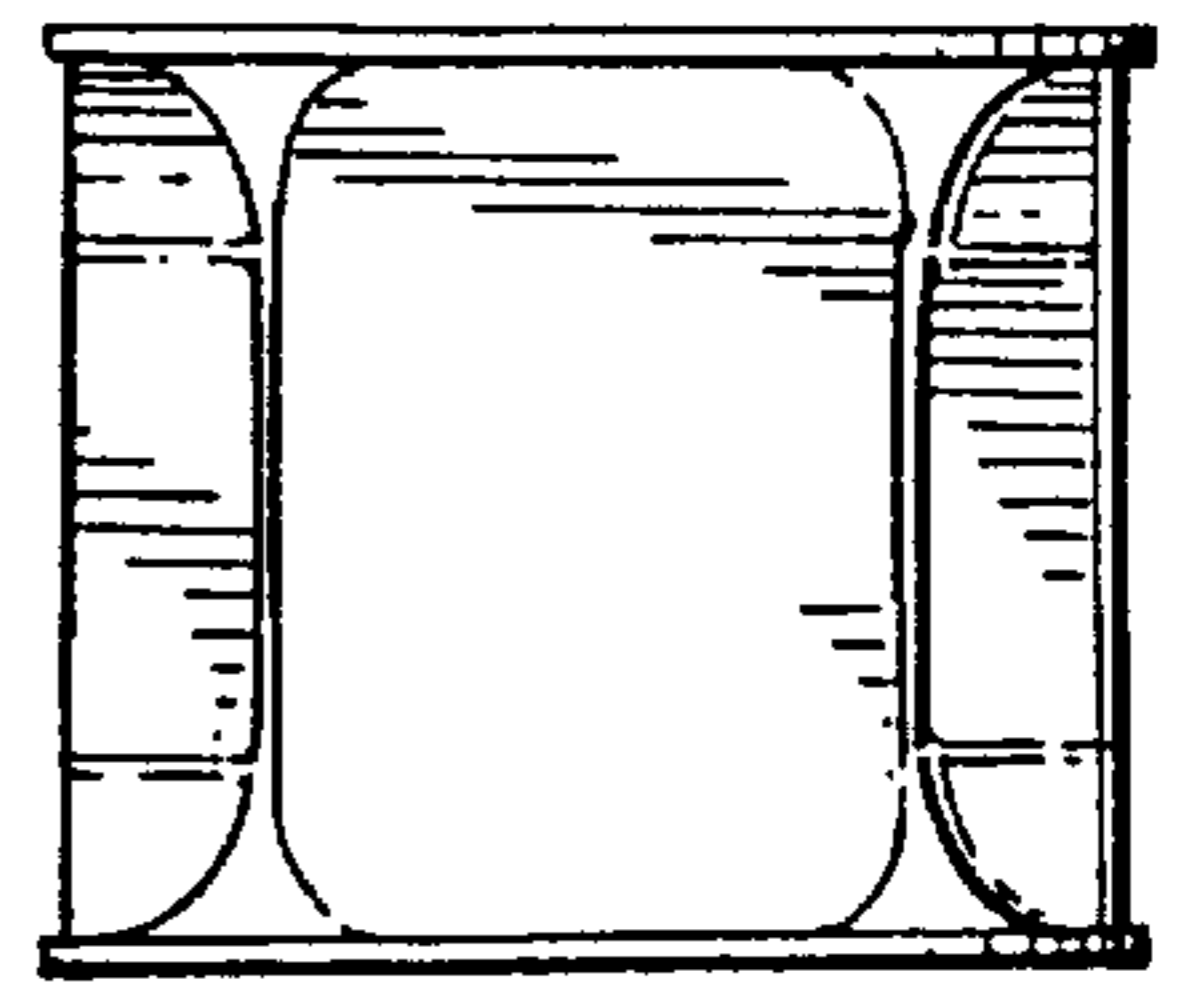
**FIG. 9**



**FIG. 10**



**FIG. 11**



**FIG. 12**